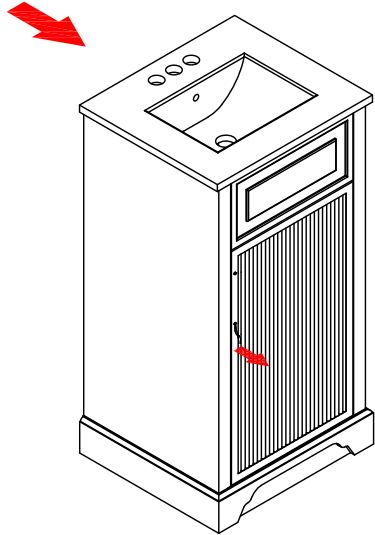


Install Handles

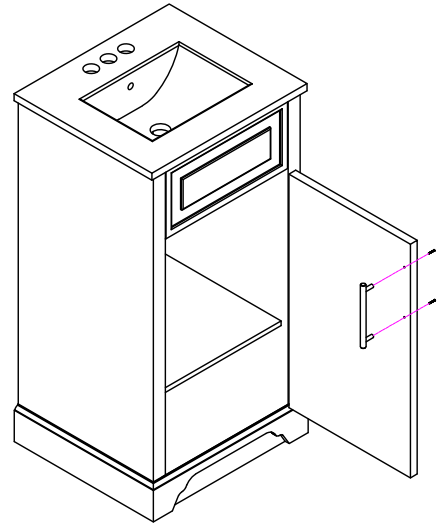
STEP 1



Please first use the rope on the screw to open the door, or push down the door from the back panel hole to open it.

STEP 2

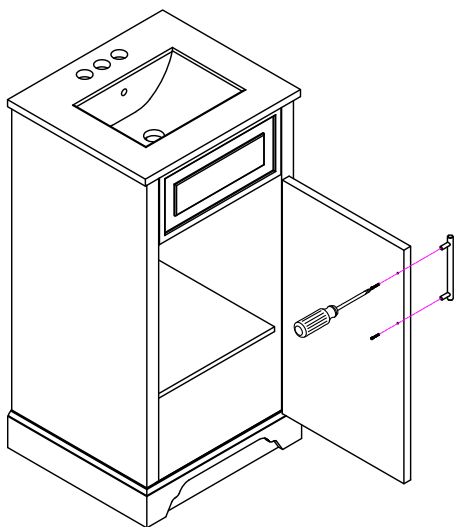
Screw Driver



UNSCREW

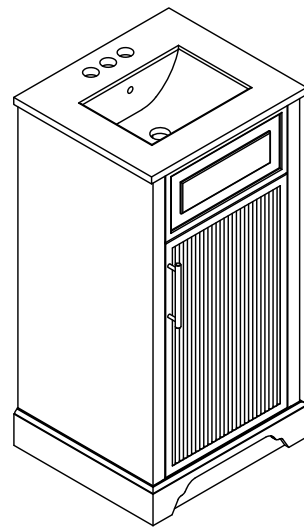
STEP 3

Screw Driver



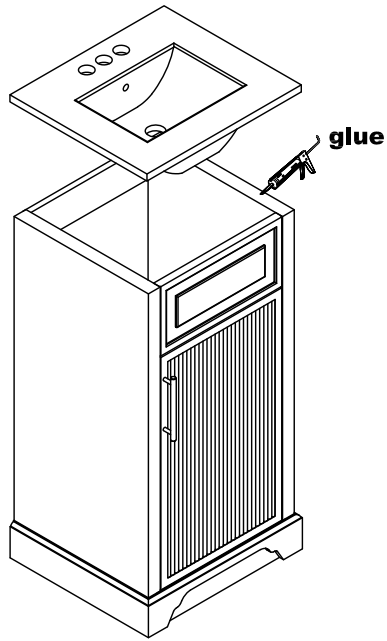
INSTALL HANDLES

STEP 4

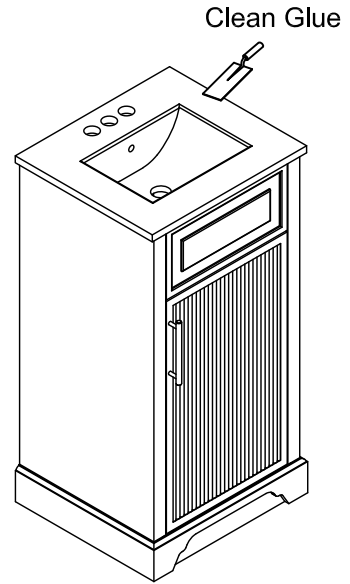


Install Basin

STEP 1



STEP 2



STEP 3



24H!

