



# XOGRILL42

PRO-GRADE 42" BUILT-IN GRILL HEAD

PUT SOME AWESOME IN YOUR BACKYARD



**XOGRILL42**

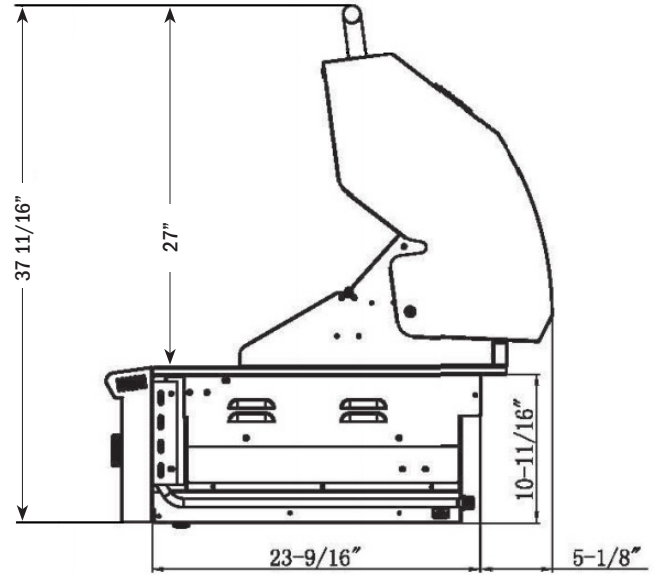
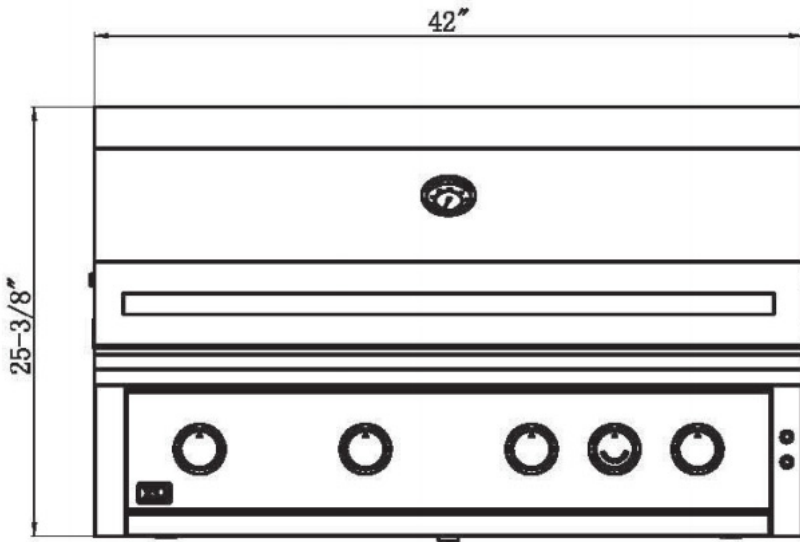
Family. Good friends. Great food. The sizzle and sear of your XO grill on a warm summer evening. These are the building blocks of memories. That's why our premium appliance experience and the learning from over 25 years of working with customers has gone into the design of every XO grill.

- 88,000 BTUS of Awesome Power
  - (1) XO Infrared VariTemp Burner (400-1000 degrees)
  - (3) Cast Stainless Steel Burners under Ceramic Briquettes
- Reliable Flame Thrower Ignition (ignites without electricity)
- Brilliant interior halogen lighting
- Blue LEDs illuminate the controls and dramatically accent your entertaining
- Easy to read temperature gauge
- Spring Assist Hood lifts effortlessly
- Rotisserie with dedicated rear burner, motor, spit rods, and forks included
- Generous capacity - 1218 square inches of cooking surface (858 primary, 360 secondary)
- Cooking Zones with removable dividers enable different temperatures side by side
- Heavy duty, 304 stainless steel grates hold the heat for strong grill marks
- 9" Deep top rack provides baking and roasting area - folds up when not in use

WORLD CLASS SERVICE | COMPREHENSIVE WARRANTIES  
**OUR LASTING COMMITMENT TO YOU**

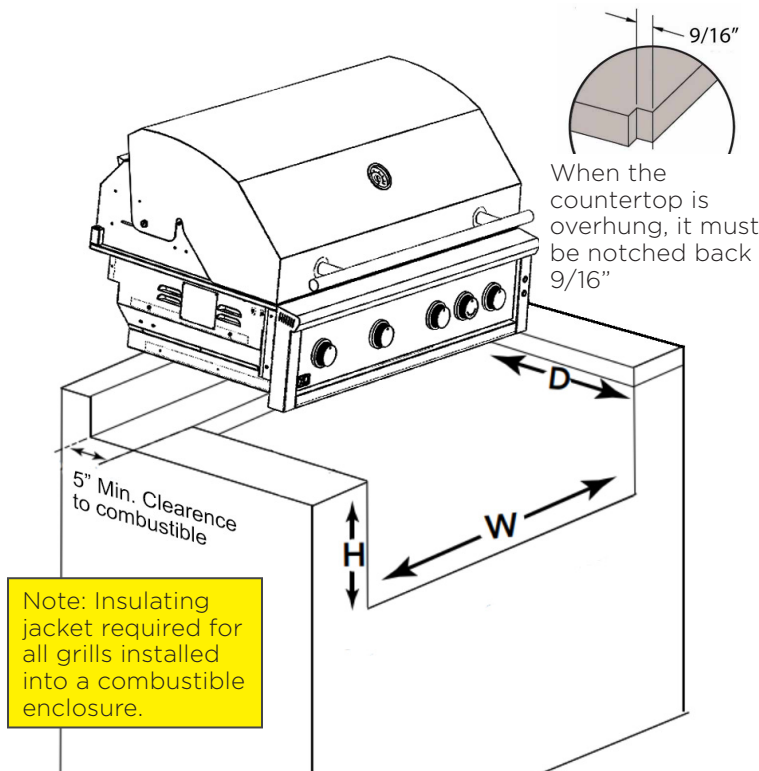
# XOGRILL42

## PRO-GRADE 42" BUILT-IN GRILL HEAD



### BUILT-IN CUT OUT

### SPECIFICATIONS



- SIZE** 42"
- DIMENSIONS** 42"W x 23 9/16"D x 23 3/8"H
- INSTALLATION TYPE** Built-in / Freestanding
- FUEL** Specify Propane or Natural Gas. For NG, XO recommends using 3/4" gas lines.
- BURNERS** Awesome Power - (1) XO Infrared VariTemp Burner and (3) Cast Stainless Steel Burners combine to provide **88,000 BTUs of power!**

**GRILLING SURFACE (SQ.IN.)**

Primary	Secondary	Total
865	360	1225

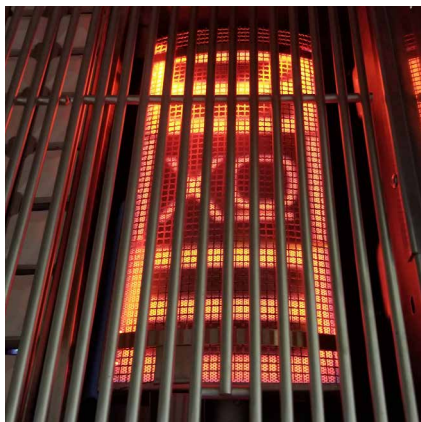
**ELECTRICAL**  
Installation requires an outdoor 120v GFI electrical outlet adjacent to product

- OPTIONAL ACCESSORIES**
- Insulated Jacket: **XOG42JACKET**
  - VariTemp IRBurner: **XOGIRBURNER**
  - 42" Built-in Cover: **XOGCOVER42BI**

**BUILT IN GRILL CUT OUT DIMENSIONS**

	Width = W	Height = H	Depth = D
XOGRILL42	40 3/4"	10 7/8"	24"
XOGRILL42 w/Insulated Jacket	43 1/4"	12"	25 3/4"

## XOGRILL42 PRODUCT FEATURES



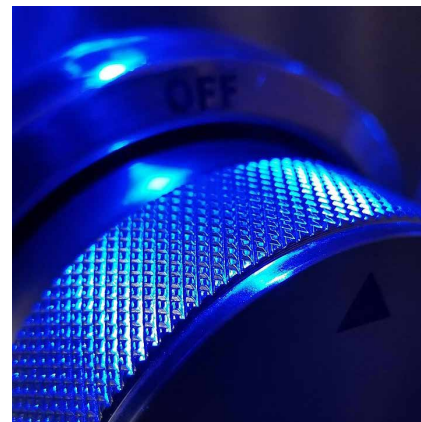
### INFRARED BURNER

XO VARITEMP BURNER RAPIDLY ADJUSTS FROM 400-1000 DEGREES



### CAST STAINLESS STEEL BURNERS

LIFETIME WARRANTIED CAST STAINLESS STEEL BURNERS, EACH DELIVER UP TO 22,000 BTUs



### INTEGRATED ILLUMINATION

LEDS DRAMATICALLY ACCENT YOUR ENTERTAINING



### 9" DEEP TOP RACK

PROVIDES BAKING AND ROASTING AREA - FOLDS UP WHEN NOT IN USE



### ROTISSERIE SYSTEM

INFRARED ROTISSERIE BURNER FOR INDIRECT COOKING



### RADIANT BRIQUETTES

CERAMIC BRIQUETTES DISTRIBUTE HEAT EVENLY, ELIMINATING HOT SPOTS AND VAPORIZE DRIPPINGS TO ADD FLAVOR



### BUILT-IN THERMOMETER

EASY TO READ TEMPERATURE GAUGE



### WELDED GRATES

HEAVY DUTY 304 STAINLESS GRATES HOLD HEAT FOR STRONG GRILL MARKS



### RELIABLE FLAME IGNITION

POSITIVE IGNITION WITHOUT AN ELECTRICAL CONNECTION