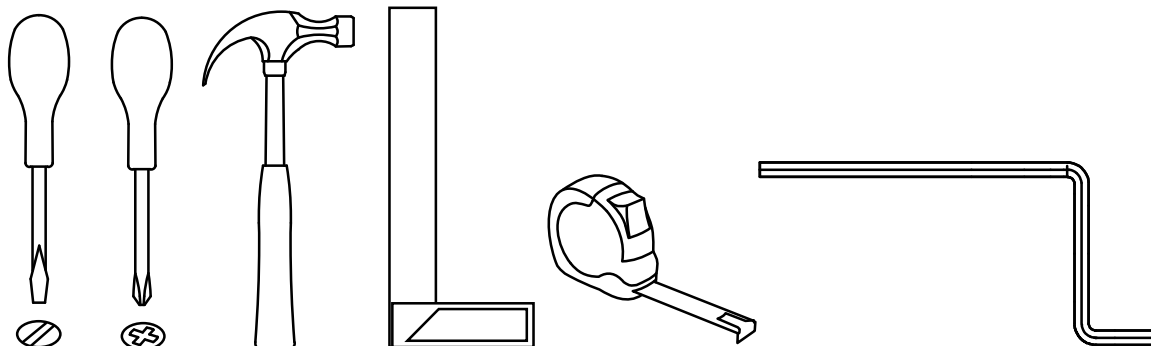


Tools needed to assemble the furniture: - Outils nécessaires pour assembler les meubles:

Werkzeuge, die für die Montage der Möbel benötigt werden: - Herramientas necesarias para armar el mueble:

Ferramentas necessárias para montar o móvel: - Strumenti necessari per assemblare il mobile:



The assembly must be done by two people.

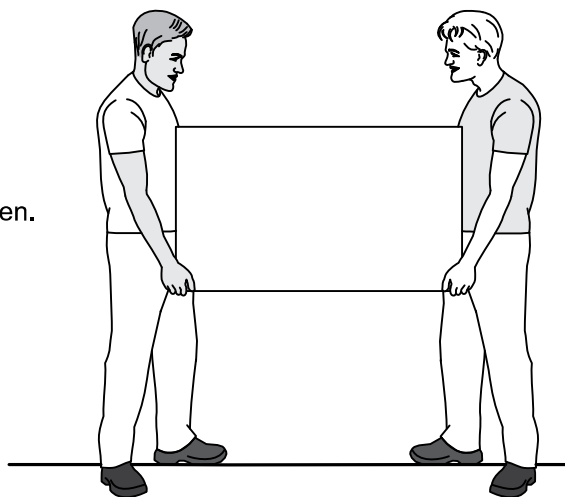
L'assemblage doit être effectué par deux personnes.

Es wird empfohlen, dass zwei Personen den Artikel montieren.

El montaje debe ser efectuado por dos personas.

A montagem deve ser efetuada por duas pessoas.

Il montaggio deve essere effettuato da due persone.



This product contains small parts, please, keep out of reach of children.

Ce produit contient de petites pièces, s'il vous plaît, à conserver hors de portée des enfants.

Bitte halten Sie kleine Teile außerhalb der Reichweite von Kindern.

Este producto contiene piezas pequeñas, mantener fuera del alcance de los niños.

Este produto contém peças pequenas, por favor, mantenha fora do alcance das crianças.

Questo prodotto contiene piccole parti, si prega di tenerle fuori dalla portata dei bambini.



In case of doubt, compare the hardware with the full-size images below.

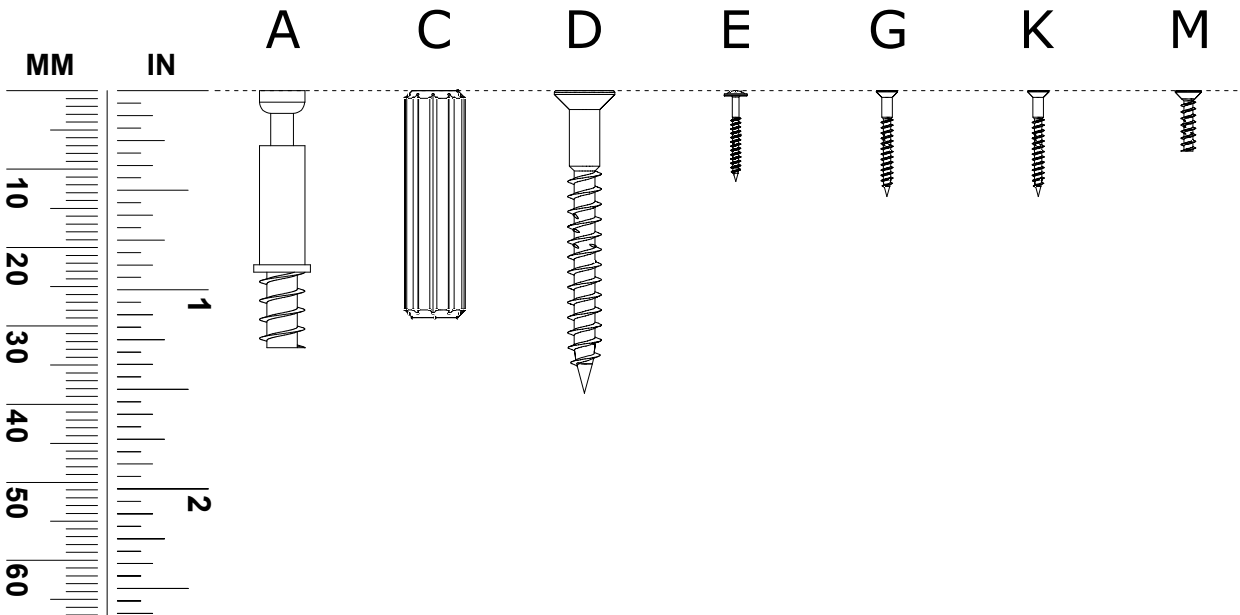
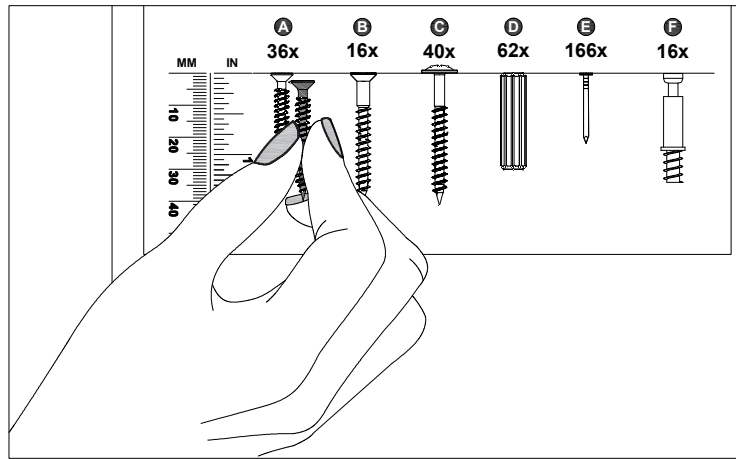
En cas de doute, veuillez comparer le matériel avec les images en taille réelle ci-dessous.

Vergleichen Sie im Zweifelsfall die Schrauben mit den Abbildungen in Originalgröße.

En caso de dudas, compare las herrajes con las imágenes a seguir en tamaño real.

Em caso de dúvida, compare as ferragens com as imagens abaixo em tamanho real.

In caso di dubbio, confronta le ferramenta con le immagini sottostanti a grandezza reale.



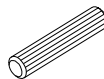
A x 52



B x 52



C x 66



D x 14



E x 54



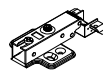
F x 24



G x 24



H x 8



J x 4



K x 52



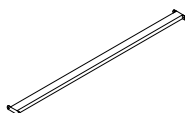
L x 2



M x 24

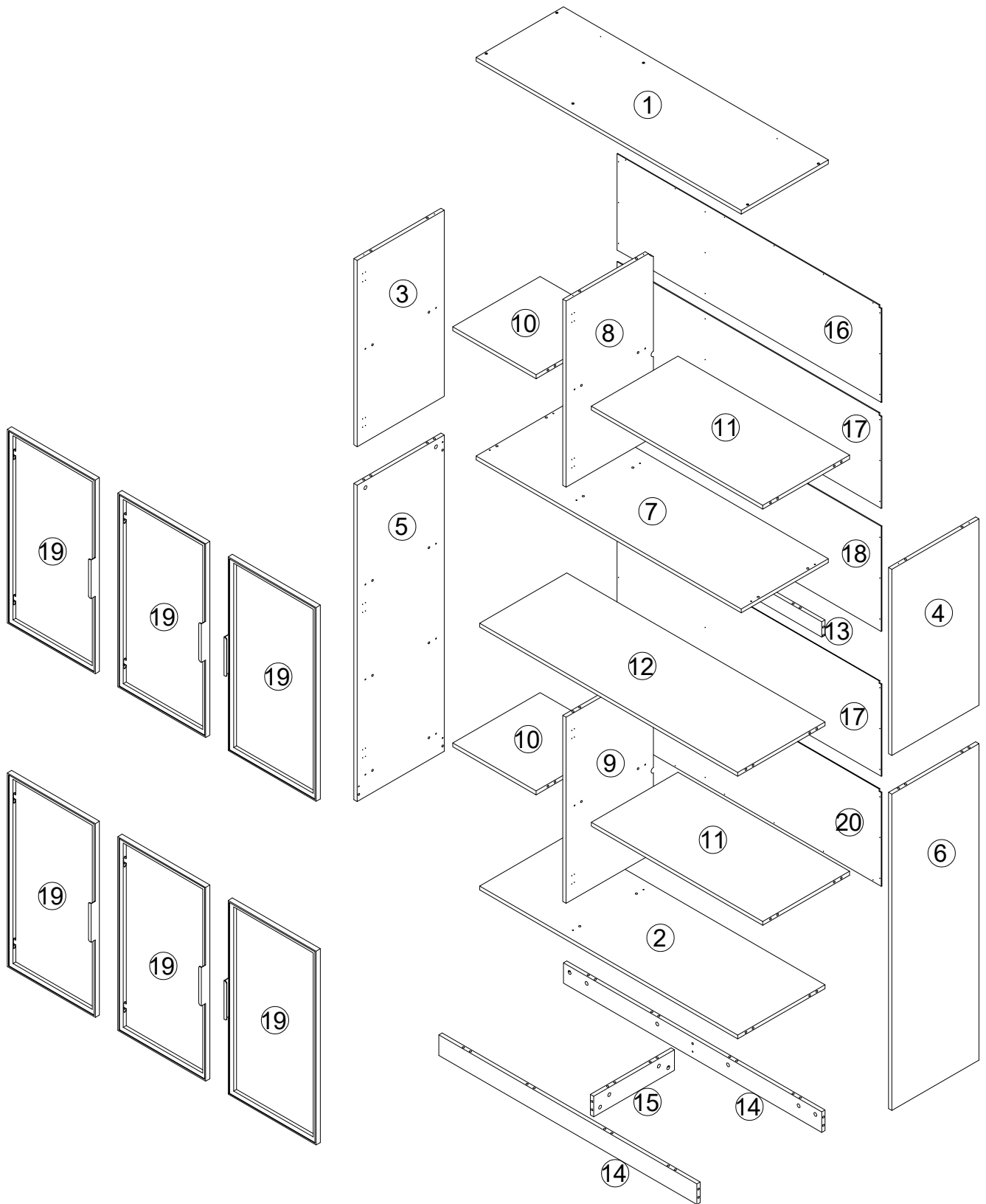


N x 1



P x 1





ATTENTION - AVERTISSEMENT - ACHTUNG - ATENCIÓN - ATENÇÃO - ATTENZIONE

Assemble the furniture on a clean and flat surface and cover it with the cardboard of the packaging.

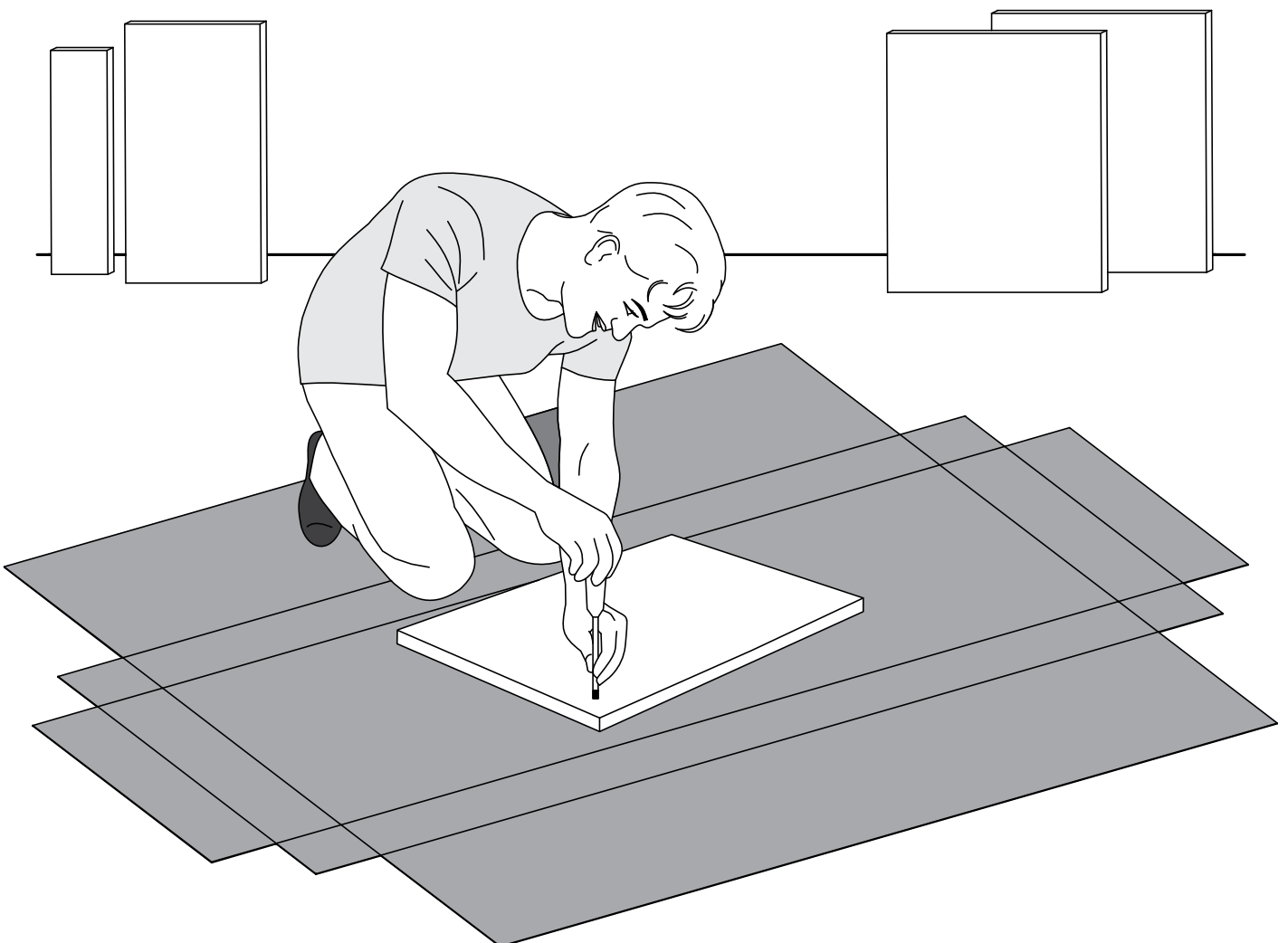
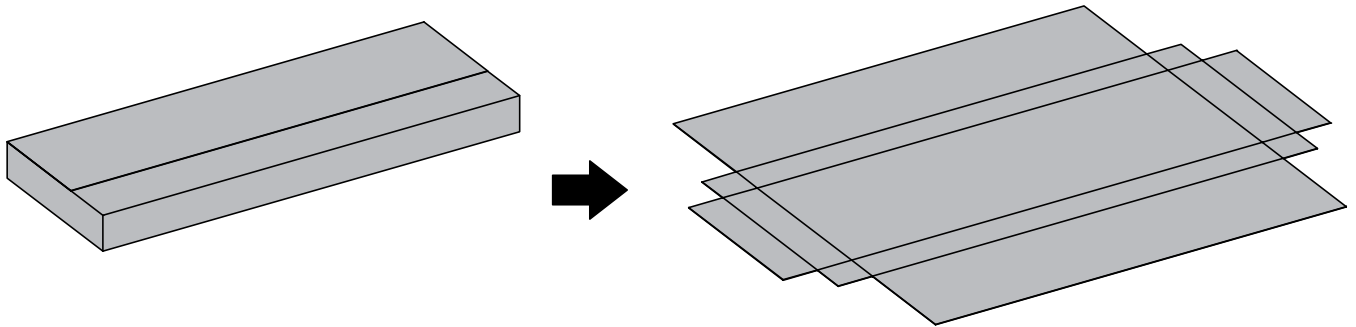
Assemblez le meuble sur une surface propre et plane et couvrez-le avec le carton de l'emballage du produit.

Um Beschädigungen zu vermeiden, montieren Sie den Artikel auf einer weichen, sauberen Unterlage.
Tipp: Legen Sie den Artikel auf dem Verpackungskarton.

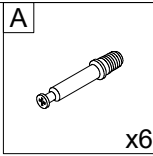
Montar el mueble sobre una superficie limpia y plana y cubrirlo con el cartón del embalaje del producto.

Montar o móvel sobre uma superfície limpa e plana e forrá-la com o papelão da embalagem do produto.

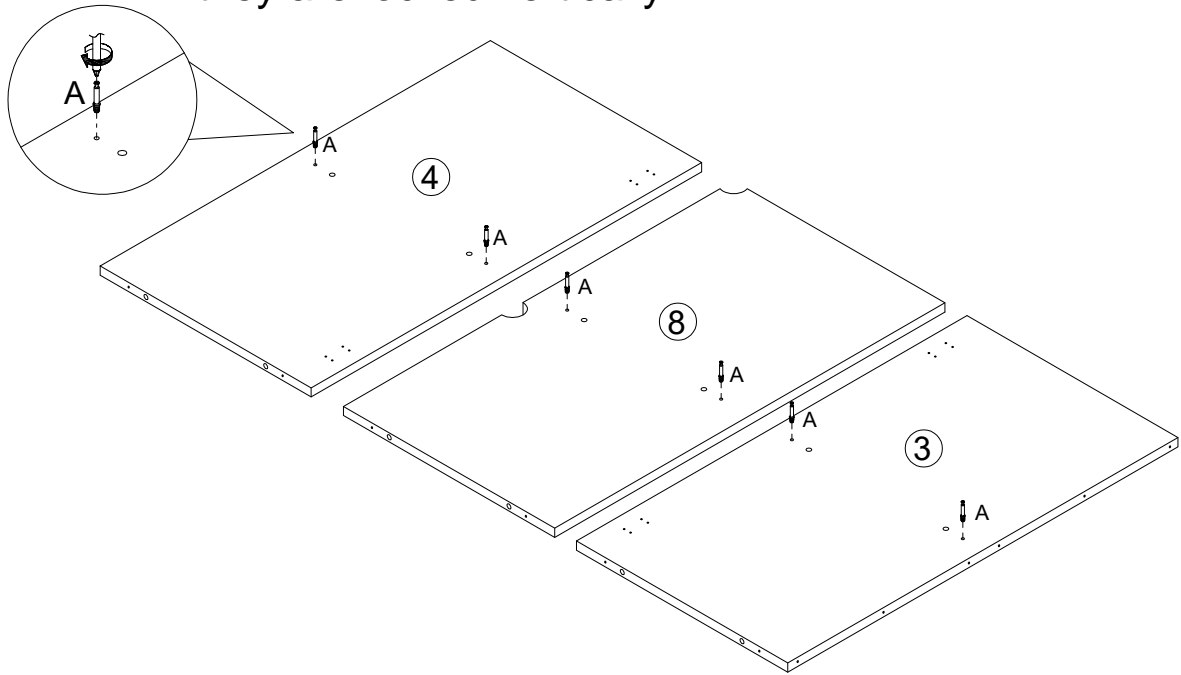
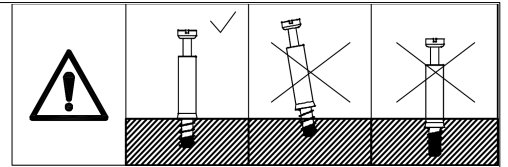
Montare il mobile su una superficie pulita e piana e rivestirla con il cartone d'imballaggio del prodotto.



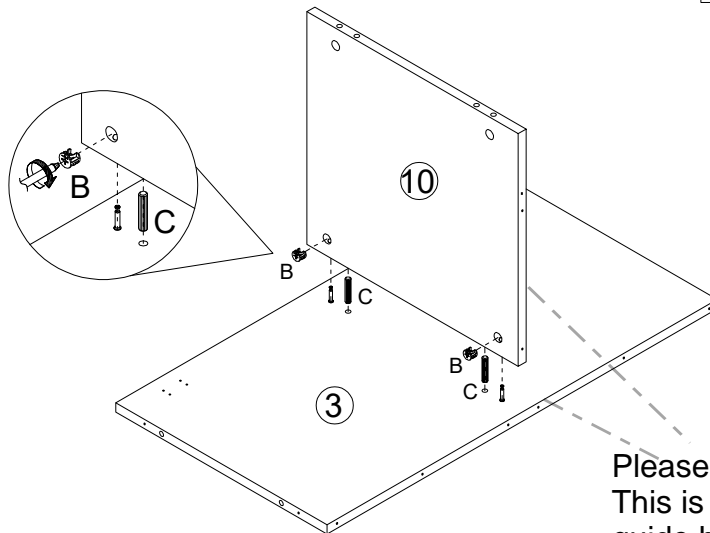
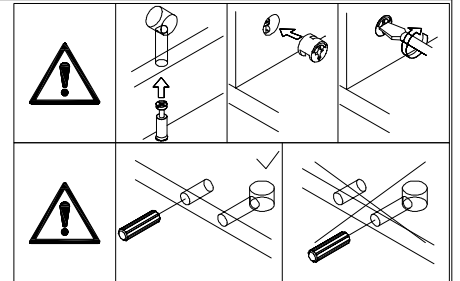
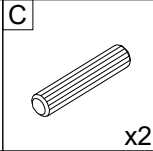
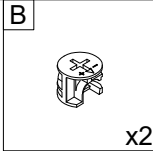
1



Tighten the screws (A) into the corresponding holes in parts 3, 4, and 8 ensuring they are locked vertically.

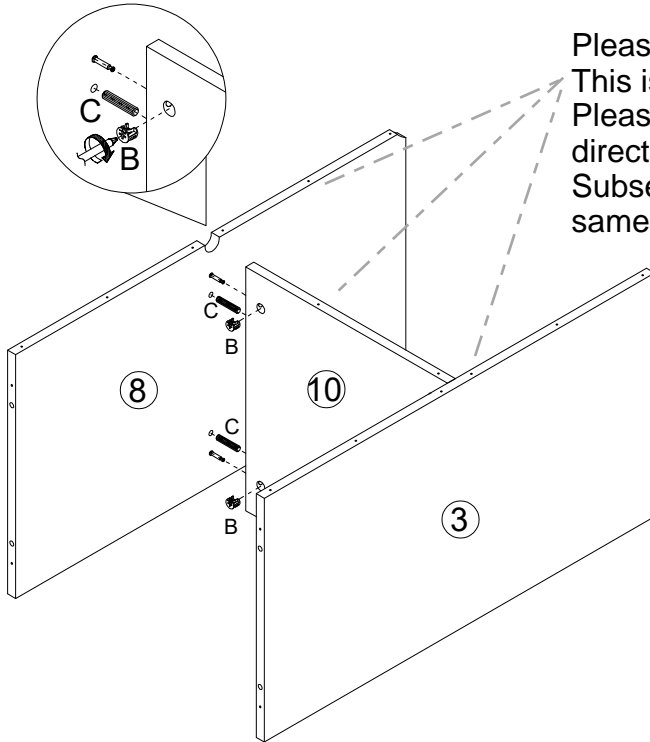
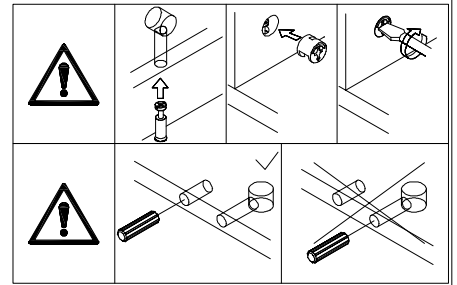
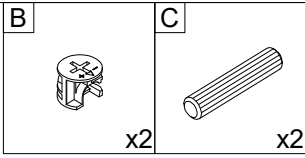


2



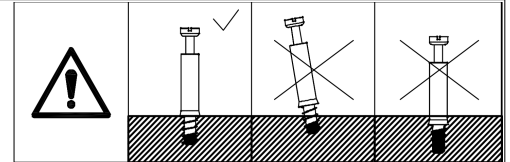
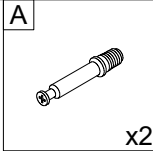
Please note:
This is the backplane mounting guide hole. Please ensure that it is facing the same direction during installation.
Subsequent installations should follow the same orientation.

3

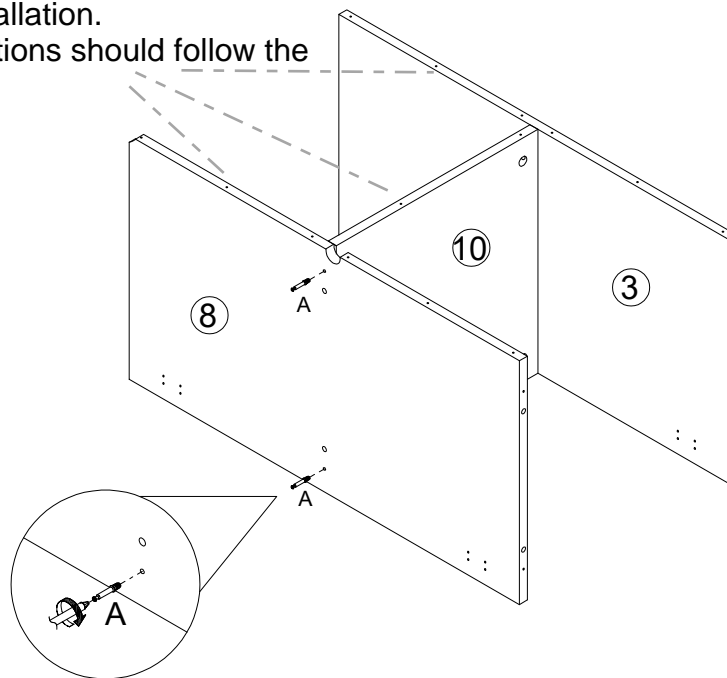


Please note:
This is the backplane mounting guide hole.
Please ensure that it is facing the same
direction during installation.
Subsequent installations should follow the
same orientation.

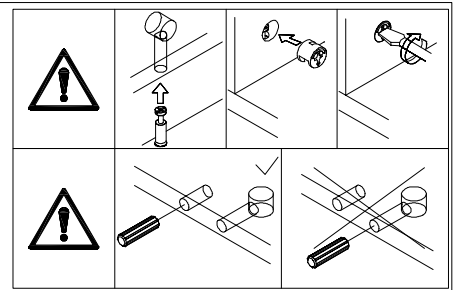
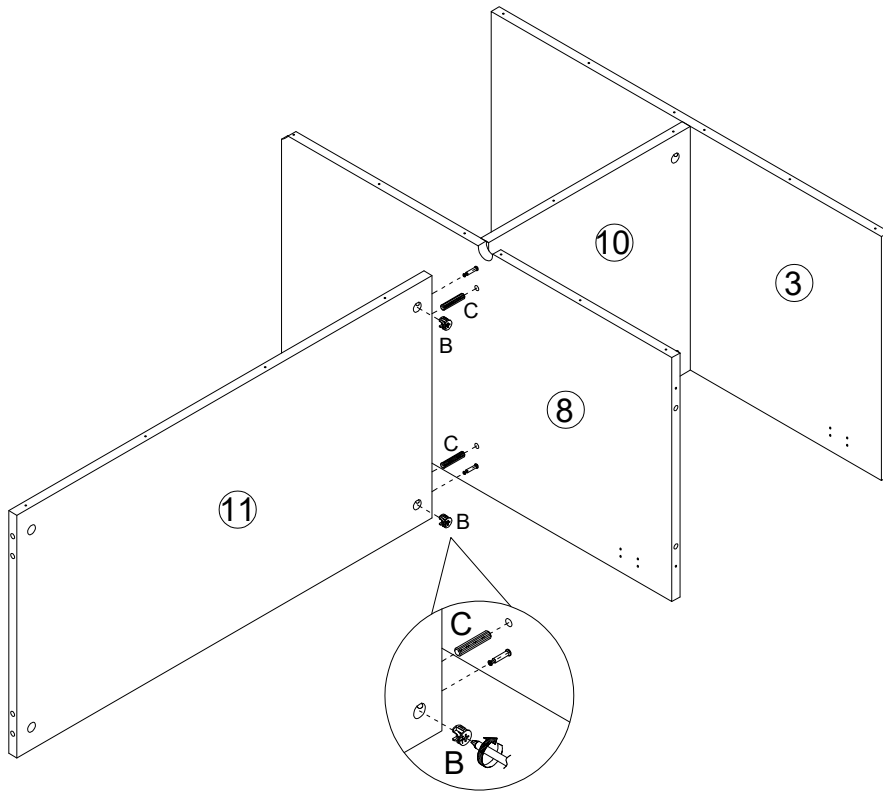
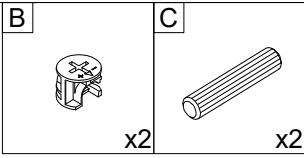
4



Please note:
This is the backplane mounting guide hole.
Please ensure that it is facing the same
direction during installation.
Subsequent installations should follow the
same orientation.

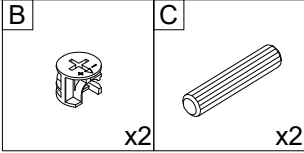


5

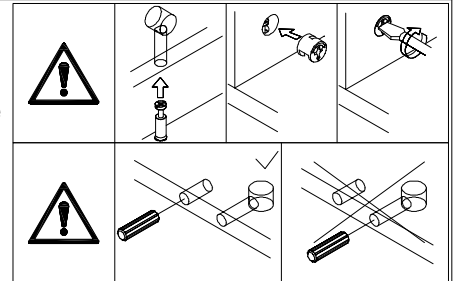
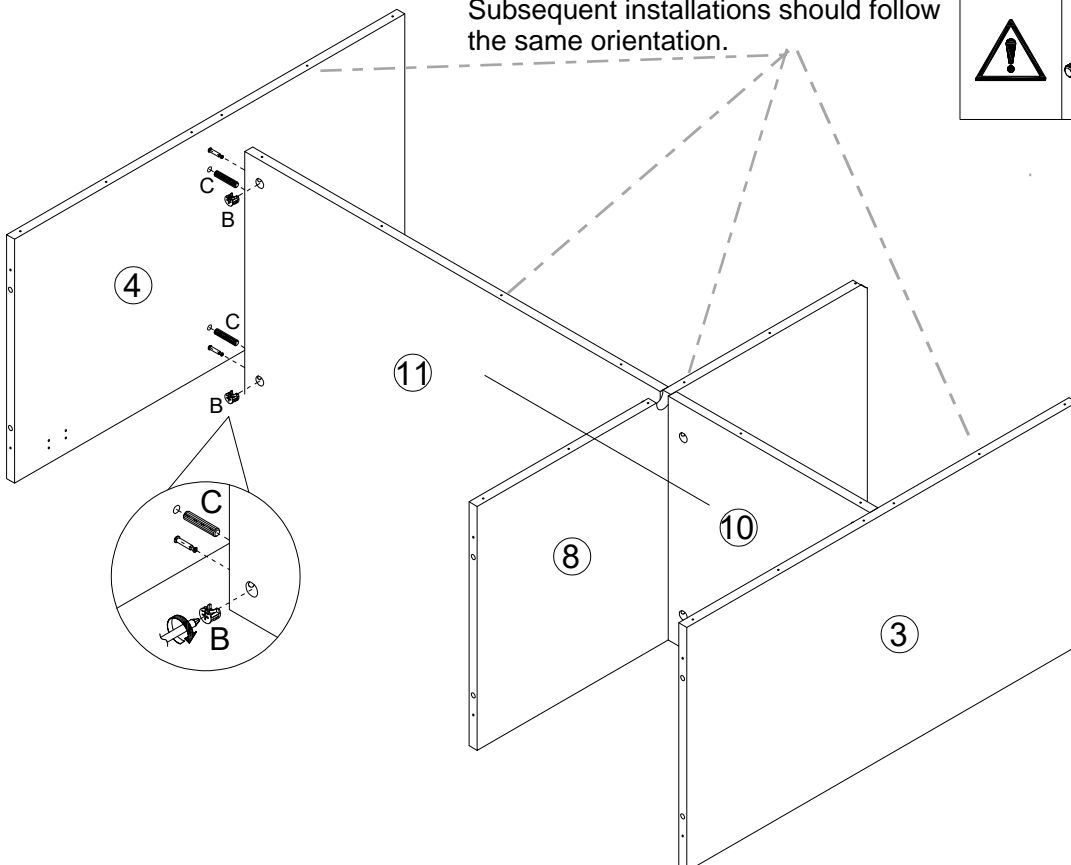


Please note:
Please ensure that it is facing the same direction during installation.
Subsequent installations should follow the same orientation.

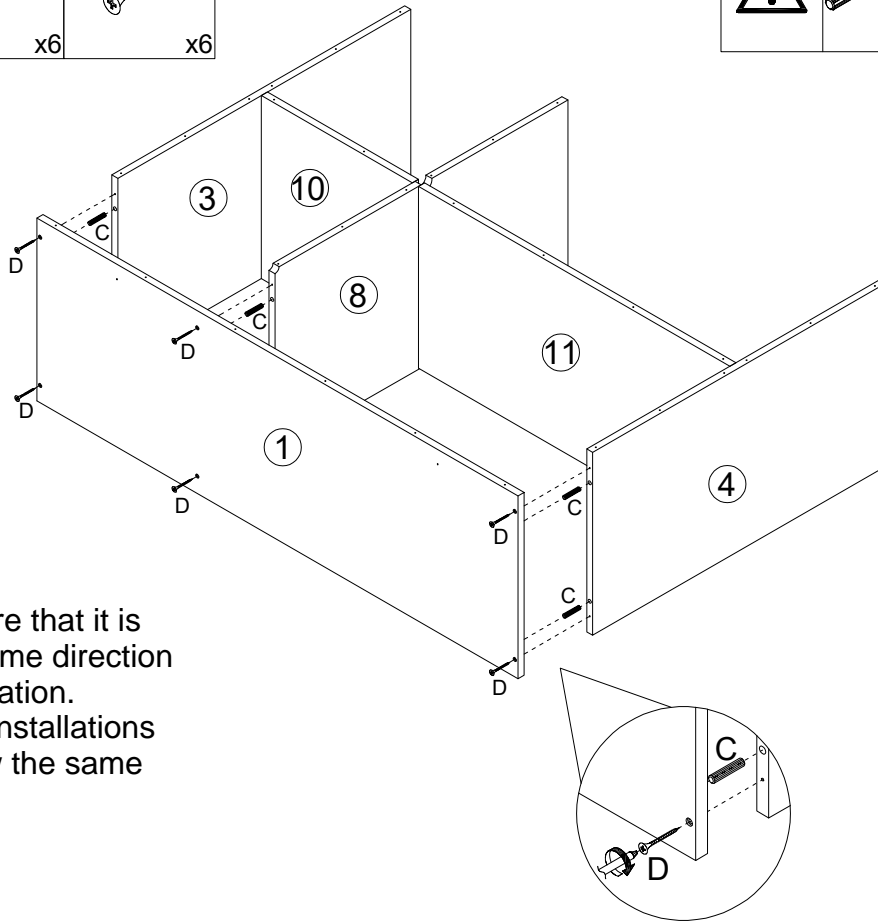
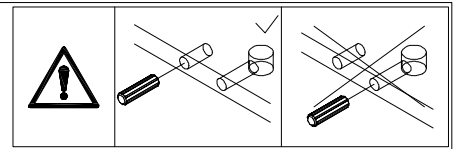
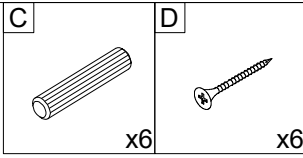
6



Please note:
This is the backplane mounting guide hole. Please ensure that it is facing the same direction during installation.
Subsequent installations should follow the same orientation.

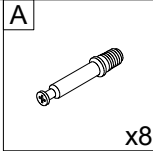


7

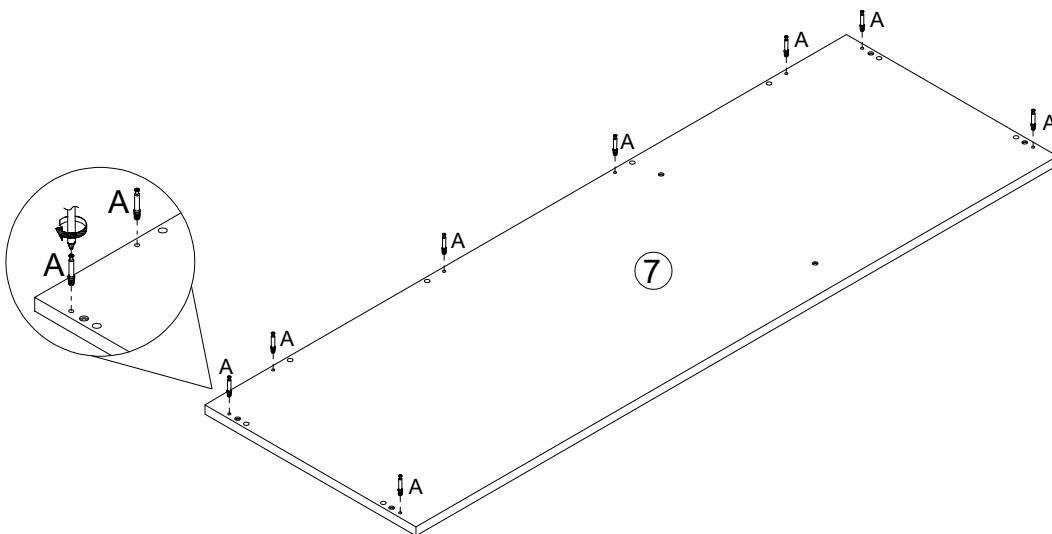
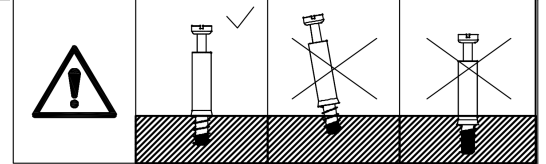


Please note:
Please ensure that it is facing the same direction during installation.
Subsequent installations should follow the same orientation.

8

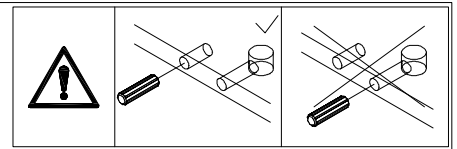
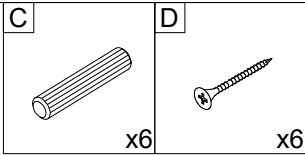


Tighten the screws (A) into the corresponding holes in part 7 ensuring they are locked vertically.

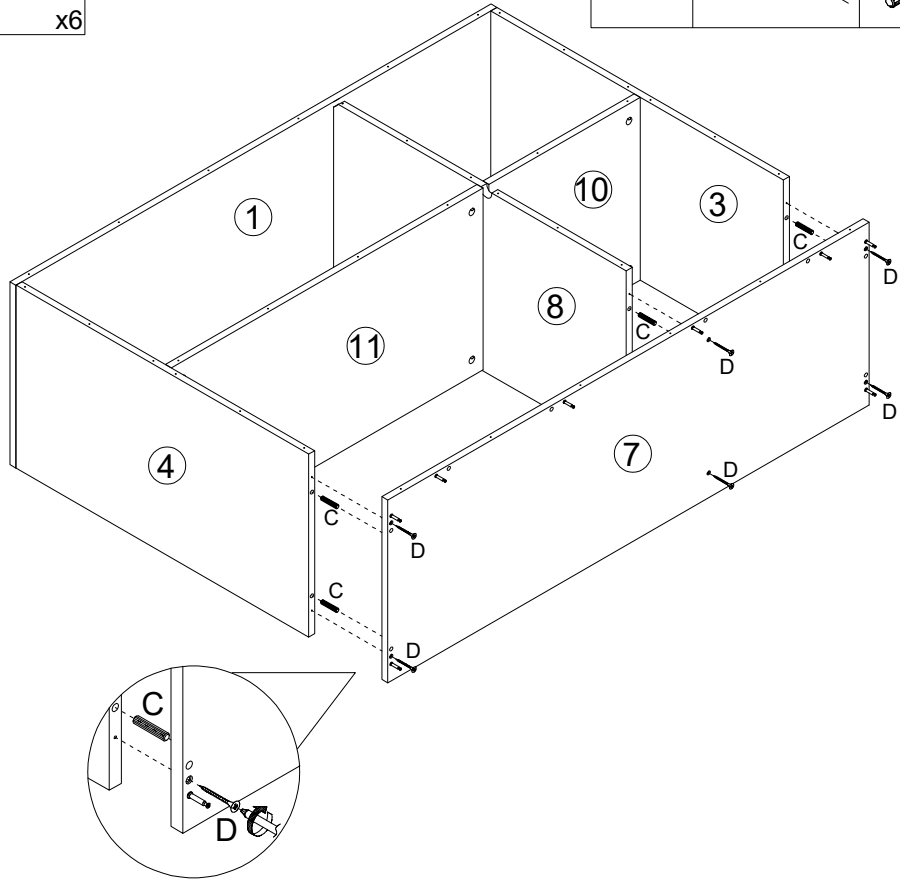


9

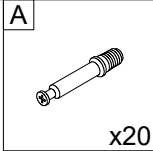
9



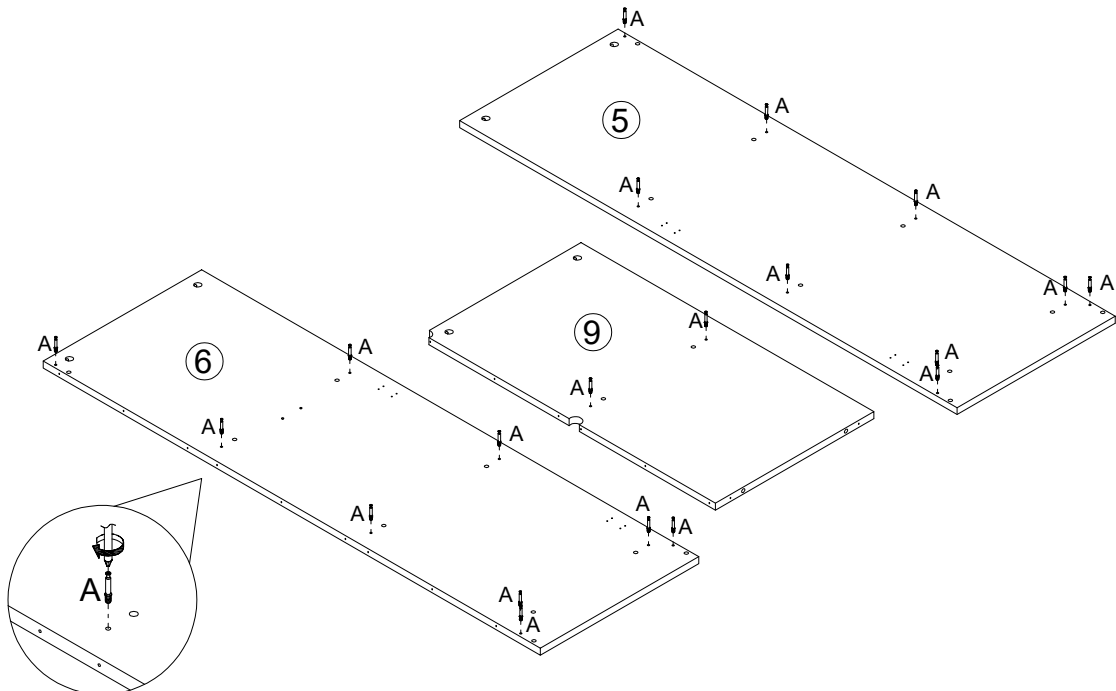
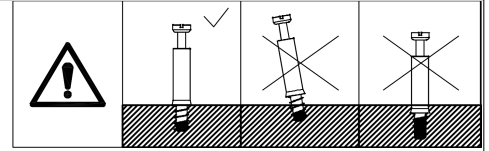
Please note:
Please ensure that it is facing the same direction during installation.
Subsequent installations should follow the same orientation.



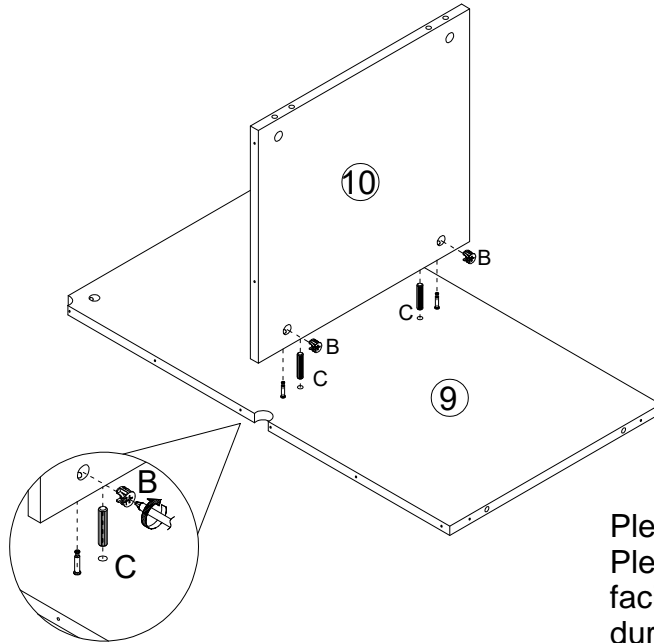
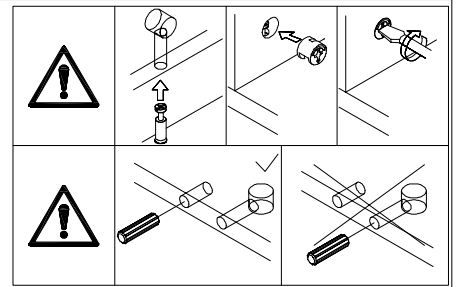
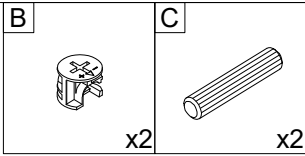
10



Tighten the screws (A) into the corresponding holes in parts 5, 6, and 9 ensuring they are locked vertically.

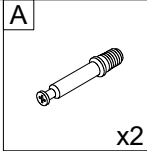


11

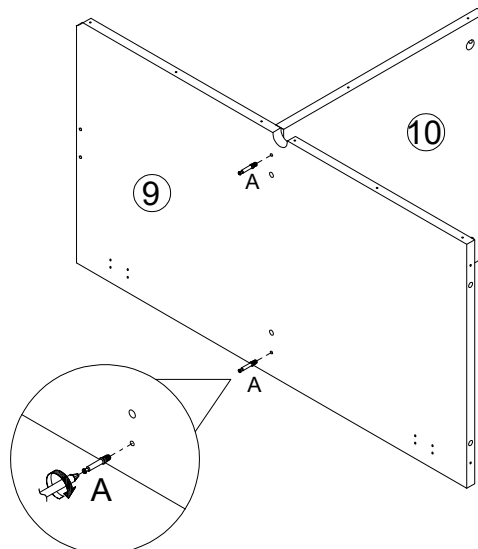
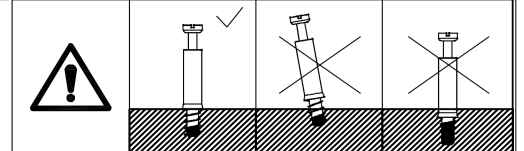


Please note:
Please ensure that it is facing the same direction during installation.
Subsequent installations should follow the same orientation.

12

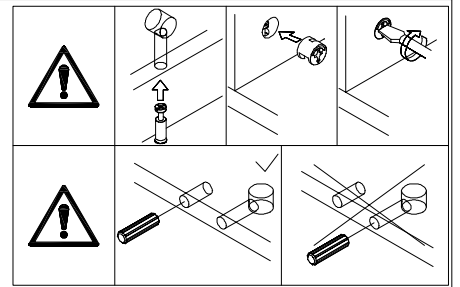
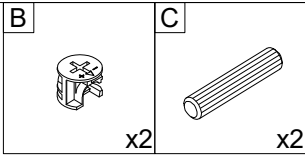


Tighten the screws (A) into the corresponding holes in part 9 ensuring they are locked vertically.

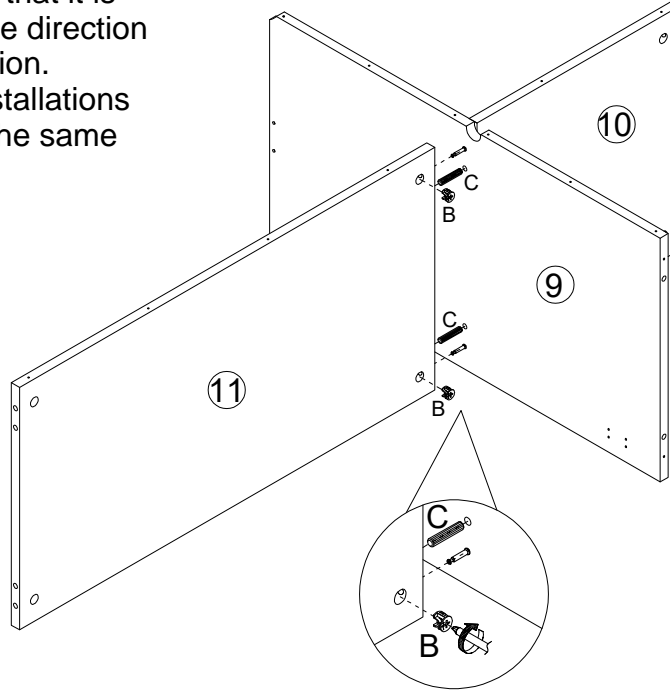


Please note:
Please ensure that it is facing the same direction during installation.
Subsequent installations should follow the same orientation.

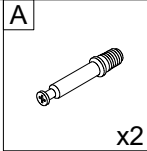
13



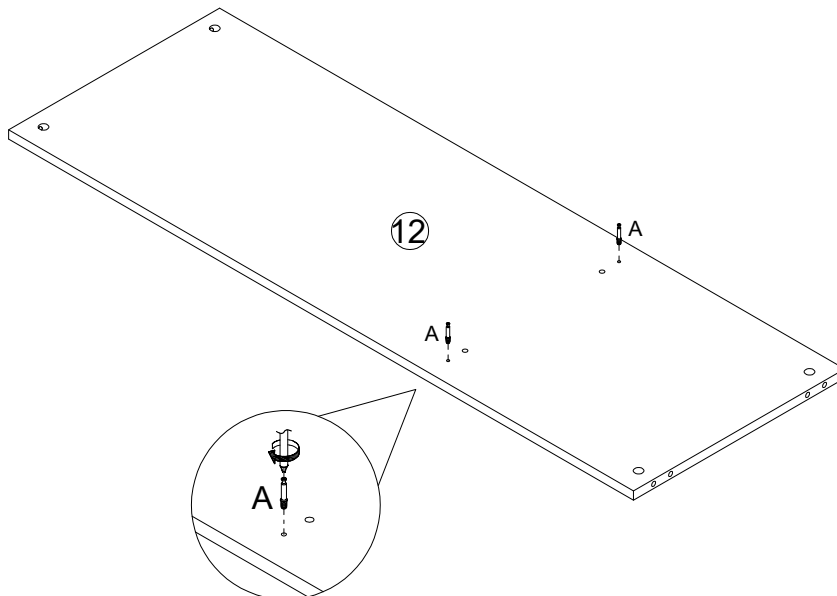
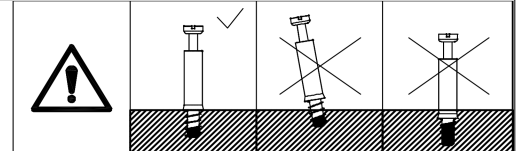
Please note:
Please ensure that it is facing the same direction during installation.
Subsequent installations should follow the same orientation.



14

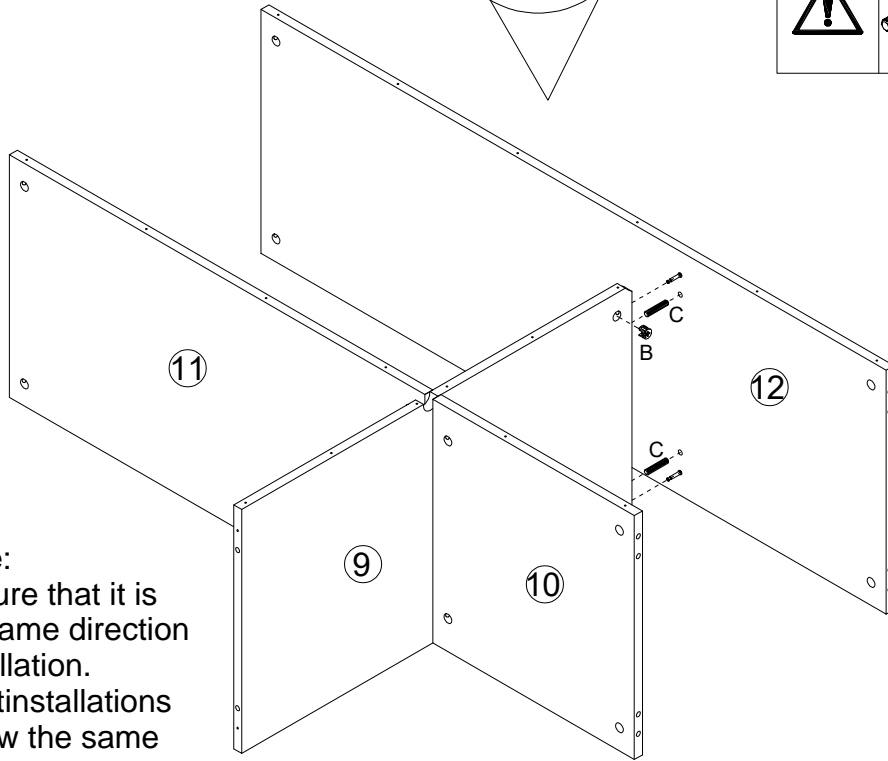
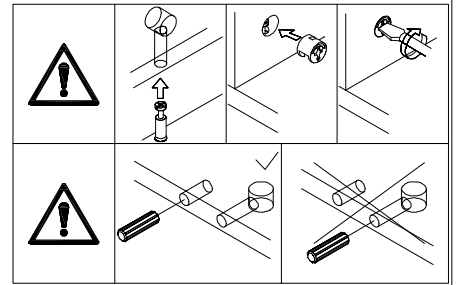
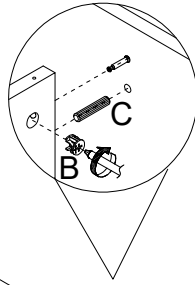
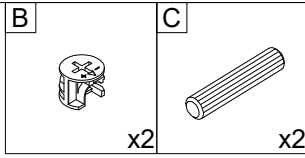


Tighten the screws (A) into the corresponding holes in part 12 ensuring they are locked vertically.



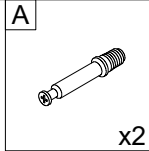
12

15

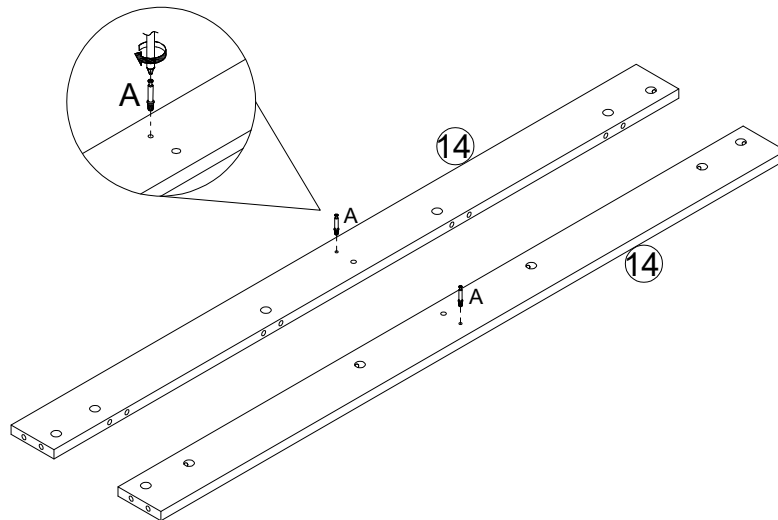
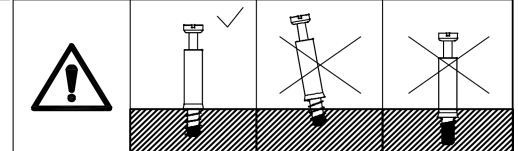


Please note:
Please ensure that it is facing the same direction during installation.
Subsequent installations should follow the same orientation.

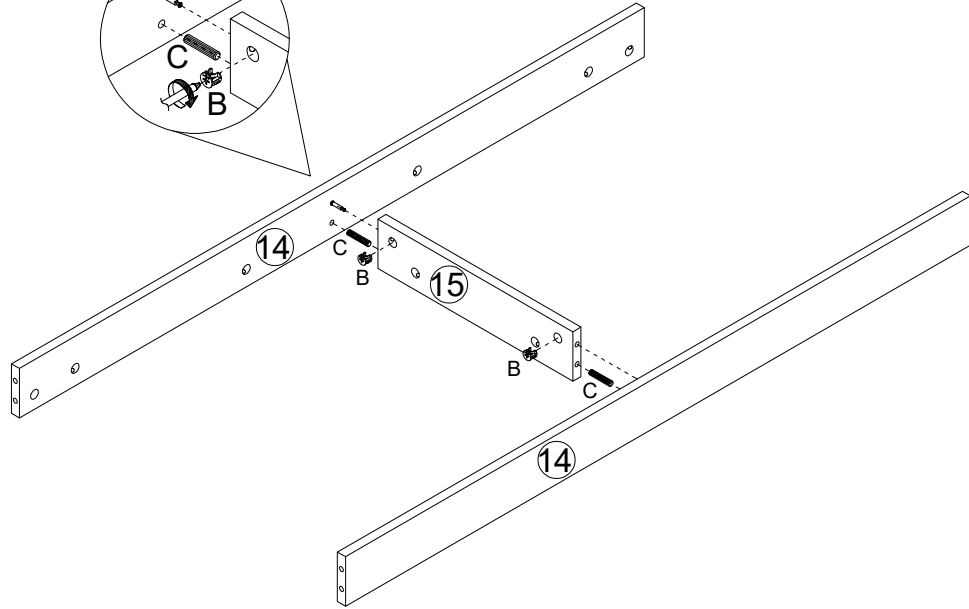
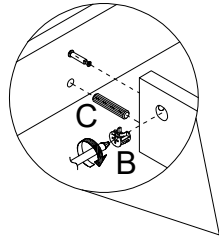
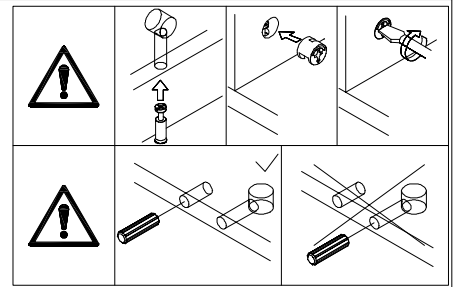
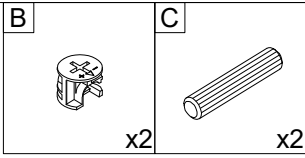
16



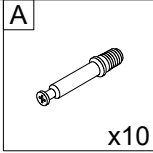
Tighten the screws (A) into the corresponding holes in parts 4 and 14 ensuring they are locked vertically.



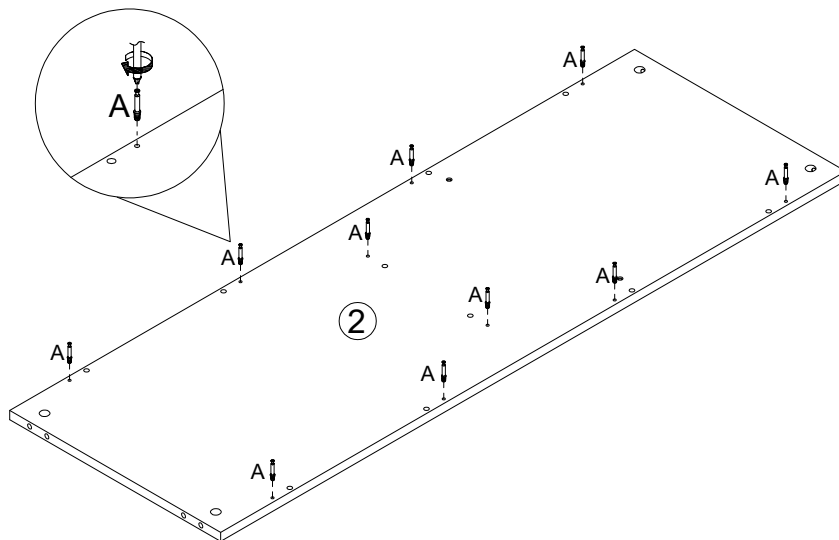
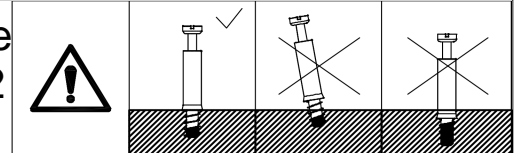
17



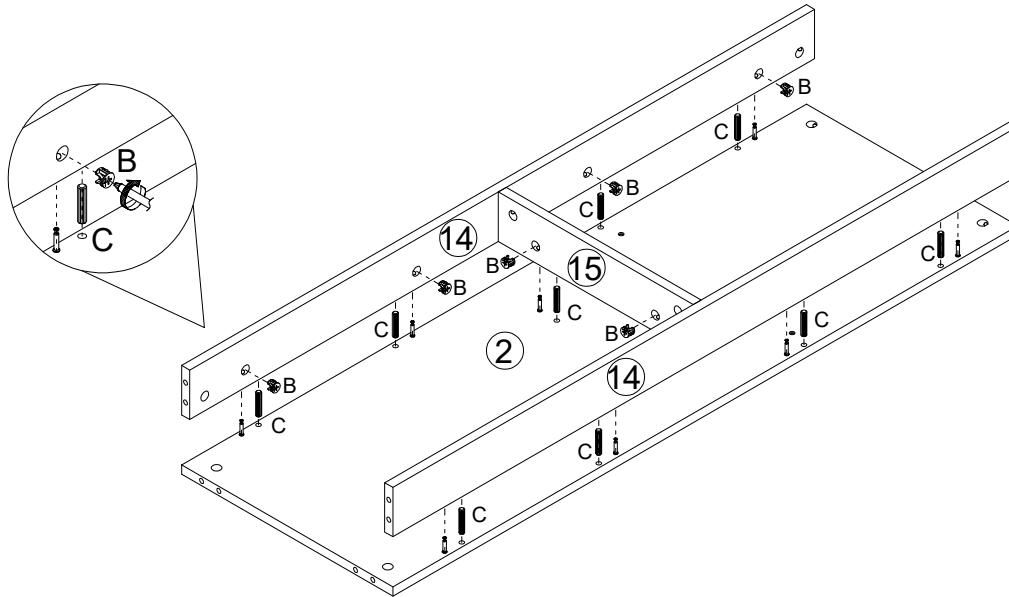
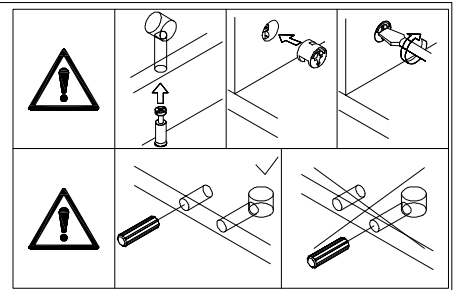
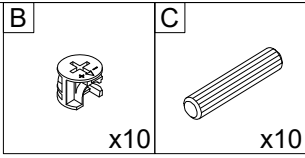
18



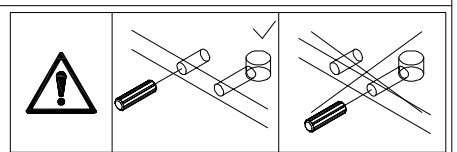
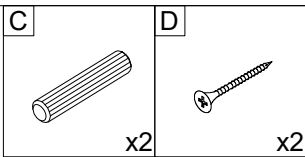
Tighten the screws (A) into the corresponding holes in parts 2 ensuring they are locked vertically.



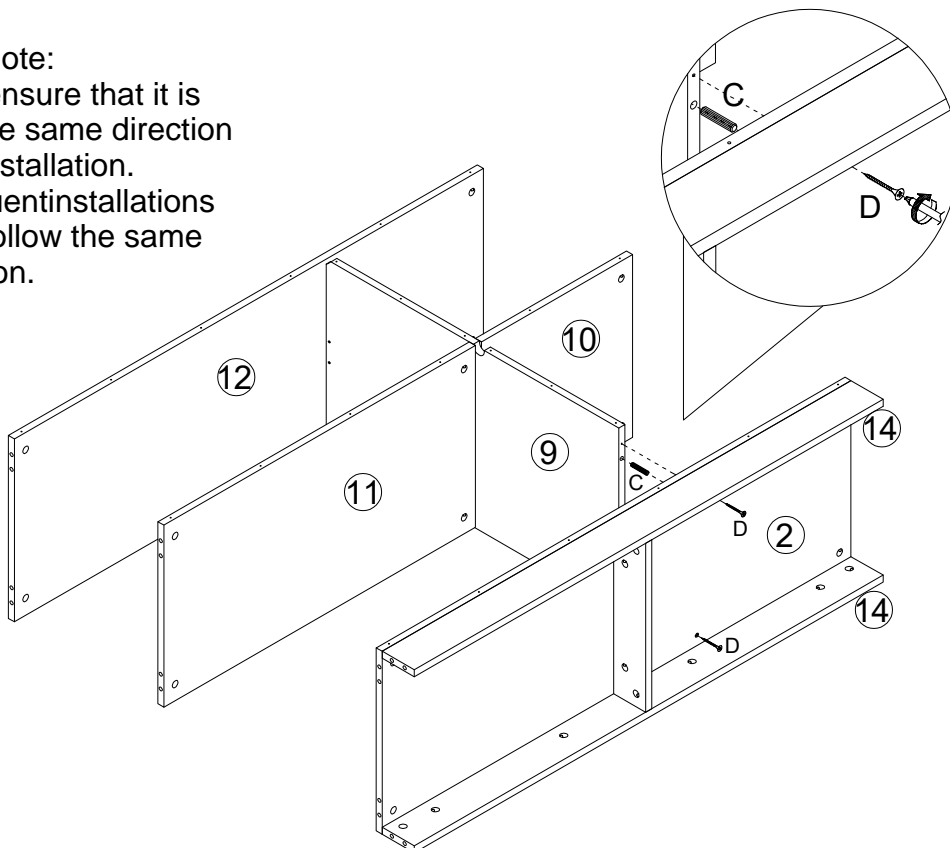
19



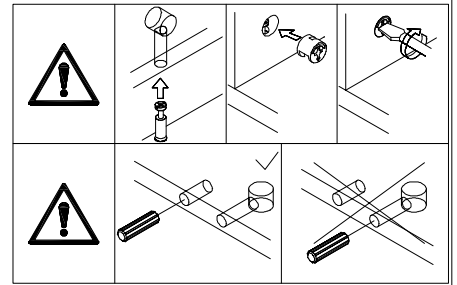
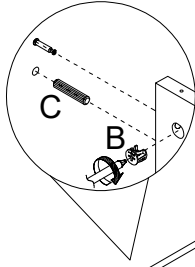
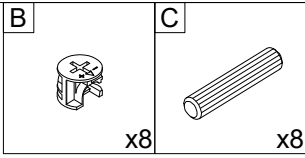
20



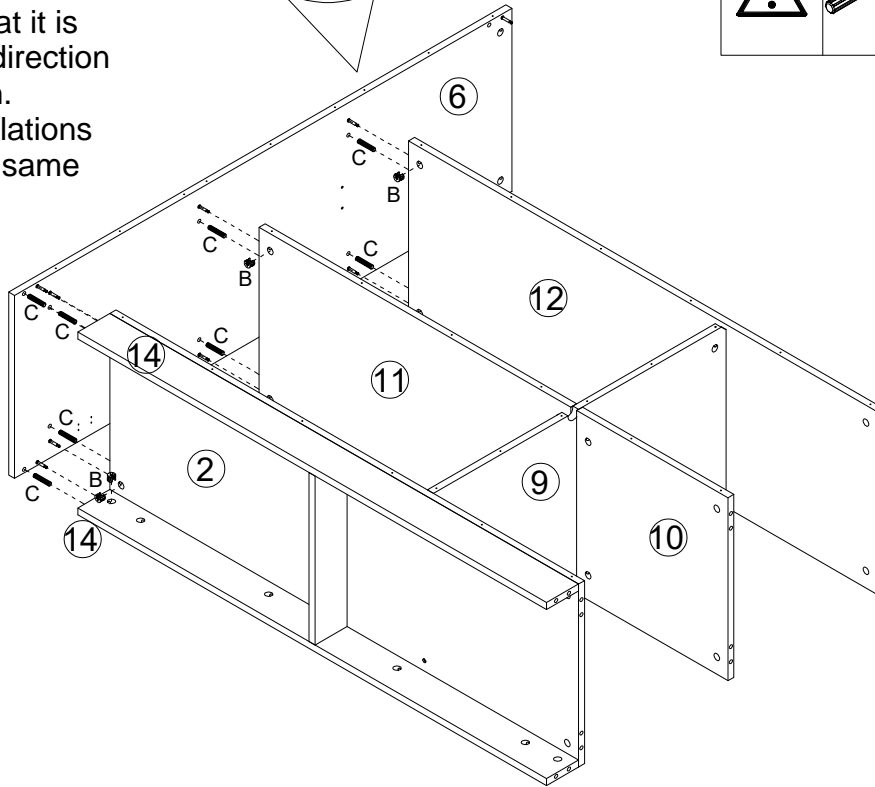
Please note:
Please ensure that it is facing the same direction during installation.
Subsequent installations should follow the same orientation.



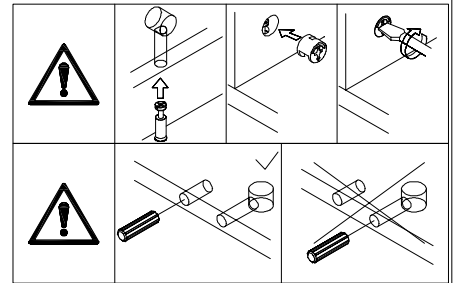
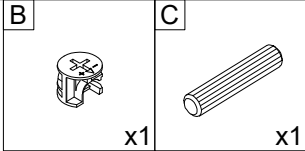
21



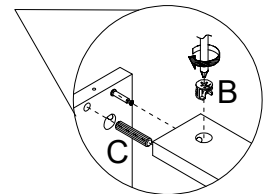
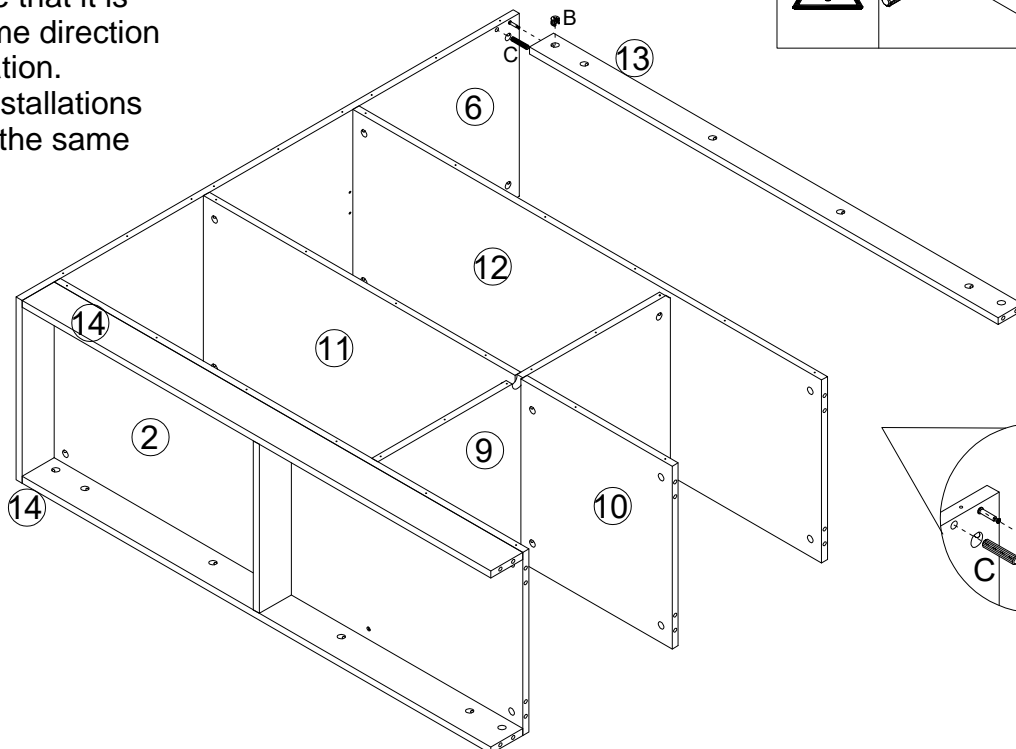
Please note:
Please ensure that it is facing the same direction during installation.
Subsequent installations should follow the same orientation.



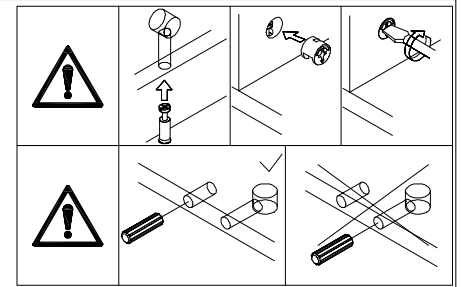
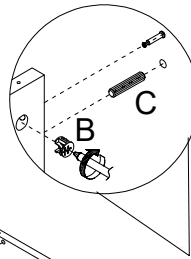
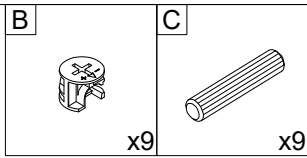
22



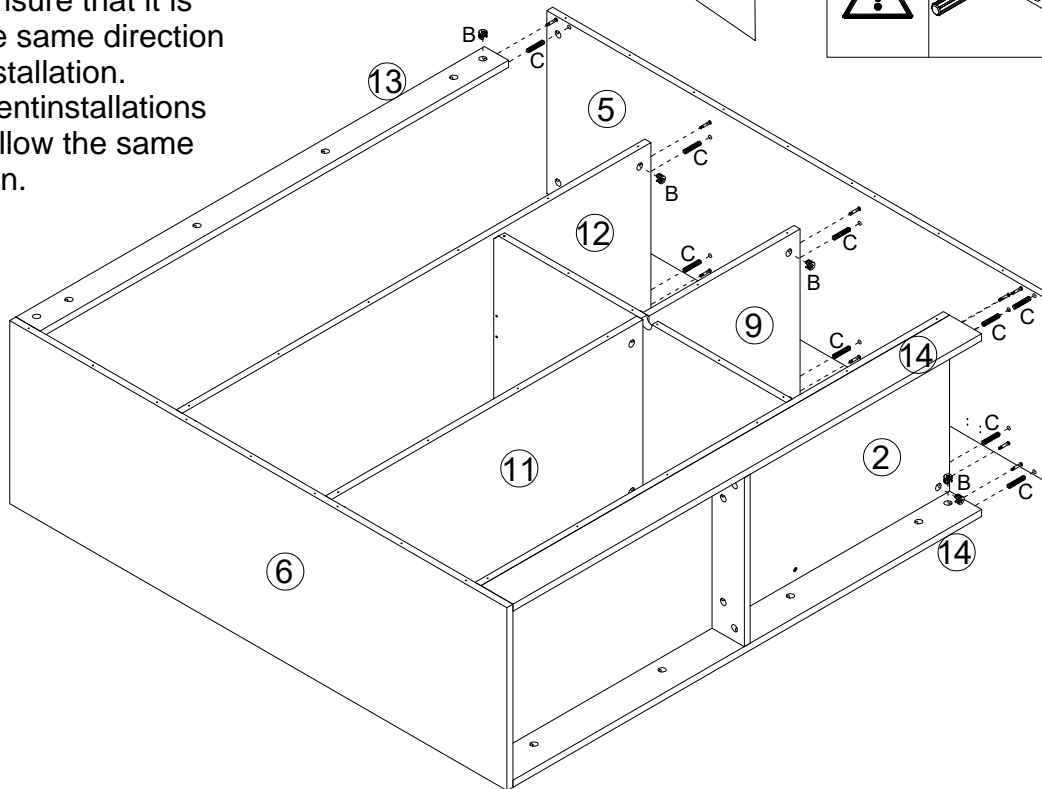
Please note:
Please ensure that it is facing the same direction during installation.
Subsequent installations should follow the same orientation.



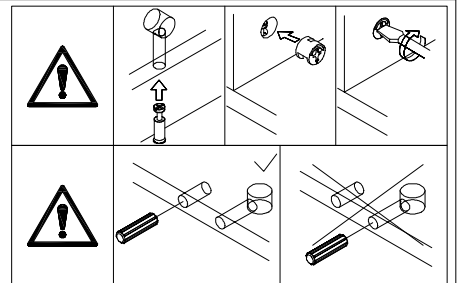
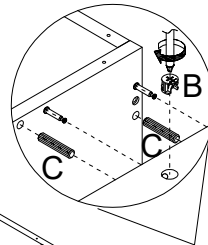
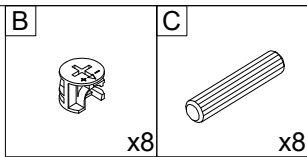
23



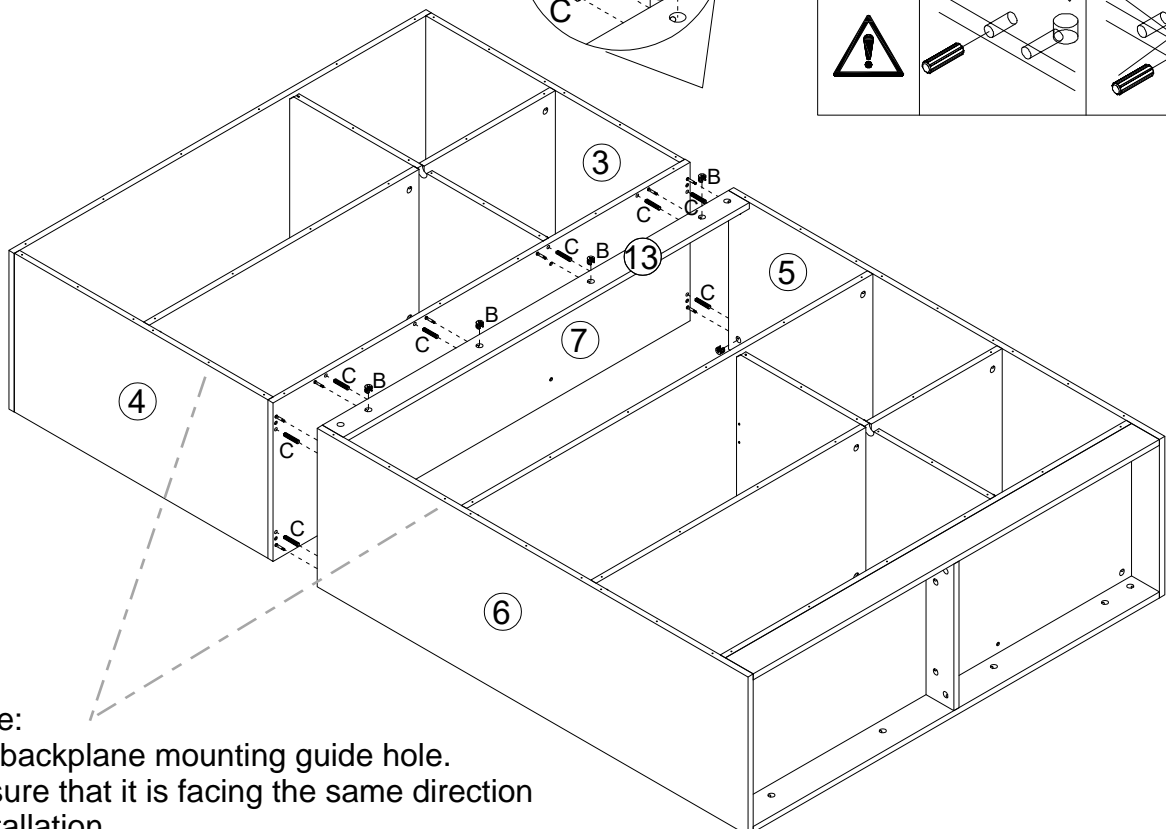
Please note:
Please ensure that it is facing the same direction during installation.
Subsequent installations should follow the same orientation.



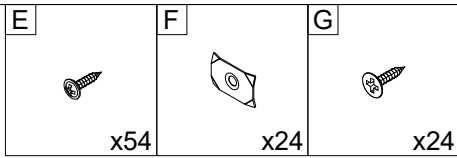
24



Please note:
This is the backplane mounting guide hole.
Please ensure that it is facing the same direction during installation.

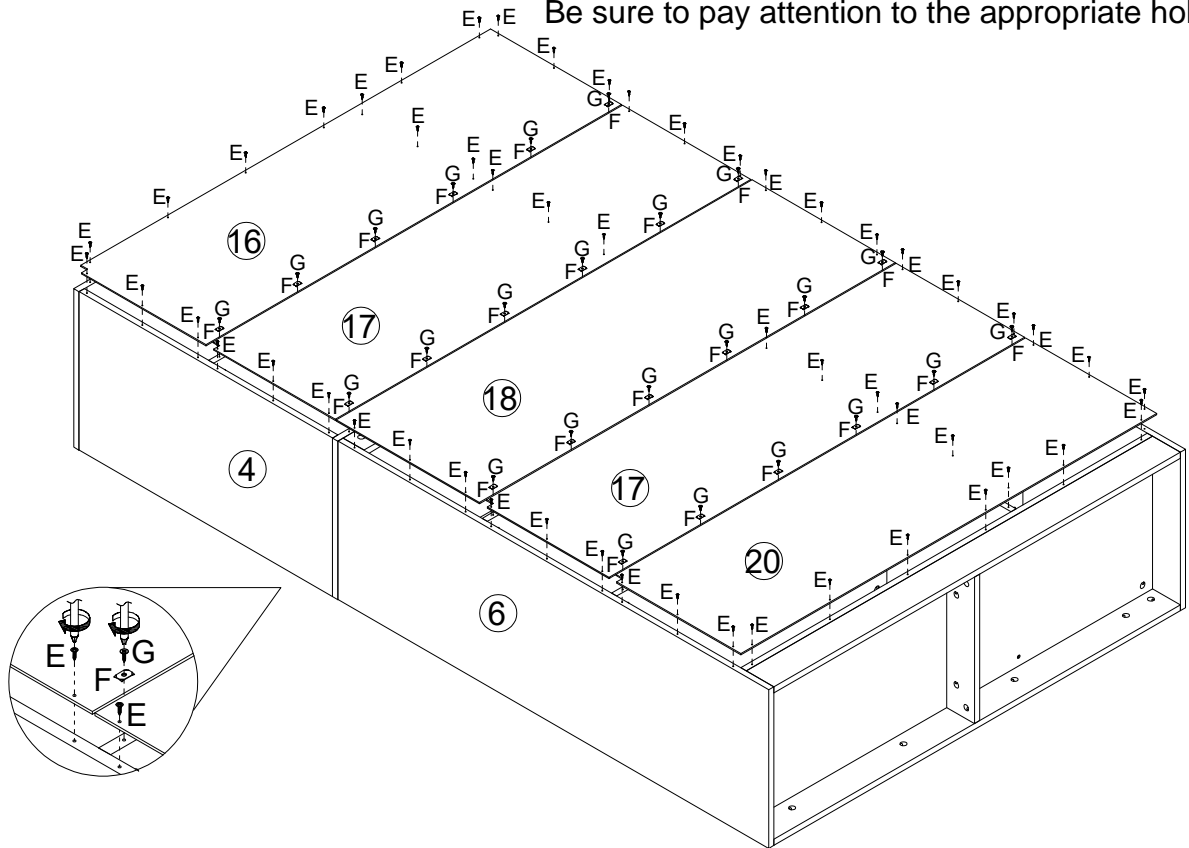


25

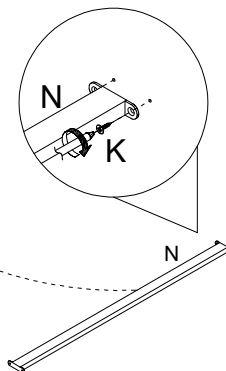
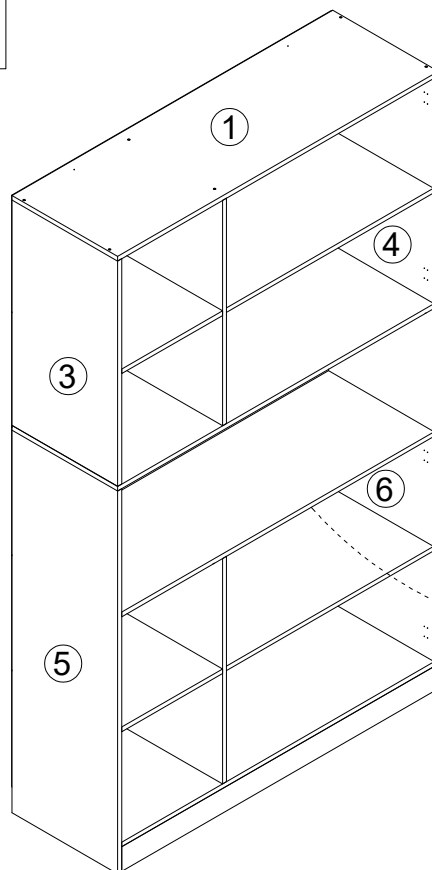
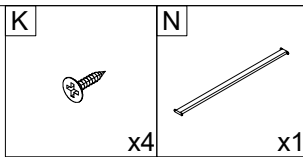


Place backplates 16, 17, 18, and 20 in position as shown, and secure them with screws (E). Then, use screws (F and G) to secure the gap between the backplates.

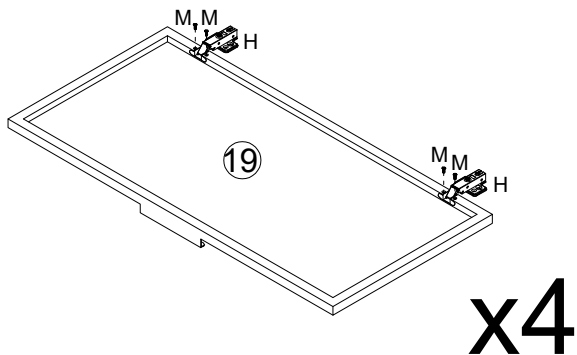
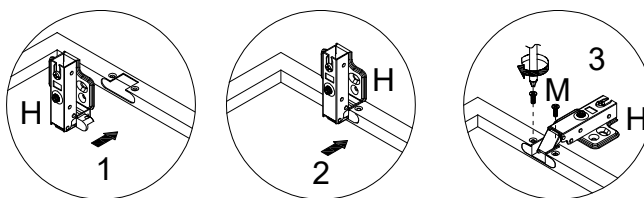
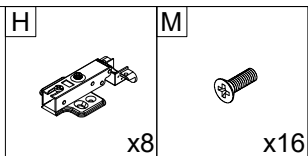
Be sure to pay attention to the appropriate holes.



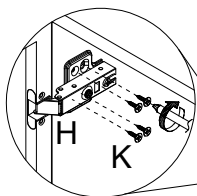
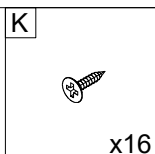
26



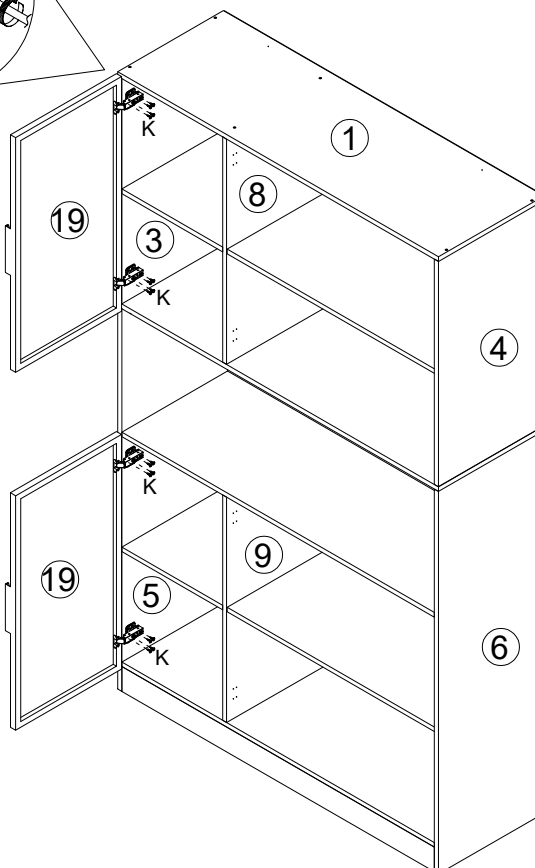
27



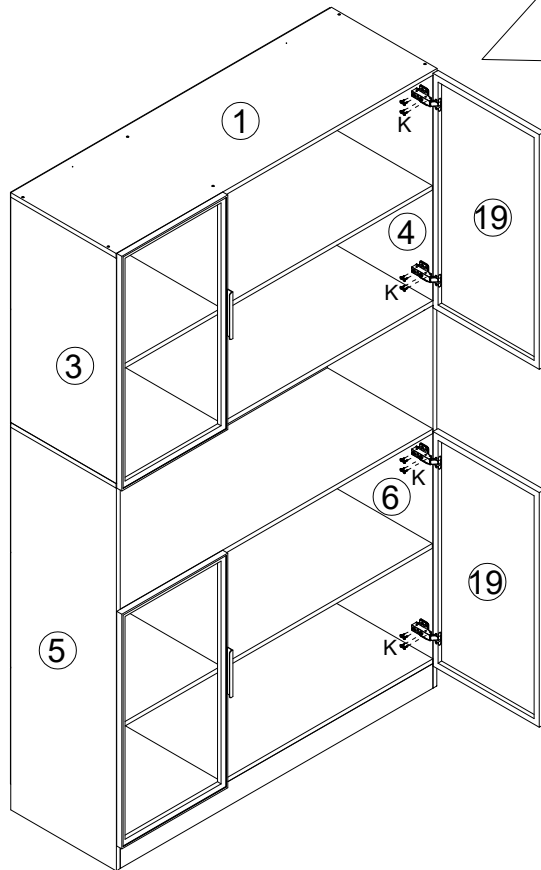
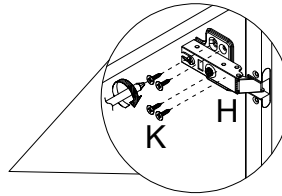
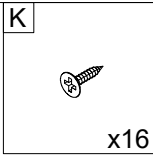
28



Cabinet Door Installation:
Please refer to the picture.
Two people should work
together.

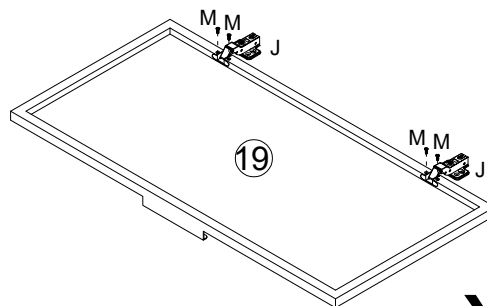
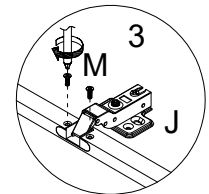
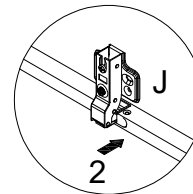
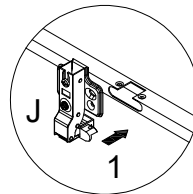
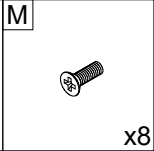
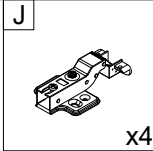


29



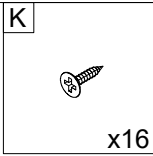
Cabinet Door Installation:
Please refer to the picture.
Two people should work
together.

30

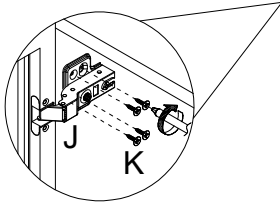


x2

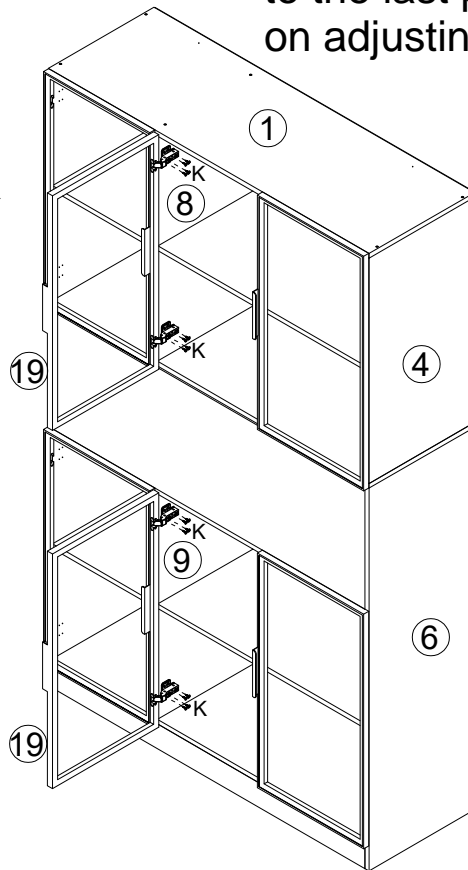
31



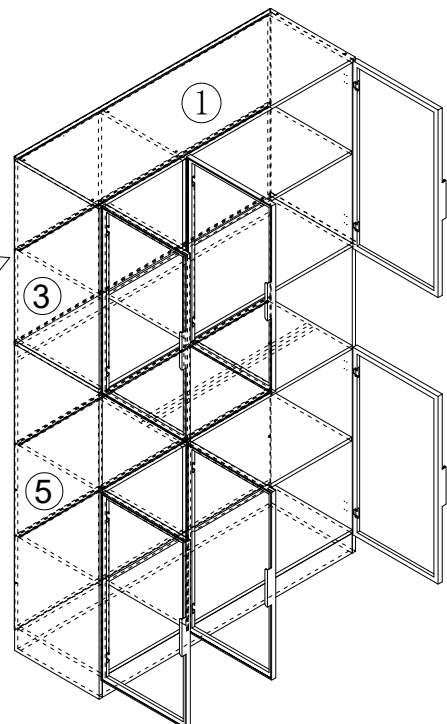
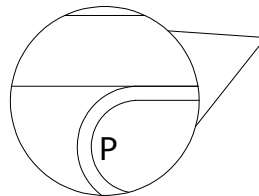
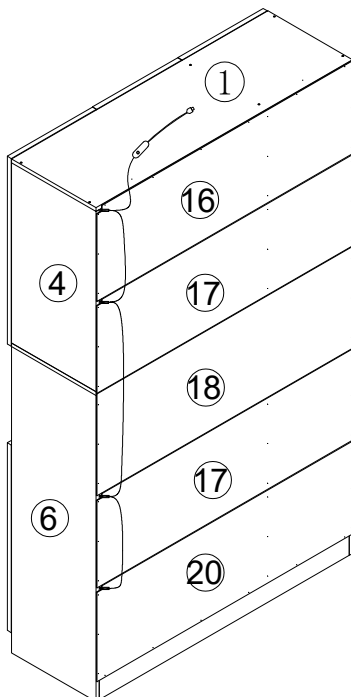
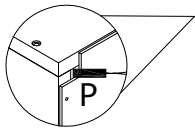
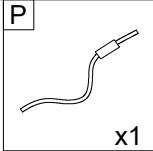
If the door isn't aligned or the seams are uneven, please refer to the last page for instructions on adjusting the hinges.



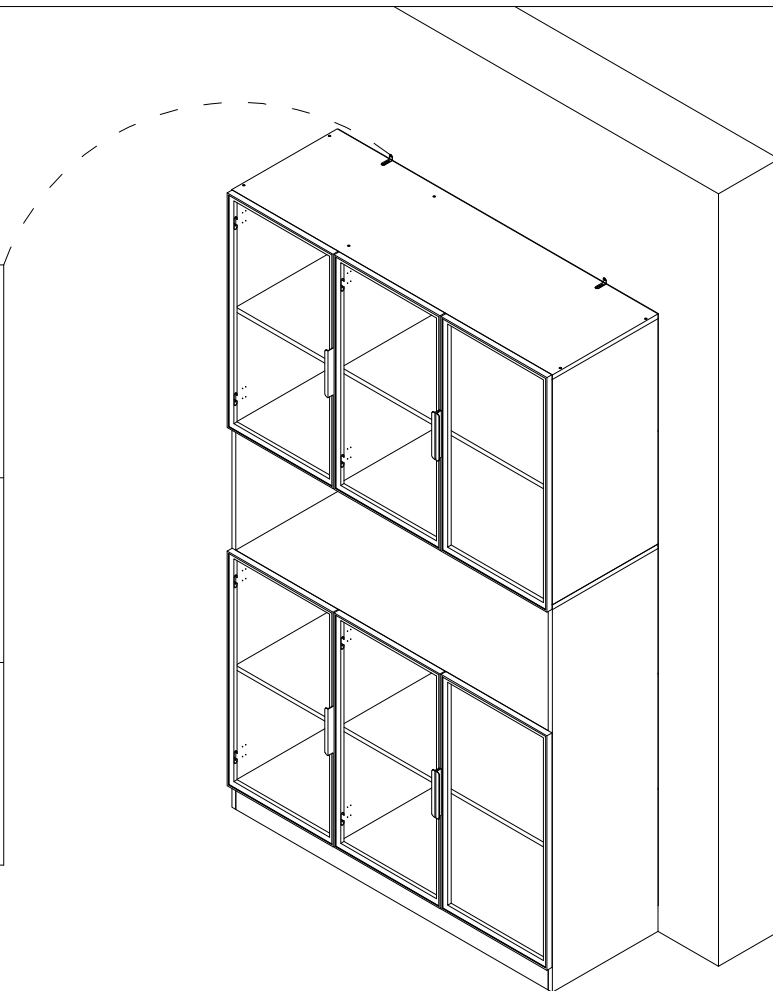
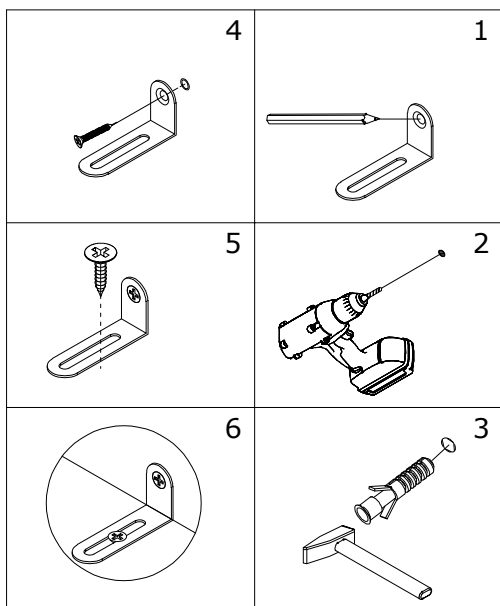
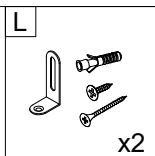
Cabinet Door Installation:
Please refer to the picture.
Two people should work together.



32



33



Attach wall anchors to the wall as shown for safety and stability.

Cabinet Door Adjustment Method Diagram

