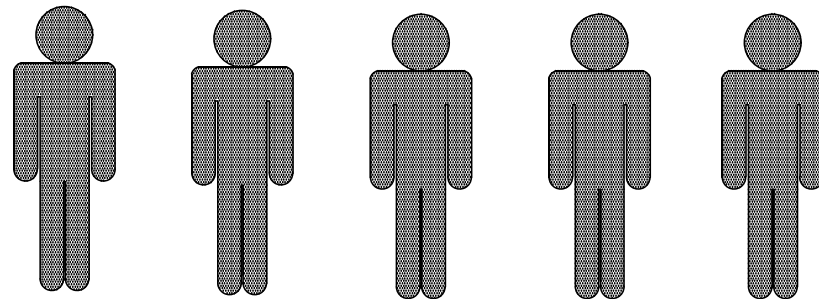
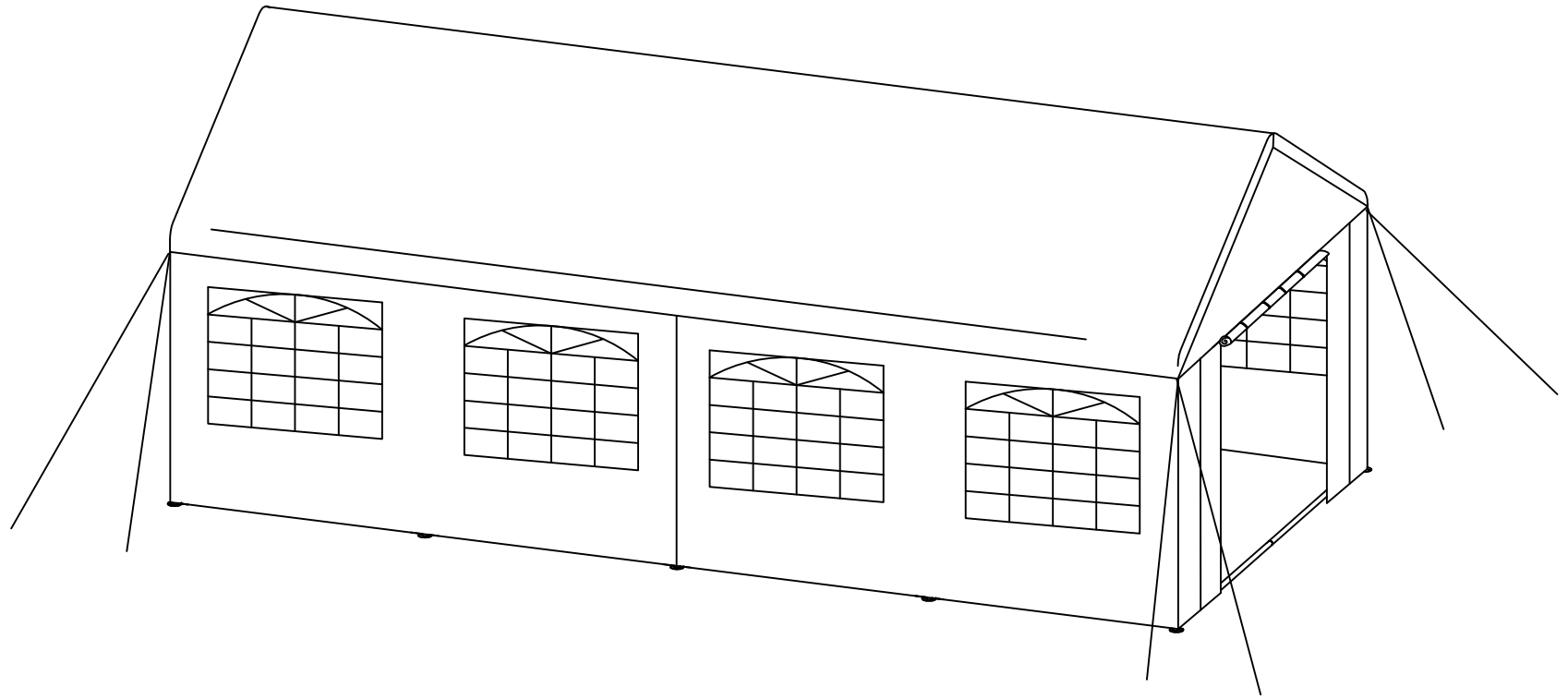
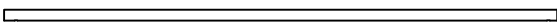
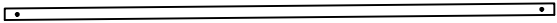


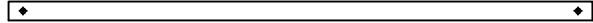
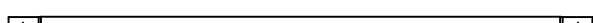




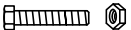
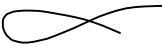
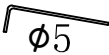
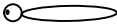
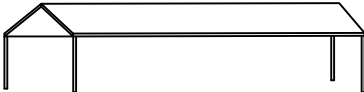
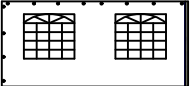
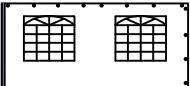
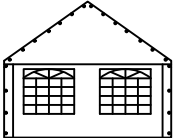


6 X 9 M



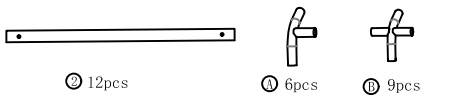
| | | |
|---|---|-----|
| ① |  ϕ38X1930mm | X10 |
| ② |  ϕ38X2175mm | X20 |
| ③ |  ϕ38X1910mm | X10 |
| ④ |  ϕ38X1415mm | X10 |
| ⑤ |  ϕ38X2000mm | X4 |
| ⑥ |  ϕ38X2000mm | X2 |
| A |  | X6 |
| B |  | X9 |
| C |  | X4 |
| D |  | X6 |

1

| | | |
|---|--|-----|
| Ⓔ |  M6X50mm | X10 |
| Ⓕ |  | X8 |
| Ⓖ |  ϕ5 | X28 |
| Ⓗ |  | X84 |
| Ⓘ |  | X1 |
| Ⓙ |  | X2 |
| Ⓚ |  | X2 |
| Ⓛ |  | X2 |


2

1

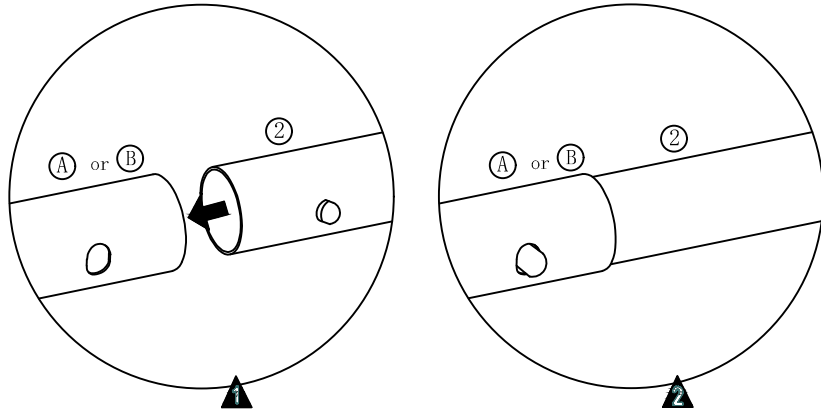
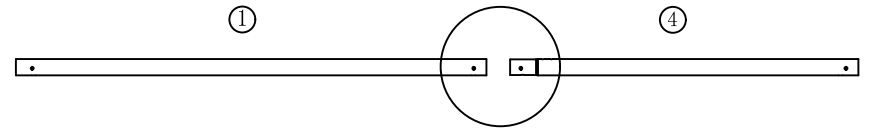
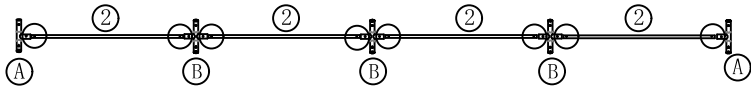


⑫ 12pcs ⑆ 6pcs ⑉ 9pcs

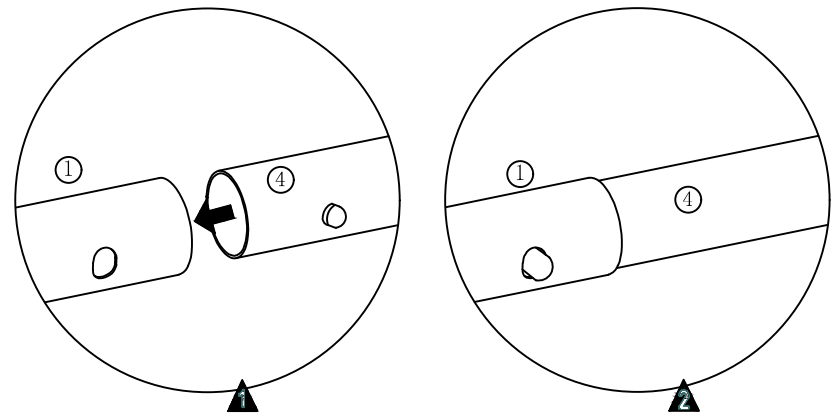
2



⑩ 10pcs ⑩ 10pcs

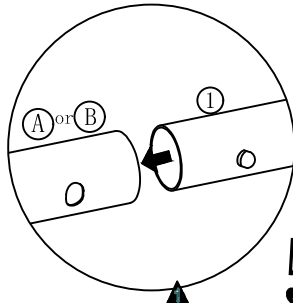
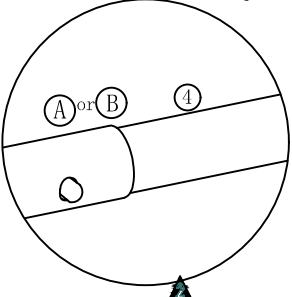
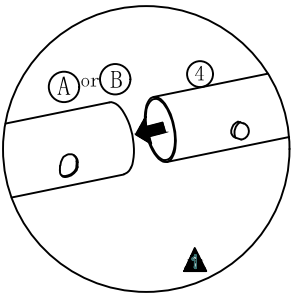
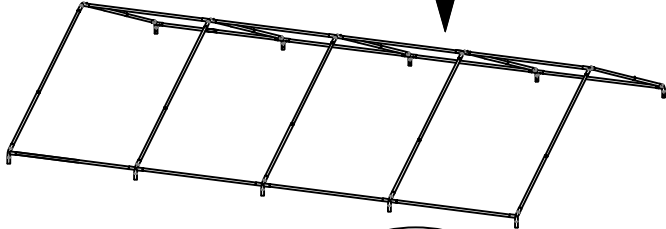
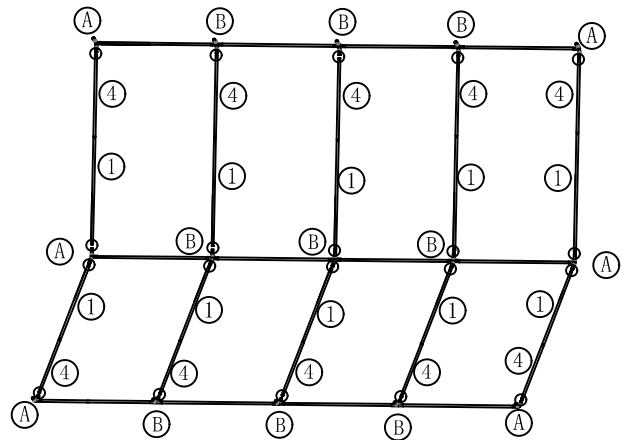


3

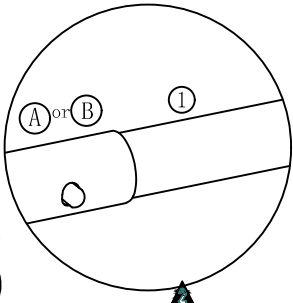


4

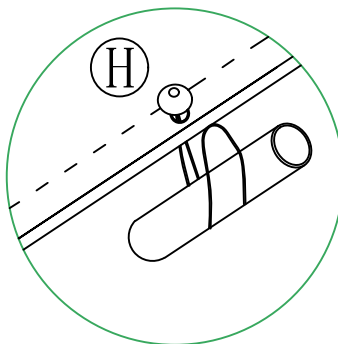
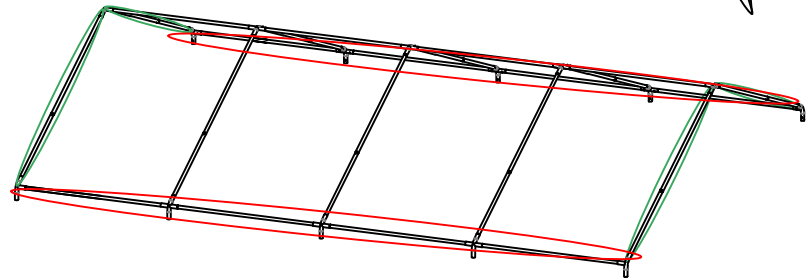
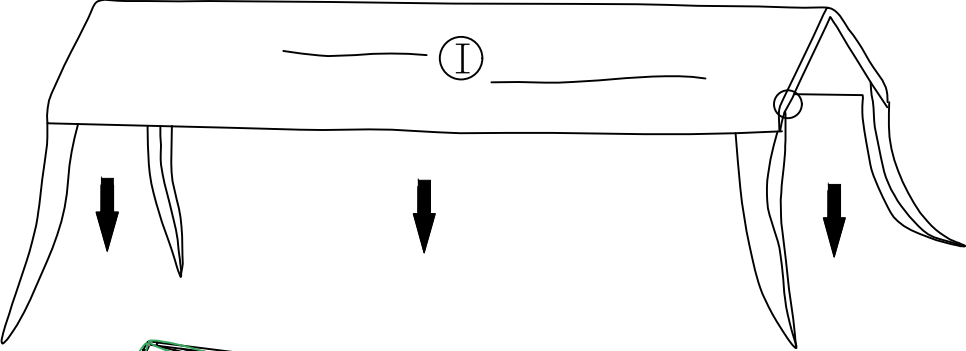
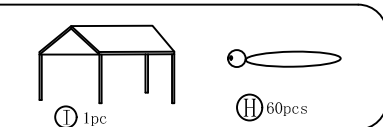
3



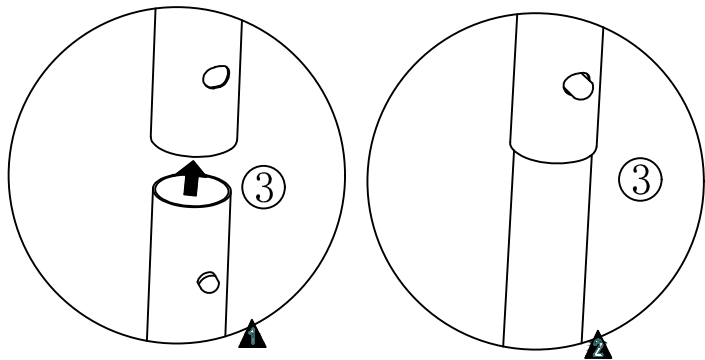
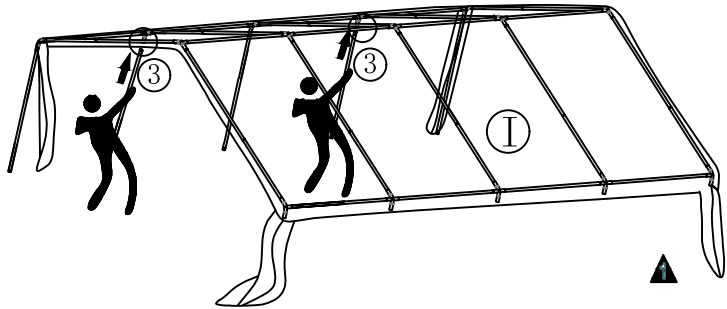
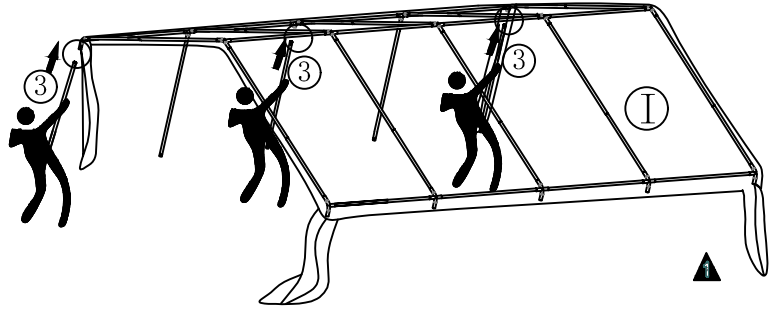
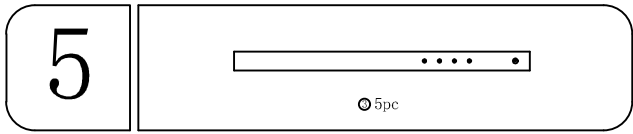
5



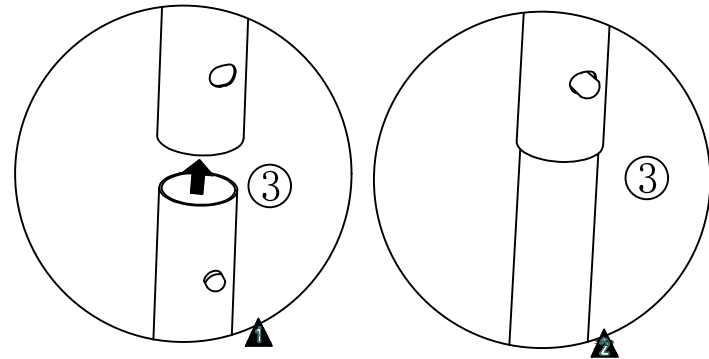
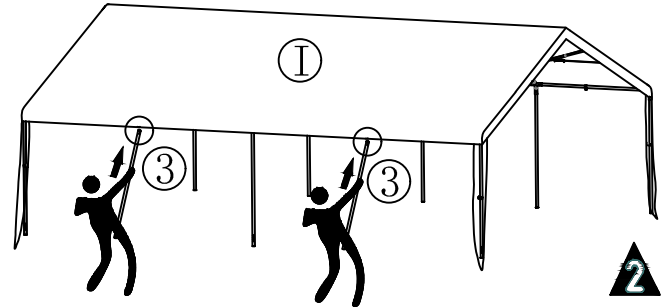
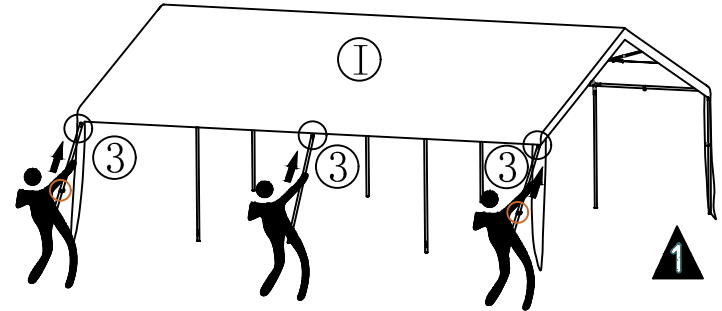
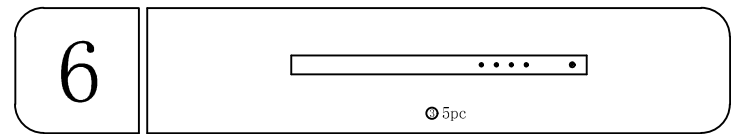
4



6

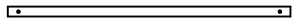


7



8

7



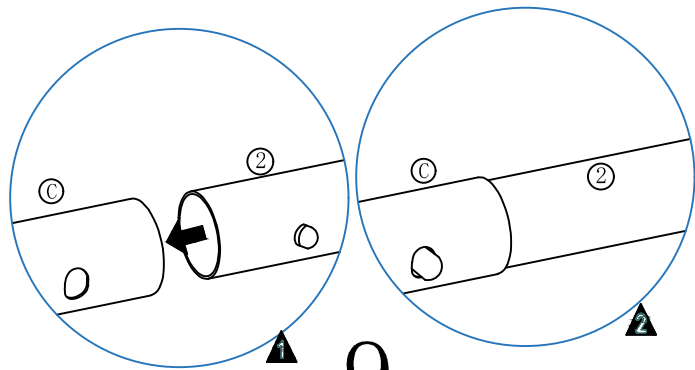
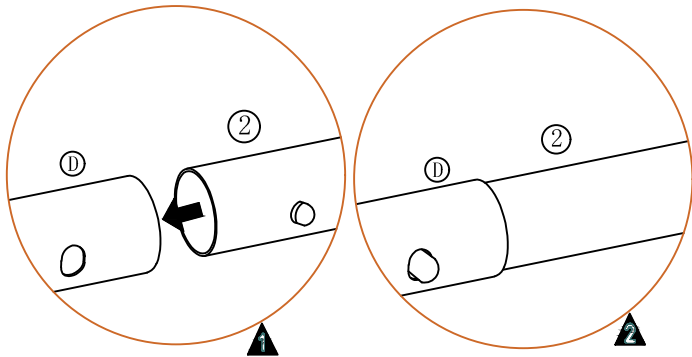
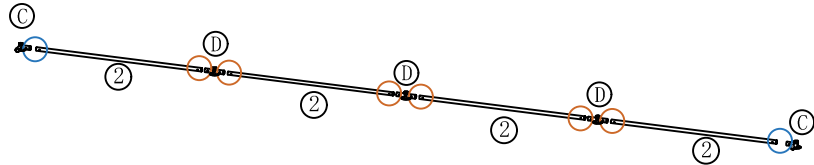
② 8pcs



④ 4pcs



⑤ 6pcs

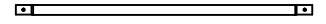


9

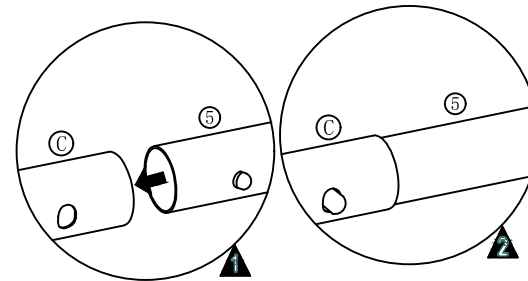
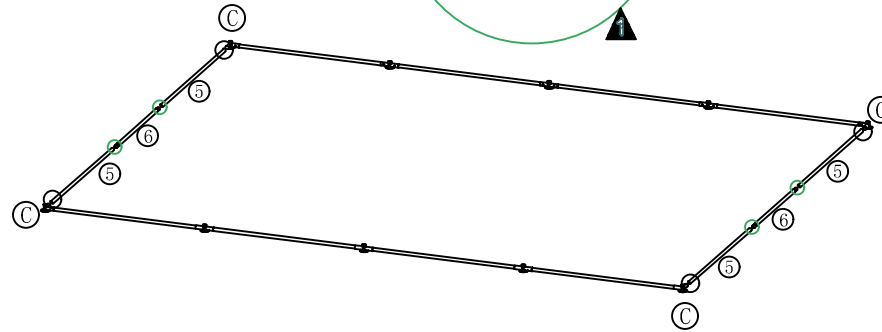
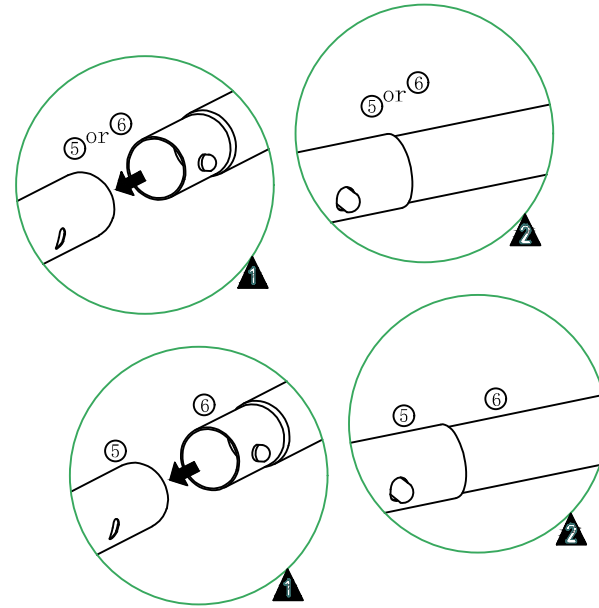
8



⑤ 4pcs




⑥ 2pcs



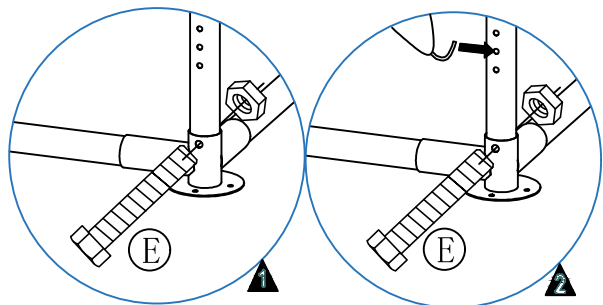
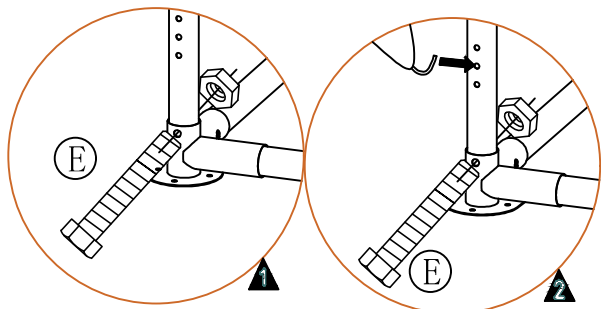
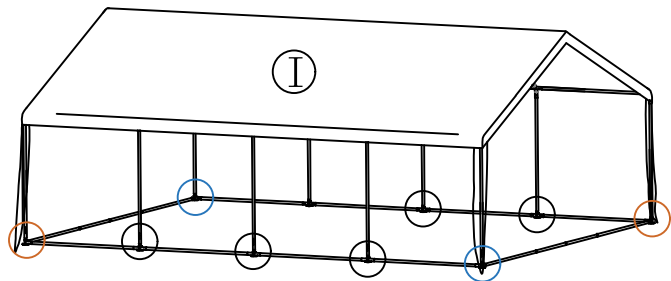
10

9




M6X50mm

ⓔ 10pcs




11

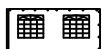
10




ⓓ 16pcs



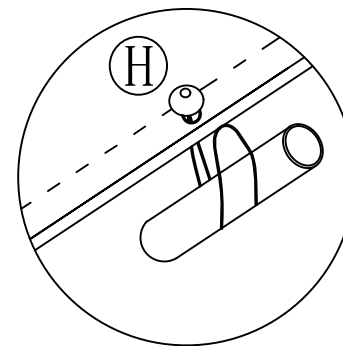
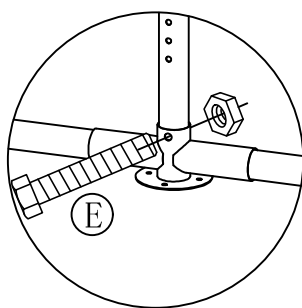
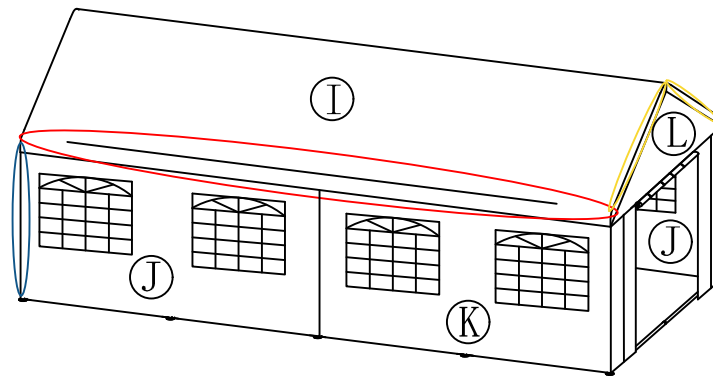
ⓙ 2pcs



Ⓚ 2pcs



Ⓛ 2pcs

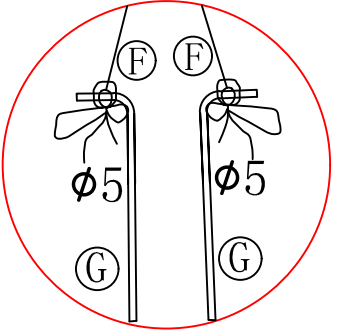
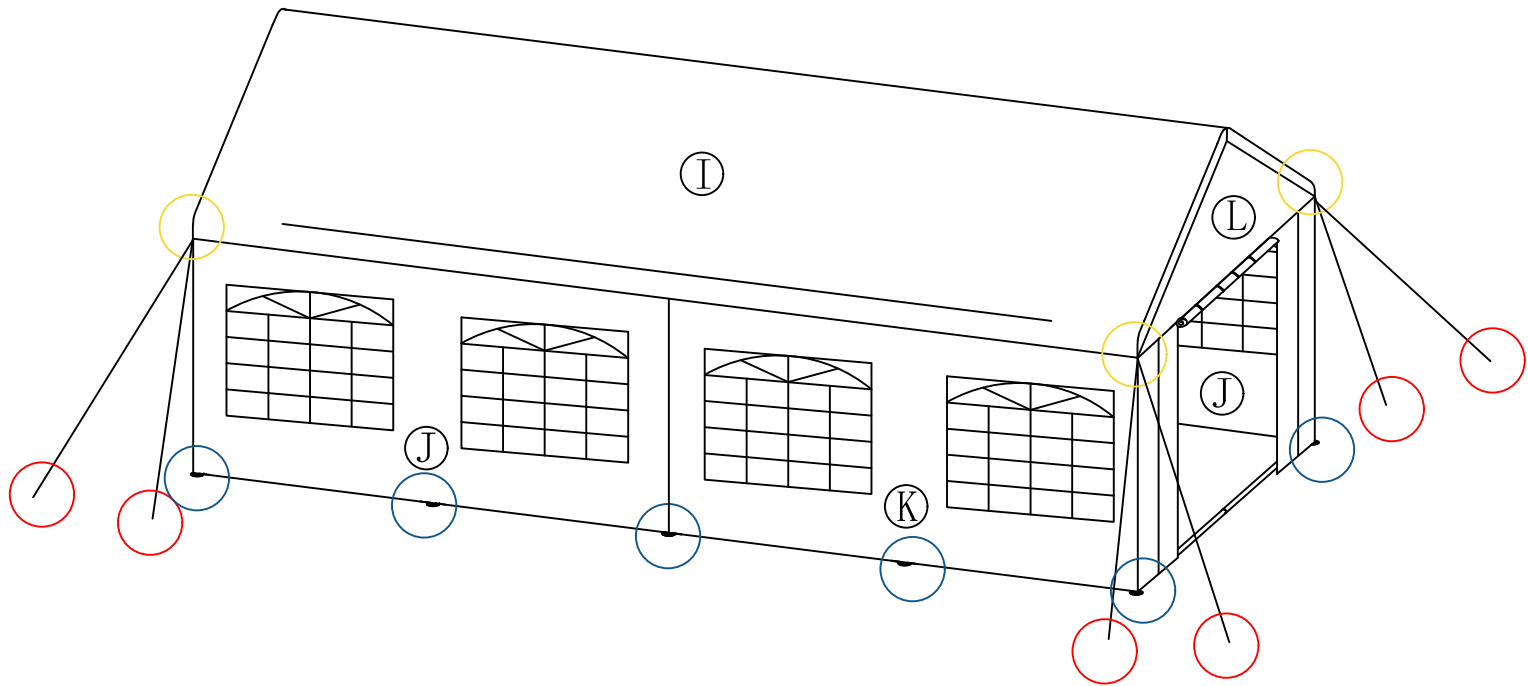


12

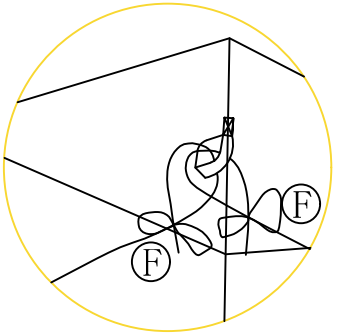
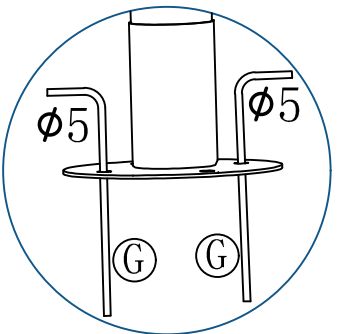
11

$\phi 5$
G 28pcs

∞
F 8pcs

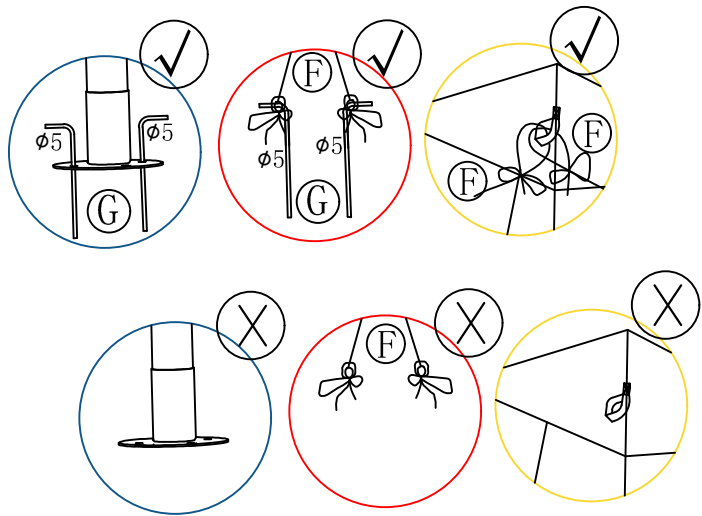


13



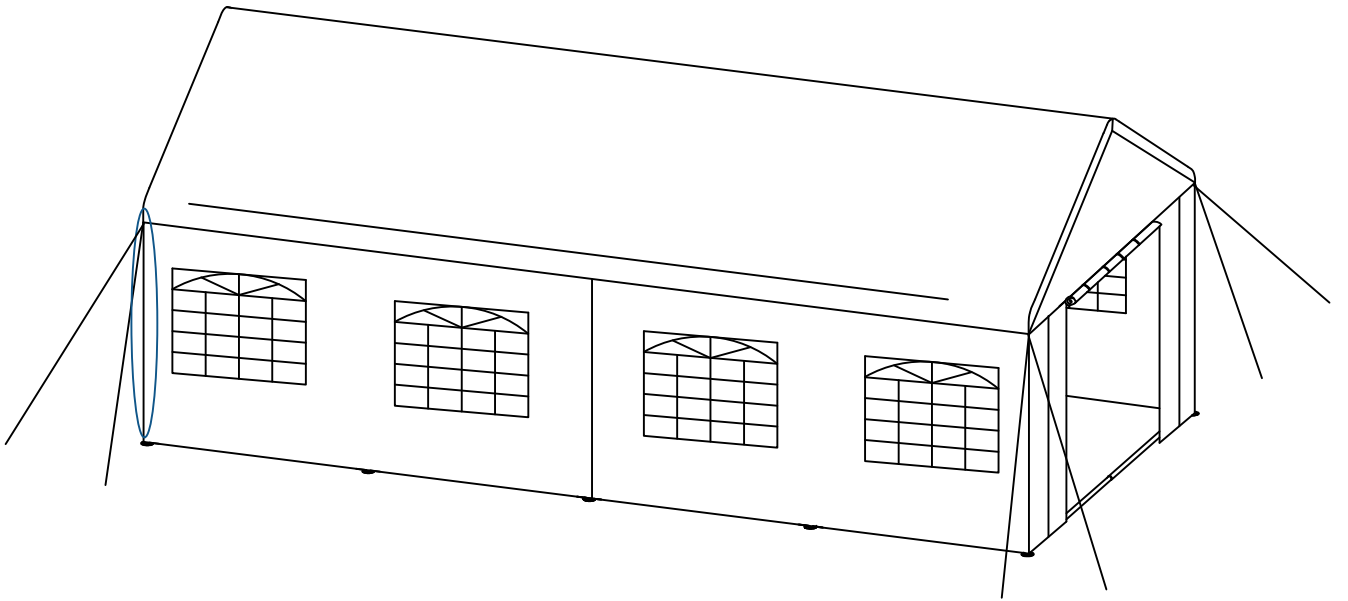
14

12



15

13



16