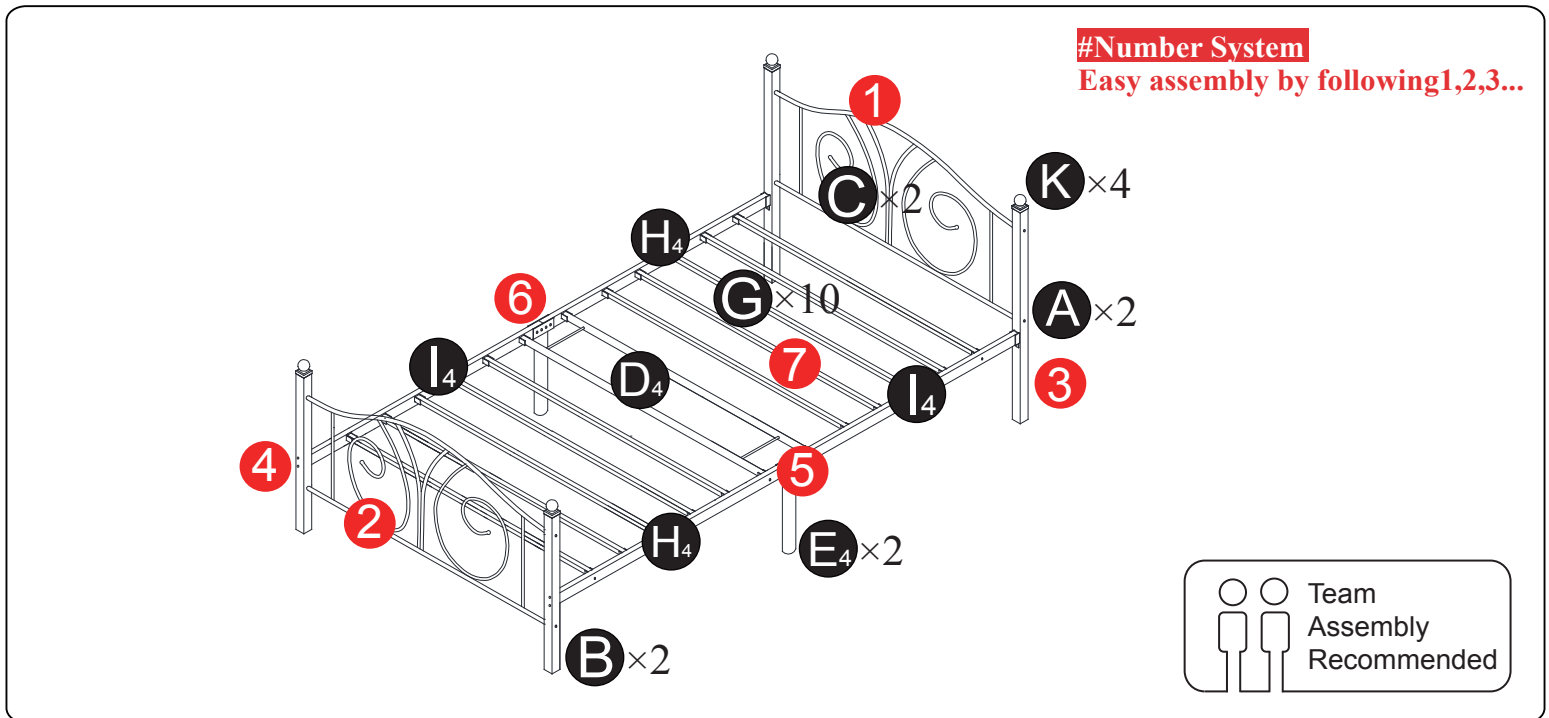


Bed Frame Installation Manual



Componets ▶

- **A** × 2
- **B** × 2
- **C** × 2
- **D** × 1
- **E** × 2
- **G** × 10
- **H** × 2
- **I** × 2
- **K** × 4

Screws & Tools ▶

①		M8X50mm	x8
②		M8X35mm	x8
③		M6X60mm	x8
④		M6X40mm	x4
⑤		M6X15mm	x4
⑥			x16
⑦		M8	x12
⑧		M5	x1
⑨		M13/M10	x1

Check all the componets & screws before assembly. Do not install in case part is missing, contact us to get. Send email with your question to us. We will resend within 24 hours.

We believe you will absolutely love your Metal platform bed. But if for some reason you want to return the foundation, please contact us directly before you decide to return your product. Our customer service organization can answer most concerns and assist you with any questions you may have about your new foundation, please email us first. The item must be return within 30 days of delivery for a full refund. The item must be returned in good condition, in original box, with all original proof of purchase, parts and accessories.

Trouble shooting:

Missing parts

↓

Send email with your question to us

↓

Resend within 24 hours

↓

Issue resolved

Other issues

↓

Send email with your issue to us

↓

Respond within 24 hours

↓

Issue resolved

We control manufacturing and distribution ourselves, ensure the quality.

1 Headboard assembly

Note:
In this step, please do not tighten the screws(③) up

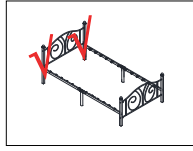
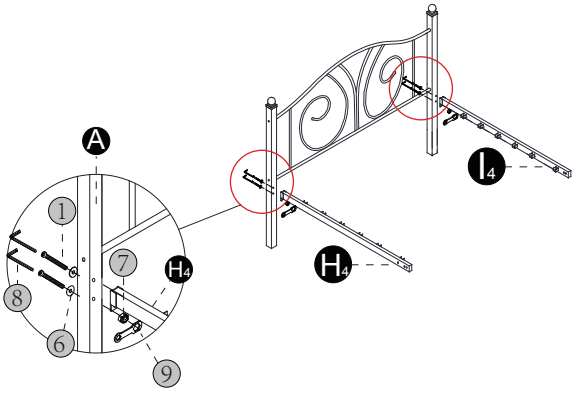
Holes should be outside

2 Footboard assembly

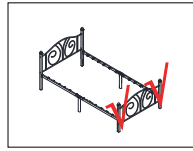
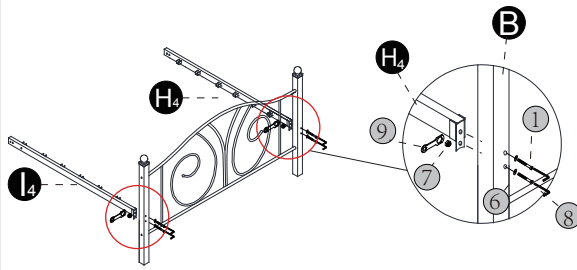
Note:
In this step, please do not tighten the screws(③) up

Holes should be outside

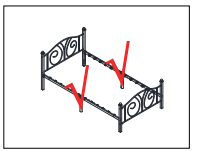
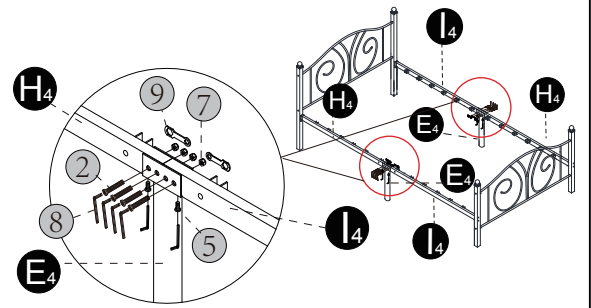
3 Connect **H₄** & **L₄** to headboard



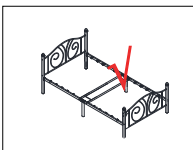
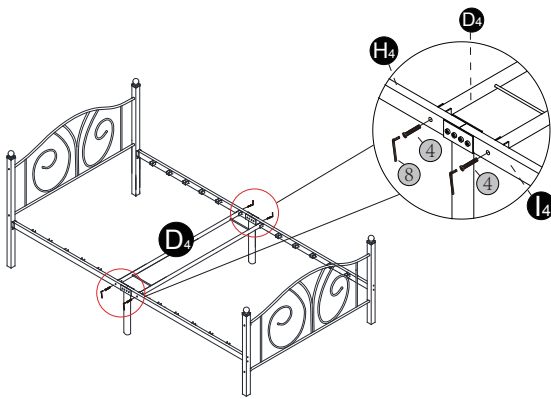
4 Connect **H₄** & **L₄** to footboard



5 Connect **E₄** to **H₄** & **L₄**

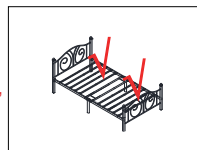
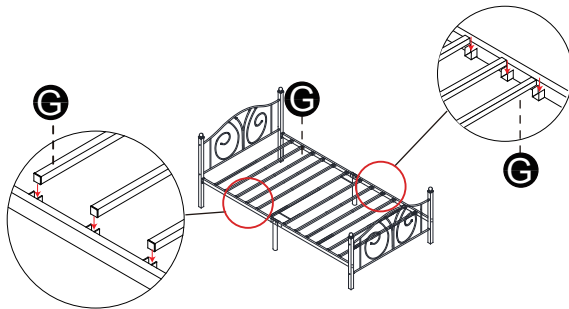


6 Connect **D₂** to **H₄** & **L₄**



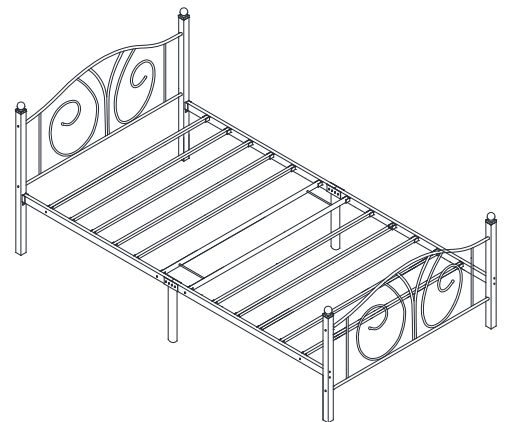
Note:
In this step, please do not tighten the screws (4) up

7 Assemble bed slats



Note:
If the bed slats cannot be inserted easily, loosen the screws (step 1 2 6)

8 Check and tighten all screws



CAUTIONS!

