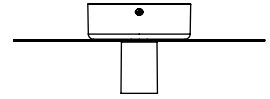




SPS-0654 REV B

ELLINGTON FLUSH MOUNT LIGHT

JOB NAME: _____ FIXTURE TYPE: _____

BLE - F - _____ - _____ - _____ - _____ - _____ - _____ E26
A B C D E

Order Example: BLE - F - EGT8 - 380 - 470 - 380 - E26

A - DISK SIZE

ELLINGTON:

- EGT6 6" Disk
- EGT8 8" Disk
- EGT12 12" Disk
- EGT16 16" Disk

B - DISK FINISH

POWDER COAT FINISHES:

- 100 Black
- 105 Textured Black
- 106 Matte Black
- 200 White
- 206 Matte White
- 300 Dark Green
- 307 Emerald Green
- 311 Jadite
- 370 Mint
- 380 Chartreuse
- 390 Teal
- 400 Barn Red
- 420 Orange
- 470 Watermelon
- 480 Blush Pink
- 490 Magenta
- 495 Sherbet Orange
- 500 Buttery Yellow
- 570 Sunflower
- 600 Bronze
- 601 Chocolate
- 605 Rust

B - DISK FINISH (CONTINUED)

POWDER COAT FINISHES:

- 615 Oil-Rubbed Bronze
- 700 Royal Blue
- 705 Navy
- 710 Cobalt Blue
- 715 Delphite Blue
- 790 Lavender
- 800 Industrial Grey
- 805 Charcoal Granite
- 810 Graphite
- 975 Galvanized

C - CUP FINISHPlease Note: See **Section B** for all applicable Powder Coat Cup Finish options.NATURAL METALS¹:

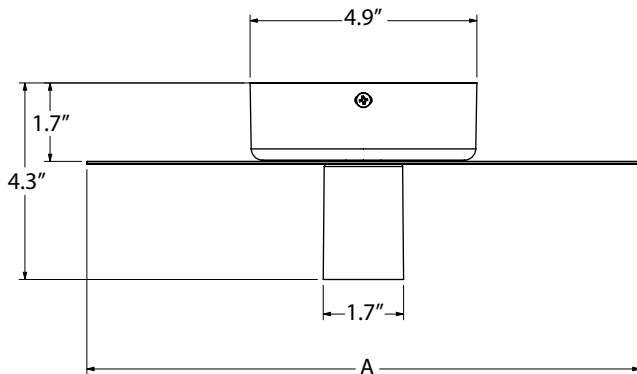
- 995 Raw Copper
- 996 Weathered Copper
- 997 Raw Brass
- 998 Weathered Brass
- 999 Oil-Rubbed Copper

D - CEILING CANOPY FINISHPlease Note: See **Section B** for all applicable Powder Coat Ceiling Canopy Finish options.NATURAL METALS¹:

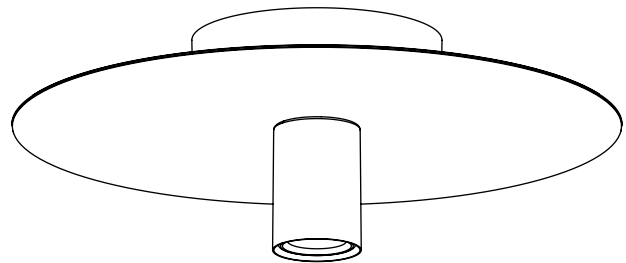
- 995 Raw Copper
- 996 Weathered Copper
- 997 Raw Brass
- 998 Weathered Brass
- 999 Oil-Rubbed Copper

E - LIGHT SOURCE

E26 100 Watt Max

IMPORTANT: (1) Natural Metals have a longer estimated manufacturing time, please check the website for exact lead time. There are no returns accepted on Natural Metals.**LUMINAIRE DIMENSIONS**

SHADE CODE	DIAMETER (A)
EGT6	6"
EGT8	8"
EGT12	12"
EGT16	16"



SPECIFICATIONS

CERTIFICATIONS, LISTINGS & WARRANTY

MADE IN THE USA
Manufactured and Hand-Crafted in Our 60,000 Square Foot Facility
Located in Titusville, FL

UL LISTED FOR DAMP LOCATIONS

LIMITED WARRANTY
For Additional Information on Our Limited Warranty, Please See
Our Terms & Conditions

LIGHT SOURCE

INCANDESCENT
Medium Base E26 Socket, 120 VAC, 100 Watt Max

CONSTRUCTION & FINISH

POWDER COAT
Hand-Spun from High Purity 3003-O Temper Aluminum

GALVANIZE
Hand-Spun from High Quality Galvanized Steel

COPPER
Hand-Spun from High Purity C11000-O60 ETP Copper

BRASS
Hand-Spun from High Purity C2600-O60 Brass

POWDER COAT FINISHES
Polyester Powder Coat Finishes Are Electro-Statically Applied and
Thermocured