








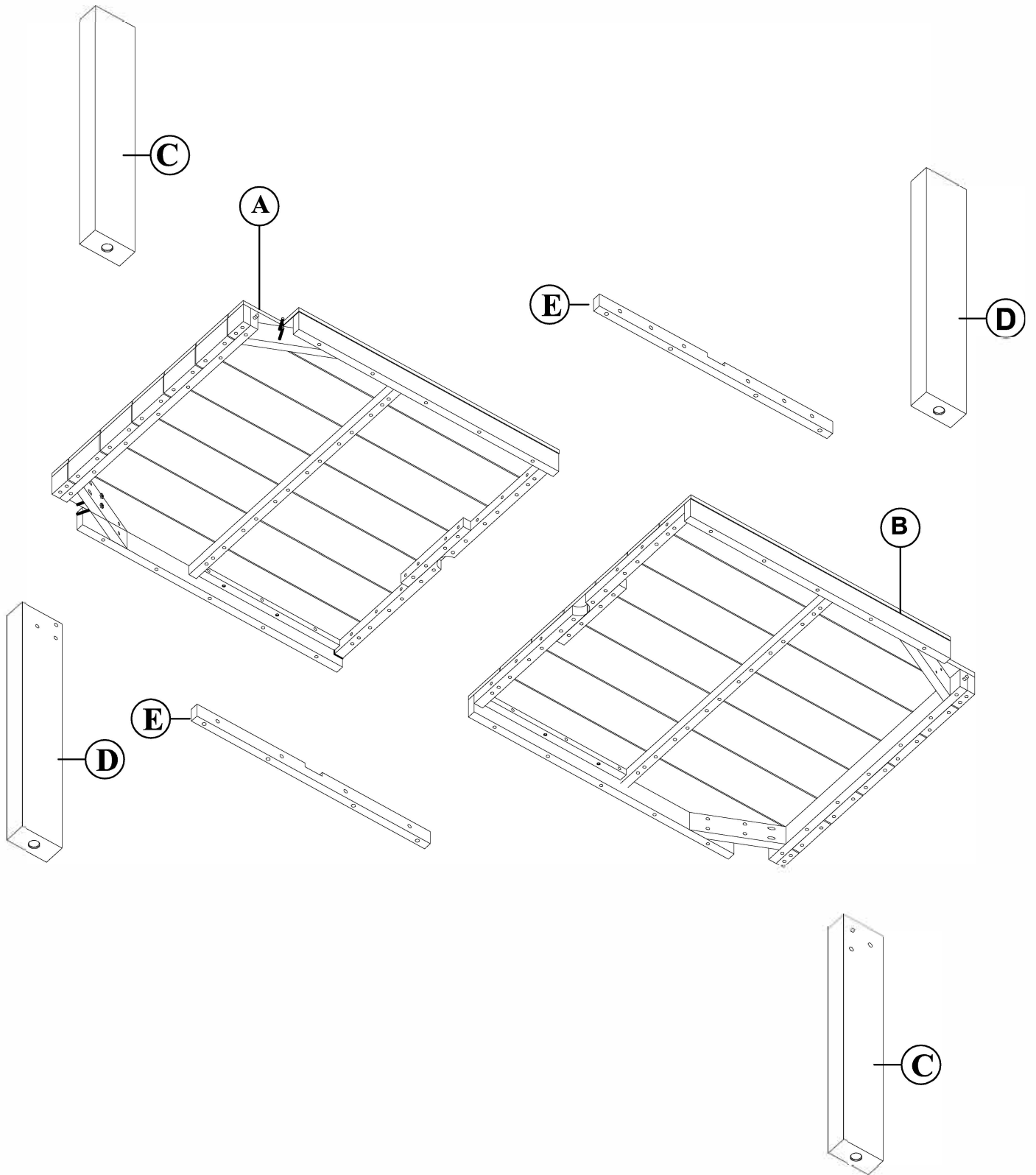
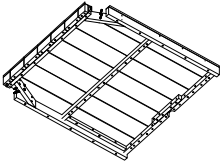
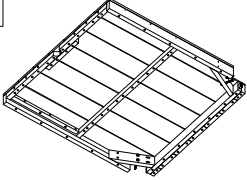


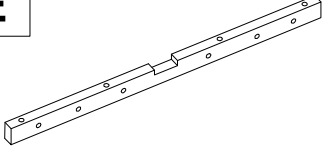


Care & Maintenance

- ⊘  • Not for commercial use. For residential use only
- ⊘  • Do not put hot items directly on furniture surface.
- ⊘  • Do not clean furniture with harsh cleansers or polish.
- ✓  • To obtain the longest lifespan of your outdoor products, minimizing exposure to direct sunlight is recommended.
- ⊘  • Children should not climb or jump on the furniture.
- ⊘  • Do not write on furniture without a padded barrier to protect the surface.
To obtain the longest lifespan of your outdoor products, avoid extended and lengthy exposure to rain, snow, and direct sunshine. Whenever possible cover the product and /or place under patio or awnings.
- ✓  • To obtain the longest lifespan of your outdoor products, avoid extended and lengthy exposure to rain, snow, and direct sunshine. Whenever possible cover the product and /or place under patio or awnings.
- ⊘  • Stains may be removed with mild soap solution and damp cloth..
- ✓  • Dust and pick-up spills using a clean, non-colored, lint-free cloth.

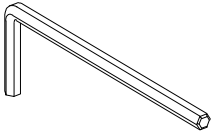


Part List :

A  Table Top 1 (1pc)	B  Table Top 2 (1pc)	C  Table Leg 1 (2pcs)	D  Table Leg 2 (2pcs)
E  Connecting Bar (2pcs)			

Hardware list

1



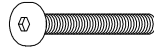
Allen Wrench (2 pcs)

2



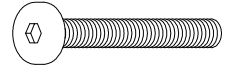
Bolt M6x35 (12 pcs)

3



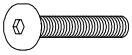
Bolt M6x50 (8 pcs)

4



Bolt M8x90 (8 pcs)

5



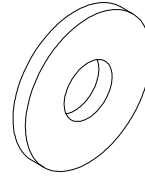
Bolt M6x45 (4 pcs)

6



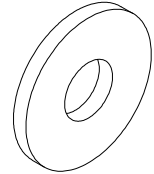
Sleeve Nut M6x15 (4 pcs)

7



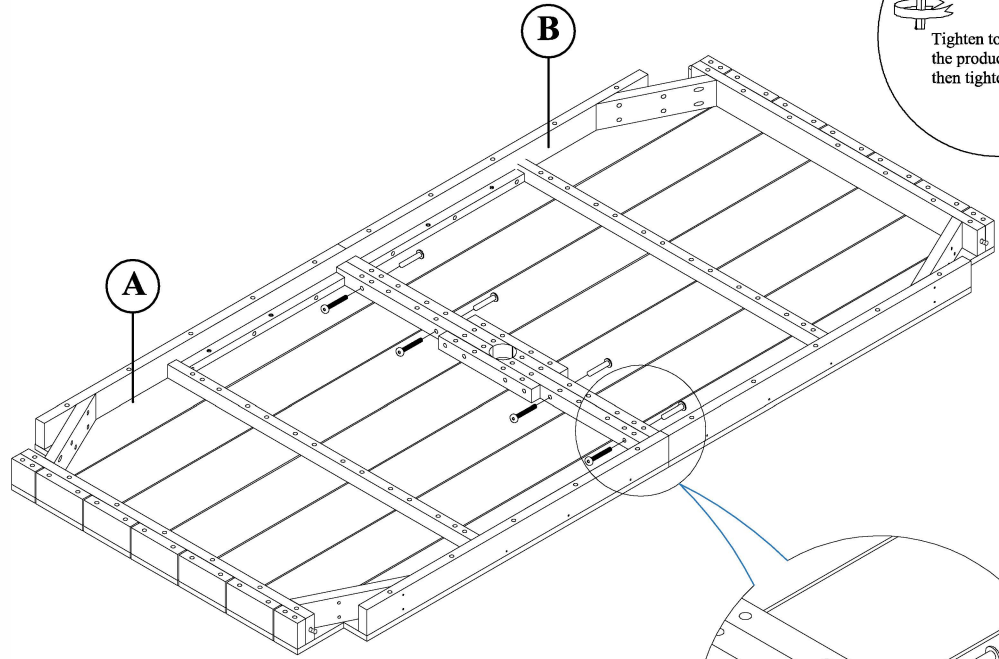
Flat Washer 7/18x1.5 (12 pcs)

8

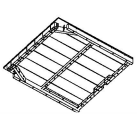
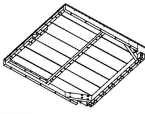
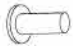
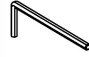



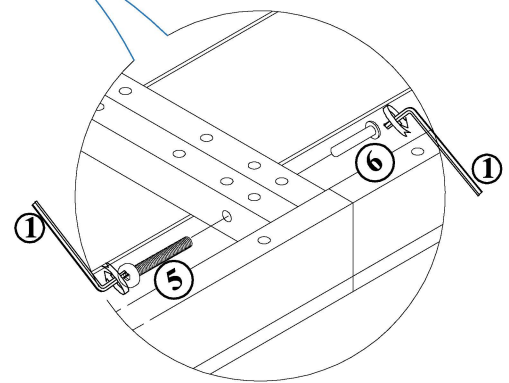
Flat Washer 9/18x1.5 (8 pcs)

STEP 1

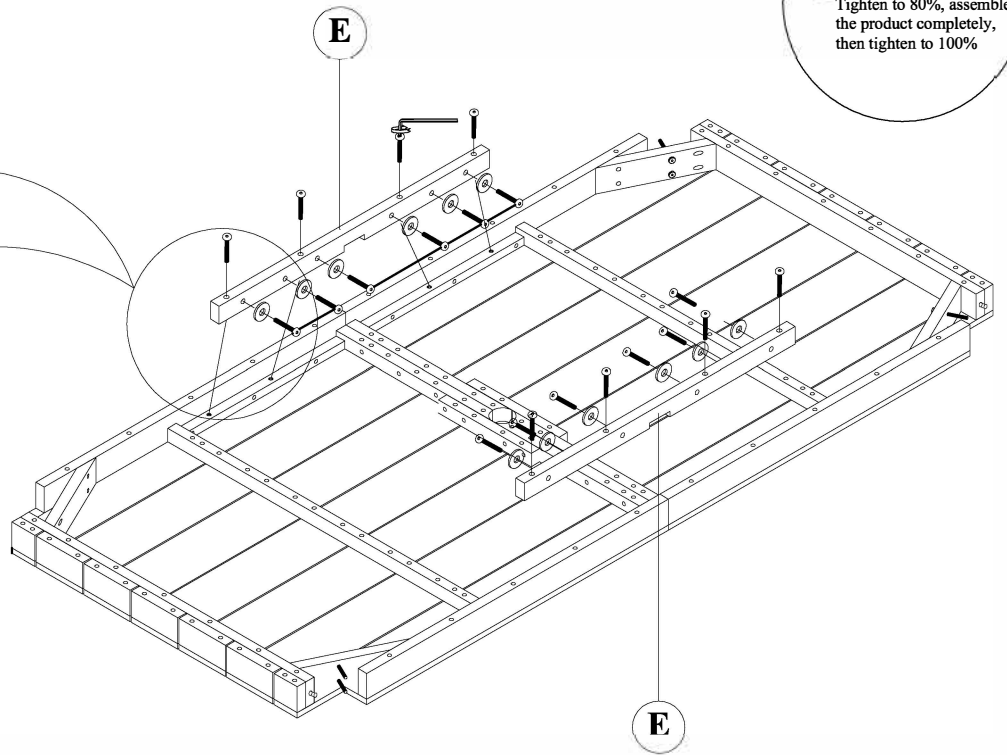
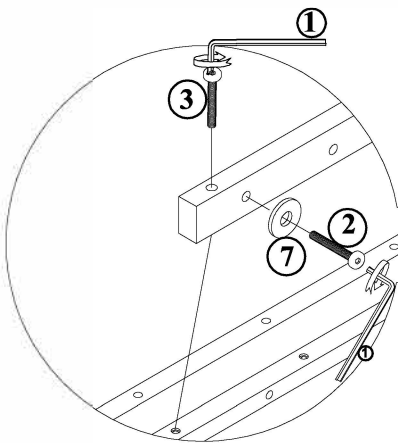


Tighten to 80%, assemble the product completely, then tighten to 100%

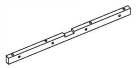


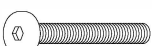

-  **A** x1
-  **B** x1
-  **6** x 4
-  **1** x 2
-  **5** x 4



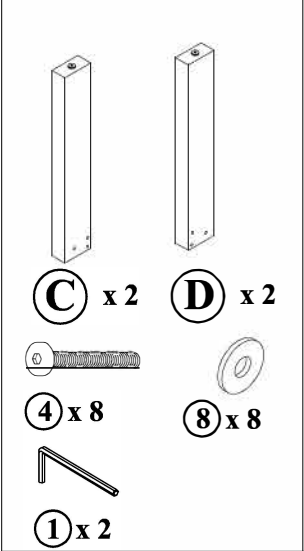
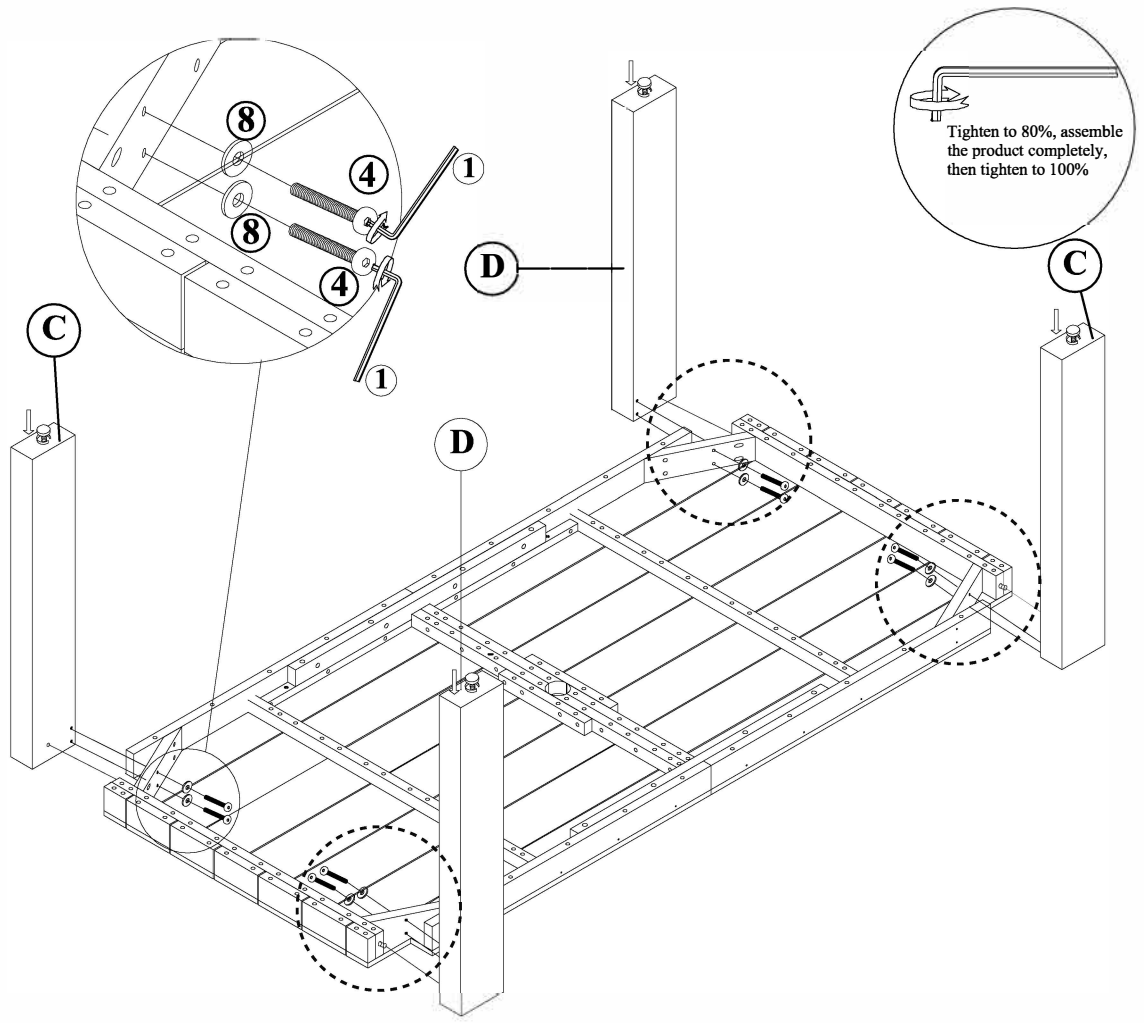
STEP 2



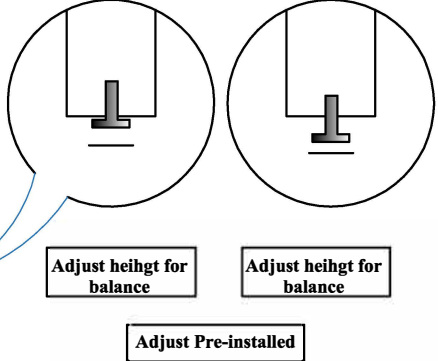
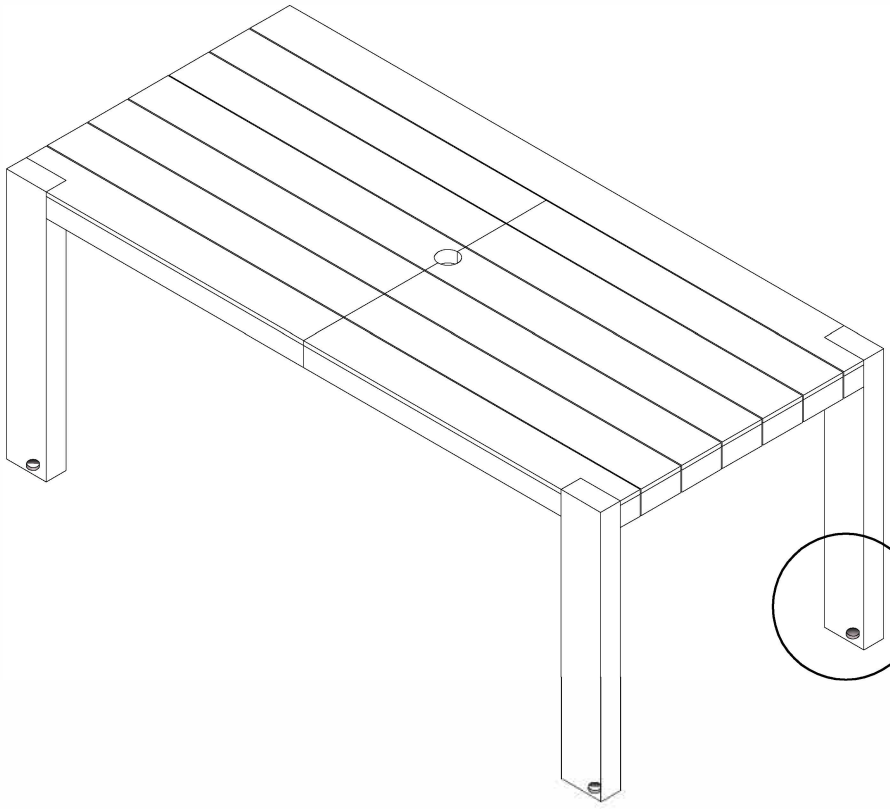
Tighten to 80%, assemble the product completely, then tighten to 100%

-  **E** x 2
-  **2** x 12
-  **7** x 12
-  **3** x 8
-  **1** x 2

STEP 3



STEP 4



FINISH