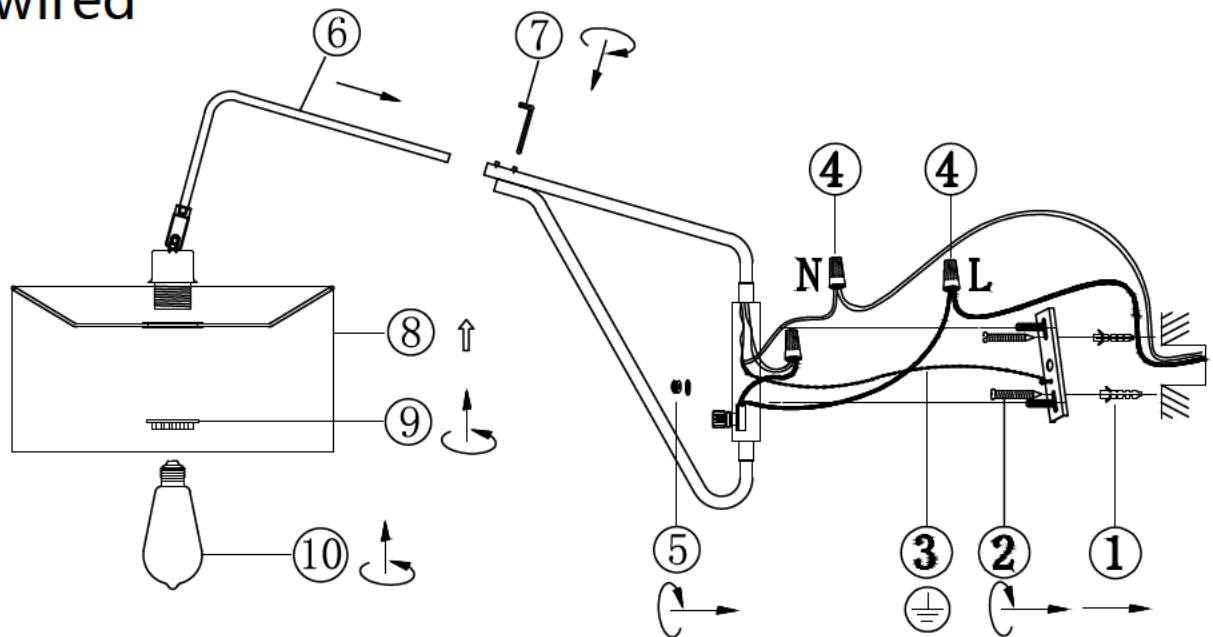
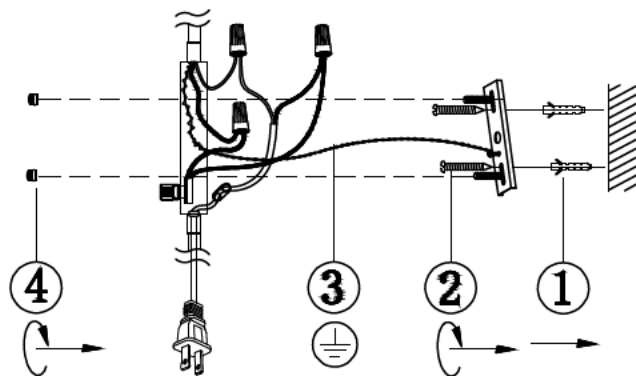


Installation Guide (Without Junction Box)

Hardwired



Plug-in

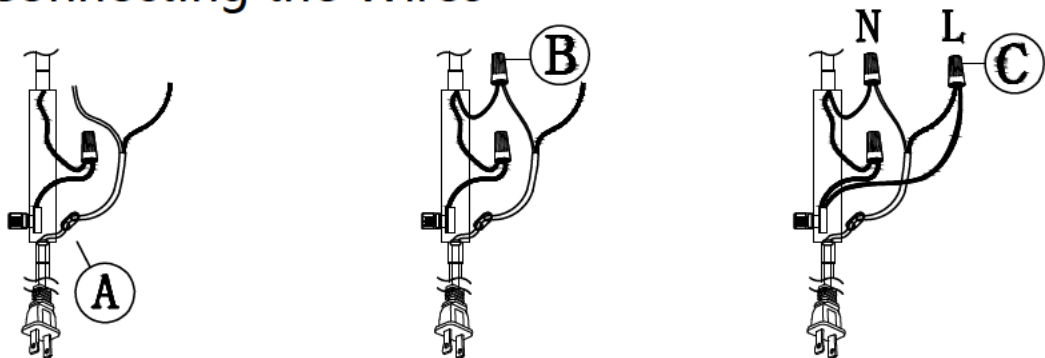


Black: Live Wire (L)

White: Null Wire (N)

Bronze: Ground Wire (G)

Steps of Connecting the Wires



A: Pass the wire through the hole on the side of the canopy and fasten the wire with a pressure plate.

B: Connect the null wire (white) to the fixture null wire (white).

C: Connect the live wire (black) to the fixture live wire (black). After the connection is done, wrap the wires with wire ties included.