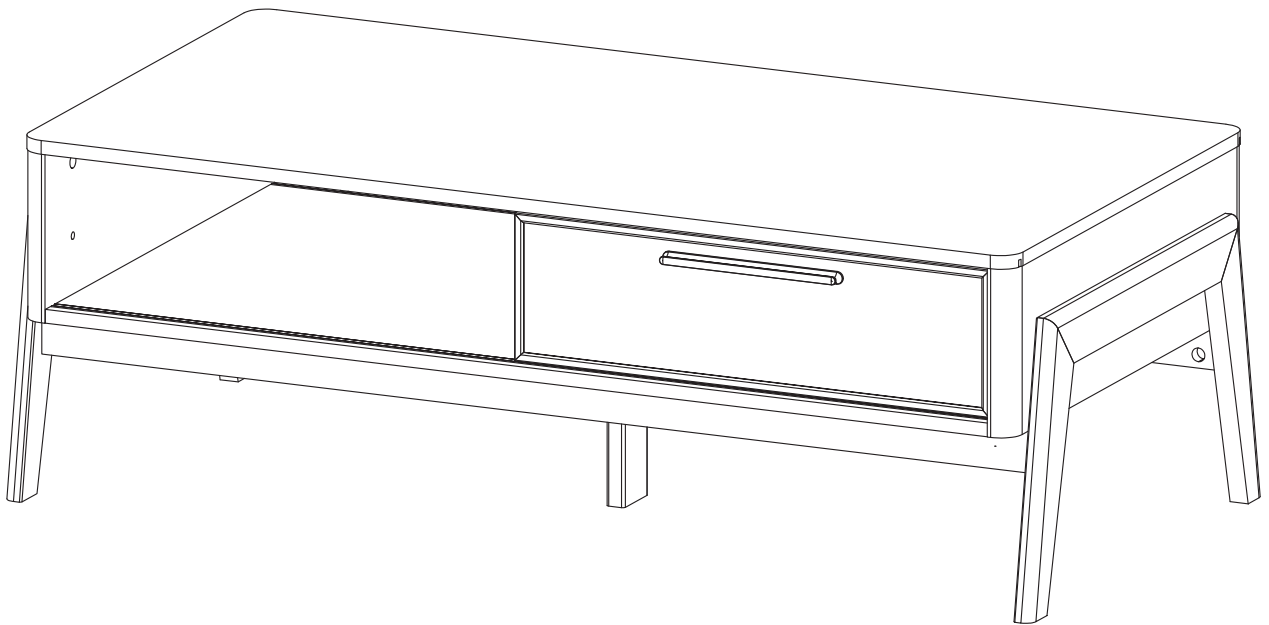
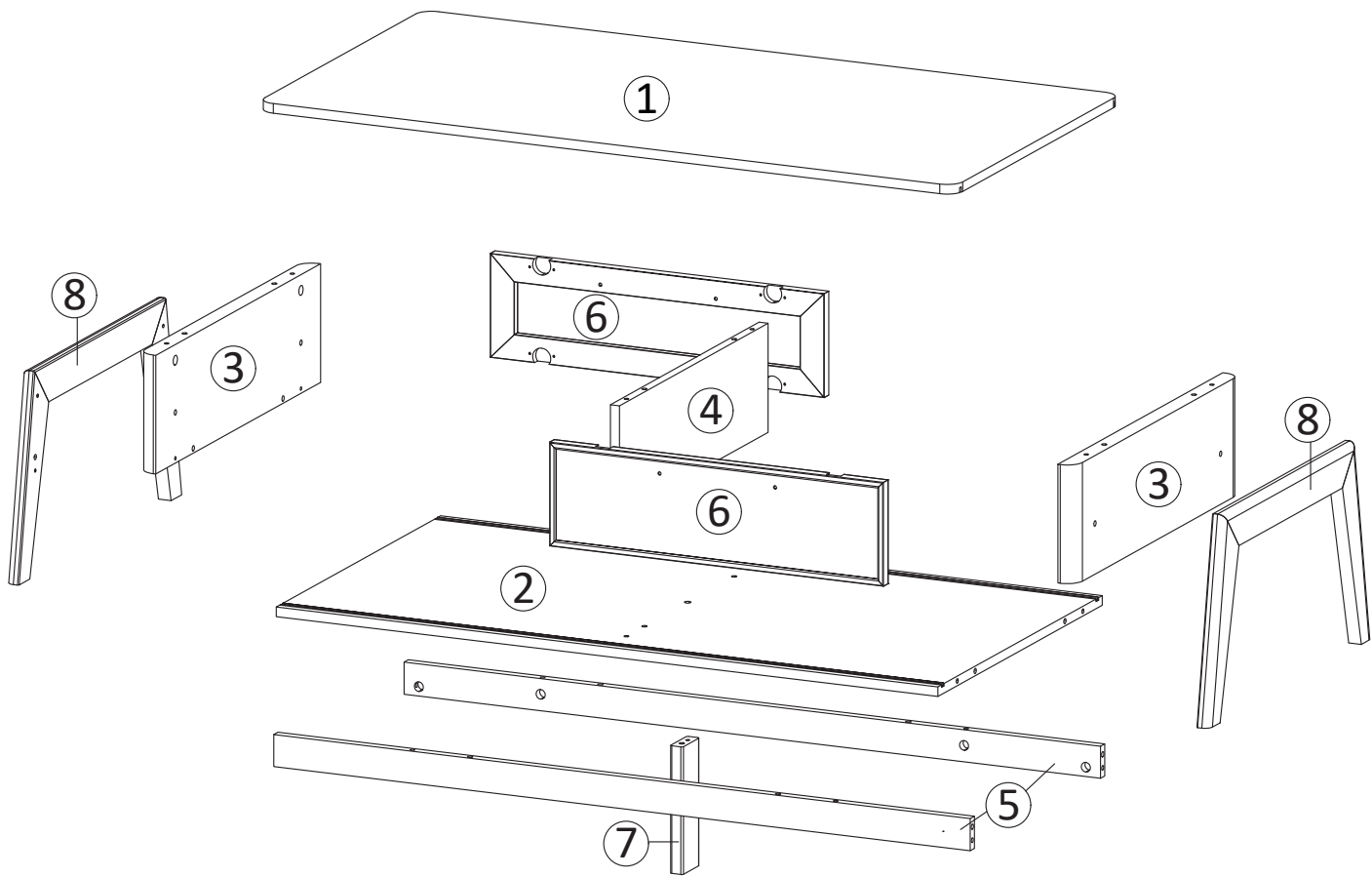
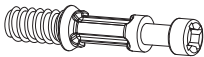
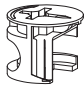

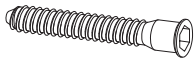

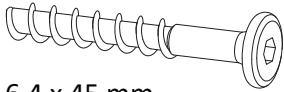


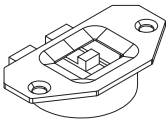
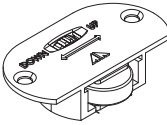






ASSEMBLY INSTRUCTIONS

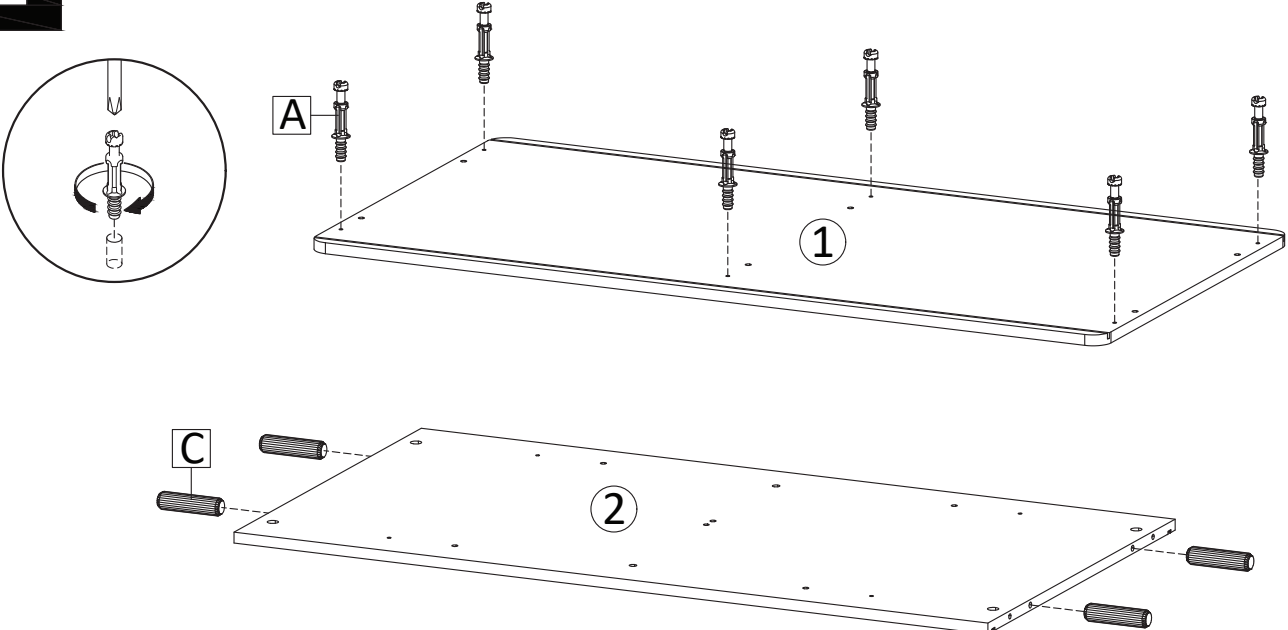




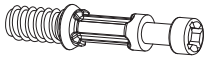
A	x 18	B	x 18	C	x 21	D	x 3
							
Ø6 x 35 mm		Ø15 mm		Ø8 x 30 mm		M 7 x 50 mm	
E	x 1	F	x 4	G	x 4	H	x 2
							
L 4		M 6.4 x 45 mm		M 4 x 18 mm			
I	x 4	J	x 4	K	x 16	L	x 4
							
				M 3.5 x 13 mm			
M	x 4	N	x 2				
							
Ø15 mm		Ø15 mm					

 SET-UP TIME : 60 MINUTES	 NUMBER OF PERSONS : 02	 TOOLS :  (Not Provided)
--	---	--

1




A x 6



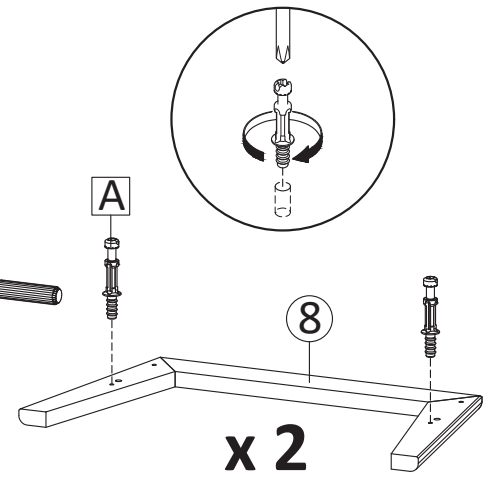
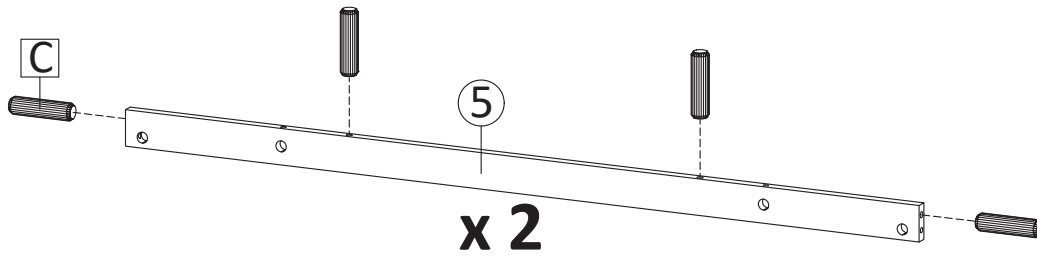
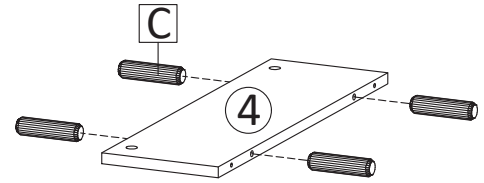
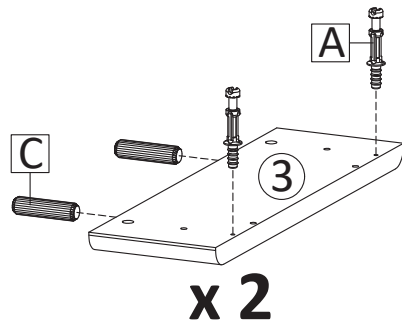
Ø6 x 35 mm

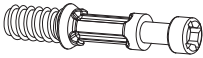

C x 4



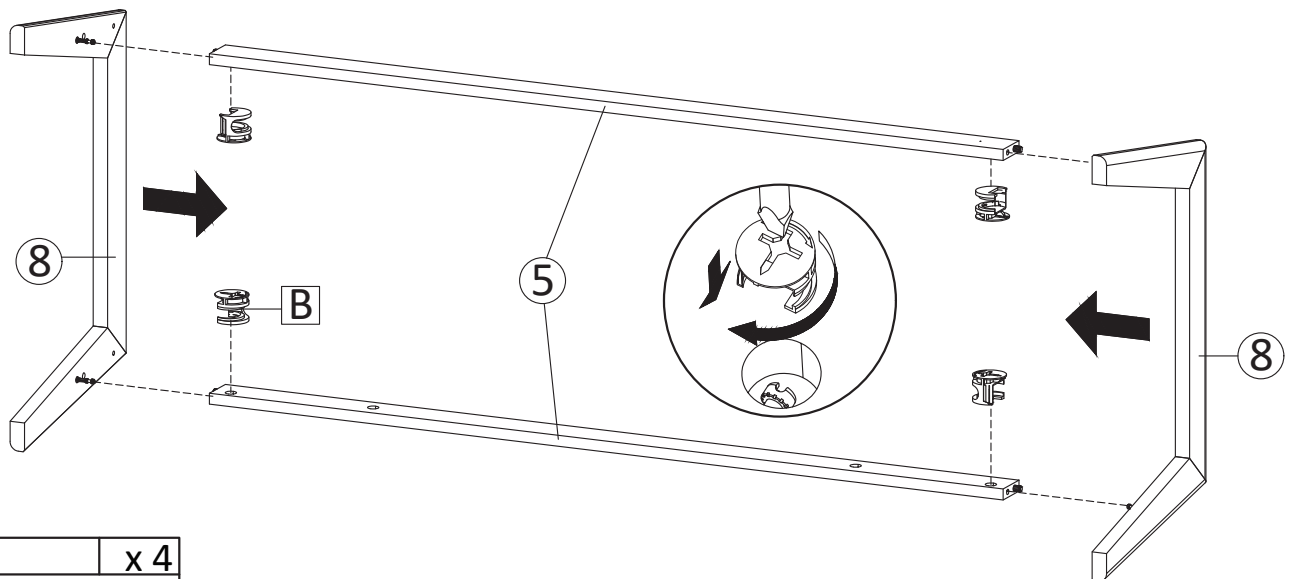
Ø8 x 30 mm


2

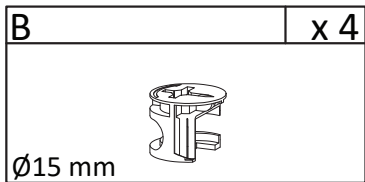
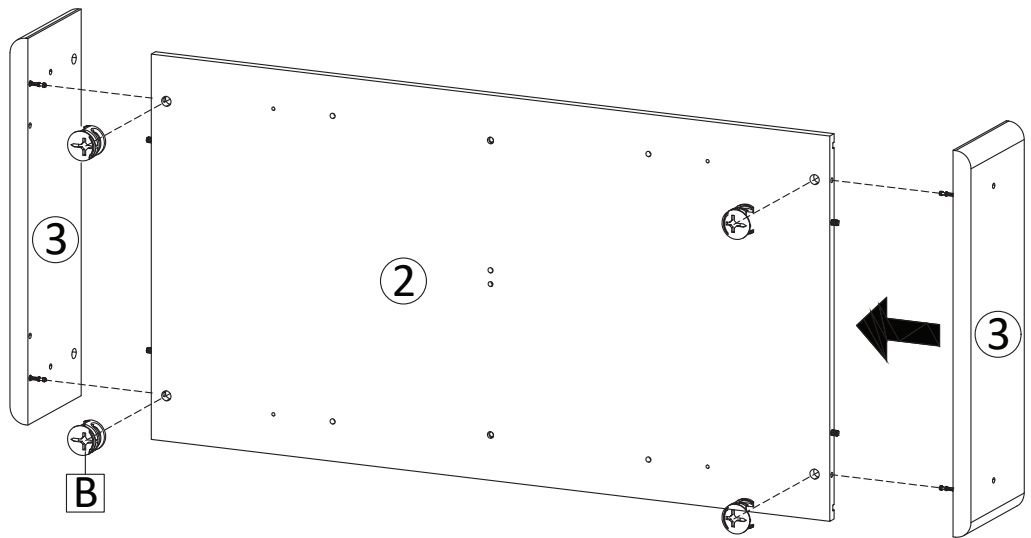
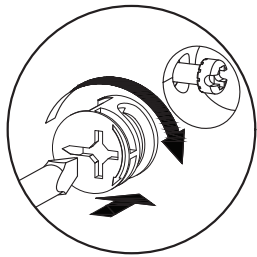
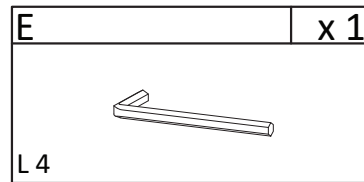
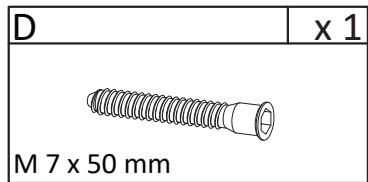
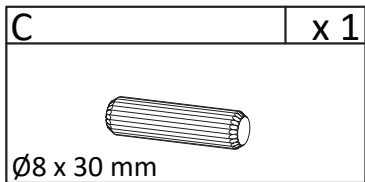
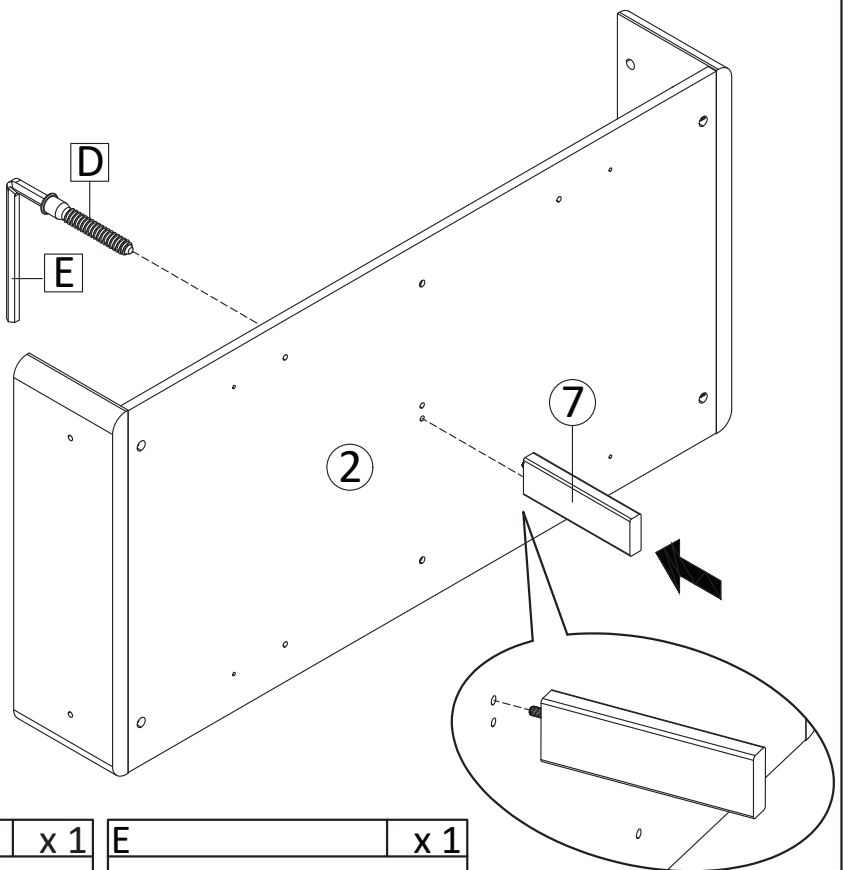
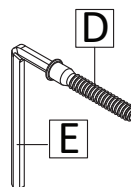
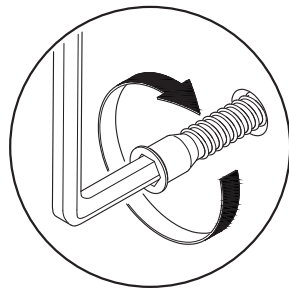
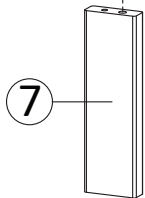
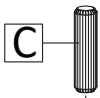


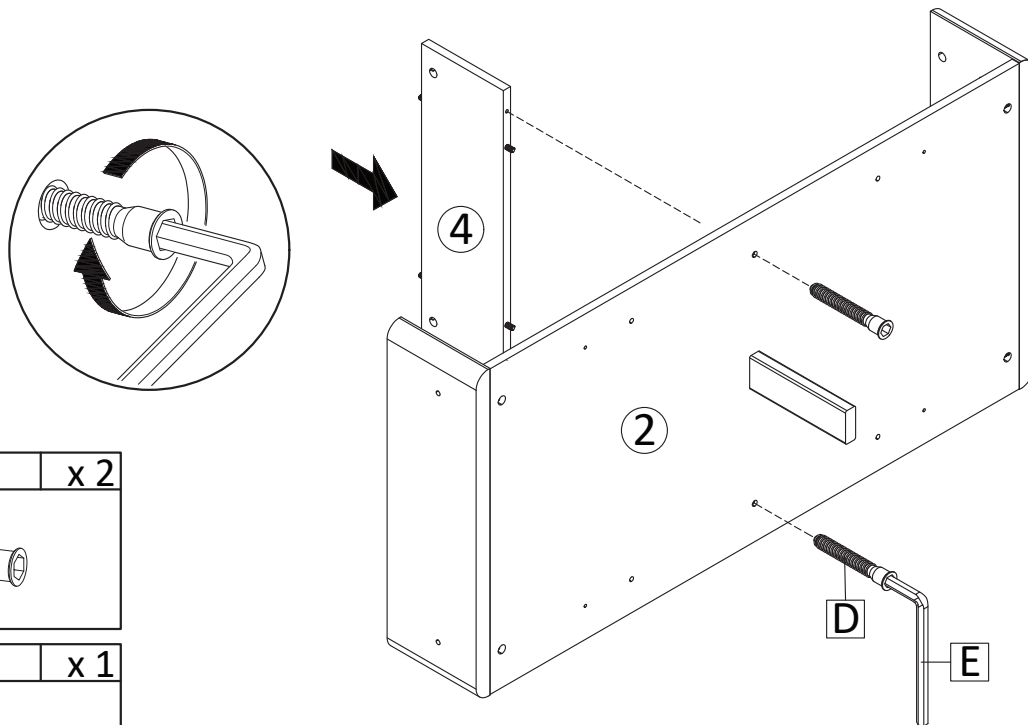
A	x 8	C	x 16
 $\varnothing 6 \times 35 \text{ mm}$		 $\varnothing 8 \times 30 \text{ mm}$	

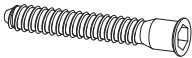
3




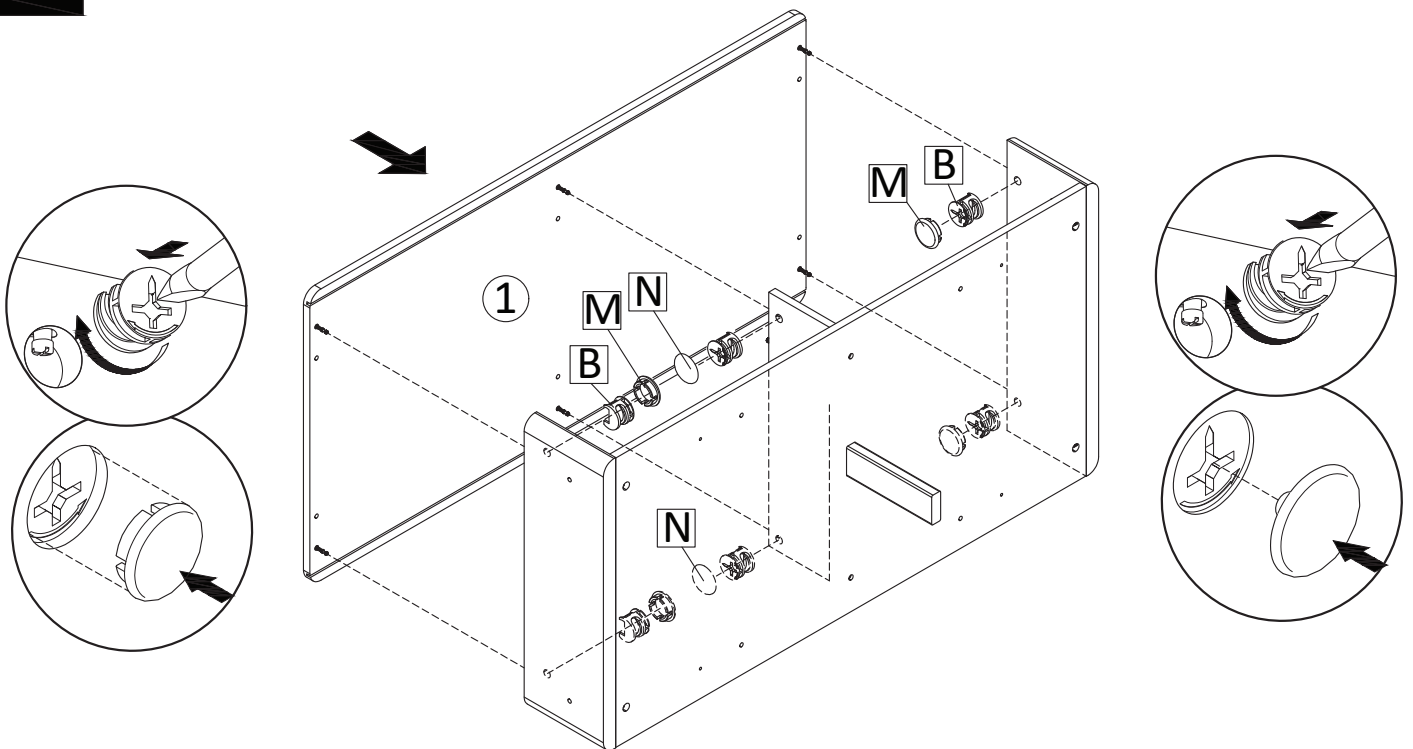
B	x 4
 $\varnothing 15 \text{ mm}$	


4**5**

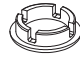
6


D	x 2
	
M 7 x 50 mm	

E	x 1
	
L 4	

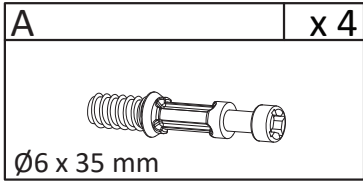
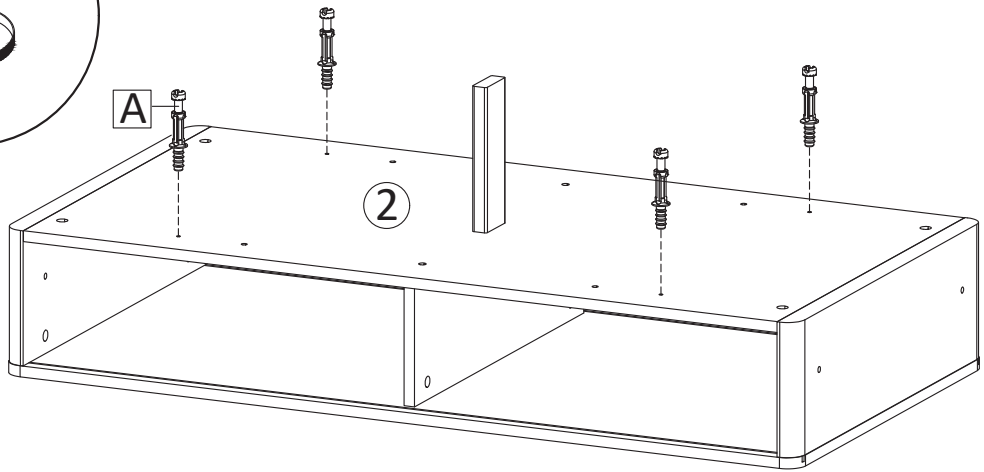
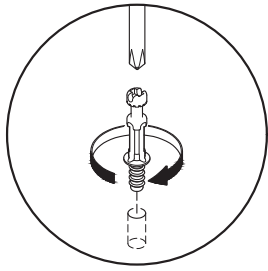
7

B	x 6
	
Ø15 mm	

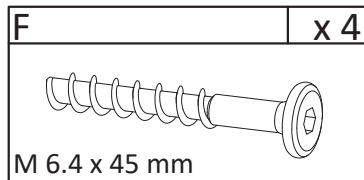
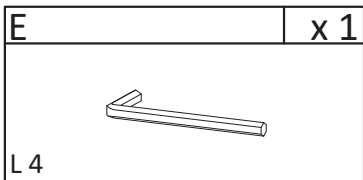
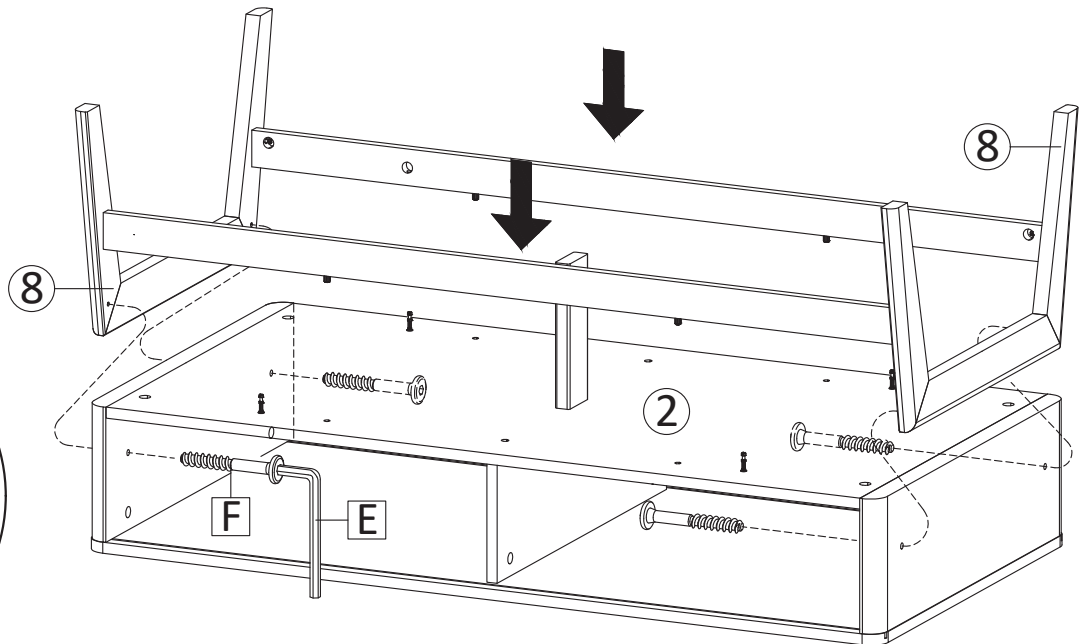
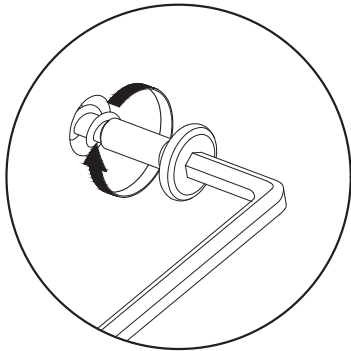
M	x 4
	
Ø15 mm	

N	x 2
	
Ø15 mm	

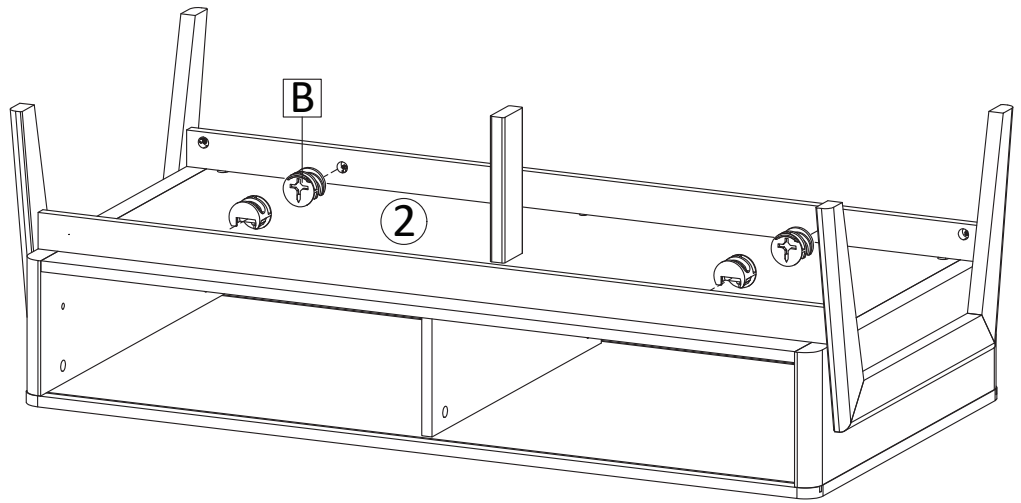
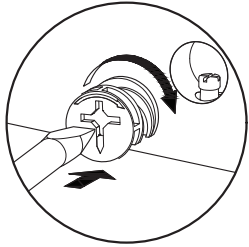
8




9

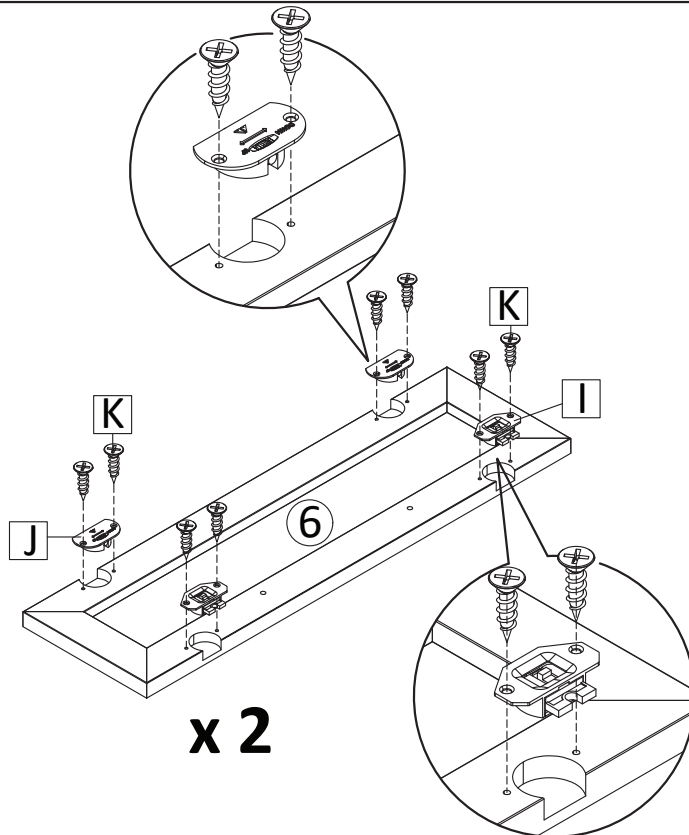


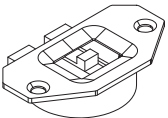
10

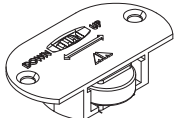



B	x 4
	
Ø15 mm	

11

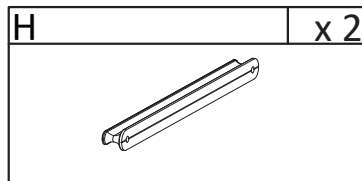
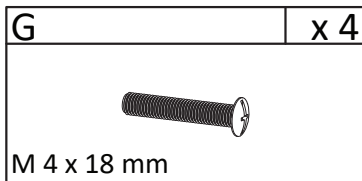
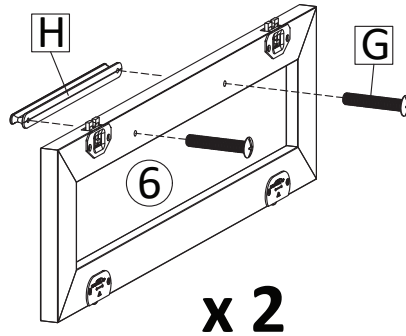
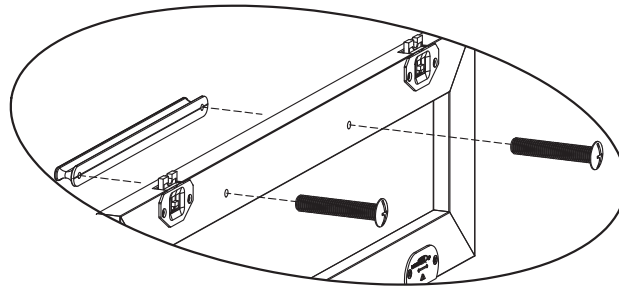


I	x 4
	

J	x 4
	

K	x 16
	
M 3.5 x 13 mm	

12



13

