

ASSEMBLY INSTRUCTIONS  
3 DRAWER BEDSIDE

IMPORTANT: READ THESE INSTRUCTIONS CAREFULLY BEFORE ASSEMBLING OR USING YOUR 3 DRAWER BEDSIDE.

PLEASE KEEP THESE INSTRUCTIONS FOR FUTURE REFERENCE.

**HEALTH & SAFETY:**

DO NOT use this item if any parts are missing, damaged or worn.

DO NOT use this item unless all fixings are secured.

Please keep small parts out of reach of children.

Always use on a level, even surface.

**CARE & MAINTENANCE:**

Assemble in the room of use.

Assembly should be carried out with this item laying flat, not standing upright.

Assemble on a soft, clean surface to prevent damages.

To remove the printed numbers on the pieces, use a moistened cloth.

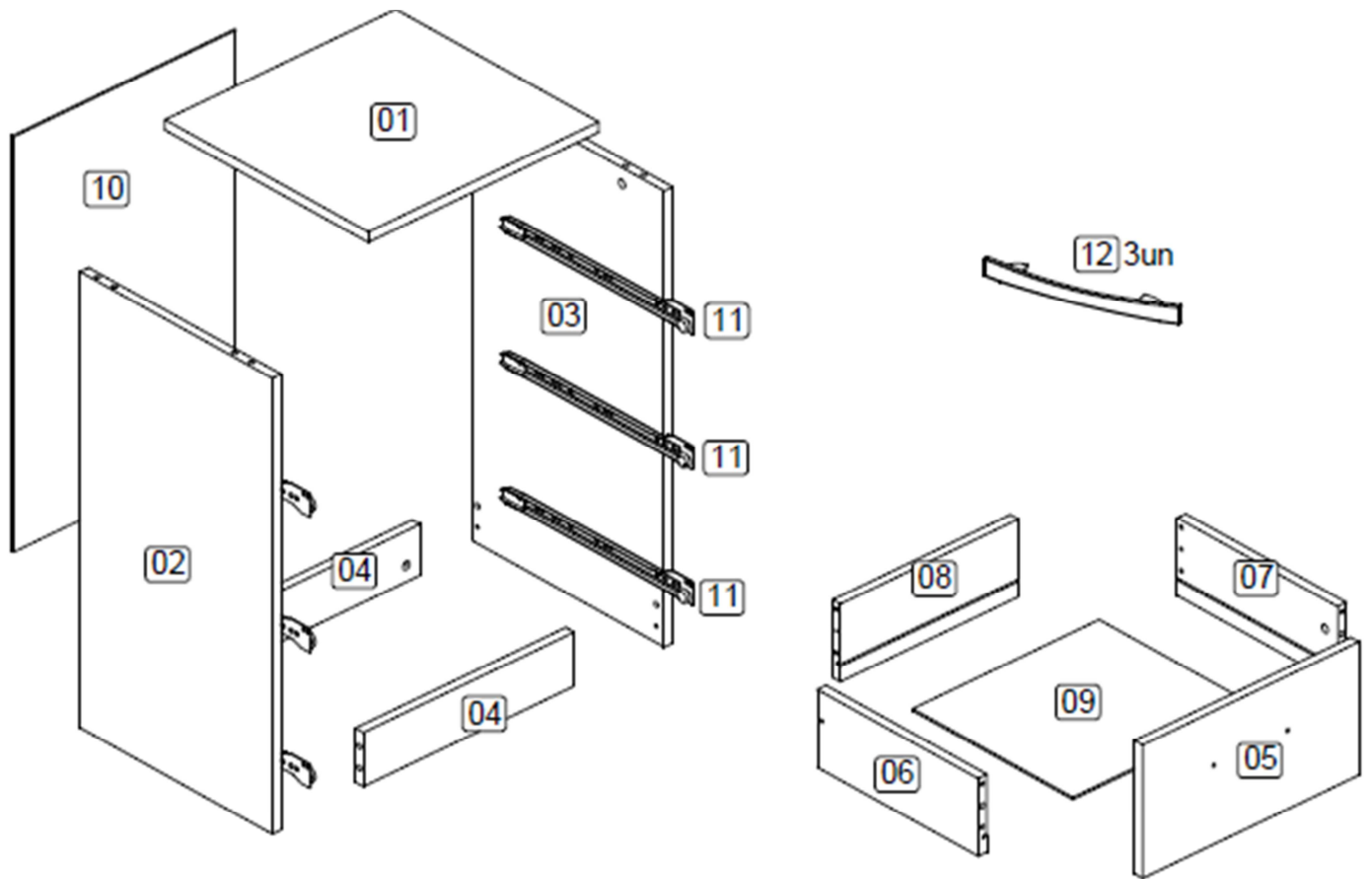
Periodically check all screws & fixings to ensure they are secure.

DO NOT push the item as this will damage the legs.

Always lift the item with two people to reposition.

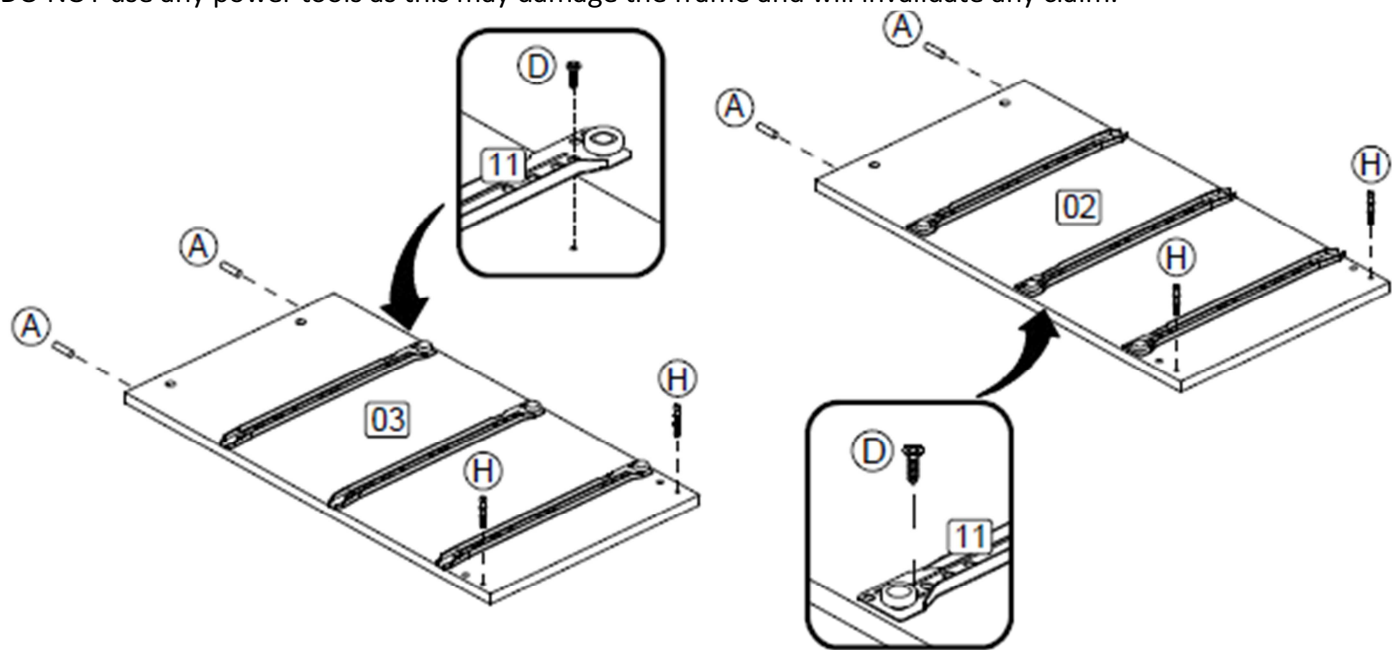
Keep any sharp objects away from the item.



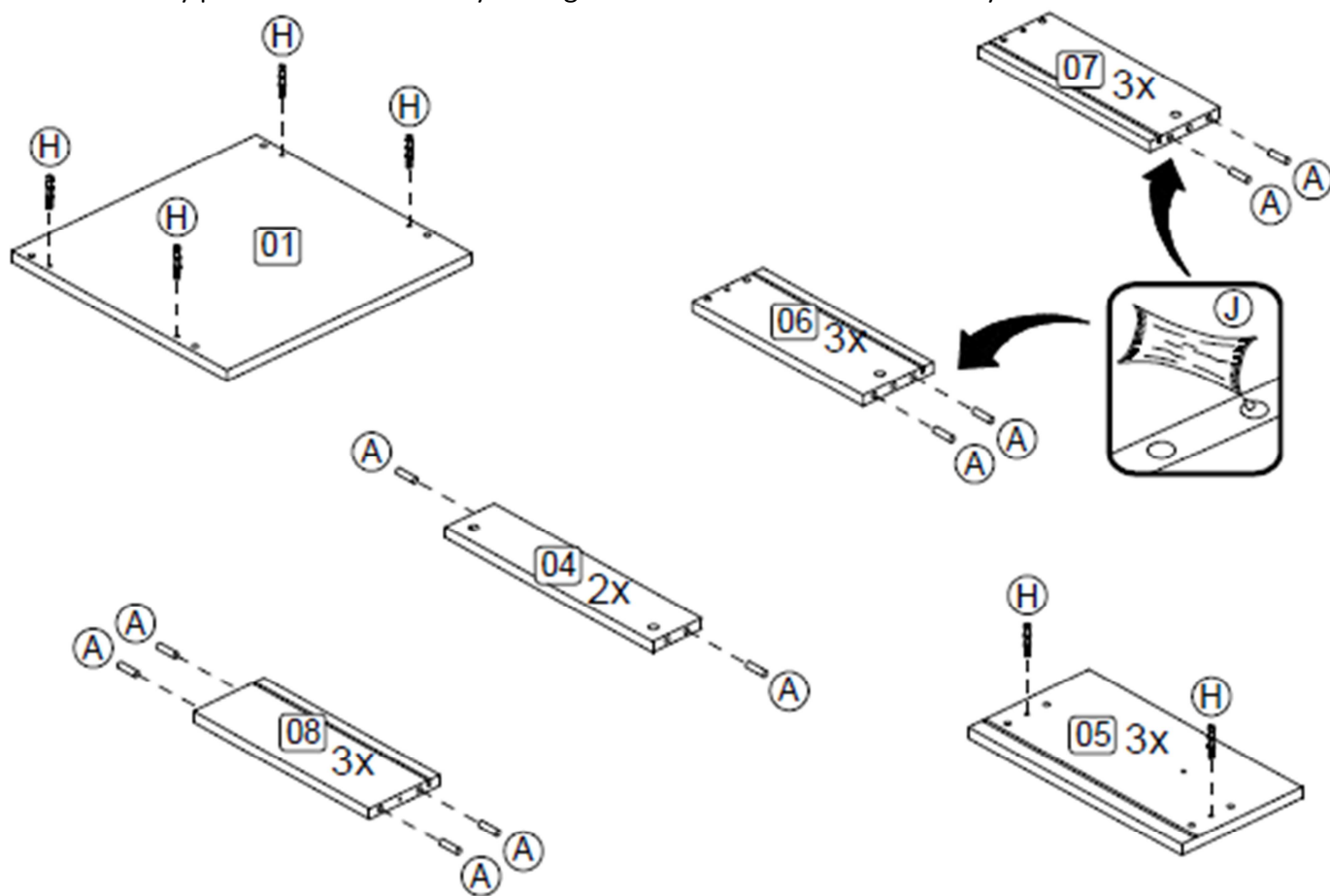


Parts List			Hardware List		
Part	Description	Qty	Part	Description	Qty
1	Top Panel	1	A	8 x 30 mm Wooden Dowel 	32
2	Left Panel	1	C	Plastic Cap 	6
3	Right Panel	1	D	3 x 14 mm Screw 	24
4	Plinth	2	E	3.5 x 25 mm Screw 	6
5	Drawer Front	3	F	4.5 x 45 mm Screw 	6
6	Left Drawer Panel	3	G	10 x 10 mm Tack 	20
7	Right Drawer Panel	3	H	Simple Minifix Screw 	14
8	Drawer Back	3	I	Cam Lock 	14
9	Drawer Base	3	J	Glue 	1
10	Back Panel	1	K	Small Plastic Foot 	4
11	Drawer Runners	3	L	Crayon 	3
12	Handle	3	** You will need a small mallet and a screwdriver for assembly		

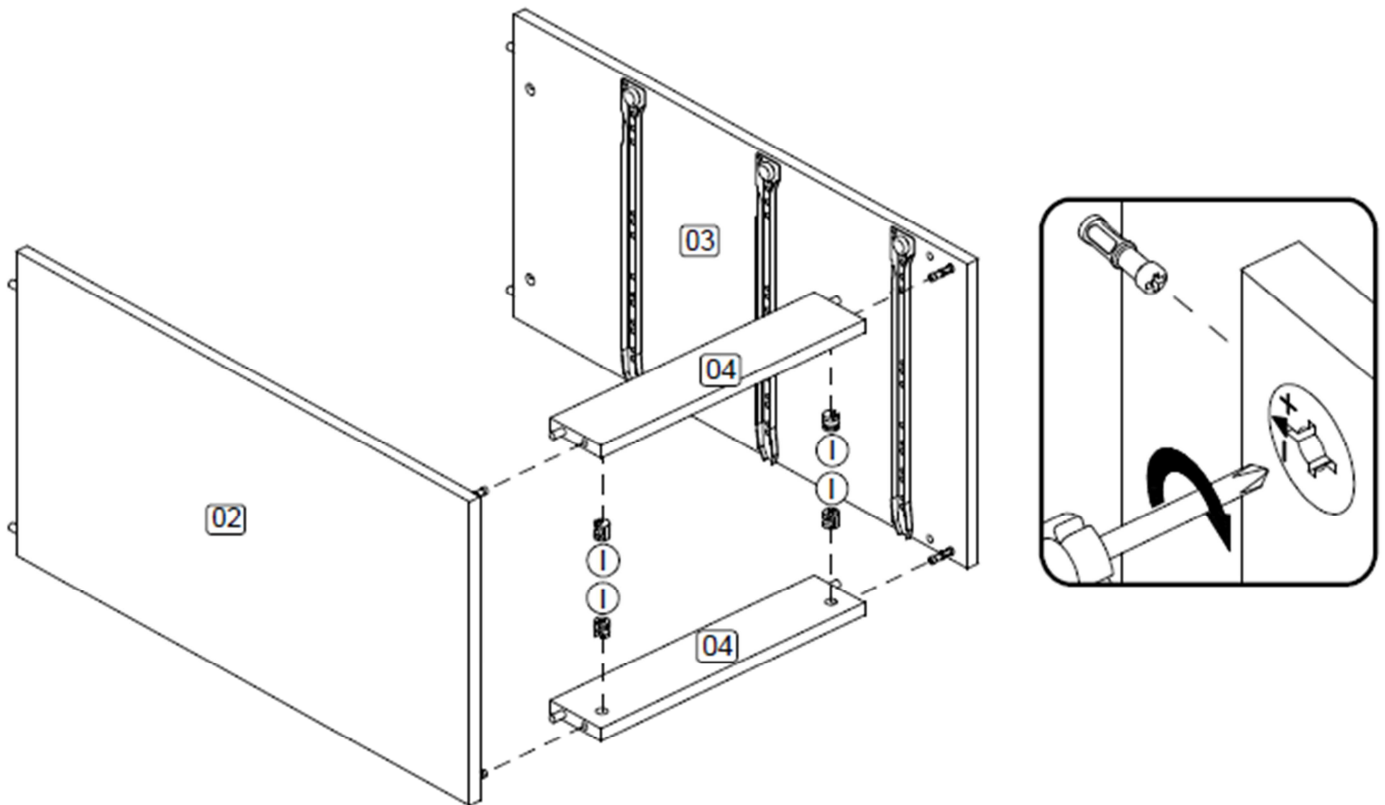
Step 1: Attach the drawer runners (11) to the left panel (2) and right panel (3) using hardware part D. Insert hardware parts A and H into each side panel using a small mallet and screwdriver (not provided). DO NOT use any power tools as this may damage the frame and will invalidate any claim.



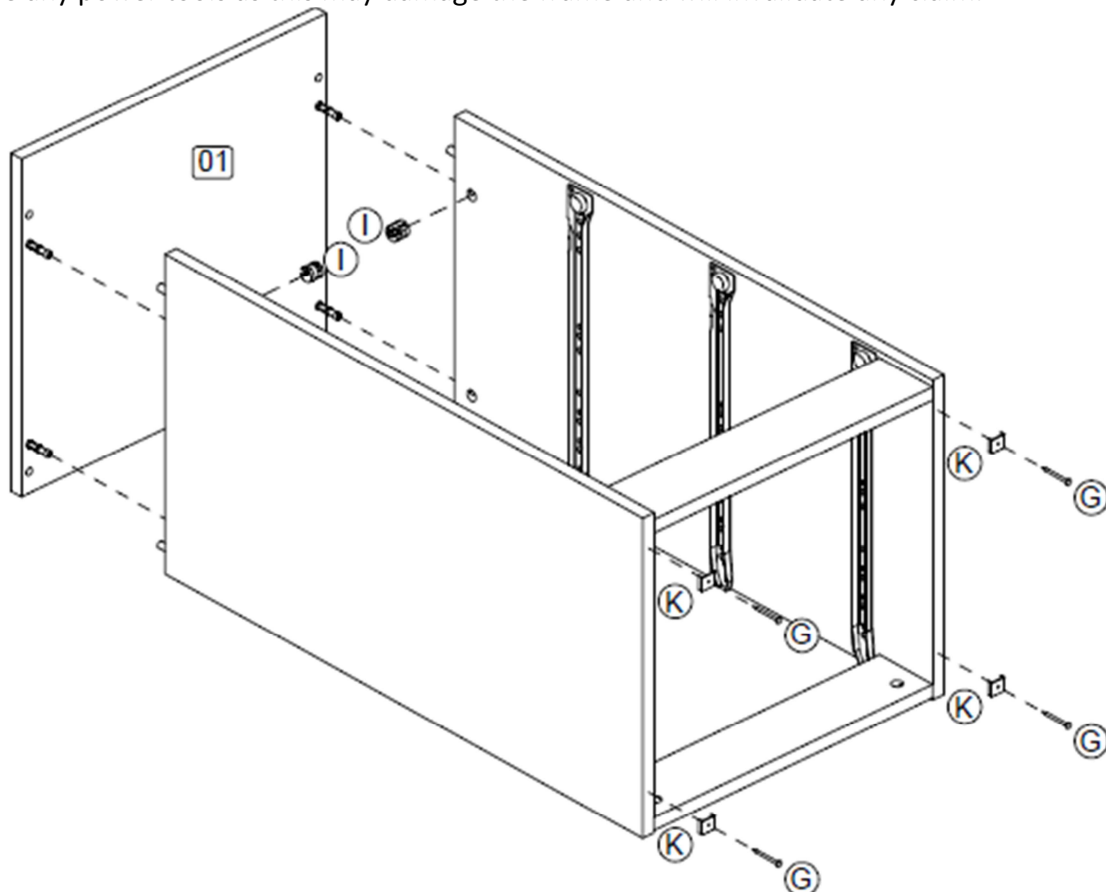
Step 2: Insert hardware parts A and H as shown using hardware part J, a small mallet and a screwdriver (not provided). DO NOT use any power tools as this may damage the frame and will invalidate any claim.



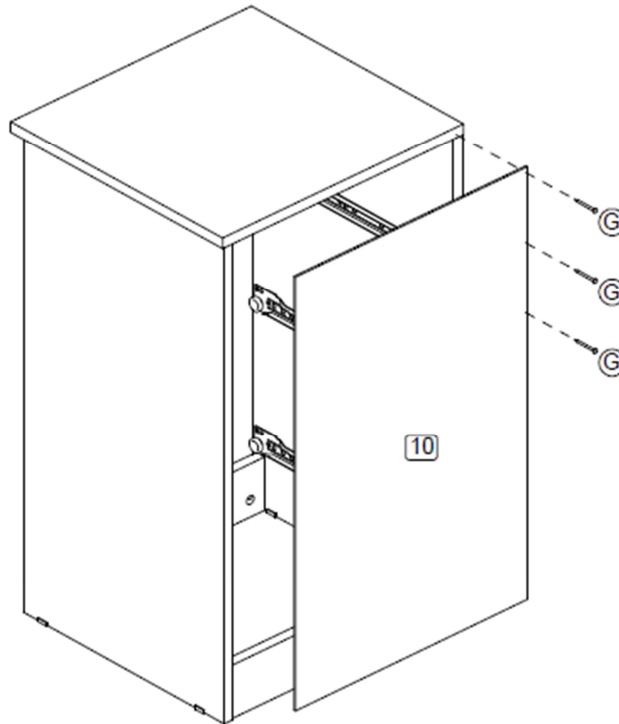
Step 3: Attach the left panel (2) and right panel (3) to the plinths (4) using hardware part I and a screwdriver (not provided).  
DO NOT use any power tools as this may damage the frame and will invalidate any claim.



Step 4: Attach the top panel (1) using hardware parts I then attach hardware parts K to the base using hardware part G. You will need to use a screwdriver (not provided).  
DO NOT use any power tools as this may damage the frame and will invalidate any claim.

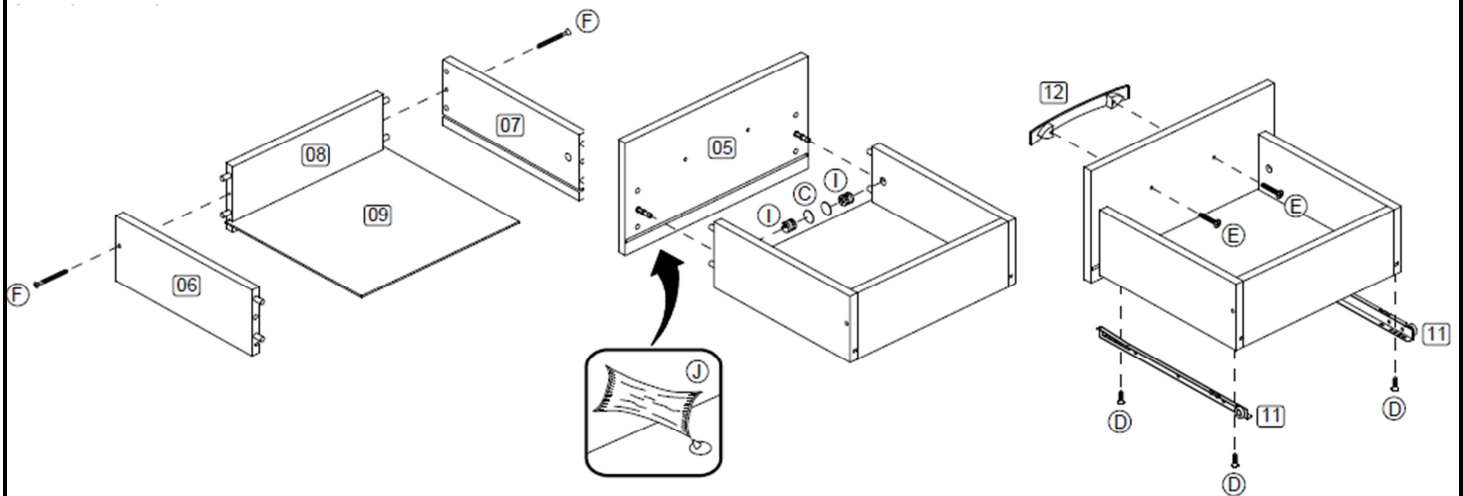


Step 5: Secure the back panel (10) using hardware part G and a small mallet (not provided).  
DO NOT use any power tools as this may damage the frame and will invalidate any claim.



Step 6: Assemble the drawer components using hardware parts C, D, E, F, I and J with a screwdriver (not provided).

DO NOT use any power tools as this may damage the frame and will invalidate any claim.



Additional Information: