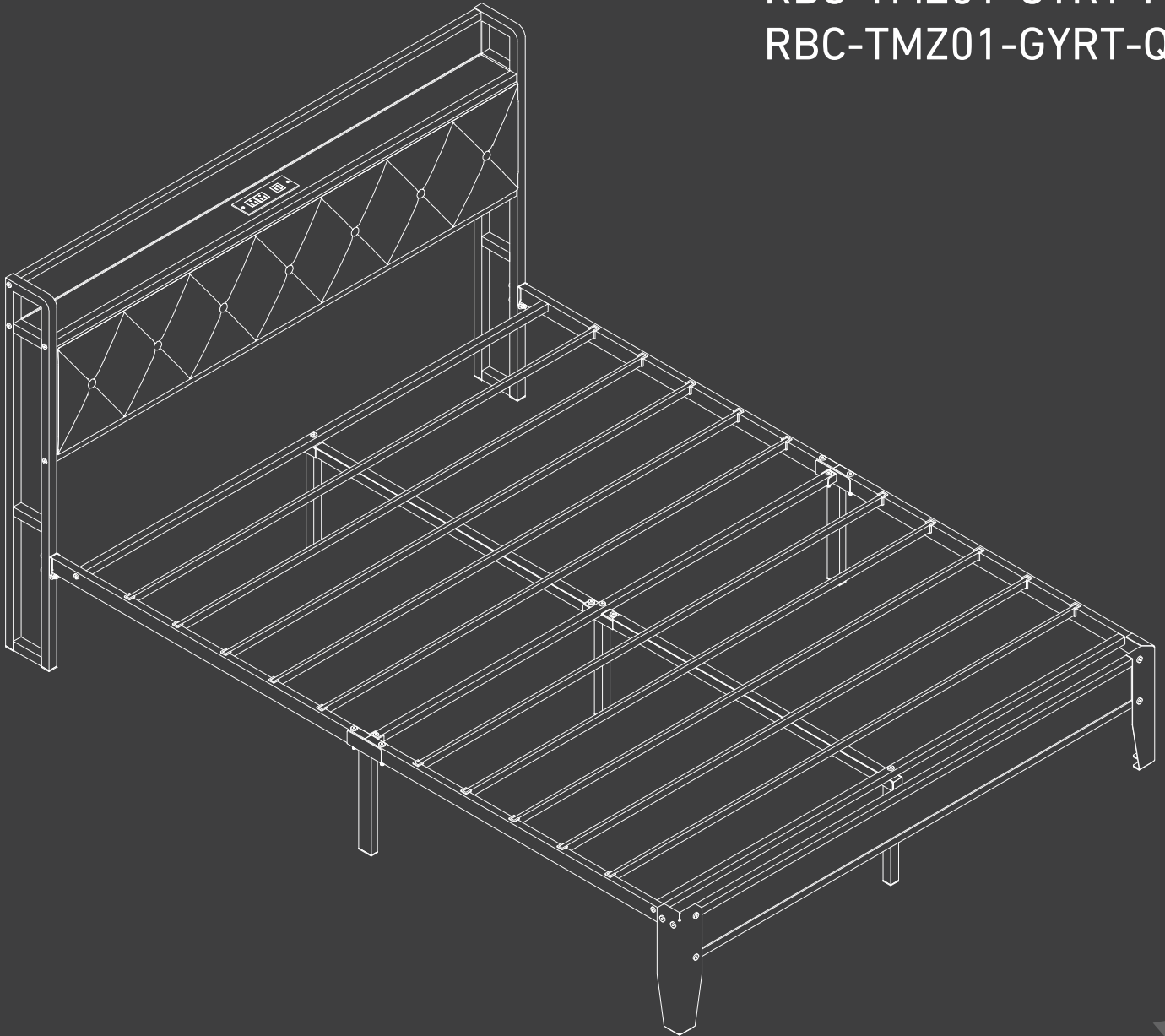


Bed Frame

Instruction Manual

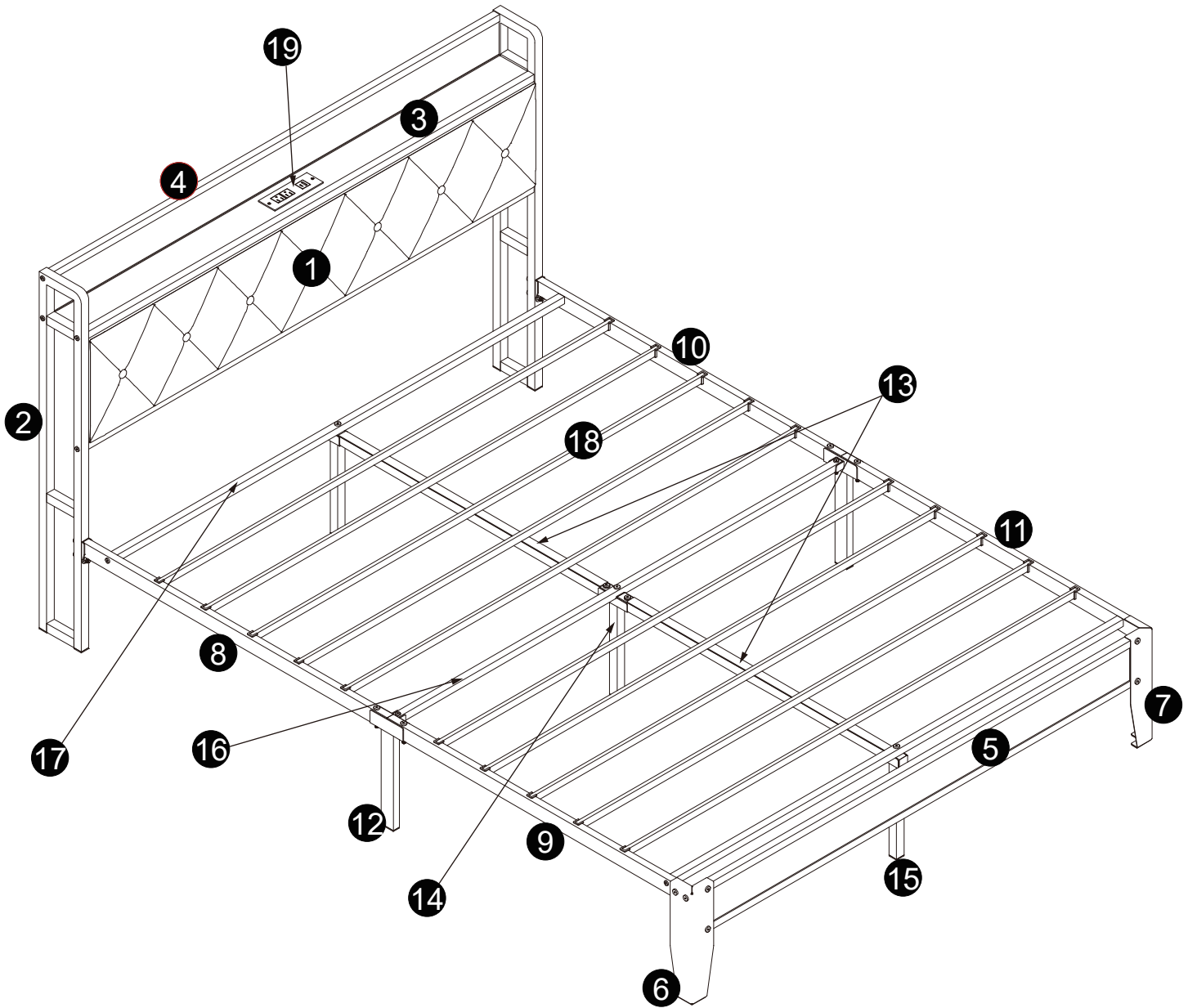
RBC-TMZ01-GYRT-F
RBC-TMZ01-GYRT-Q



 EST 9:00AM--17:00PM

 HJ-Customer-Service@outlook.com

 (909)637-7665 | (909)637-7593



IMPORTANT PRECAUTIONS

Thank you for purchasing our products. Please read the instructions carefully before installation and keep them for future reference. For any assistance, feel free to contact our customer support team.

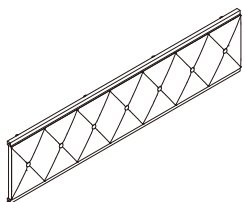
1. The package contains many components and accessories. Each labeled with a letter or number. Please check carefully before use. Keep them away from children to prevent accidents.
2. Install the product on a clean, soft surface (such as a carpet or cardboard) to avoid scratches or damage.
3. The main components of the product are relatively heavy. Please handle with care and follow safety precautions.
4. The product may be unstable during installation. Do not move it until fully assembled.
5. If you have any questions during installation, please contact customer service promptly.

***PLEASE FOLLOW THE INSTALLATION STEPS IN THE MANUAL TO AVOID UNNECESSARY ISSUES CAUSED BY IMPROPER INSTALLATION.**

***IF YOU NEED FURTHER ASSISTANCE, PLEASE CONTACT CUSTOMER SERVICE ONLINE.**

1 PARTS LIST

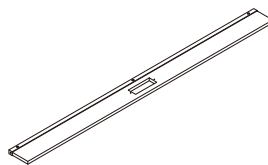
1 x1



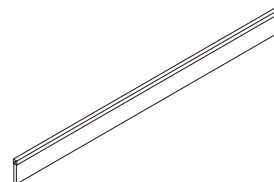
2 x2



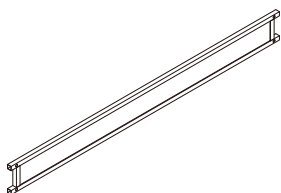
3 x1



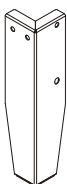
4 x1



5 x1



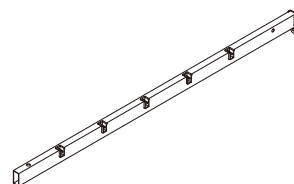
6 x1



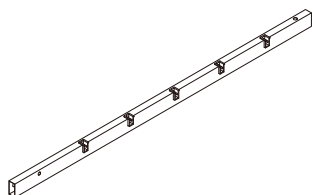
7 x1



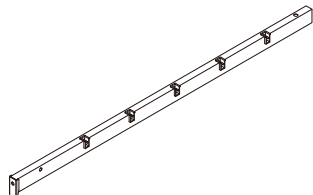
8 x1



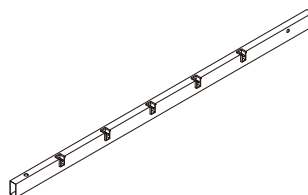
9 x1



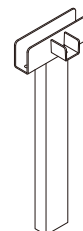
10 x1



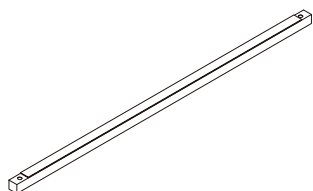
11 x1



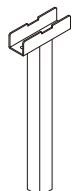
12 x2



13 x2



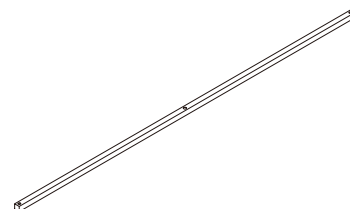
14 x1



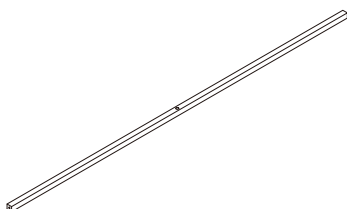
15 x2



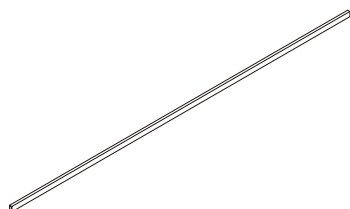
16 x1



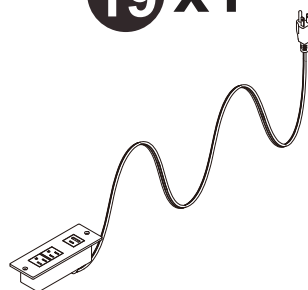
17 x2



18 x10

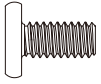


19 x1



2 HARDWARE LIST

A x4



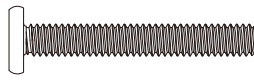
1/4" x 10mm

B x9



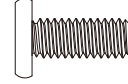
1/4" x 30mm

C x8



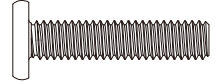
1/4" x 45mm

D x8



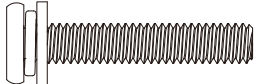
5/16" x 19mm

E x2



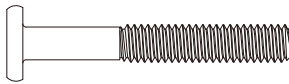
5/16" x 35mm

F x4



5/16" x 45mm

G x7



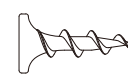
5/16" x 55mm

H x2



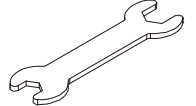
5/16"

I x2



M3.5 x 13mm

J x1



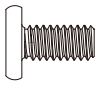

1/4" x 5/16"

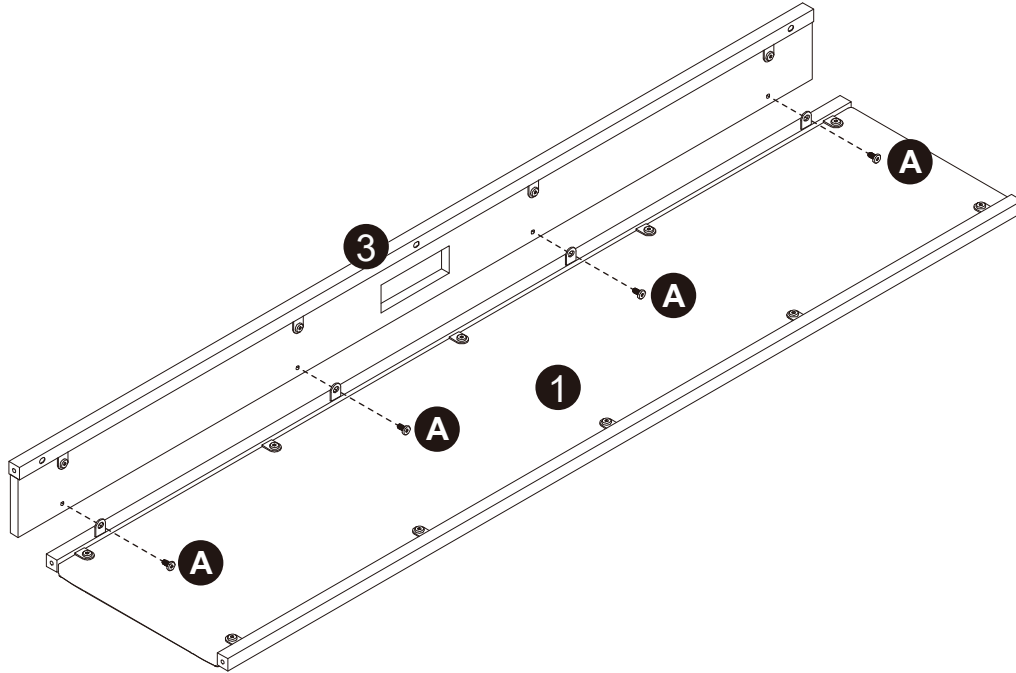
K x1





M4 x 100mm

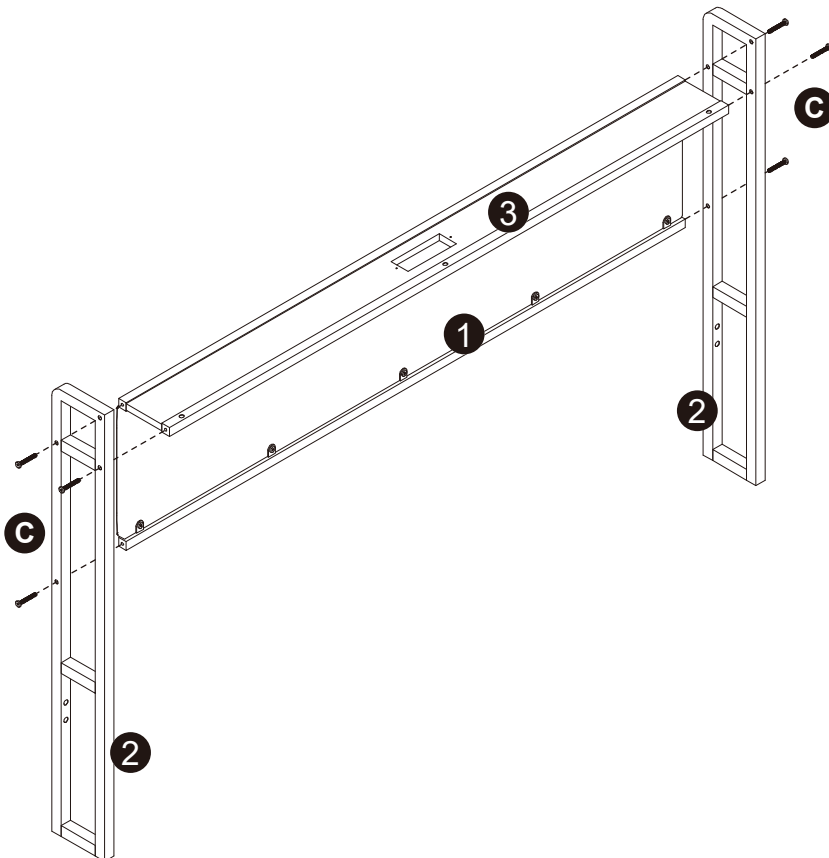
Step 1

	
1/4" x 10mm	M4 x 100mm
A*4	K*1






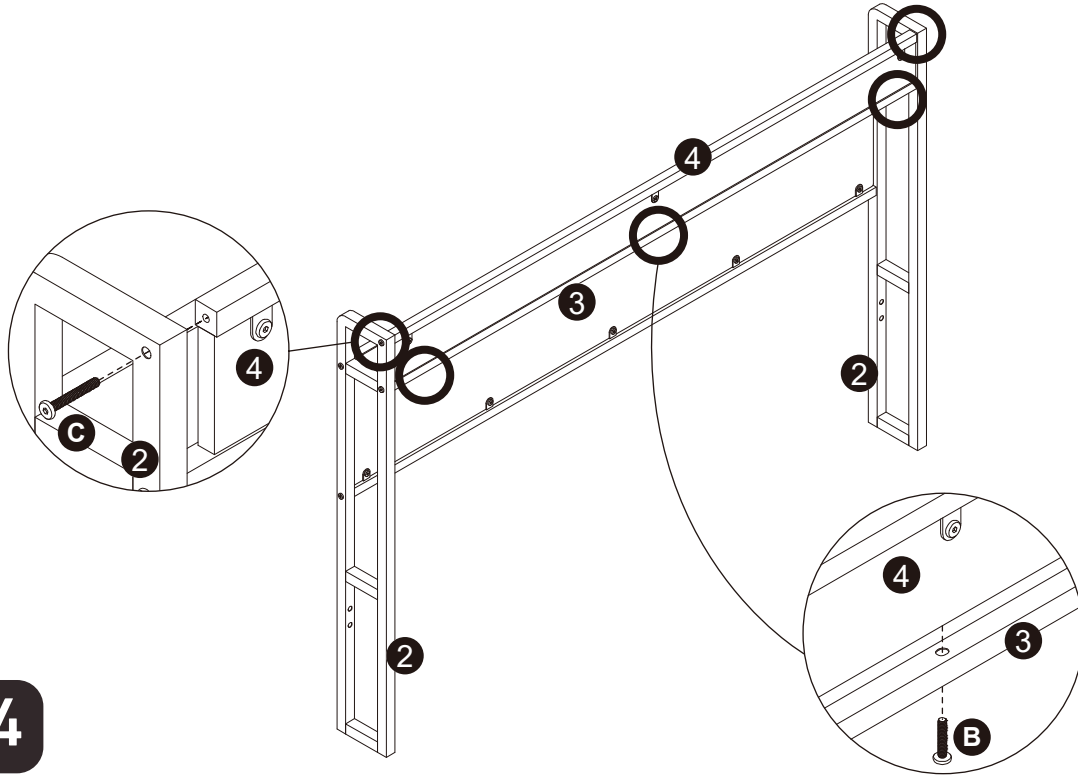
Step 2

	
1/4" x 45mm	M4 x 100mm
C*6	K*1

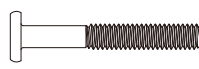



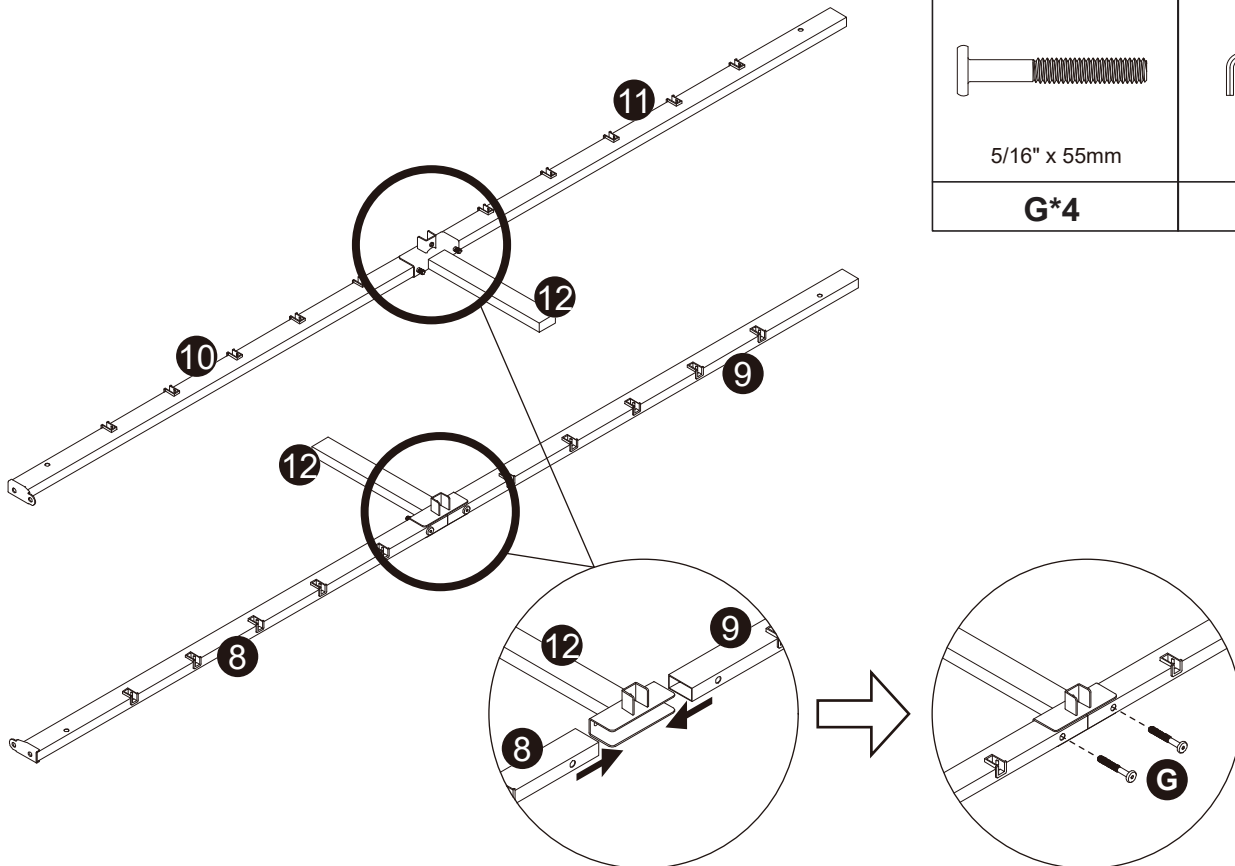
Step 3

		
1/4" x 30mm	1/4" x 45mm	M4 x 100mm
B*3	C*2	K*1

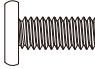



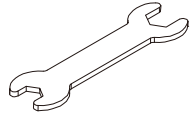


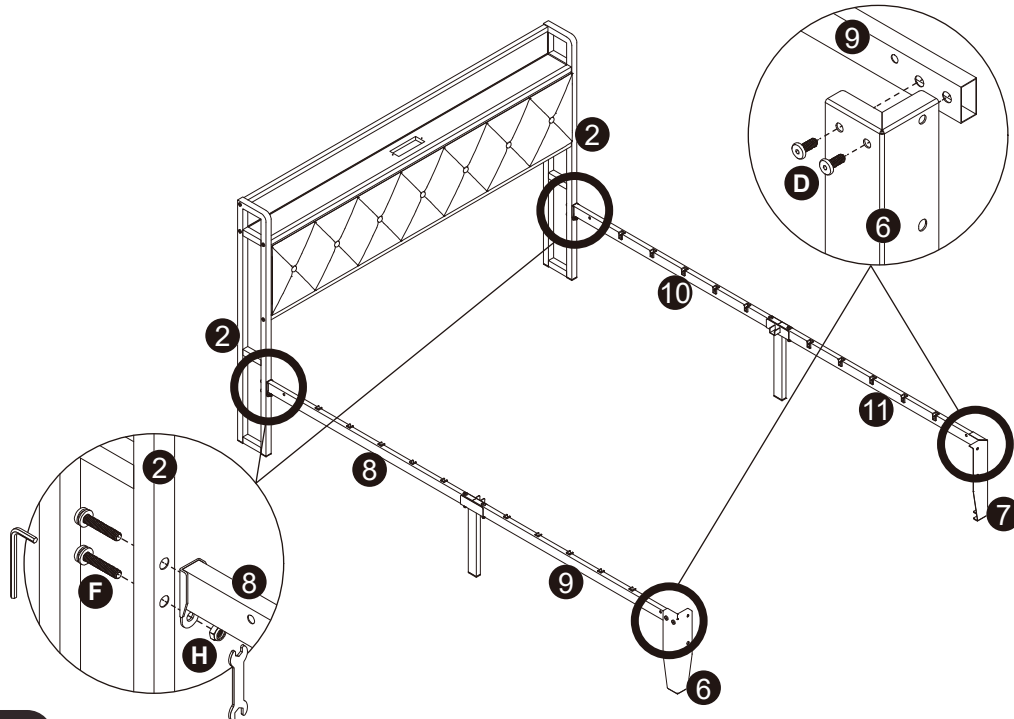
Step 4

	
5/16" x 55mm	M4 x 100mm
G*4	K*1

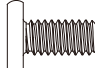



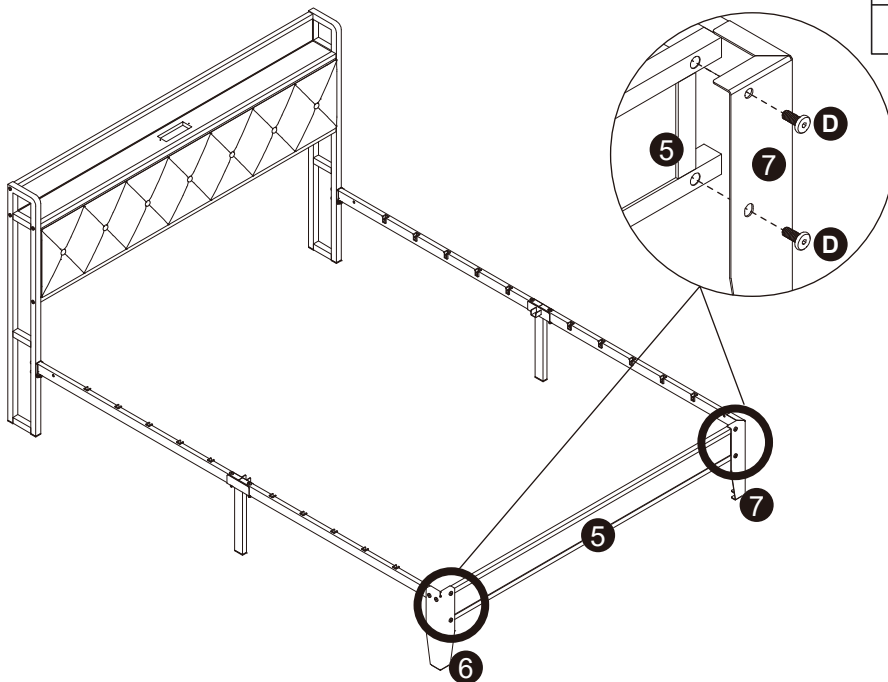
Step 5

				
5/16" x 19mm	5/16" x 45mm	5/16"	M4 x 100mm	1/4" x 5/16"
D*4	F*4	H*2	K*1	J*1

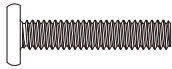



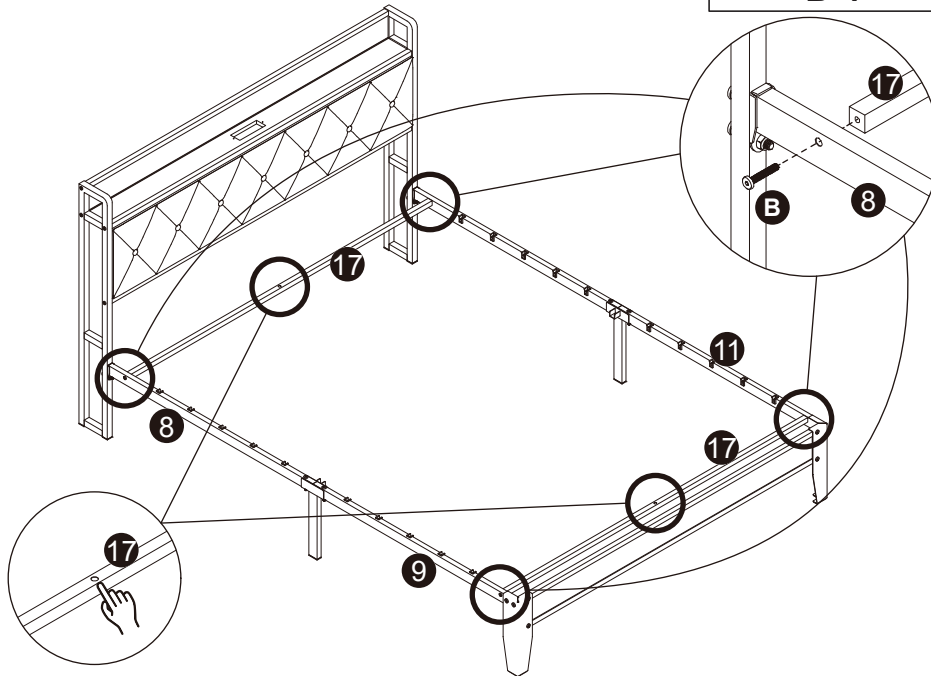
Step 6

	
5/16" x 19mm	M4 x 100mm
D*4	K*1

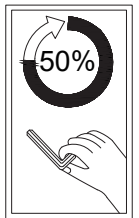


Step 7

	
1/4" x 30mm	M4 x 100mm
B*4	K*1

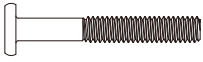




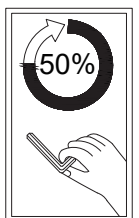
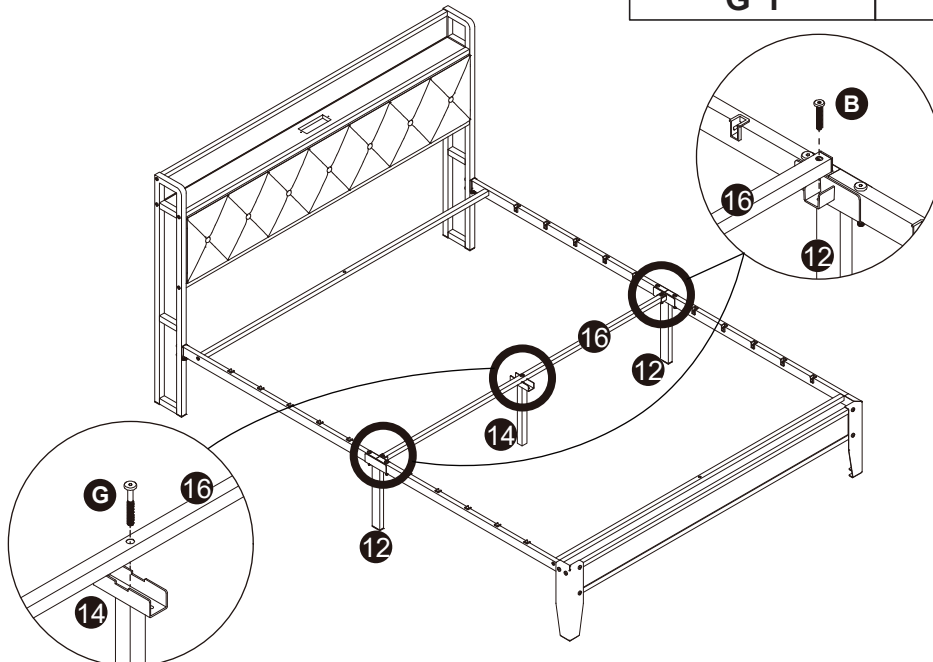
The holes should face upwards.



Tighten the screws by 50%.


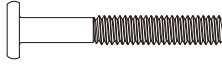

Step 8

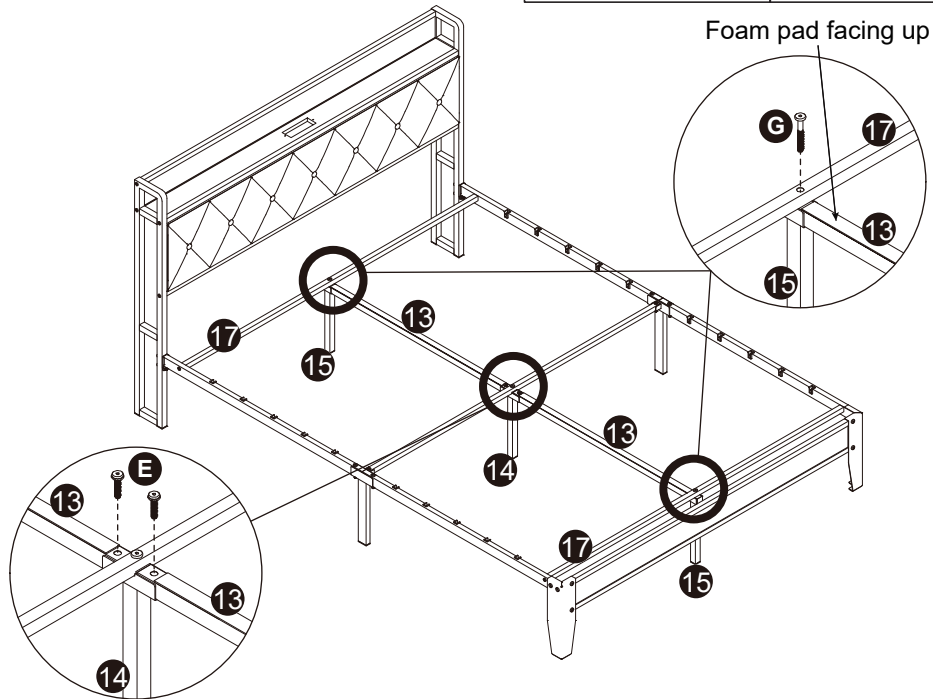
		
5/16" x 55mm	1/4" x 30mm	M4 x 100mm
G*1	B*2	K*1




Tighten the screws by 50%.

Step 9

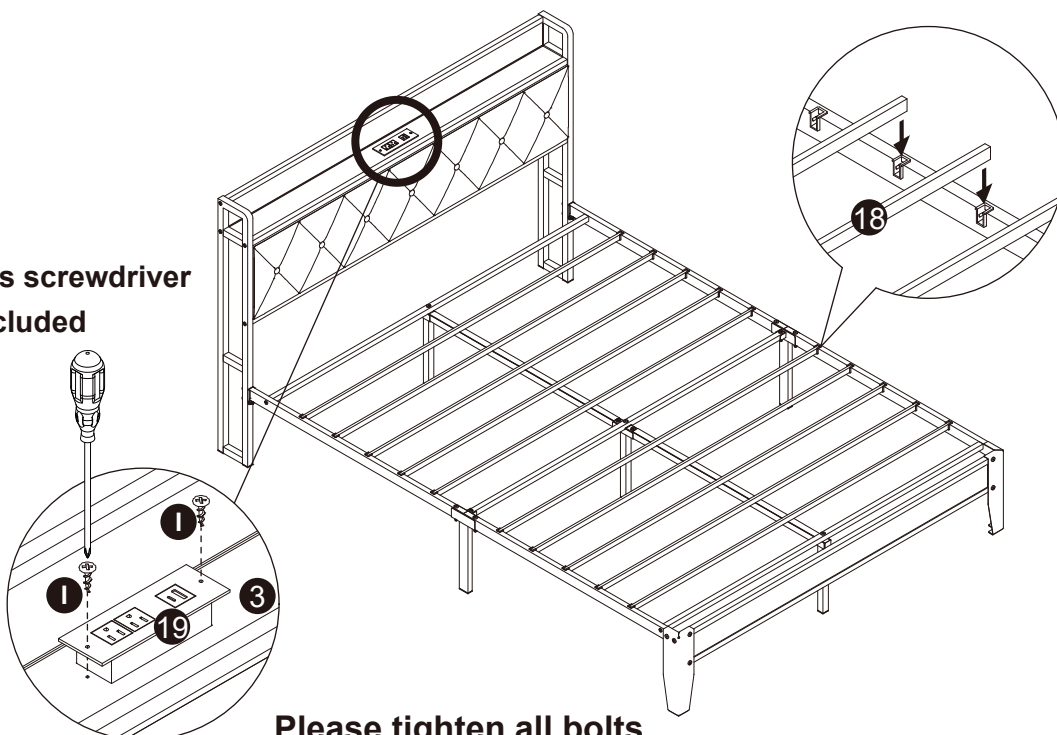
		
5/16"×35mm	5/16" x 55mm	M4 x 100mm
E*2	G*2	K*1

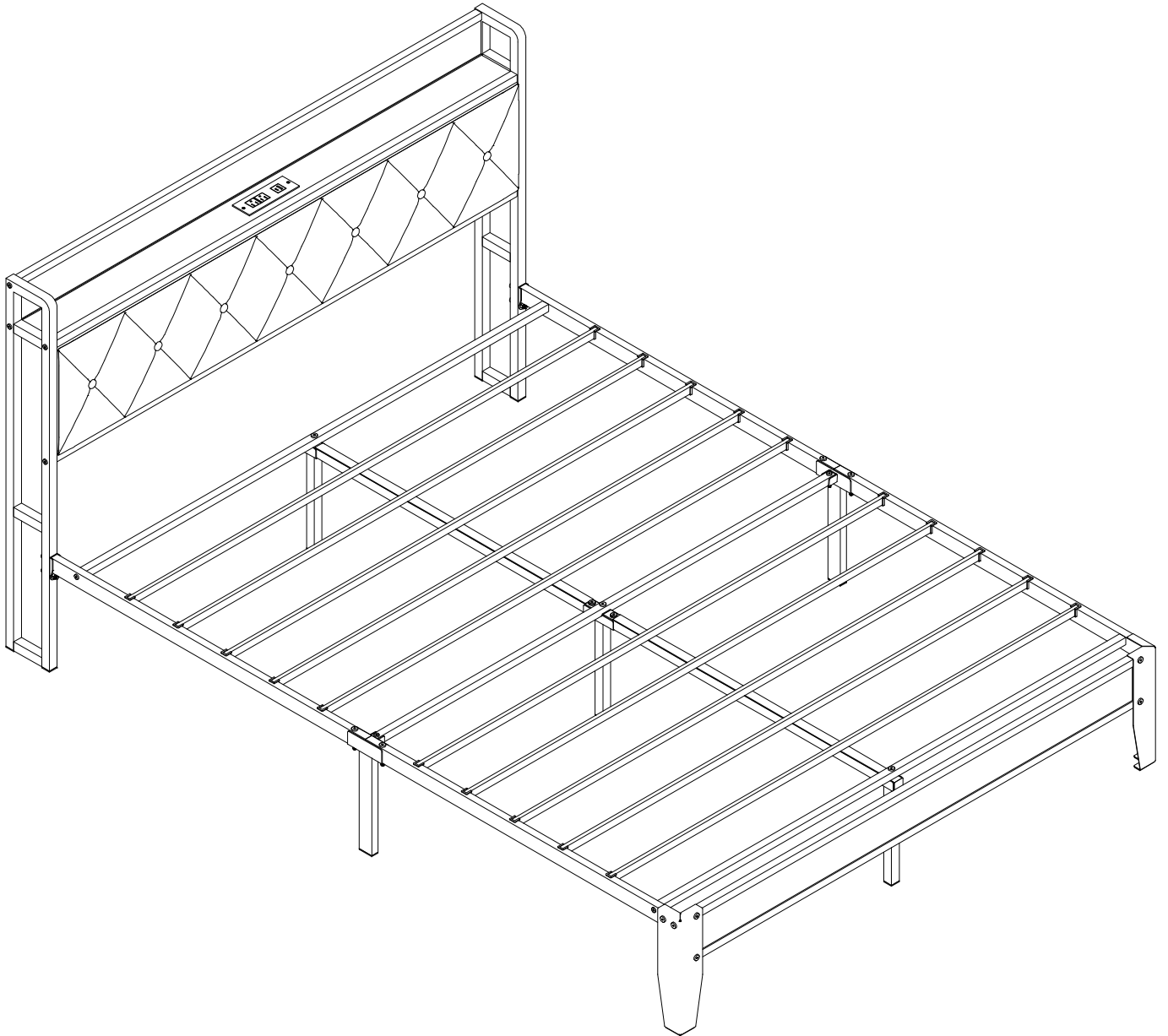


Step 10


M3.5 x 13mm
I*2

Phillips screwdriver
not included





Technical Support

(909)637-7665 | (909)637-7593

Other Info

HJ-Customer-Service@outlook.com

Thank you for choosing this product. We strive to provide you with the best quality products and service in the industry. Should you have any issues, please don't hesitate to contact us.