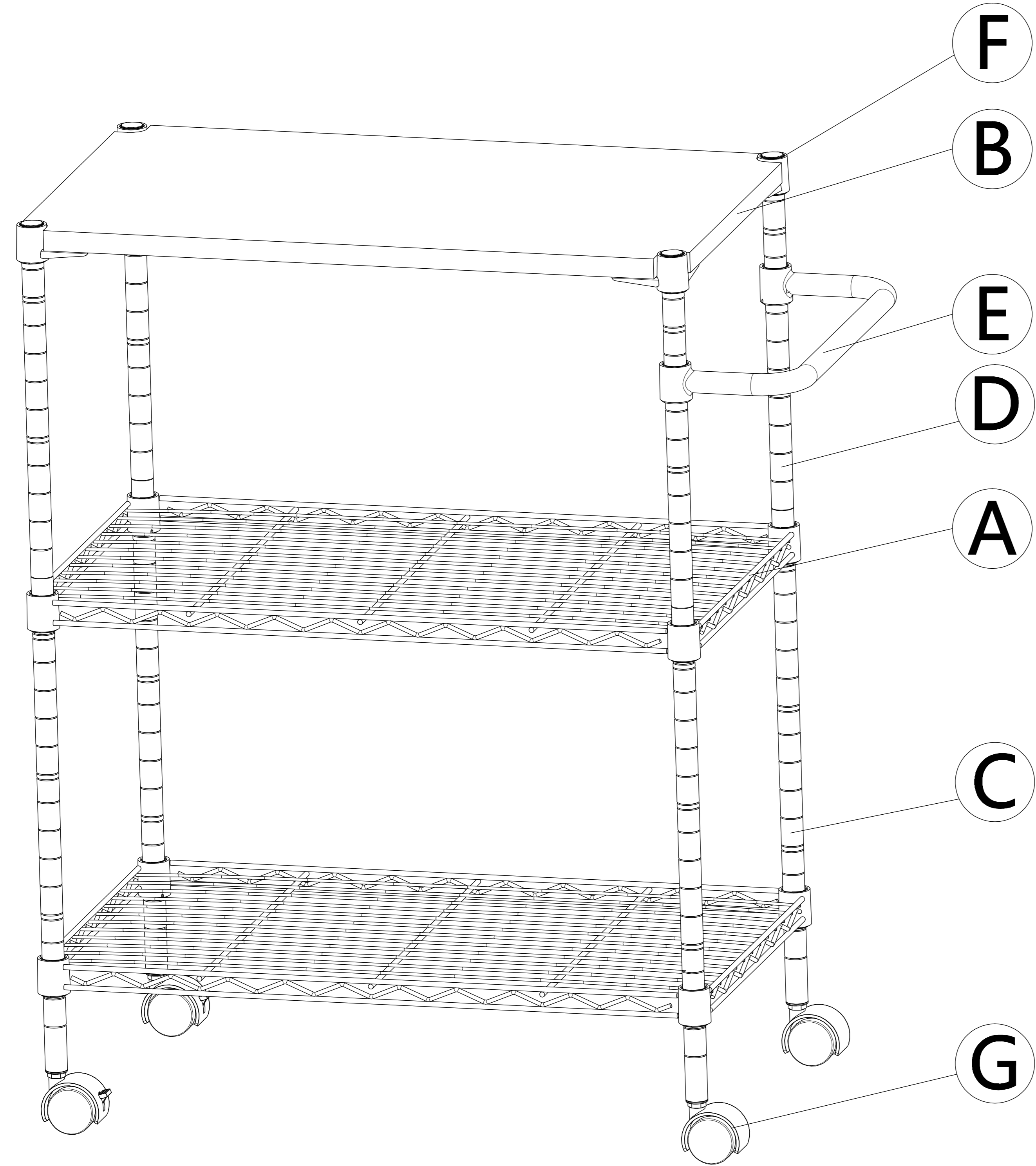


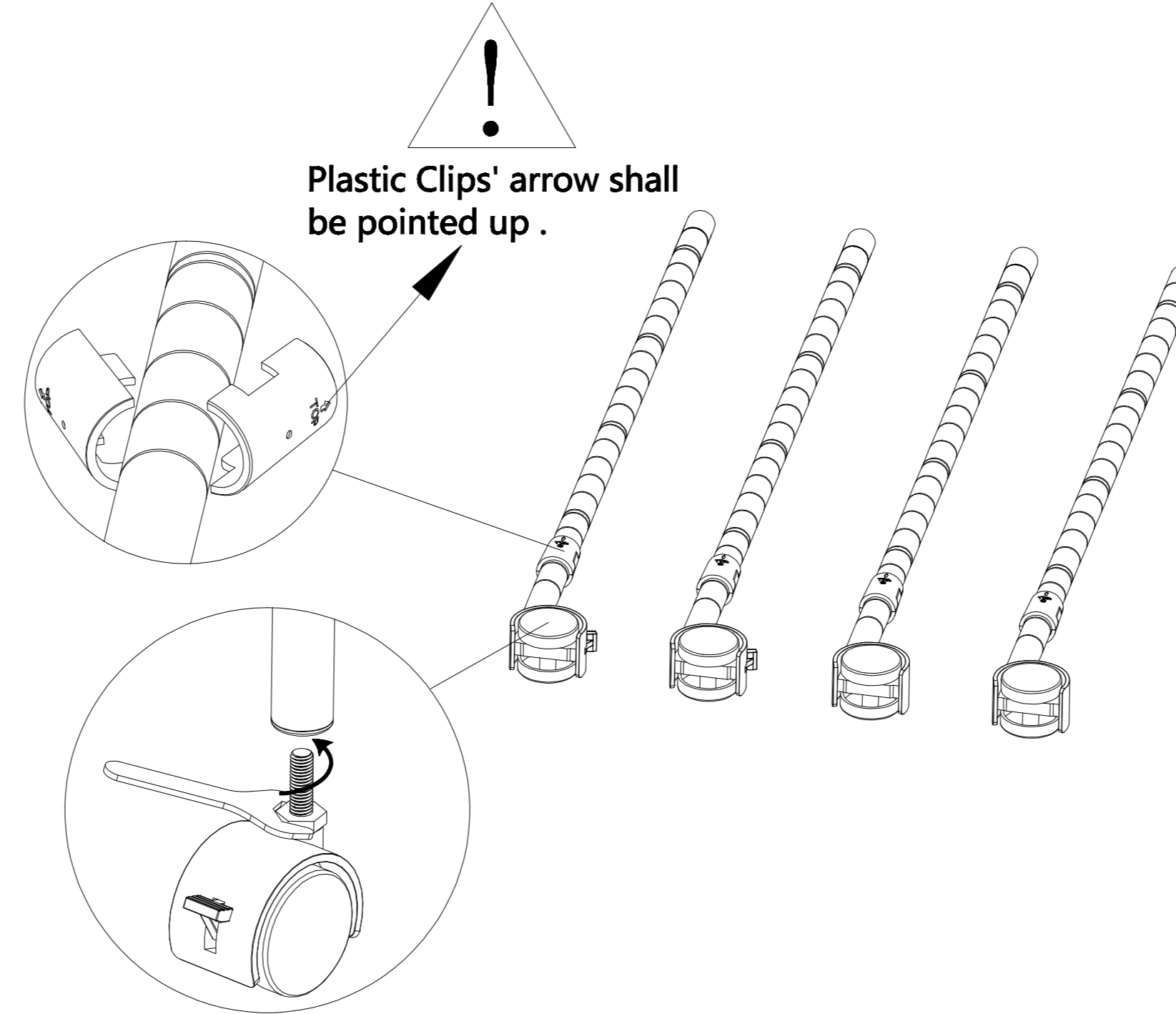
INSTRUCTION

METAL KITCHEN CART

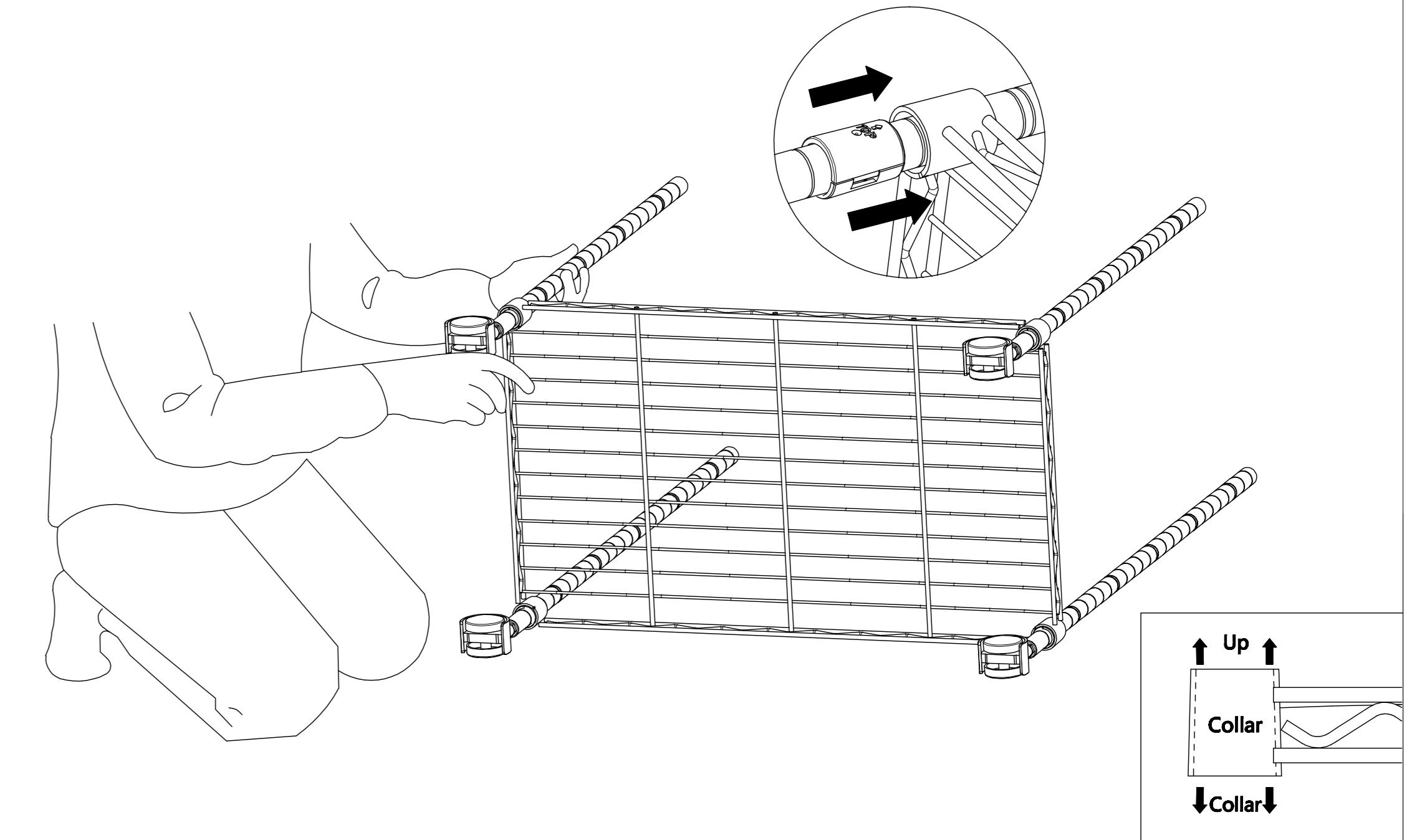
Assembly Steps:



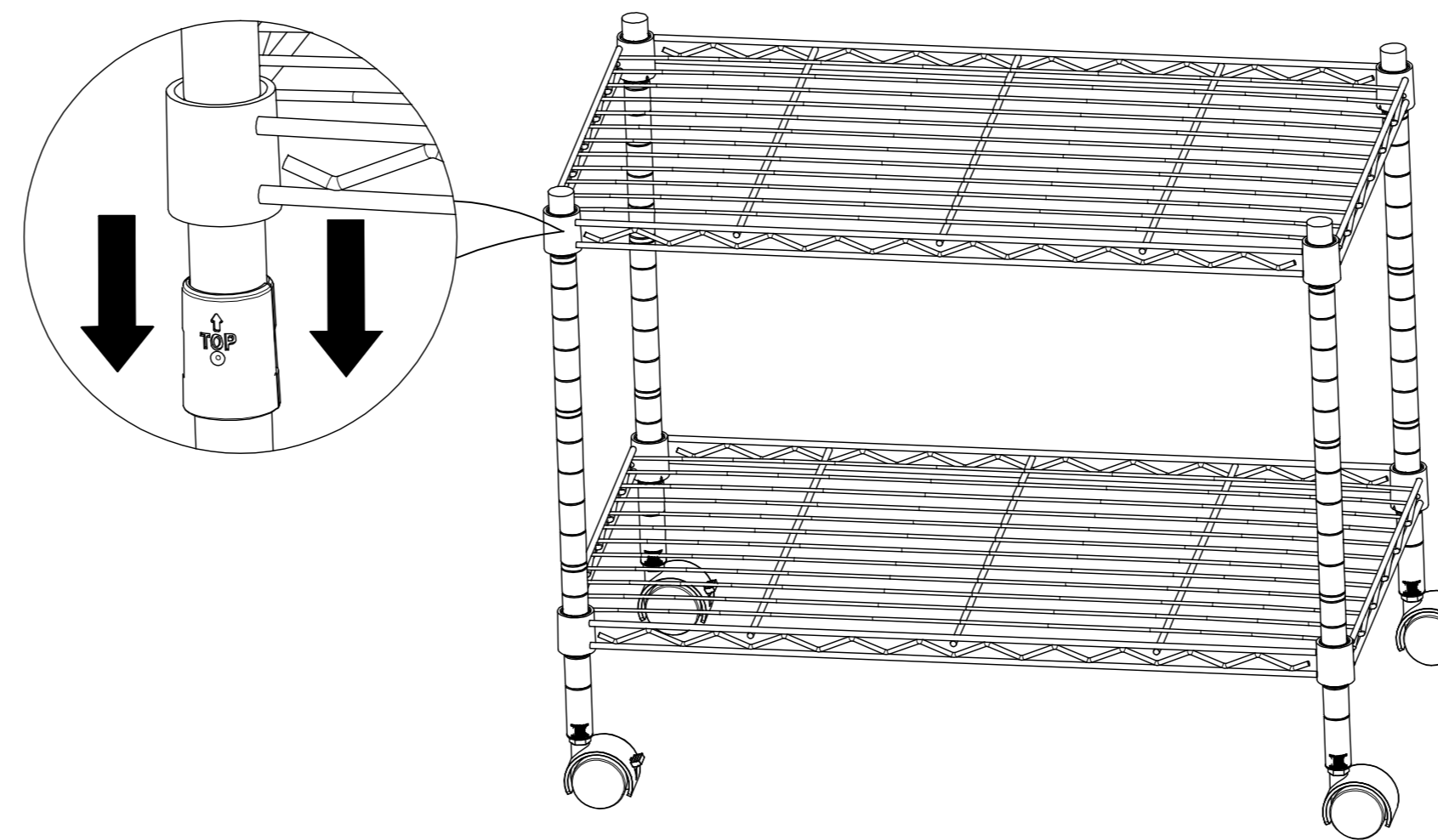
① Screw the Nylon Casters (G) into the bottom of each Lower Pole (C) in a clockwise direction and fasten it by wrench. Snap Plastic Clips (F) onto the pole grooves of four lower poles at the same position and make sure that the arrow of plastic clips are pointing up.



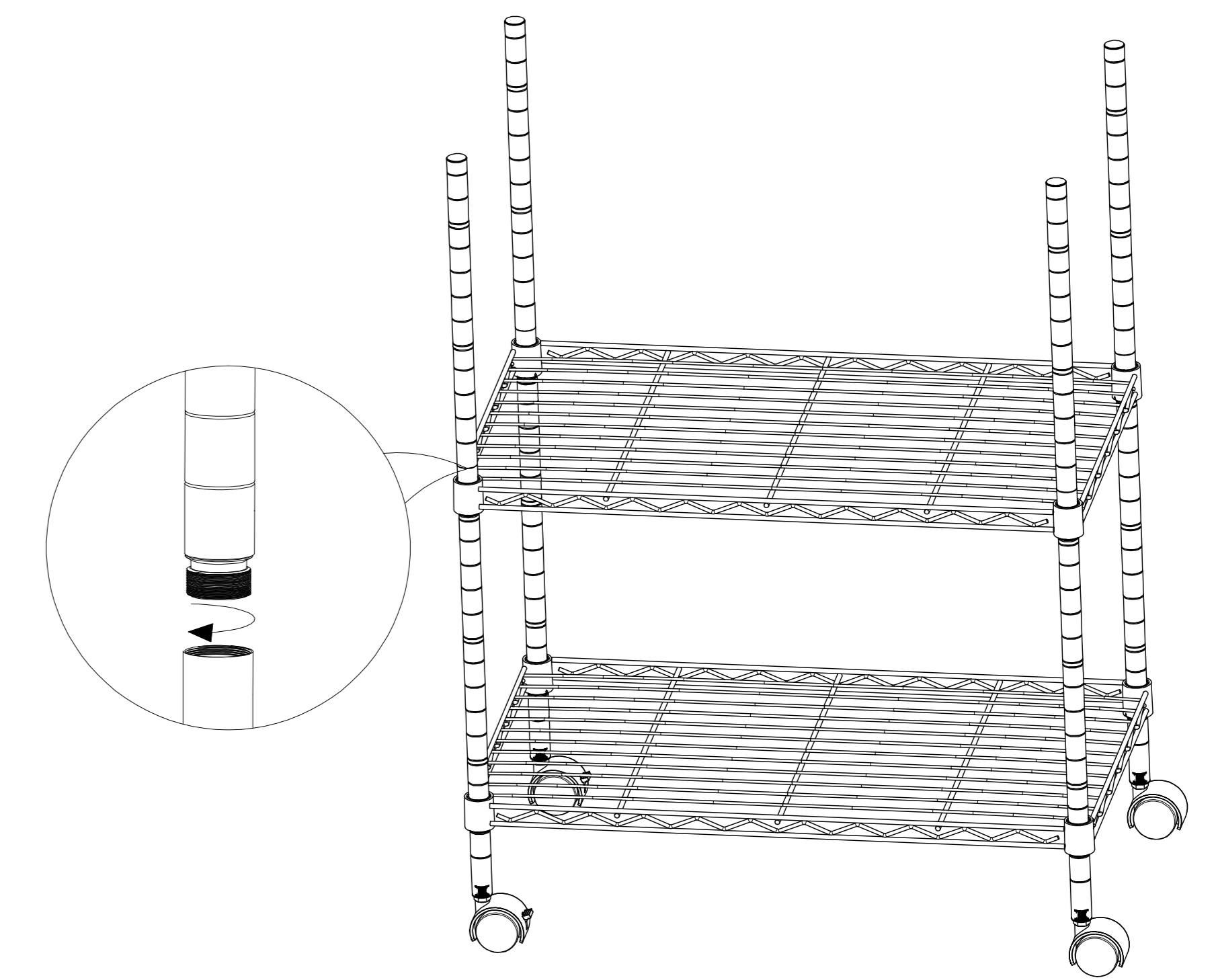
② Please make sure that you have the Wire Shelf (A) the correct way up. Hold the wire shelf on its side and slide the top of each pole through the bottom of wire shelf at its corners until they are snug fit. After four poles have been slid through the wire shelf collar holes, set the shelf upright.



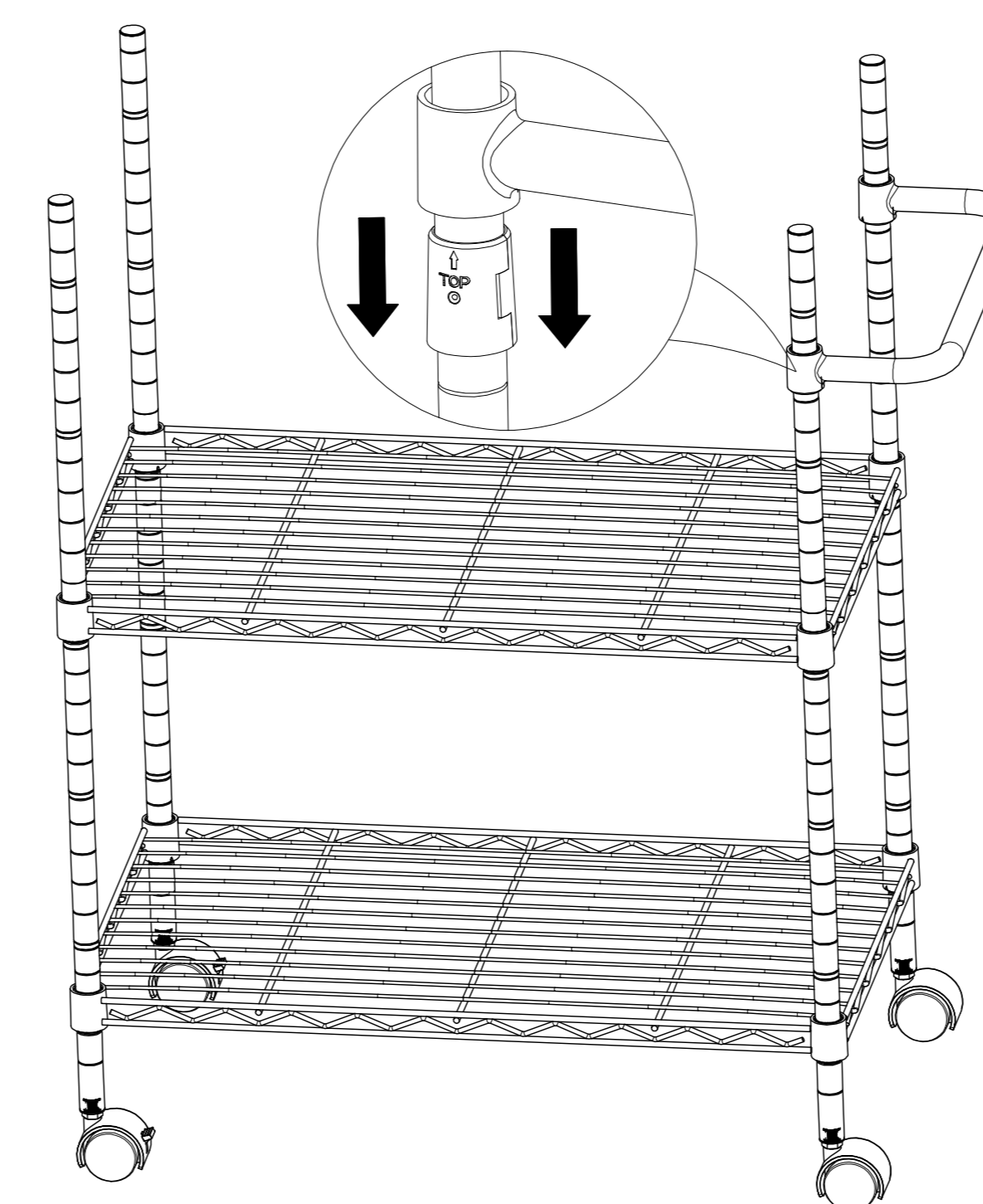
③ Snap plastic clips onto the same grooves of four poles at your desired position, slide down the wire shelf onto the plastic clips.



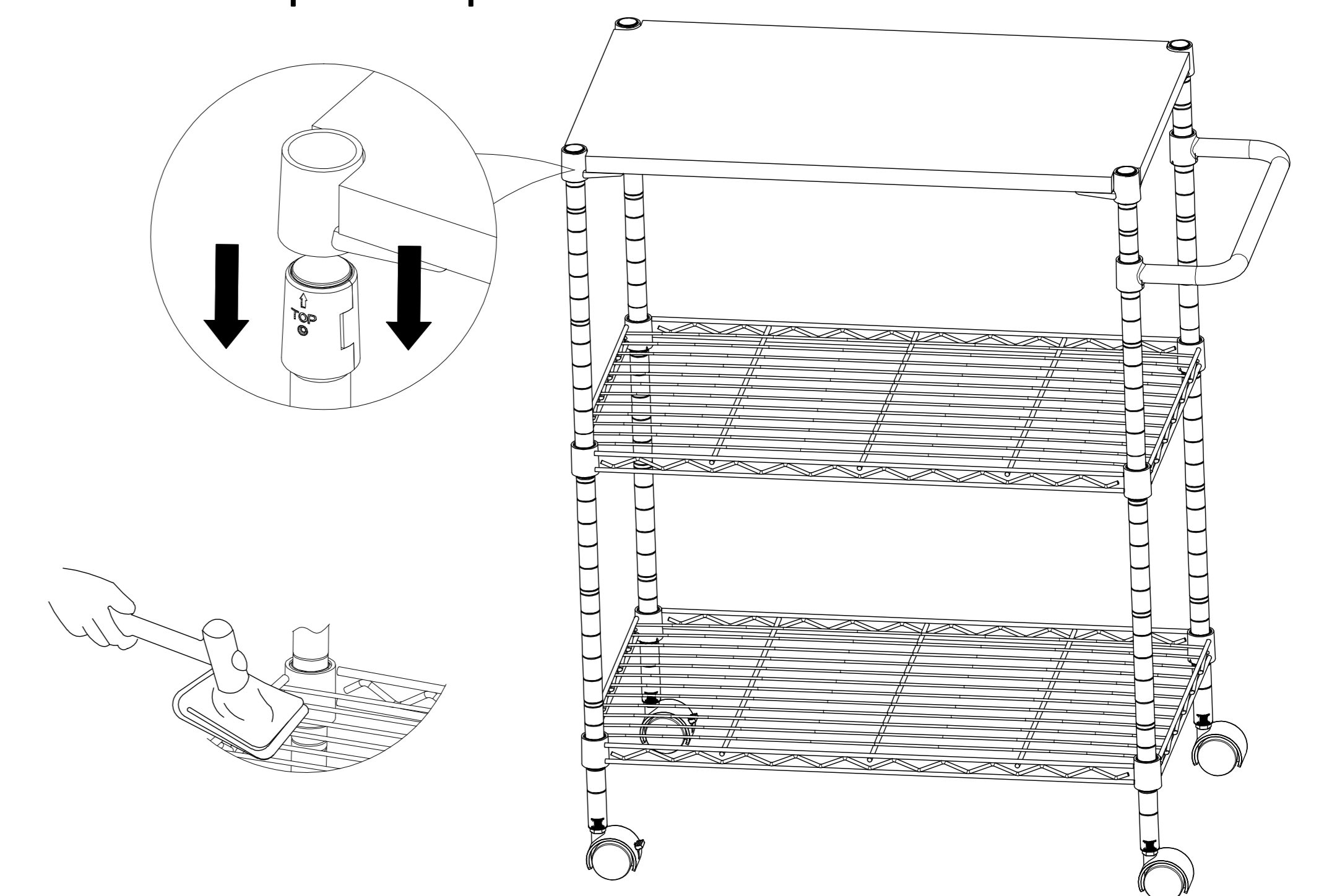
④ Screw Upper Poles (D) into lower poles by screw connectors which is already on the upper poles



⑤ Snap plastic clips onto the same grooves of two poles at your desired position, slide the flat handle (E) onto the plastic clips



⑥ Once all the shelves have been installed, pushing firmly down on every shelf at corners by rubber mallet to ensure the shelf in a place over the plastic clips.



No.	A	B	C	D	E	F	G
Name	Wire Shelf	MDF Wooden Board	Lower Pole	Upper Pole	Flat Handle	Plastic Clip	Nylon Caster
Parts							
Quantity	2PCS	1PC	4PCS	4PCS	1PC	28PCS	4PCS