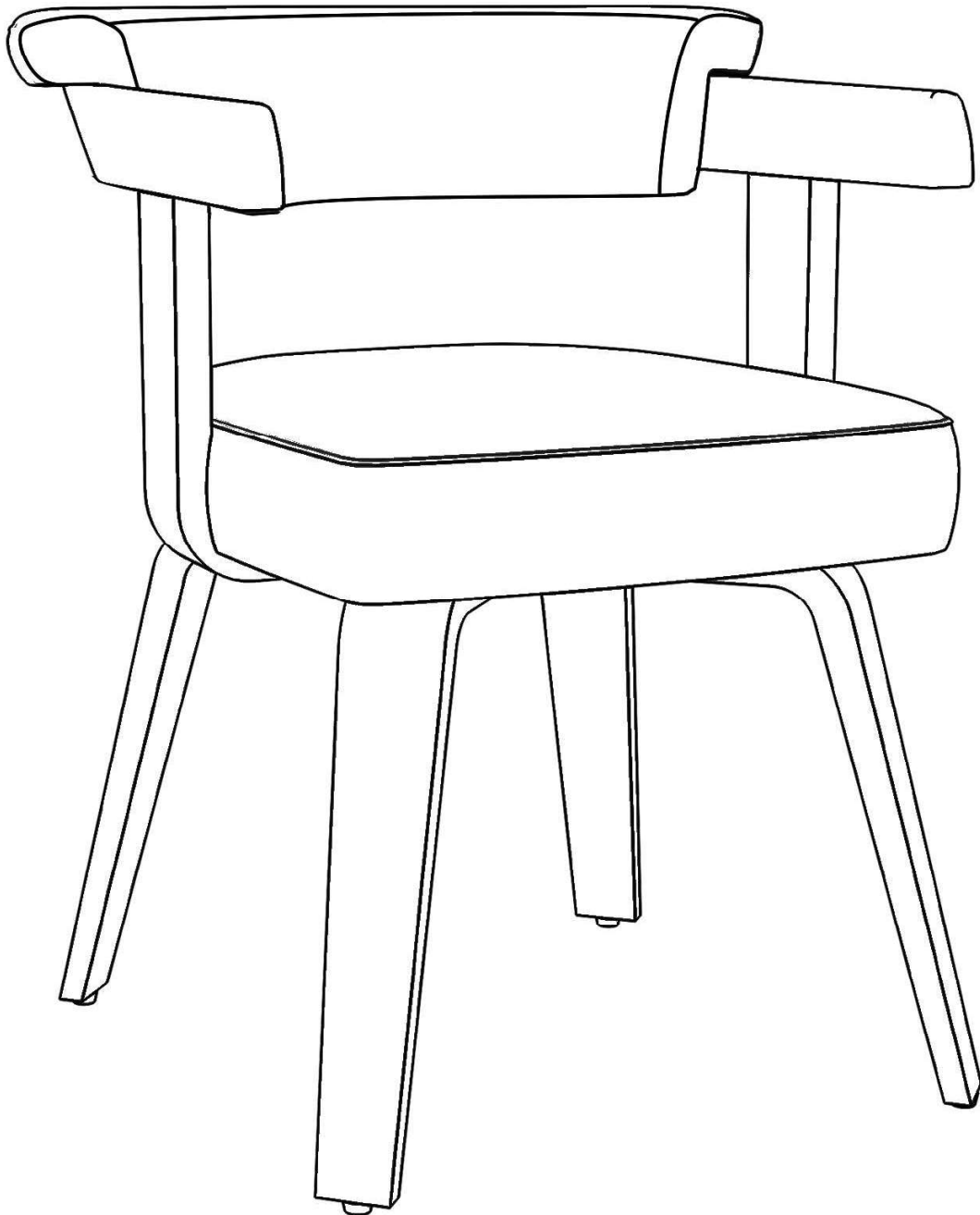
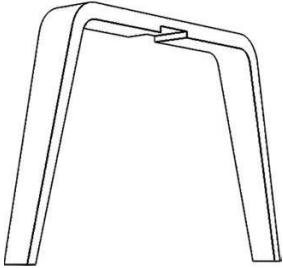


ASSEMBLY INSTRUCTIONS

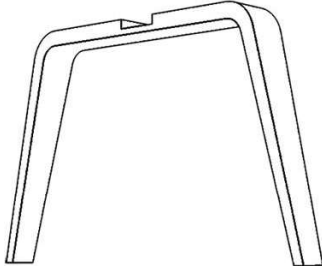
SWIVEL CHAIR



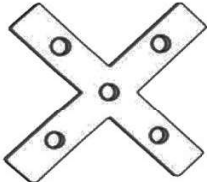
PARTS



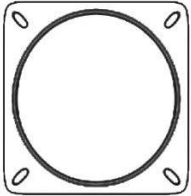
Ax1



Bx1



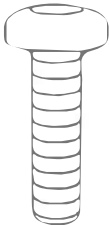
Cx1



Dx1

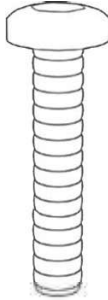


Ex1



M6x30mm

Fx9+1Ext



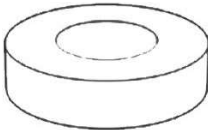
M6x50mm

Gx4+1Ext



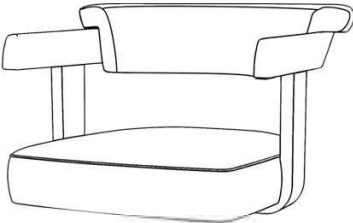
foot pin

Hx4+1Ext



5mm thickness
rubber washer

Ix2+1Ext



Jx1

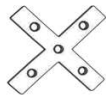
1



Ax1



Bx1



Cx1

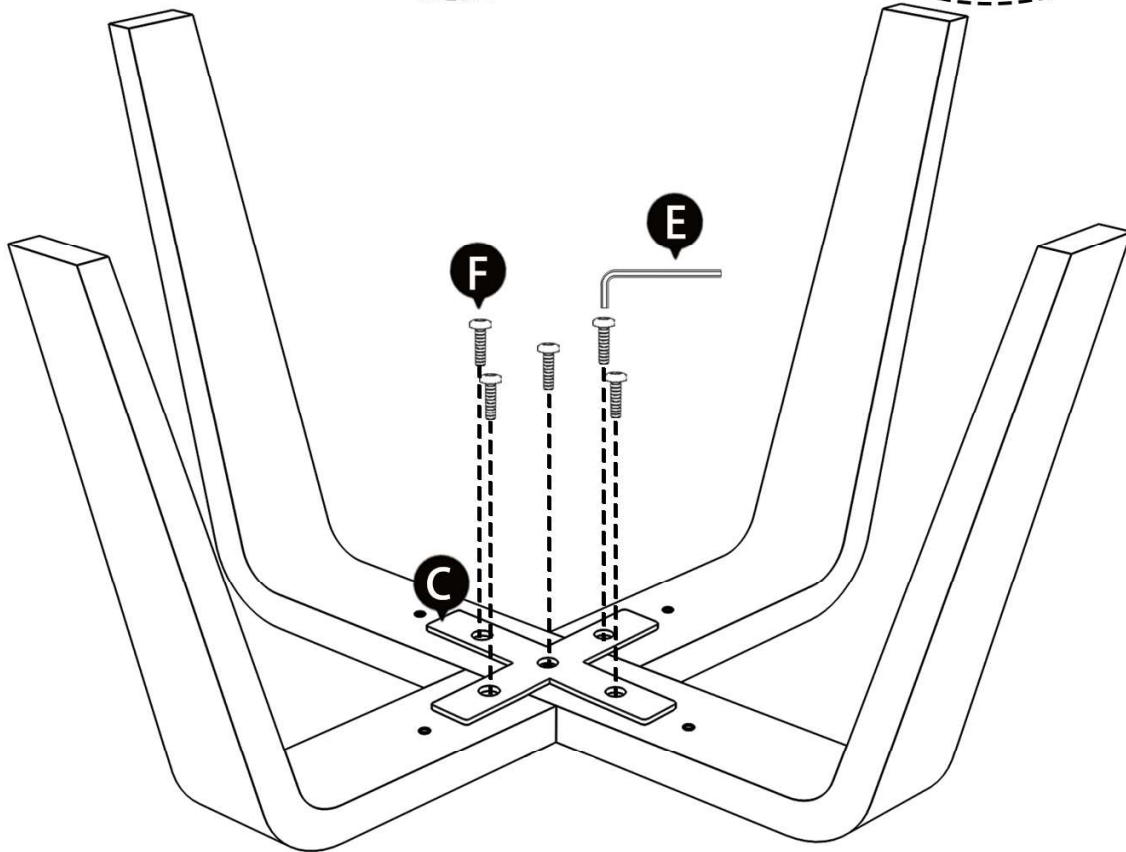
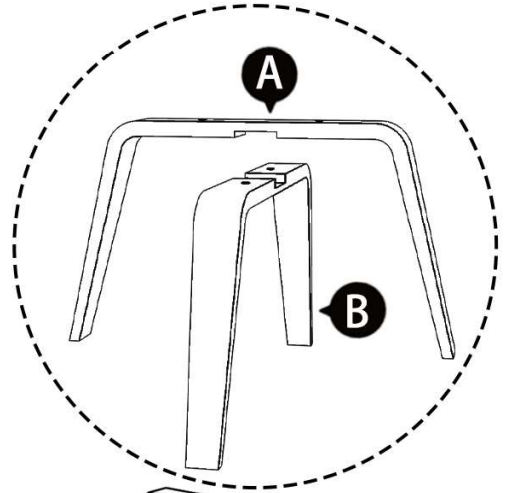
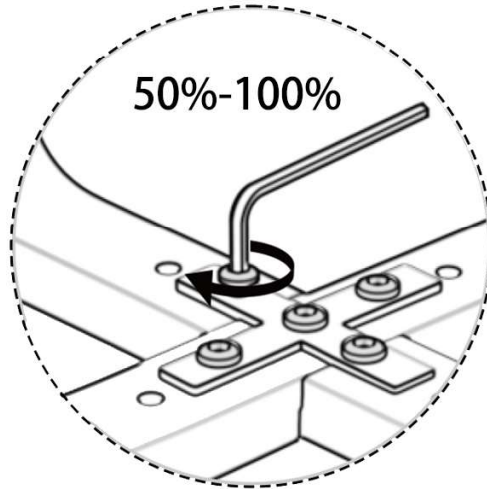


Ex1

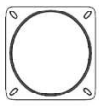


Fx5

First place A at the center of B, then place C at the center of AB. Next, insert the five F screws through C into the AB holes and tighten to 50%, and finally tighten to 100%.



2



Dx1

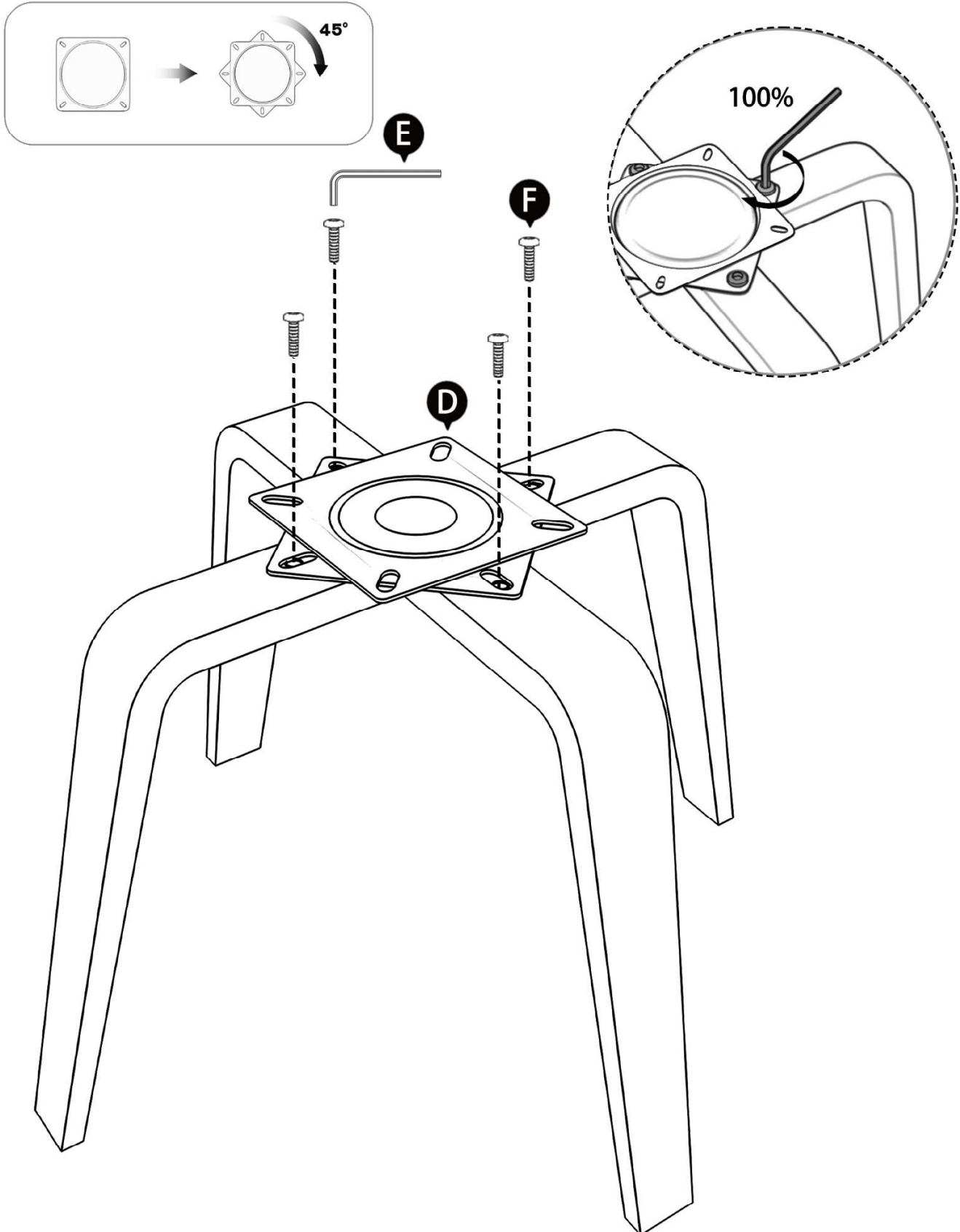


Fx4



Ex1

First, rotate D by 45 degrees, then place it on the AB chair legs. Next, insert four F screws and tighten them to D and the chair legs to 100%.



3



Gx4



Ex1

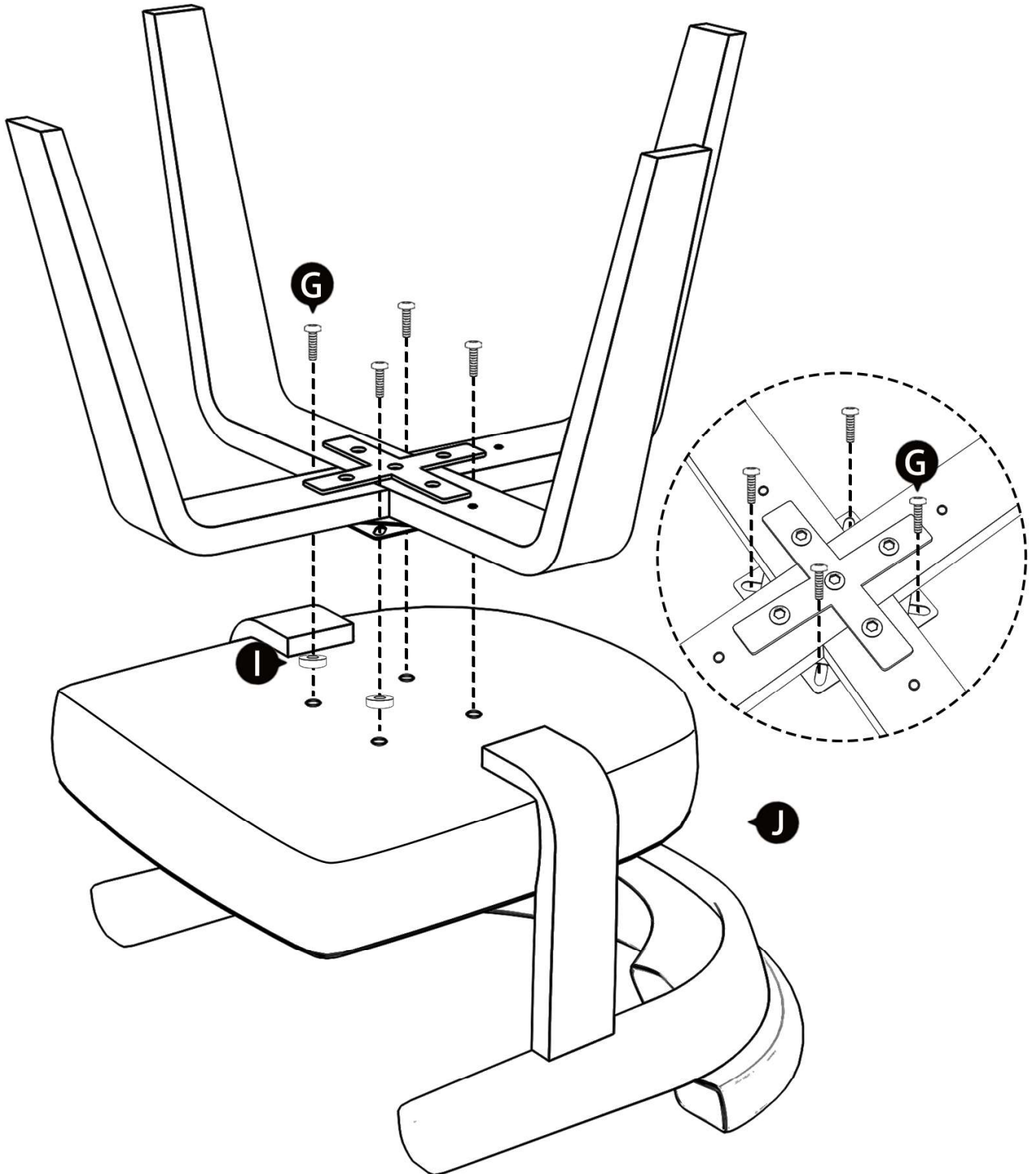


Ix2



Jx1

Connect Step 2 to J, place I on the two screw holes in front of J. Then pass the four G through Step 2 and I, and fasten F to 50%. Finally, tighten it to 100%.



4



Hx4

Adjust the chair balance by twisting the H screw.

