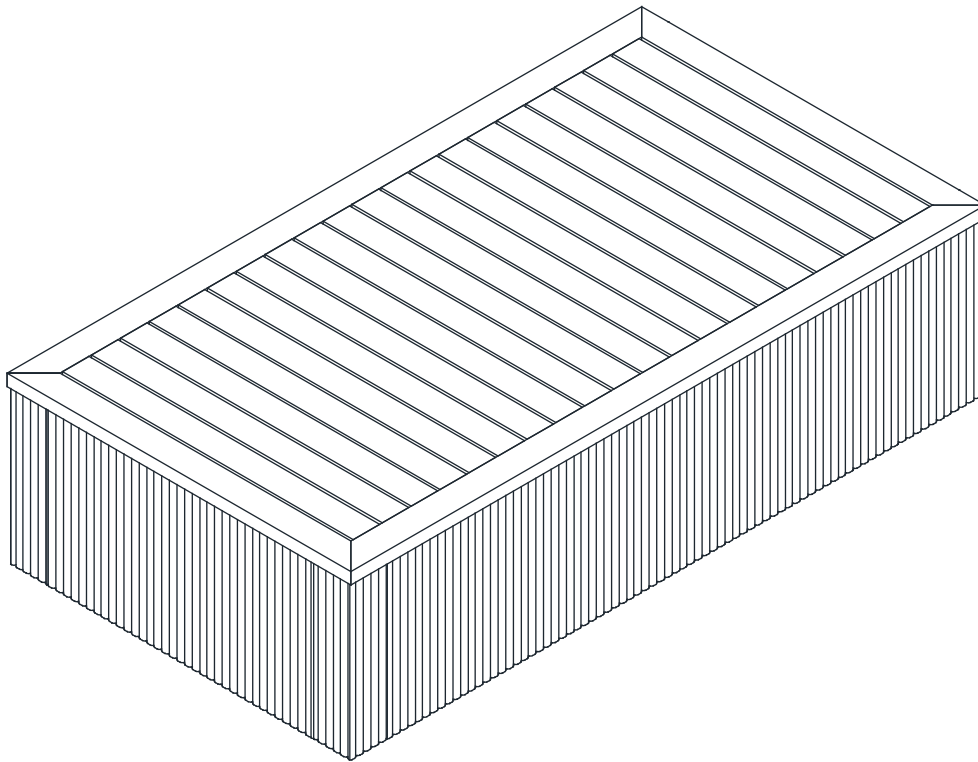


TEAK WOOD COFFEE TABLE

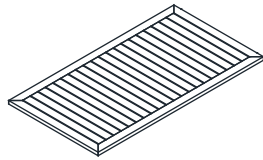
Assembly Instructions



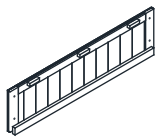
Every thing we make is incredibly simple to set up, including your new coffee table. You won't need any additional tools.

Parts List

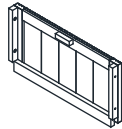
A x 1
Table Top



B x 2
Frame Leg 1



C x 2
Frame Leg 2



Hardware List

HW1 x 16
Screws M6 x 0.5 x 35 mm

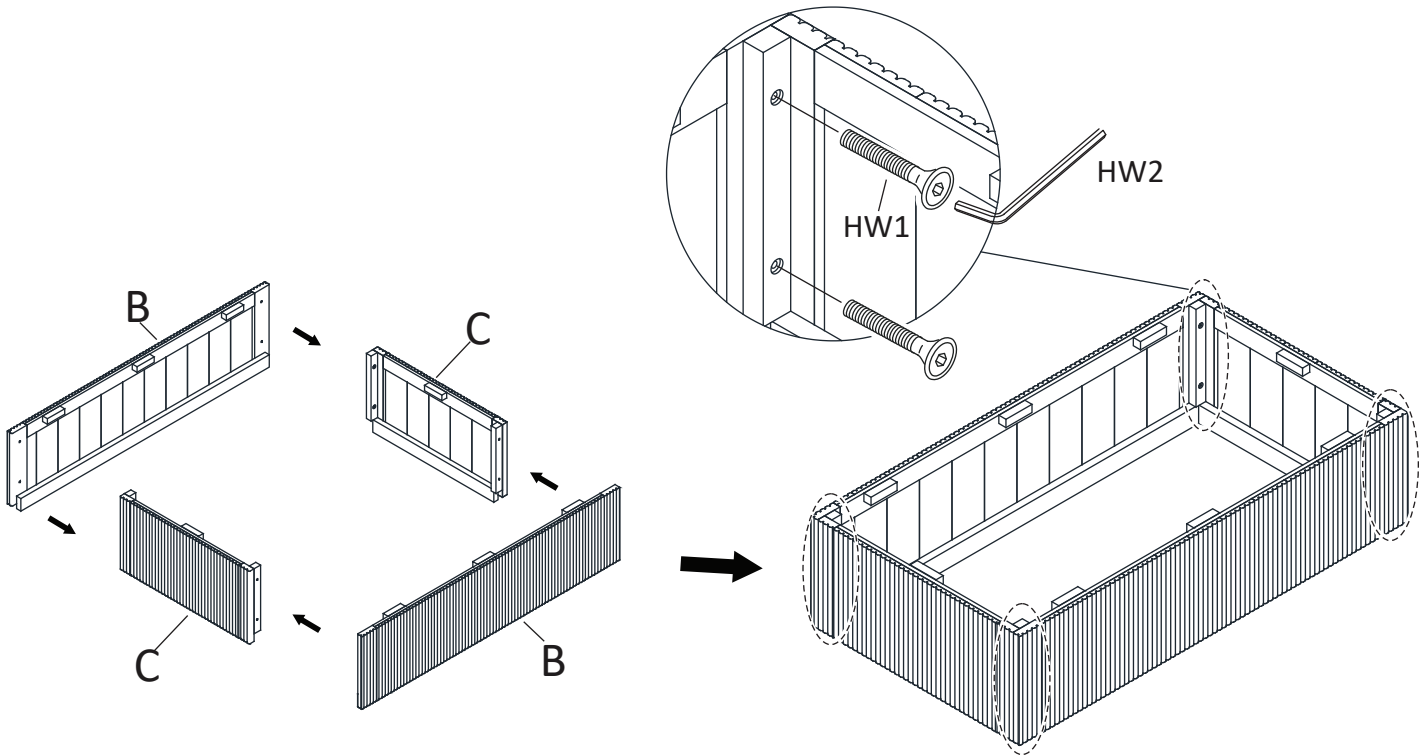


HW2 x 1
Allen key



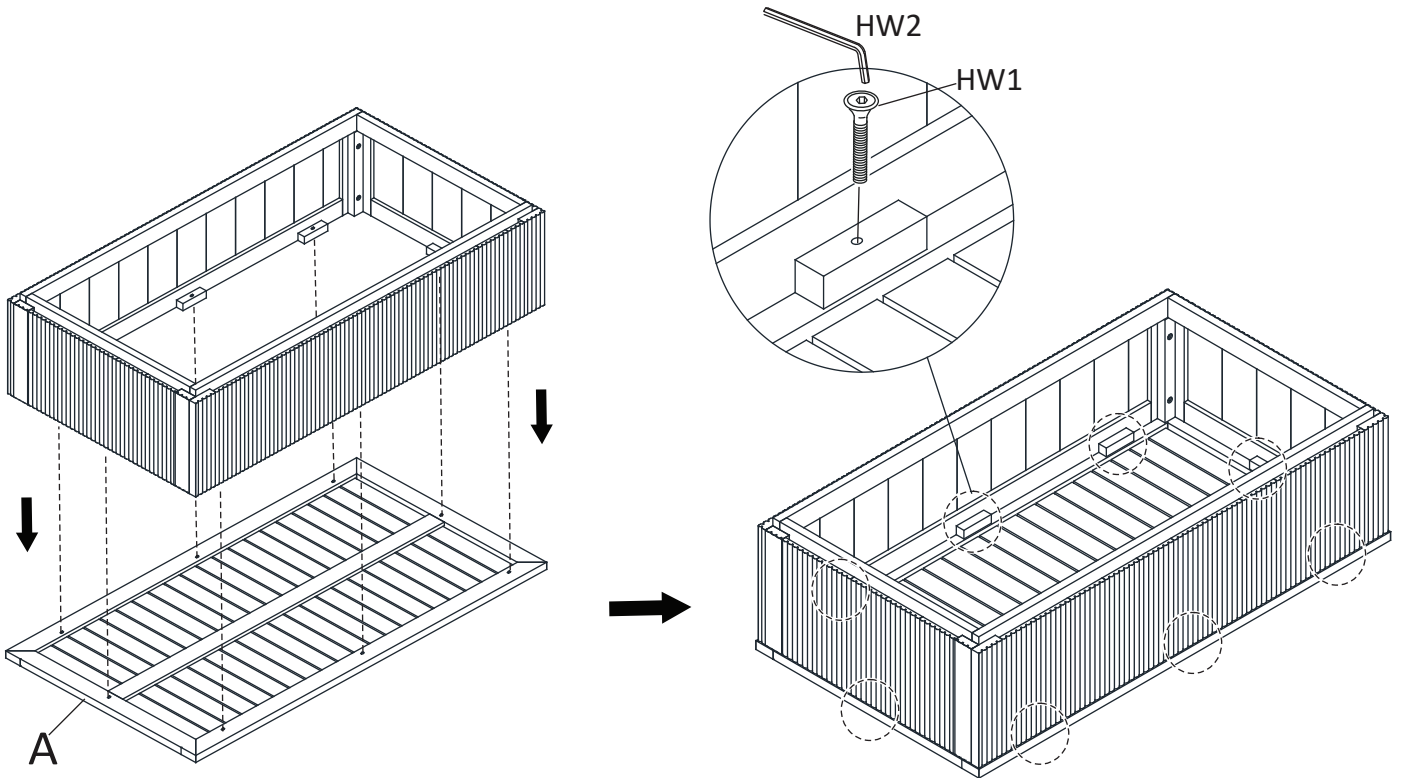
1

Attach Frame Leg 1 (B) to Frame Leg 2 (C). Use Bolt (HW1) tighten with Allen Key (HW2)



2

Attach Frame Leg to Table Top (A). Use Bolt (HW1) tighten with Allen Key (HW2)



Place the coffee table in the place where you will use it. We'd love to see it – just tag us and use the hashtag on Instagram!

