

ASSEMBLY INSTRUCTIONS



ASSEMBLY INSTRUCTIONS

ASSEMBLY TIPS:

1. Remove hardware from box and sort by size.
2. Please check to see that all hardware and parts are present prior to start of assembly.
3. Please follow attached instructions in the same sequence as numbered to assure fast & easy assembly.



WARNING!

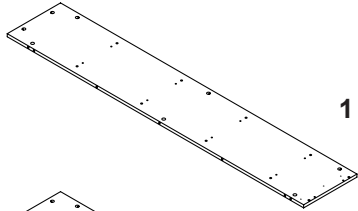
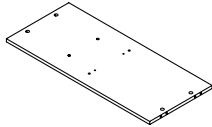
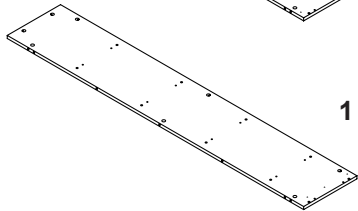
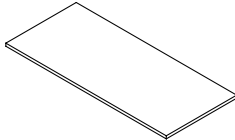
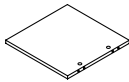
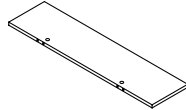
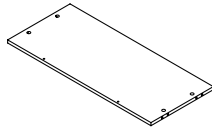
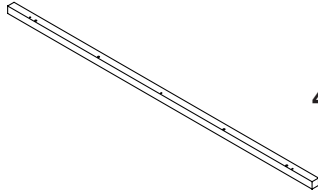
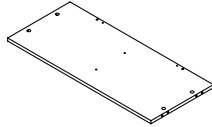
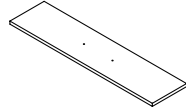
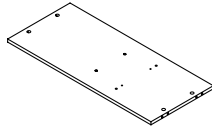
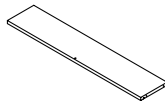
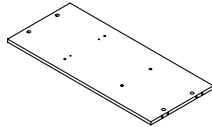
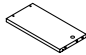
1. Don't attempt to repair or modify parts that are broken or defective. Please contact the store immediately.
2. This product is for home use only and not intended for commercial establishments.



ASSEMBLY TIME

60 MINUTES

PARTS IDENTIFICATION

A	LEFT SIDE PANEL		1 PC	H	CROSS PANEL 4		1 PC
B	RIGHT SIDE PANEL		1 PC	I	TOP PANEL		1 PC
C	DIVIDER PANEL		4 PCS	J	BACK PANEL		1 PC
D	BOTTOM PANEL		1 PC	K	LEG		4 PCS
E	CROSS PANEL 1		1 PC	L	DRAWER FRONT PANEL		1 PC
F	CROSS PANEL 2		1 PC	M	DRAWER BACK PANEL		1 PC
G	CROSS PANEL 3		1 PC	N	DRAWER LEFT SIDE PANEL		1 PC

NOTE:

Phillips head screw driver is required in the assembly process; however, manufacturer does not provide this item.

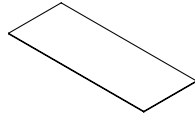
O DRAWER RIGHT SIDE PANEL 1 PC



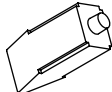

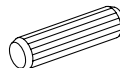
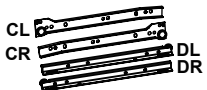
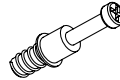


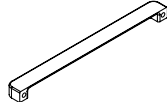



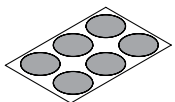
Q DRAWER SUPPORT 1 PC



P DRAWER BOTTOM PANEL 1 PC



HARDWARE IDENTIFICATION

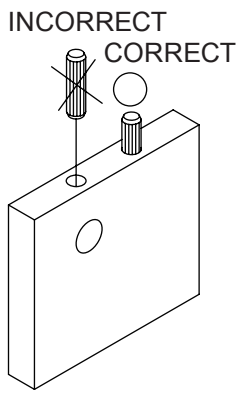
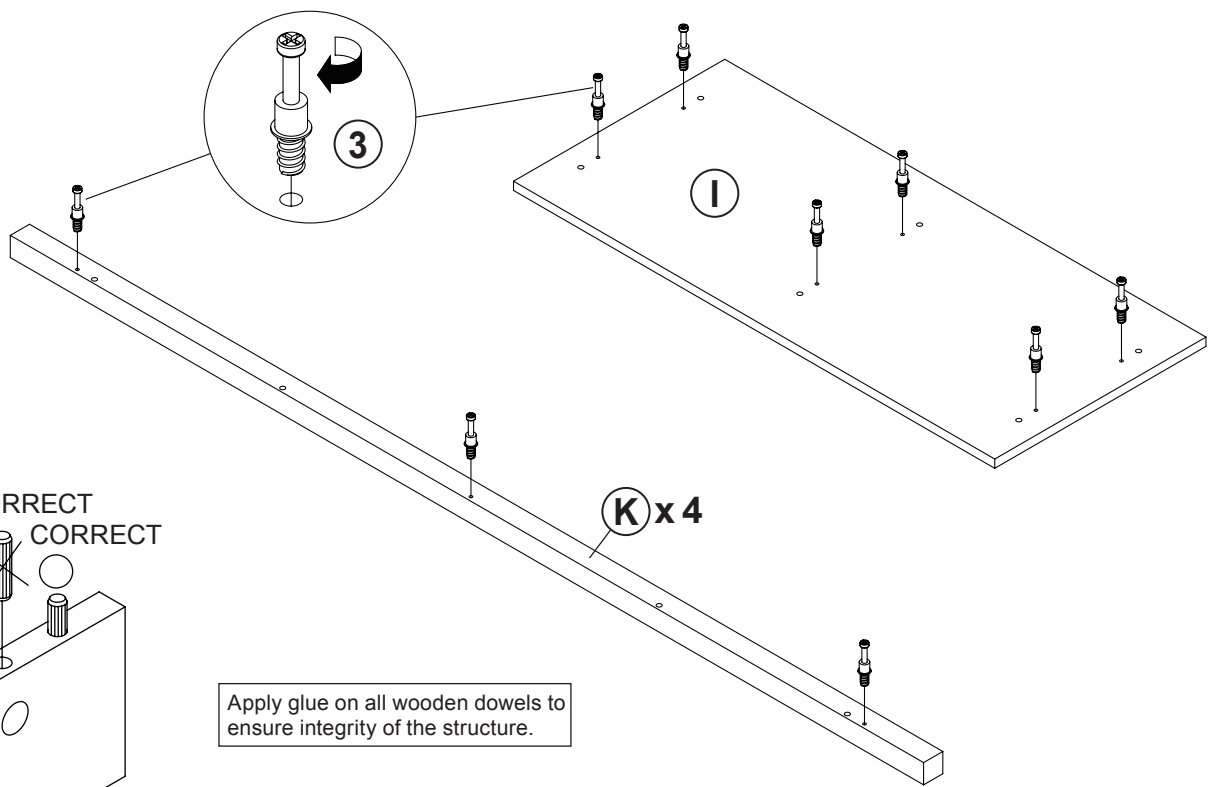
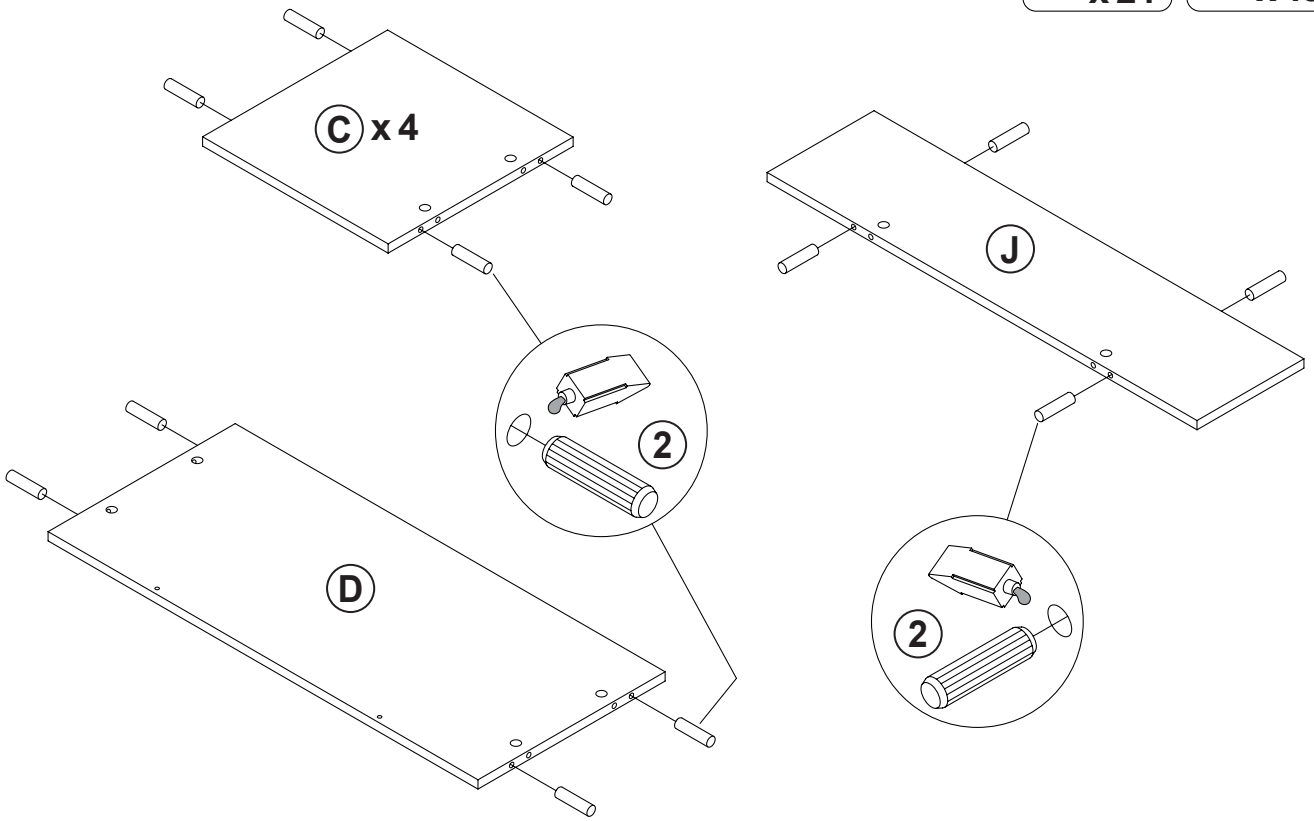
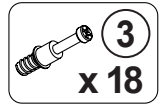
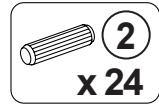
Z							
NO	DESCRIPTION	FIGURE	Q'TY	NO	DESCRIPTION	FIGURE	Q'TY
1	GLUE 40g		1 PC	7	PLASTIC FEET Ø15mm		4 PCS
2	WOODEN DOWEL Ø8x30mm		64 PCS	8	GLIDES L = 300mm BLK		1 SET
3	CAM BOLT Ø7x35.5mm SR		49 PCS	9	GLIDES SCREW Ø3x12mm BLK		12 PCS
4	CAM LOCK Ø15x12mm SR		49 PCS	10	HANDLE L=170mm SR		1 PC
5	SCREW Ø4.5x42mm SR		10 PCS	11	HANDLE BOLT Ø4x25mm SR		2 PCS
6	SCREW Ø4.3x35mm SR		5 PCS	12	STICKER Ø20mm		10 PCS

Z8,Z10 not included in blister packaging.

NOTE:

Phillips head screw driver is required in the assembly process; however, manufacturer does not provide this item.

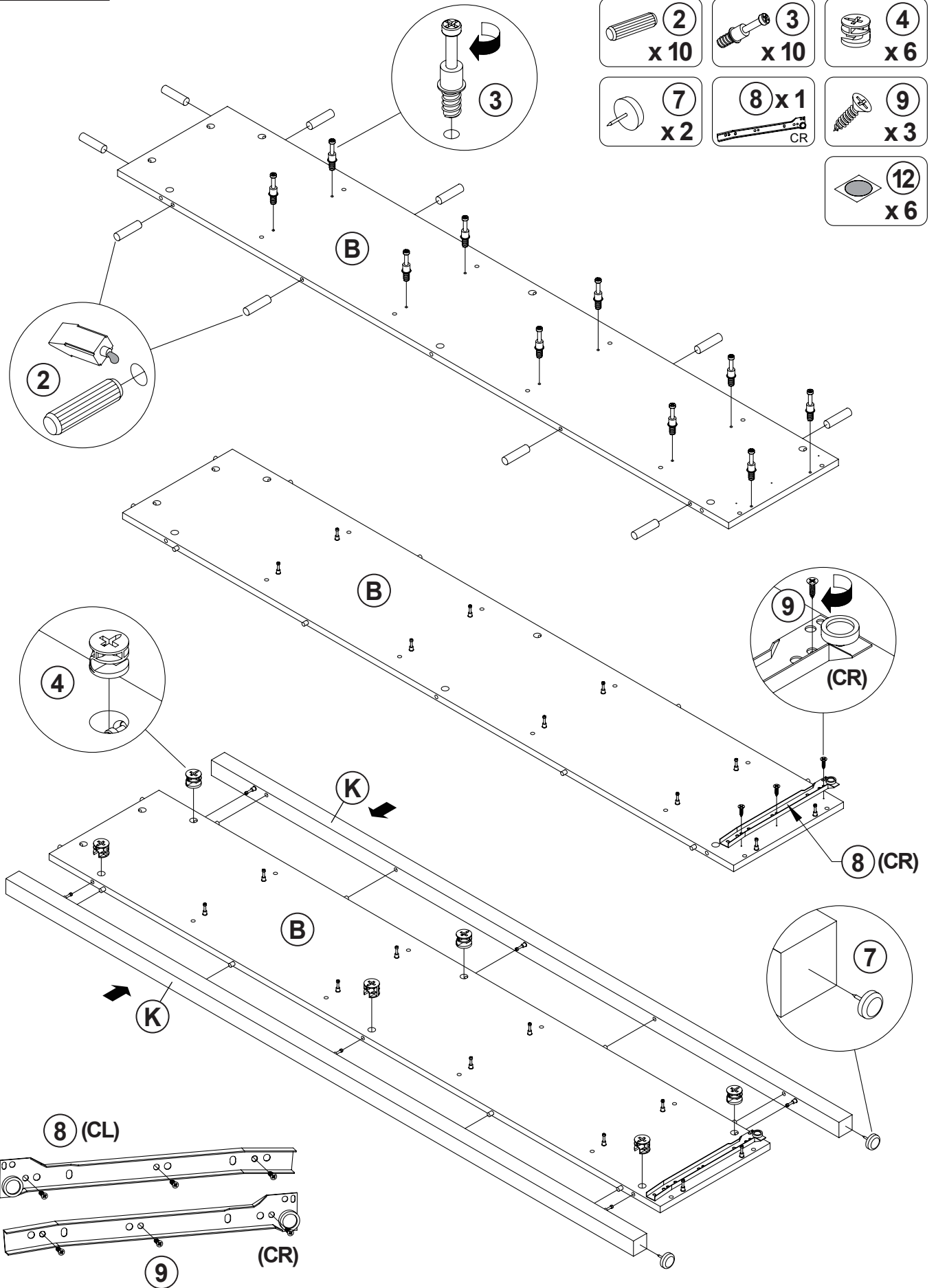
STEP 1



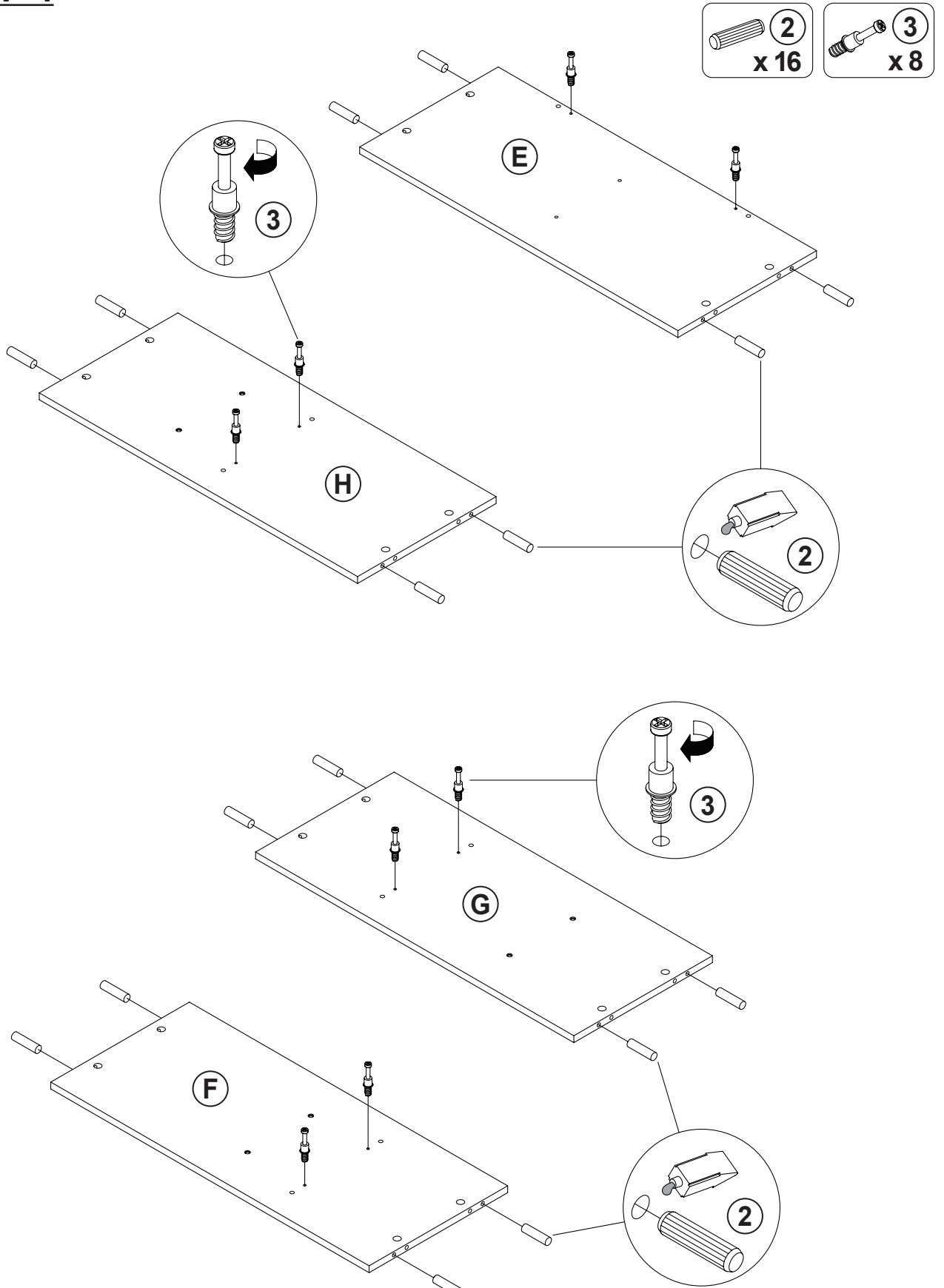
Apply glue on all wooden dowels to ensure integrity of the structure.

STEP 3

- 2 x 10
- 3 x 10
- 4 x 6
- 7 x 2
- 8 x 1 CR
- 9 x 3
- 12 x 6



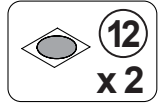
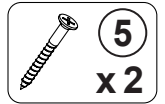
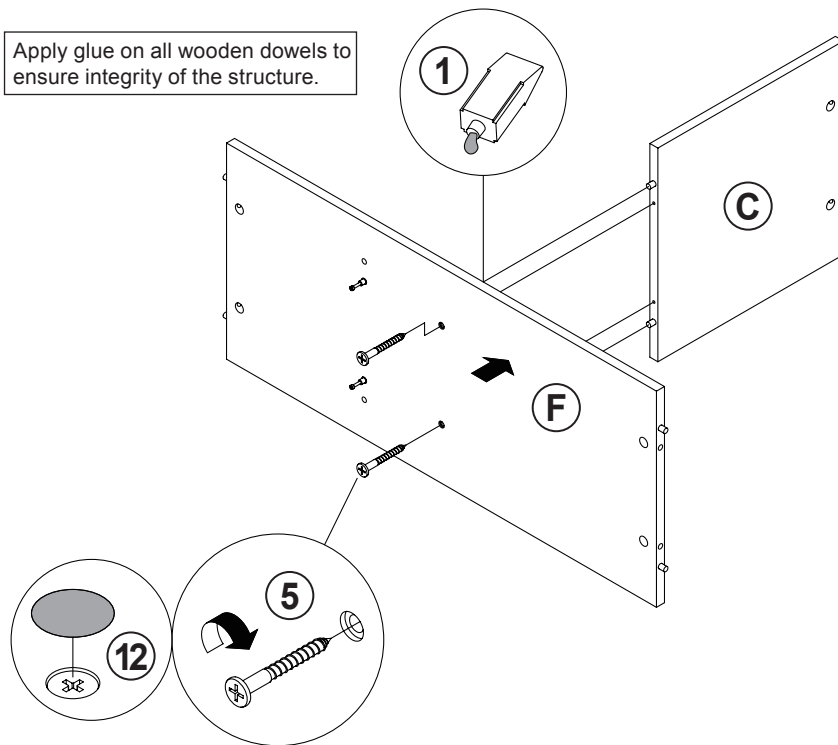
STEP 4



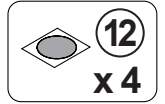
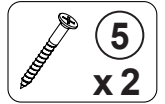
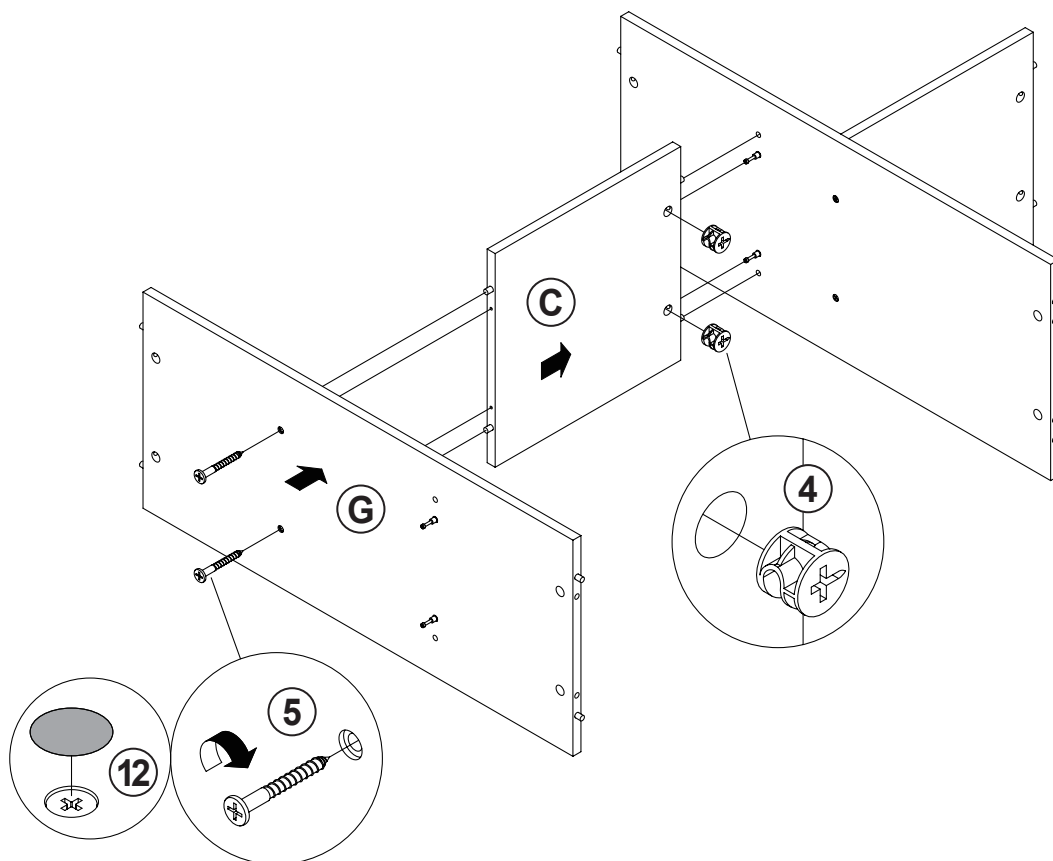
Apply glue on all wooden dowels to ensure integrity of the structure.

STEP 5

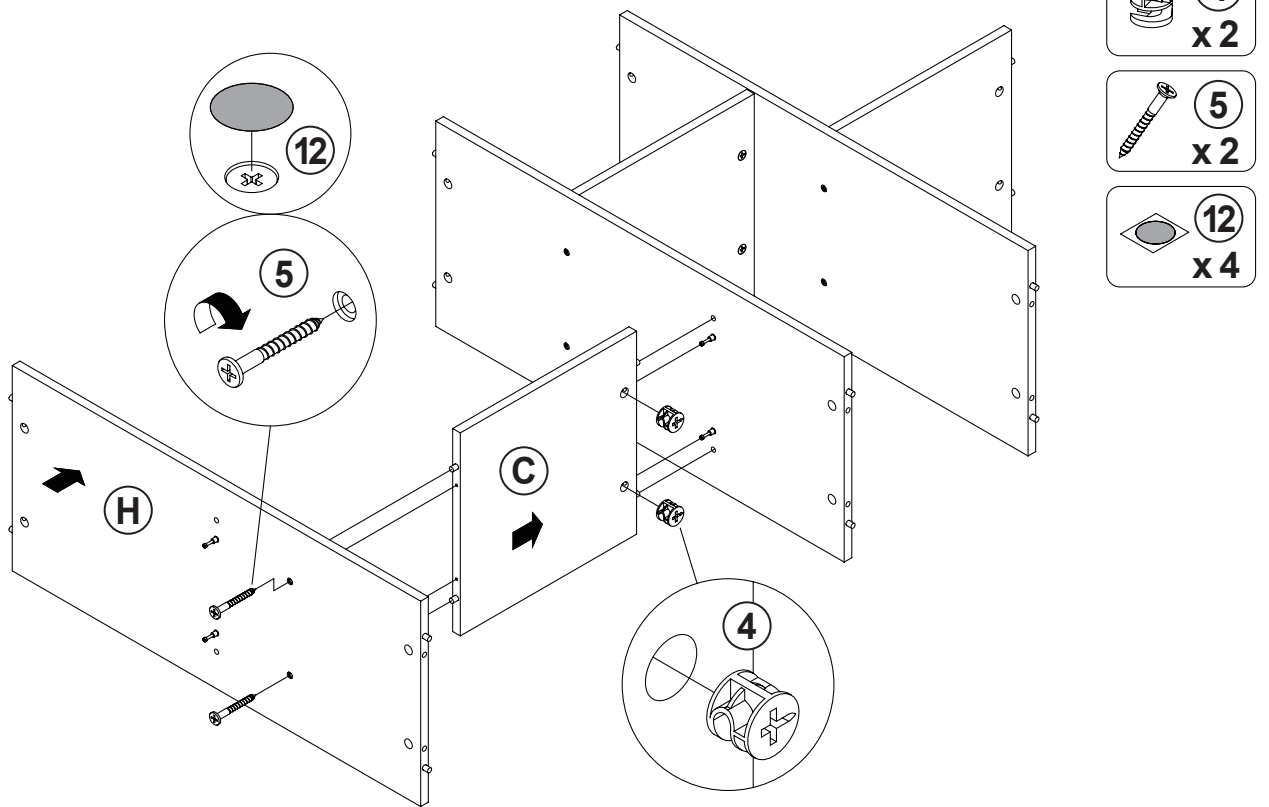
Apply glue on all wooden dowels to ensure integrity of the structure.



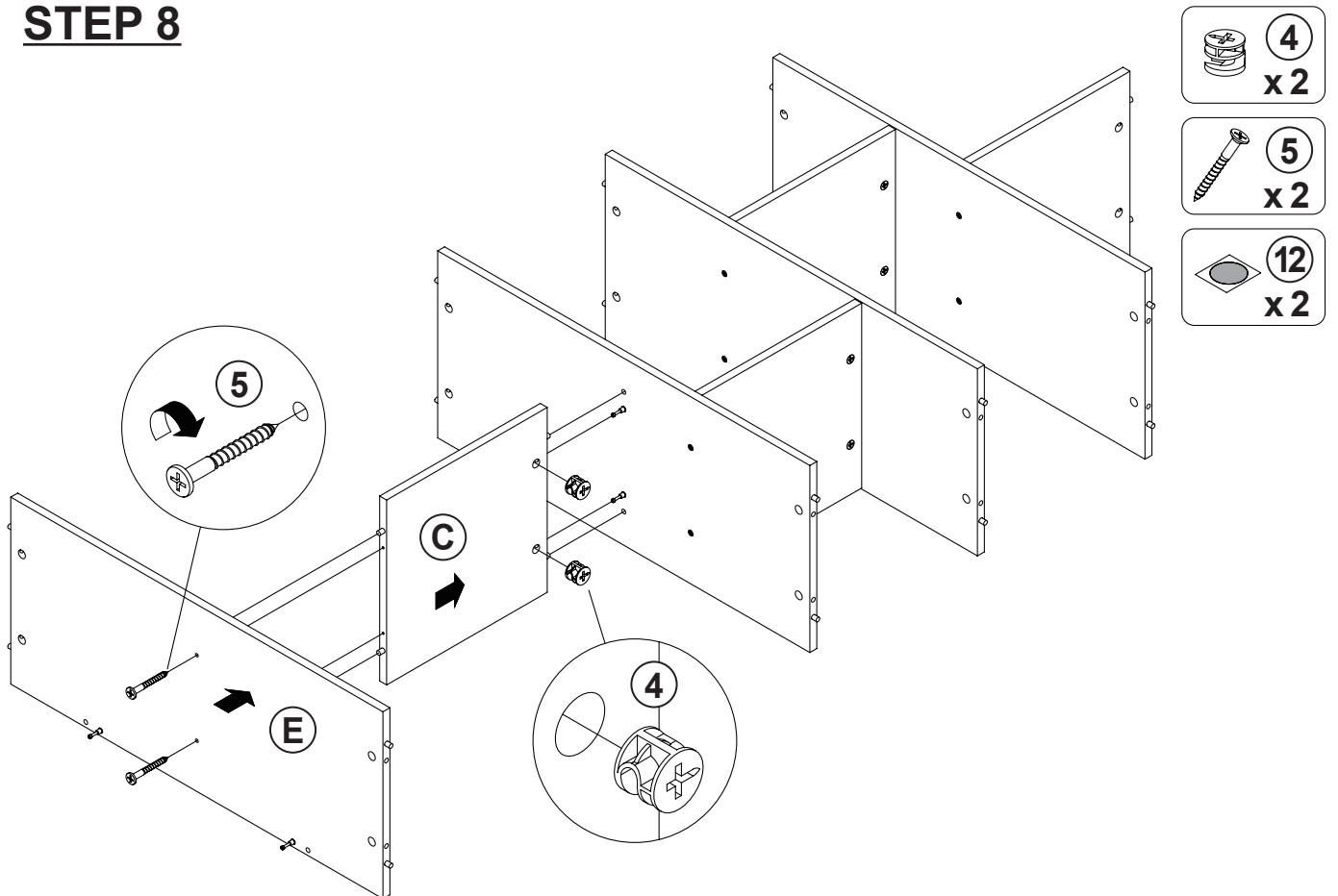
STEP 6



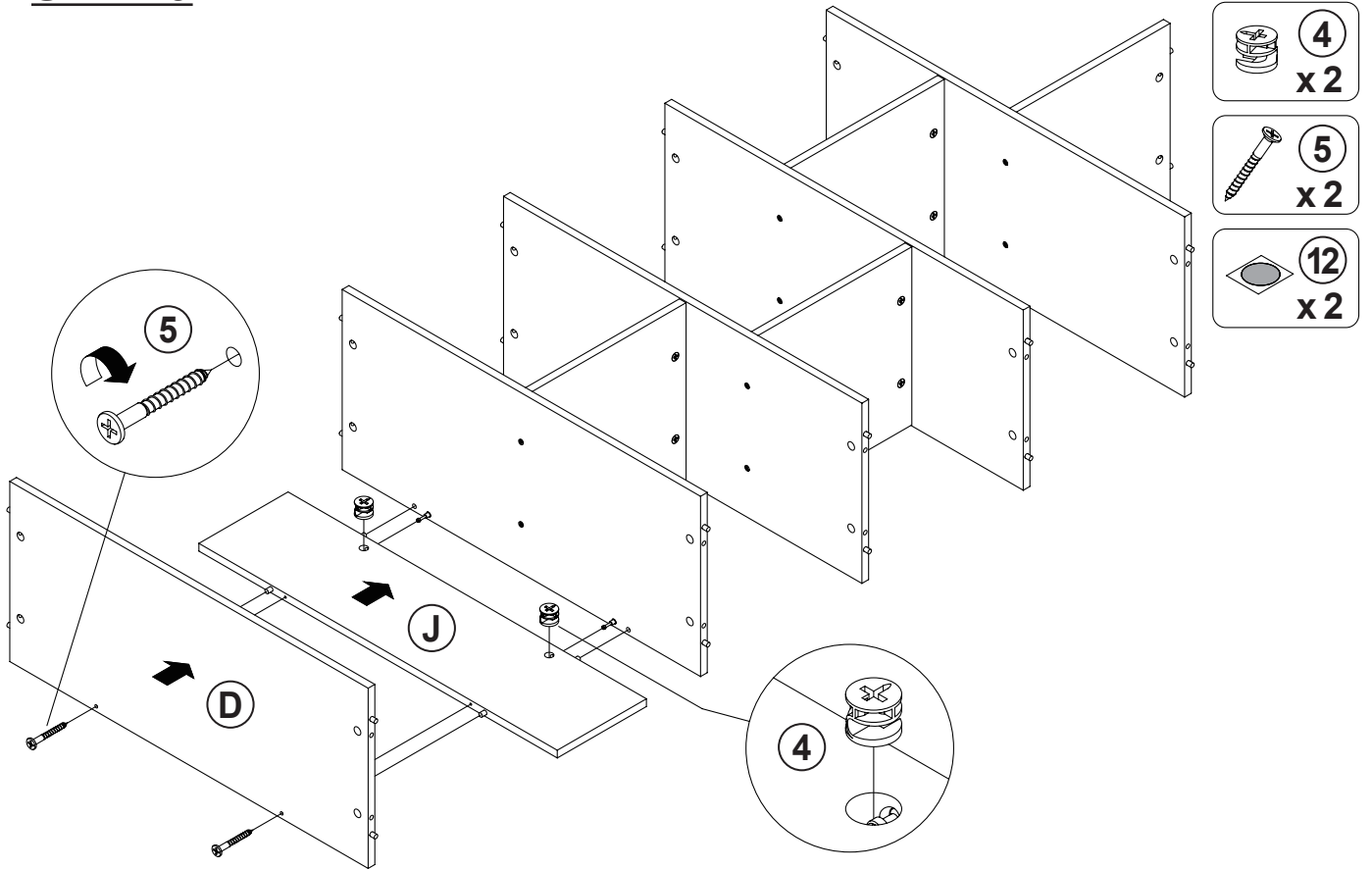
STEP 7



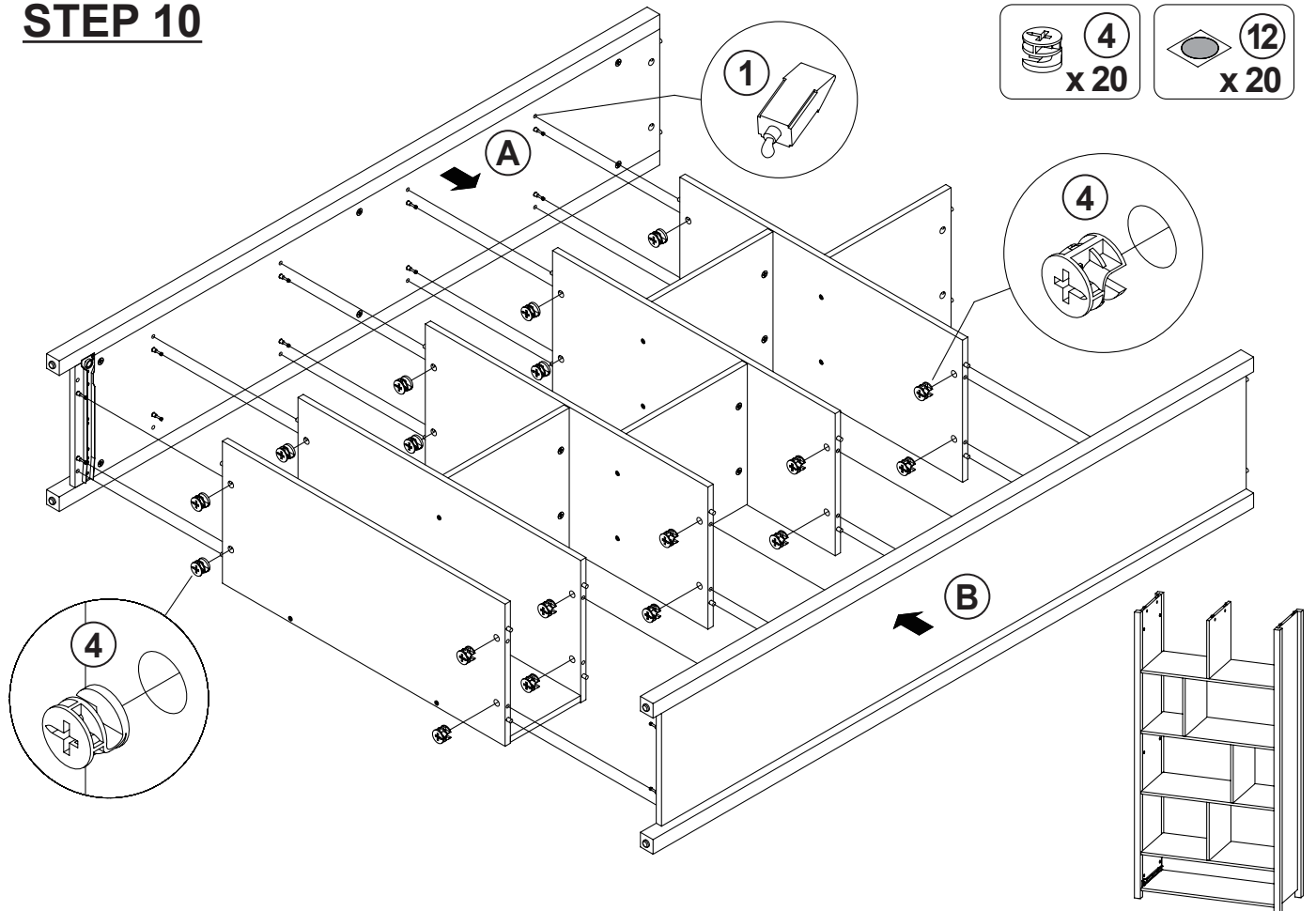
STEP 8



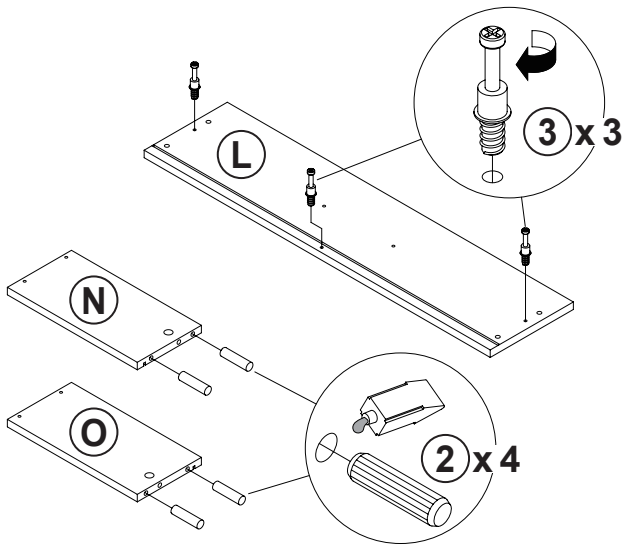
STEP 9



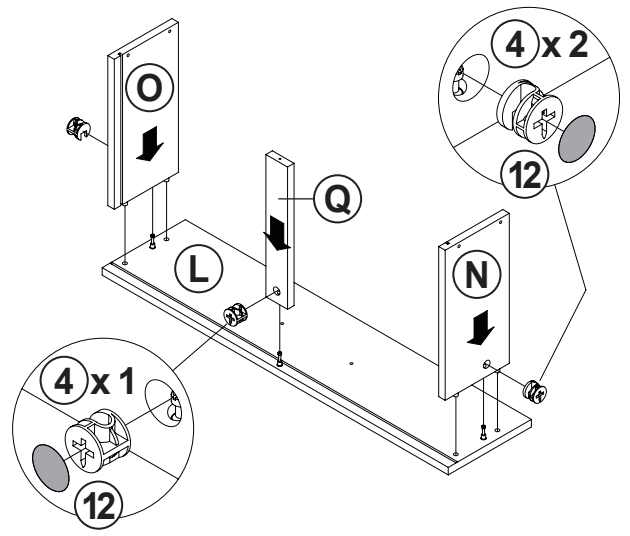
STEP 10



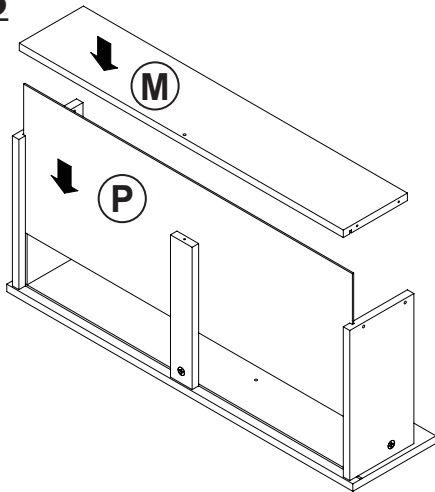
STEP 11-1



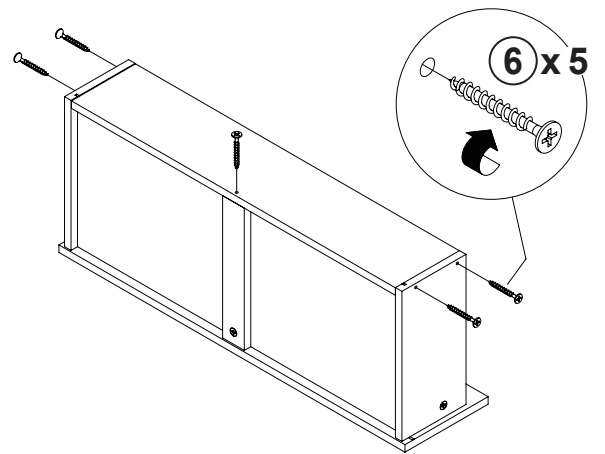
STEP 11-2



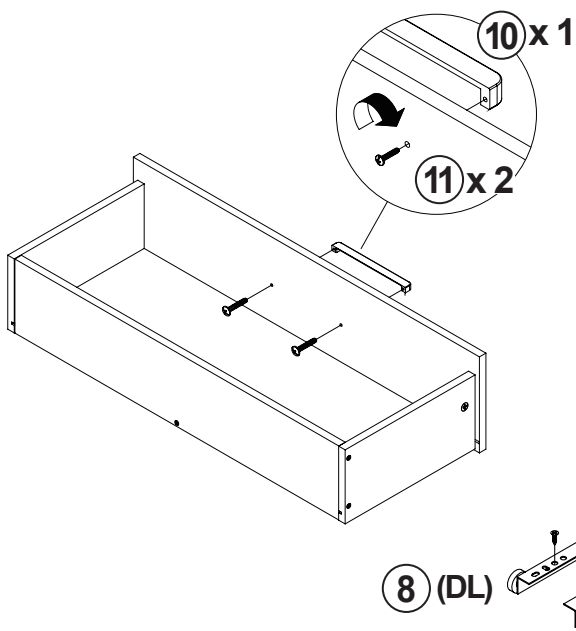
STEP 11-3



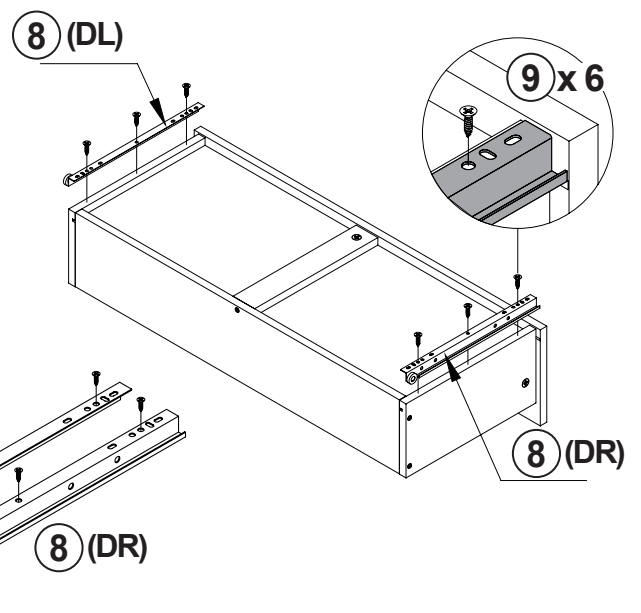
STEP 11-4



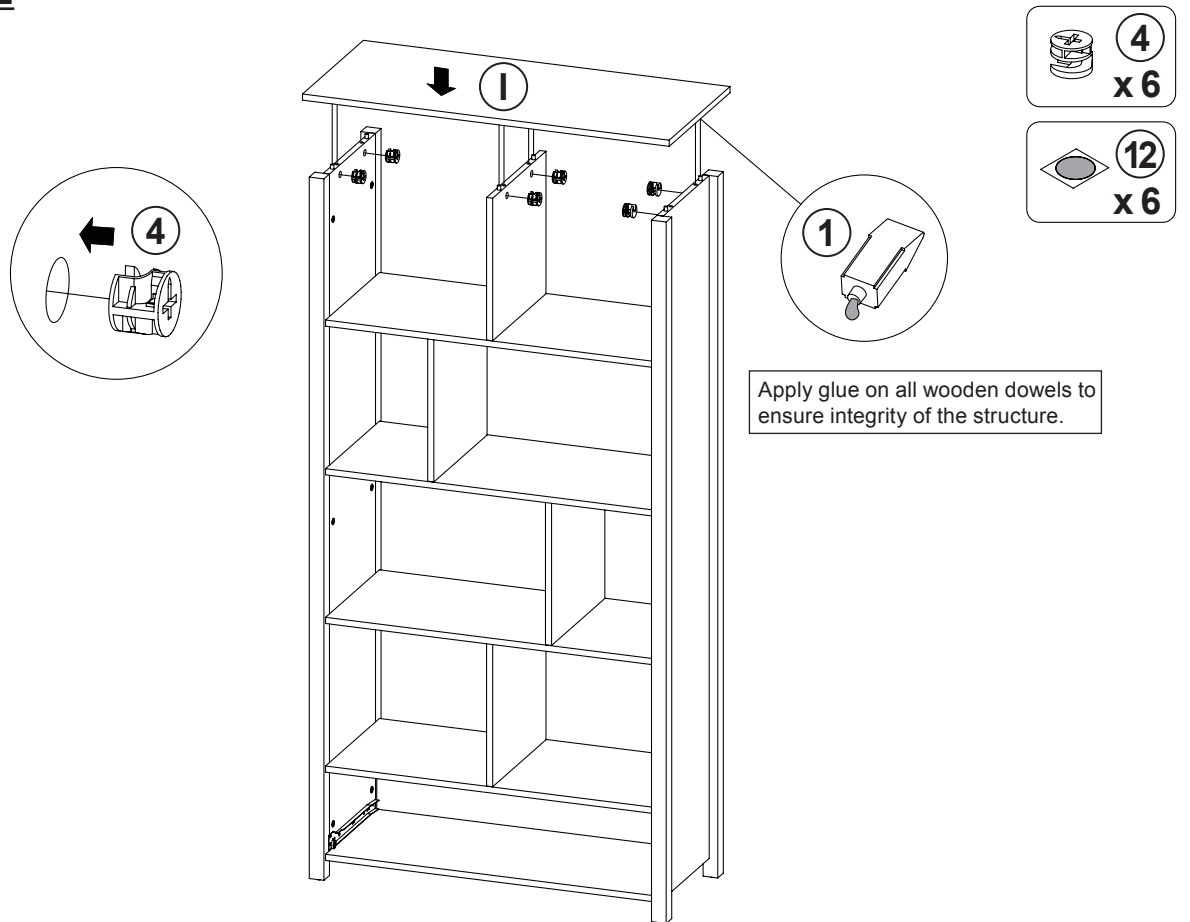
STEP 11-5



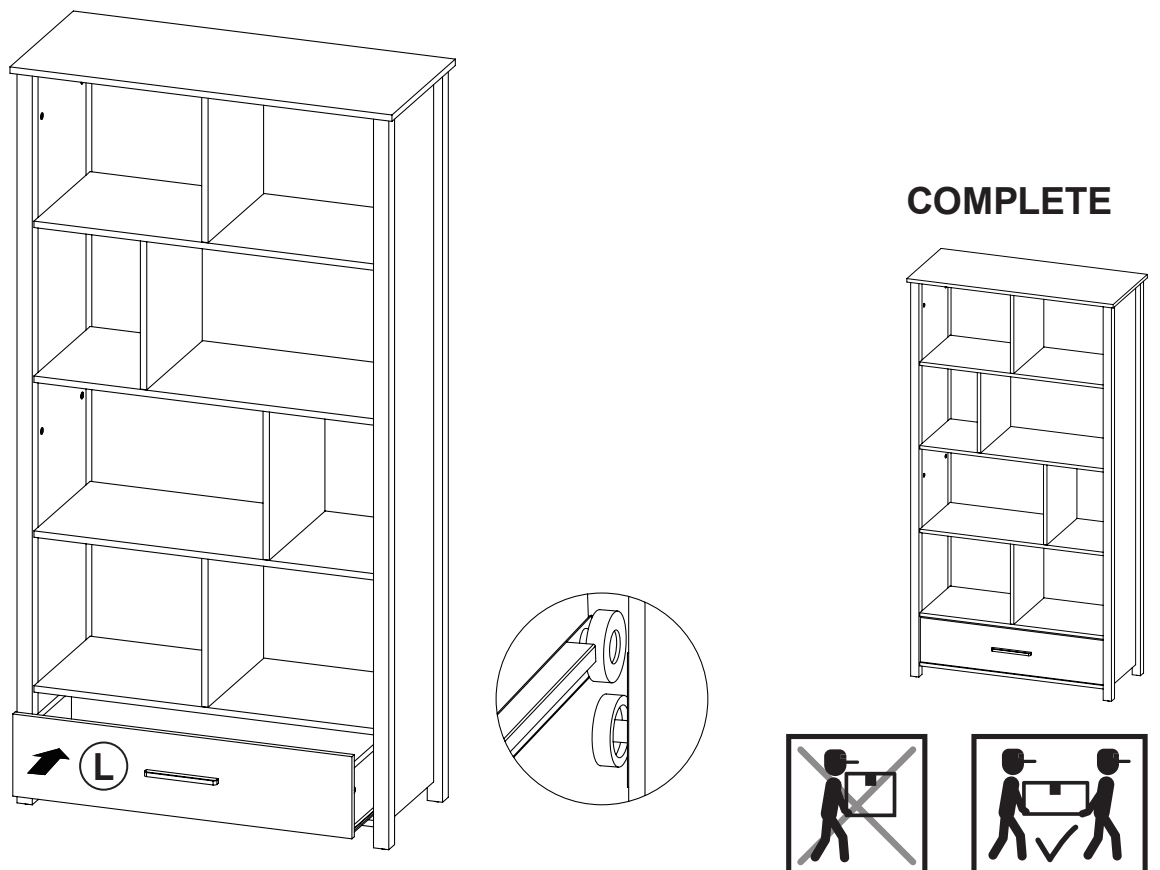
STEP 11-6



STEP 12



STEP 13



ANTI-TIPPING INSTALLMENT INSTRUCTIONS

FURNITURE TIPPING RESTRAINT

WARNING

Injury may result from tipping furniture.
This restraint may protect against tipping furniture.
Do not allow children to climb on furniture.
This restraint is not a substitute for proper adult supervision.
Failure to detach this restraint before moving the furniture
may result in injury and damage.

1. To attach the anti-tip strap, securely mount one end to the top of the case piece with the 5/8" screw.
2. Position the case piece against the wall in the desired location.
3. Pull the anti-tip strap taut and mark the position of where you will secure the other end on the wall.
4. Drill a 1-1/4" hole in the spot you marked.
5. Tap in plastic wall plug.
6. Fasten anti-tip strap with wall screw provided.

(Please install the anti-tipping kit in the middle of the case piece if only have one set of anti-tipping kit.)

