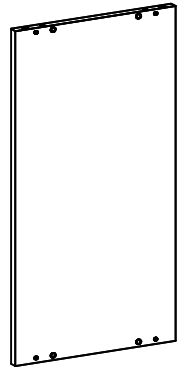
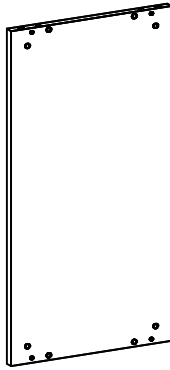




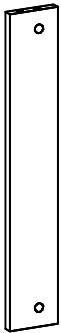
Ax3



Bx2



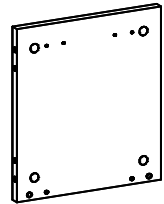
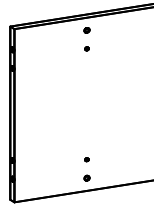
Cx2



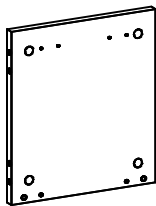
Dx4



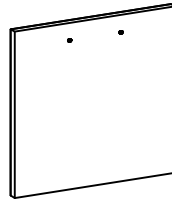
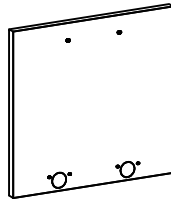
Ex4



Fx2



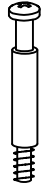
Gx2



Hx4



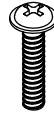
Ix36



Jx36



Kx36



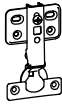
Lx8



Mx8



Nx86



Ox8



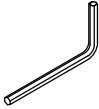
Px8



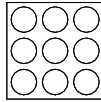
Qx4



Rx48



Sx1

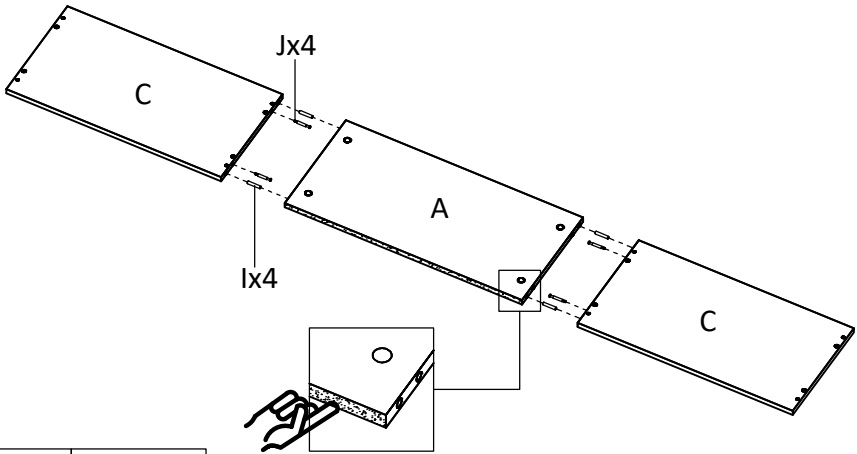


Tx4

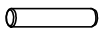


x2

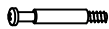
①

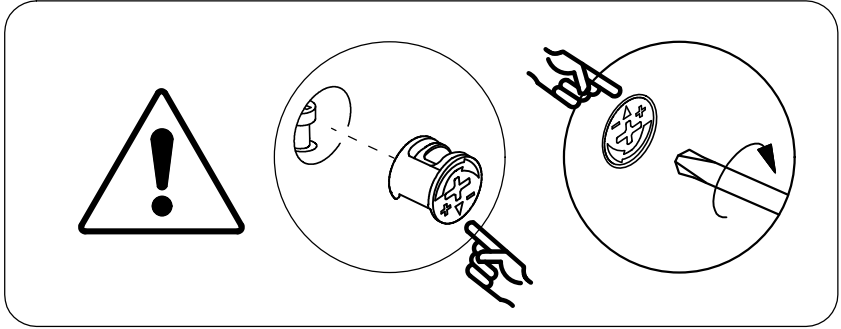


Ix4

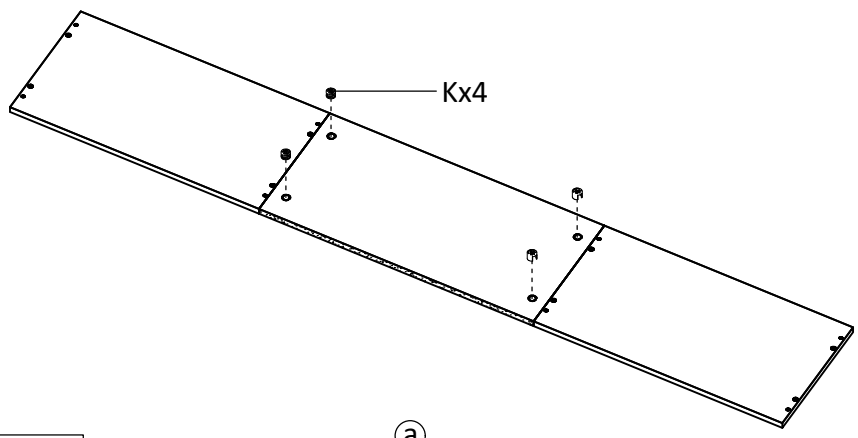


Jx4

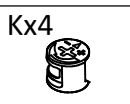




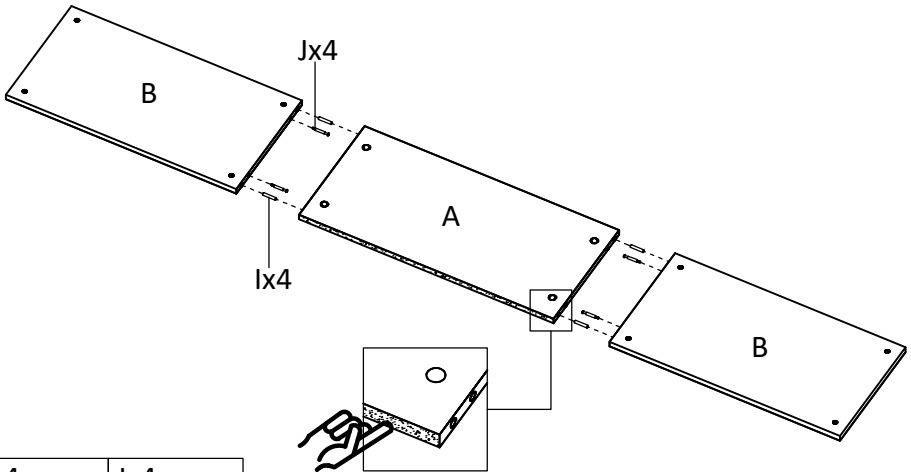
②



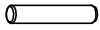
Ⓐ



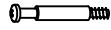
③



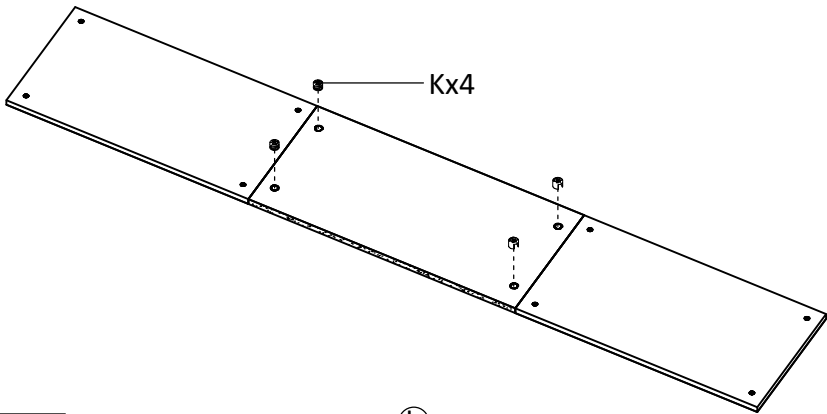
Ix4



Jx4



④



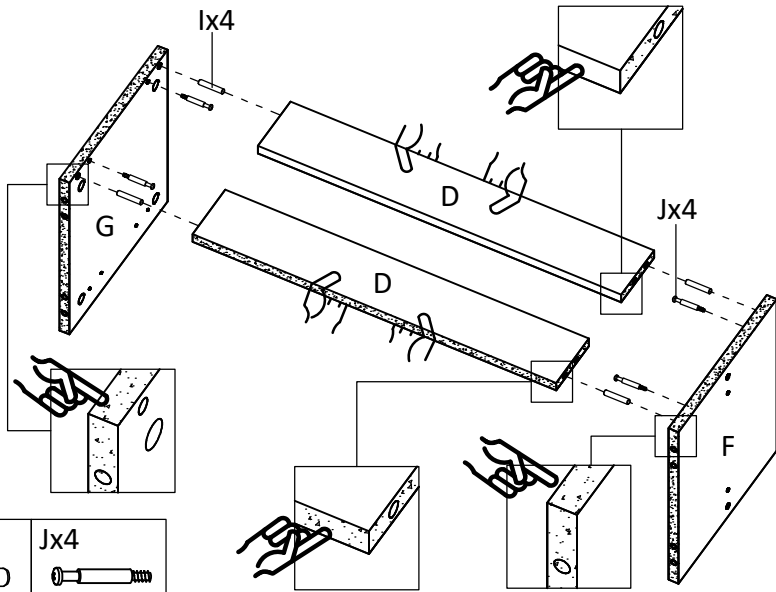
Kx4

ⓑ

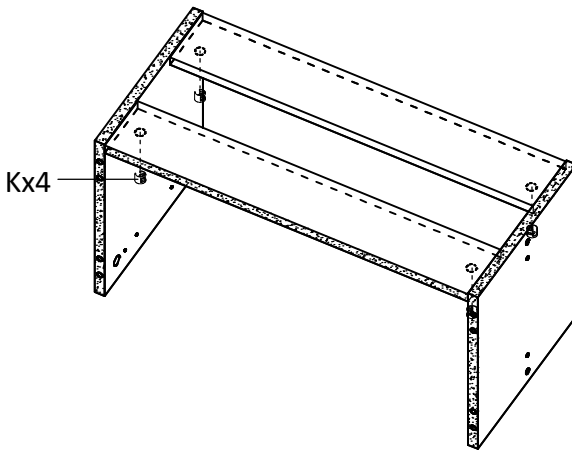
Kx4



5

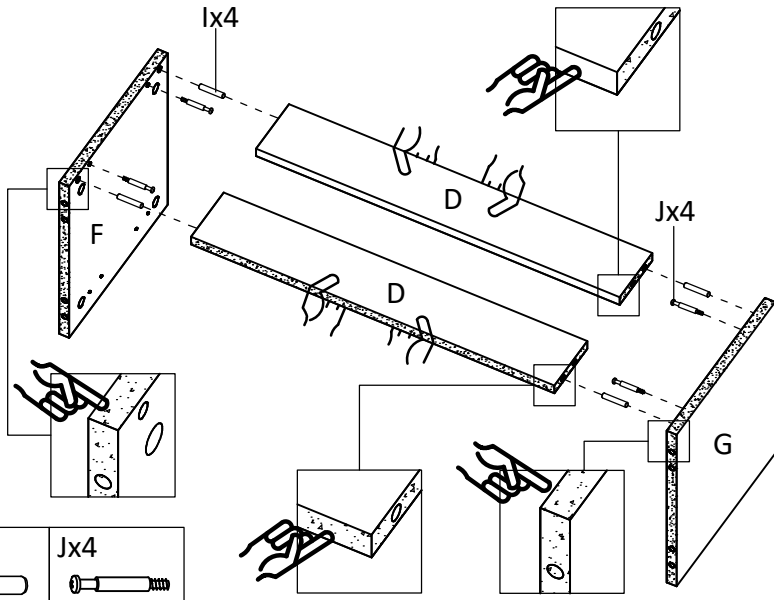


6

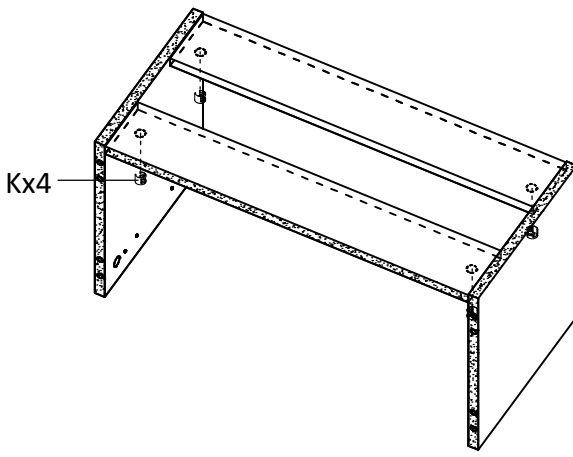


C

7

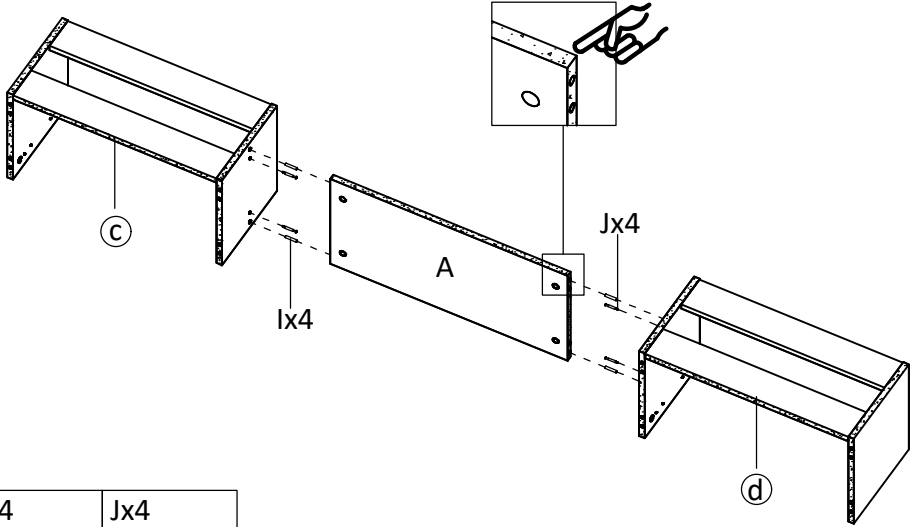


8

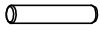


d

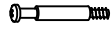
9



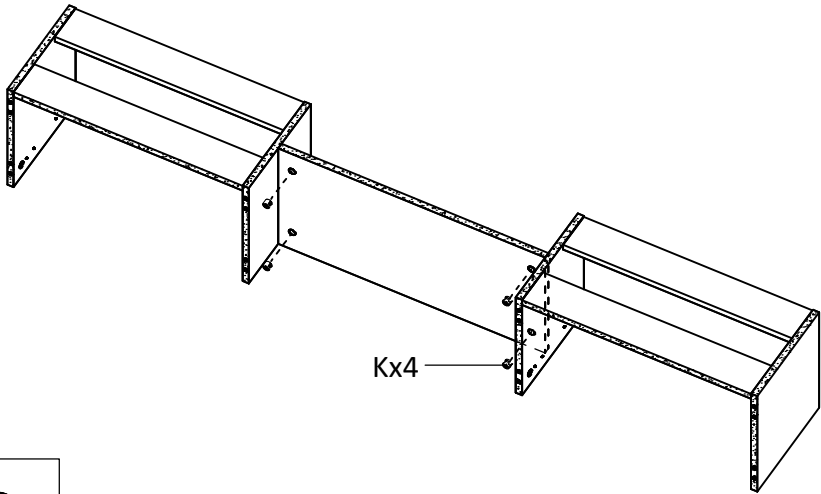
Ix4



Jx4



10

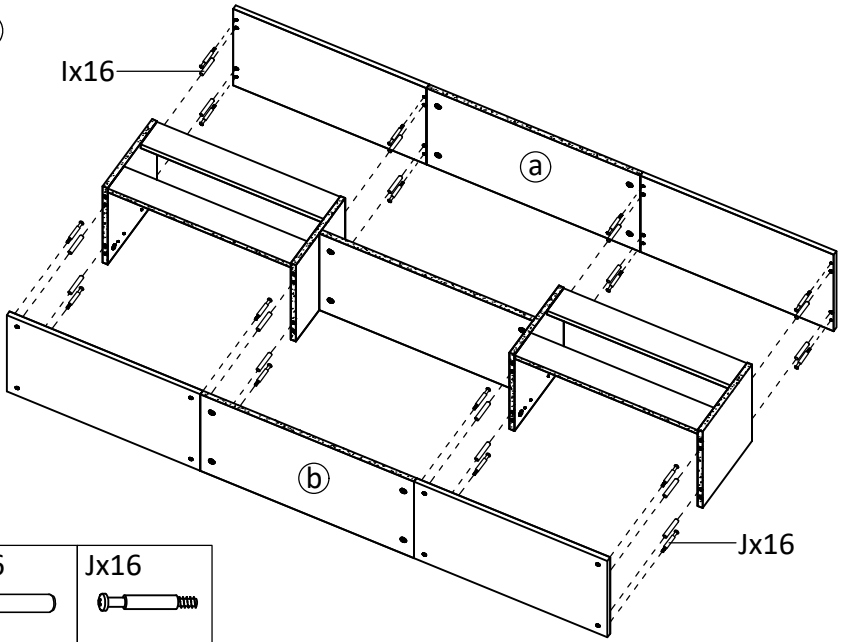


Kx4

Kx4



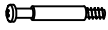
11



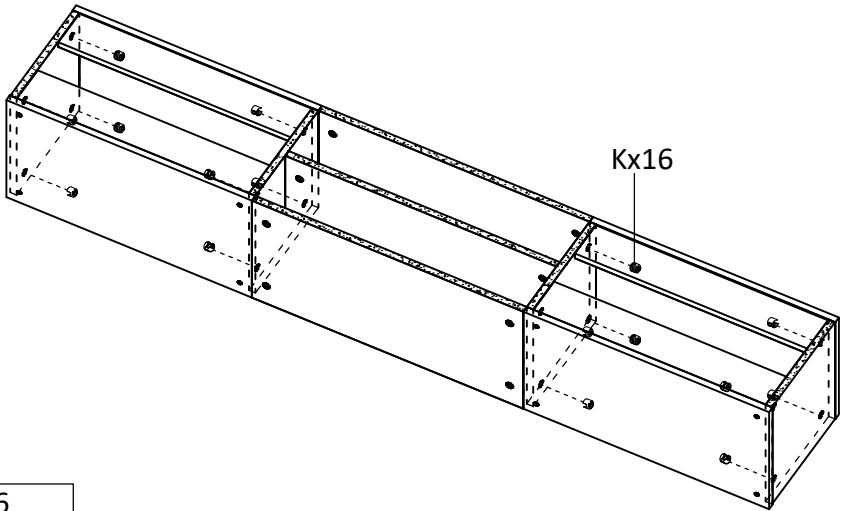
I x 16



J x 16



12

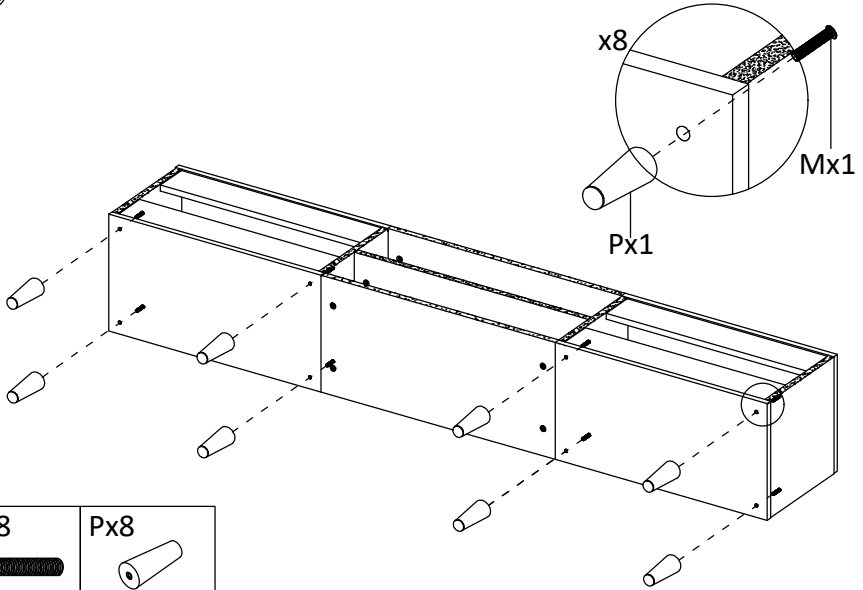


K x 16

K x 16



13



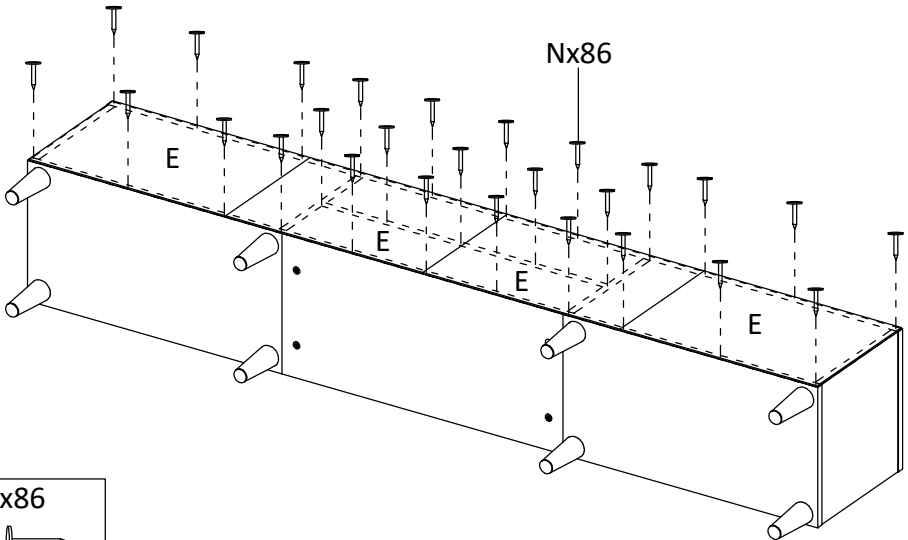
Mx8



Px8



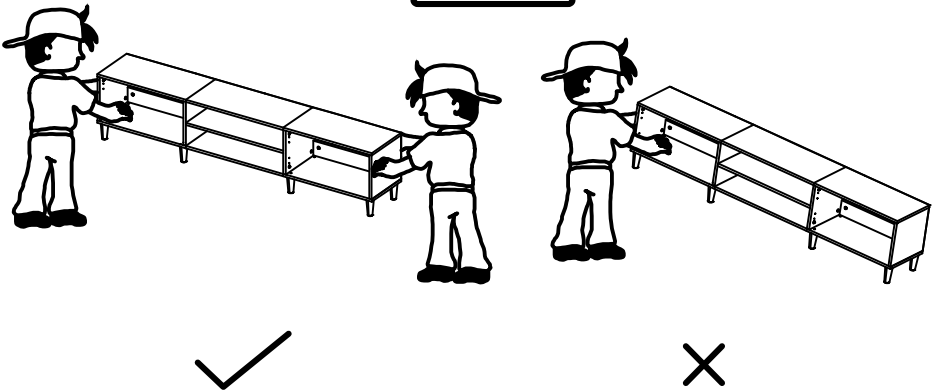
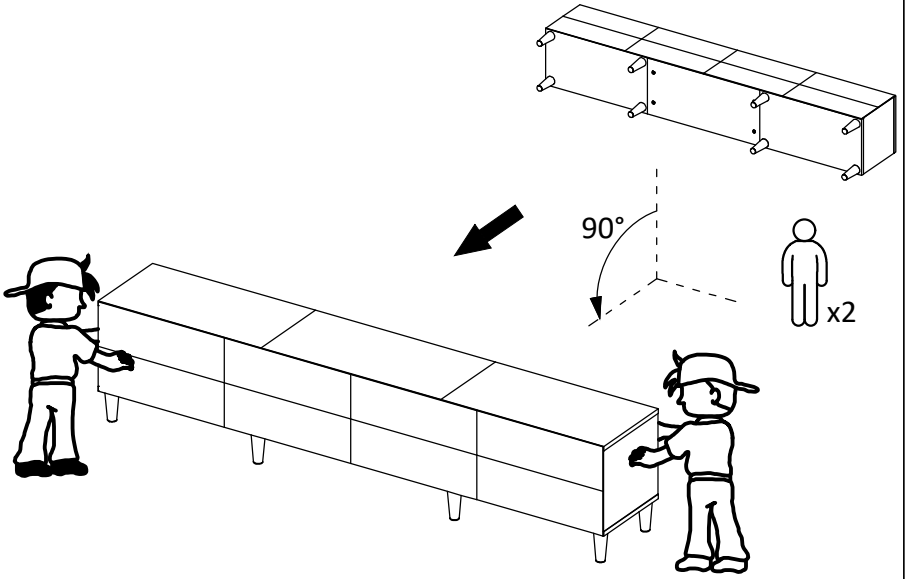
14

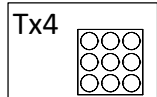
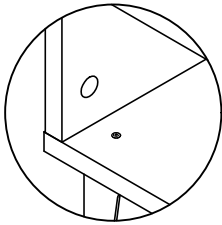
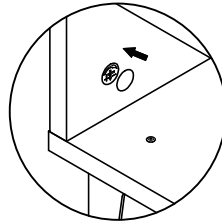
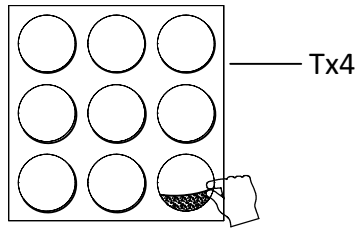
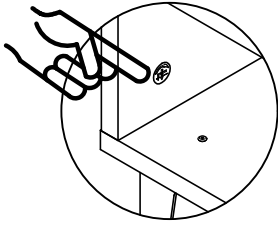


Nx86

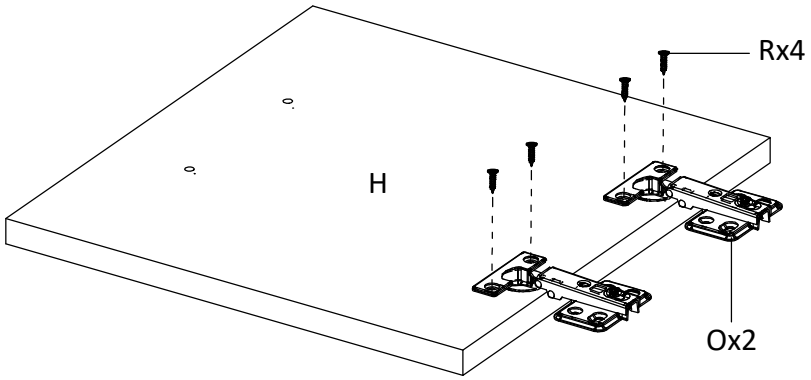


15





16x4



Ox8

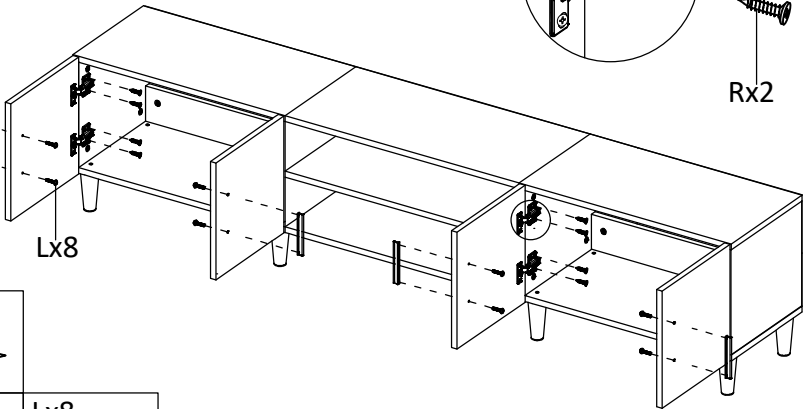


Rx16



17

Qx4



x8

Rx2

Rx16

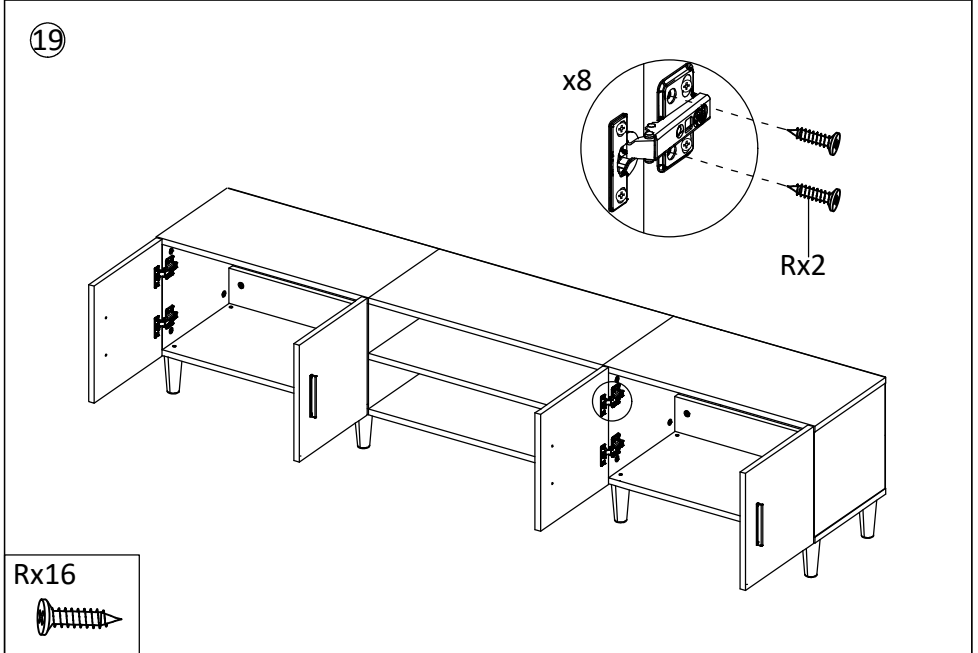
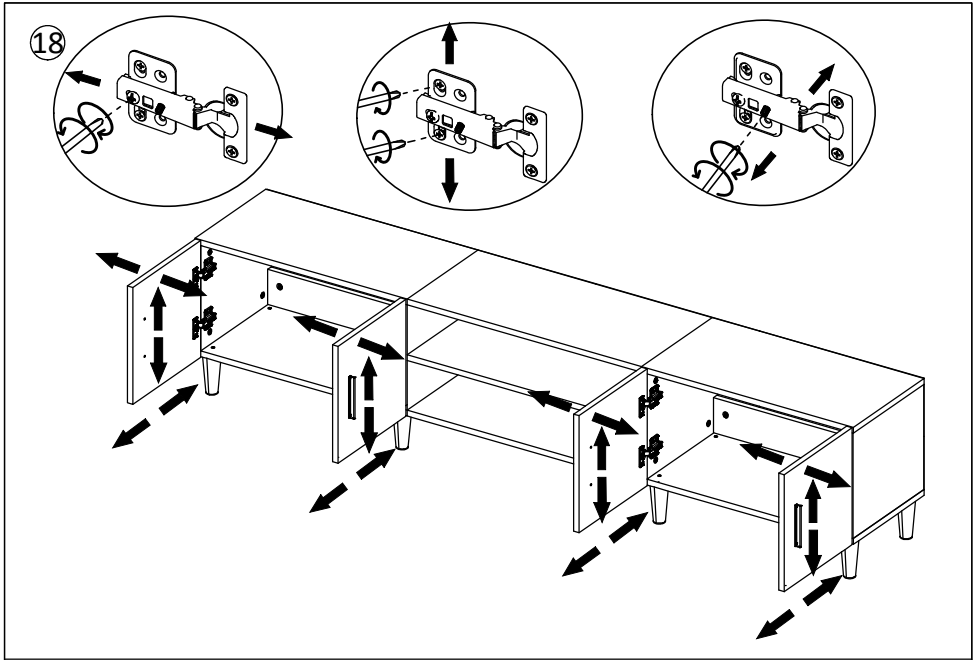


Qx4



Lx8





20

