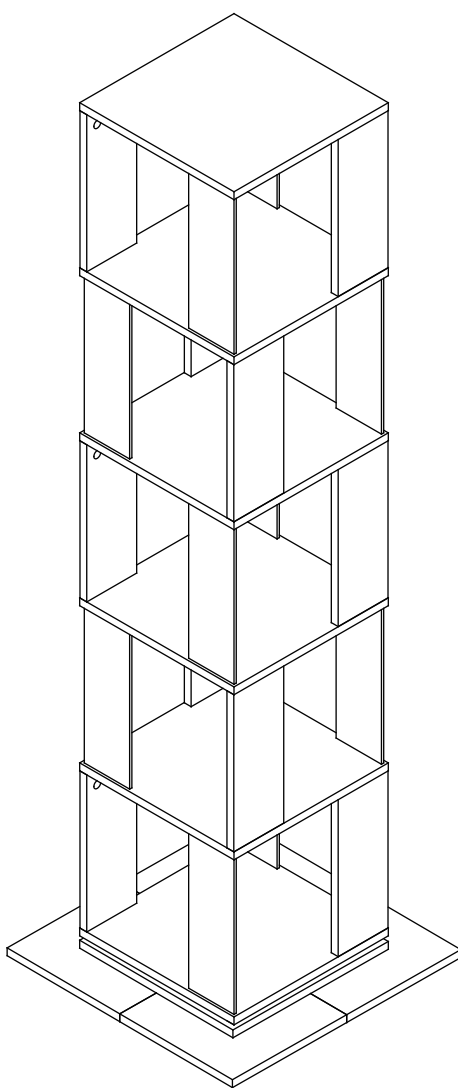
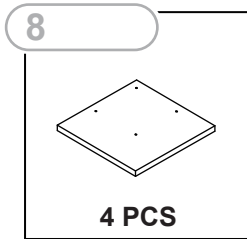
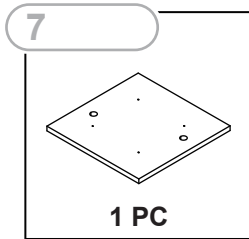
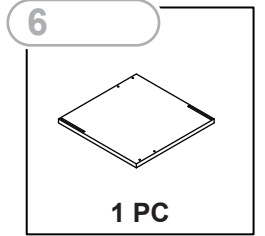
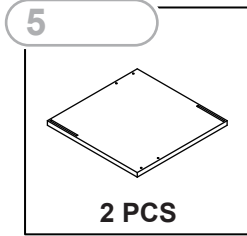
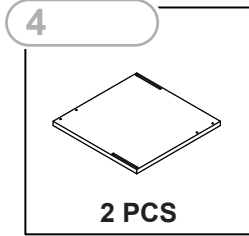
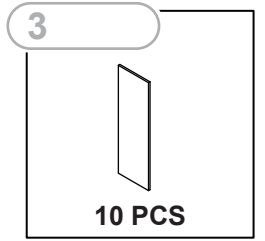
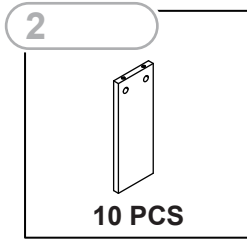
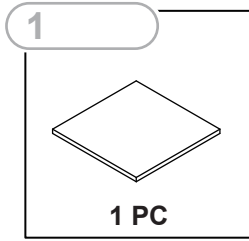
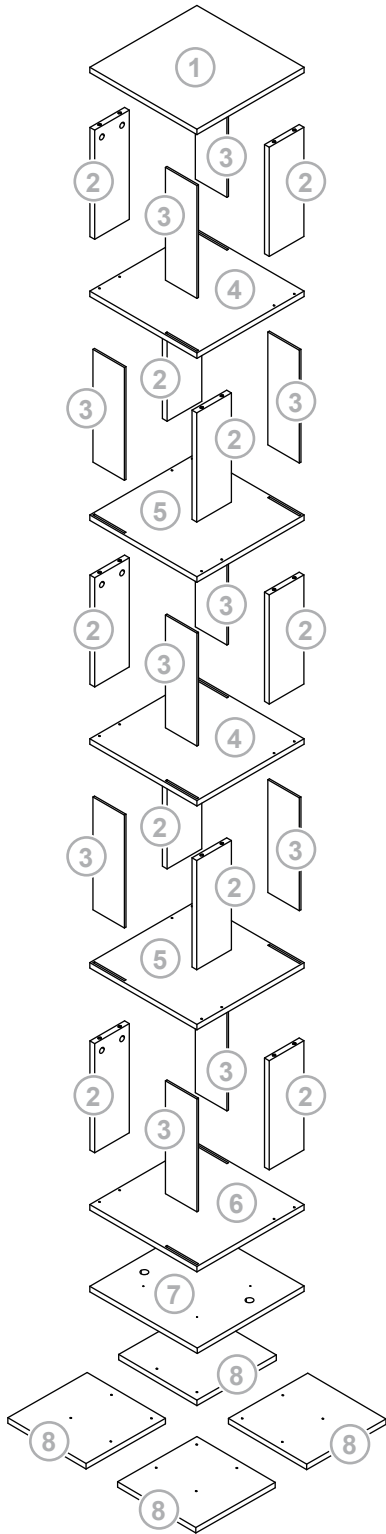


DJYC2403 / 2403B

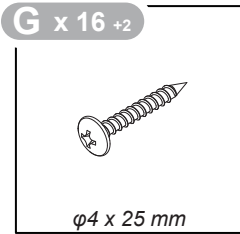
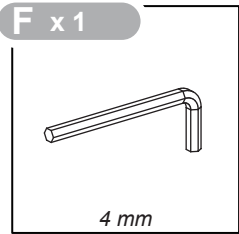
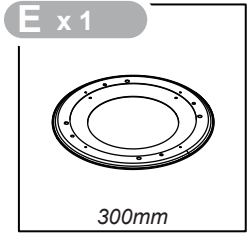
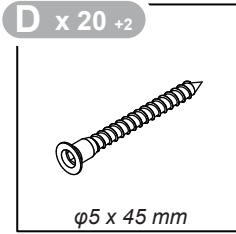
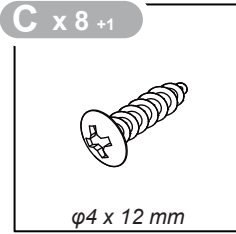
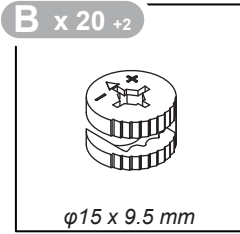
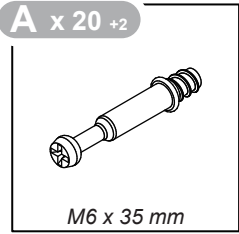
ASSEMBLY INTRODUCTION



Plate

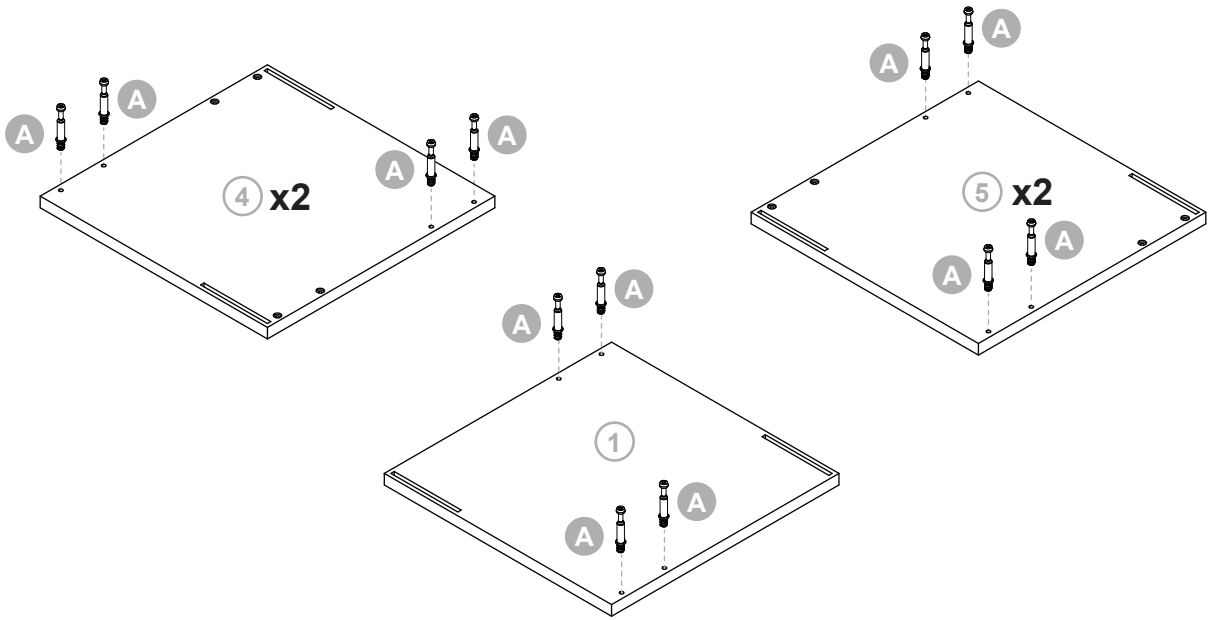
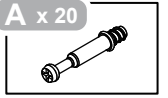


Fitting



1

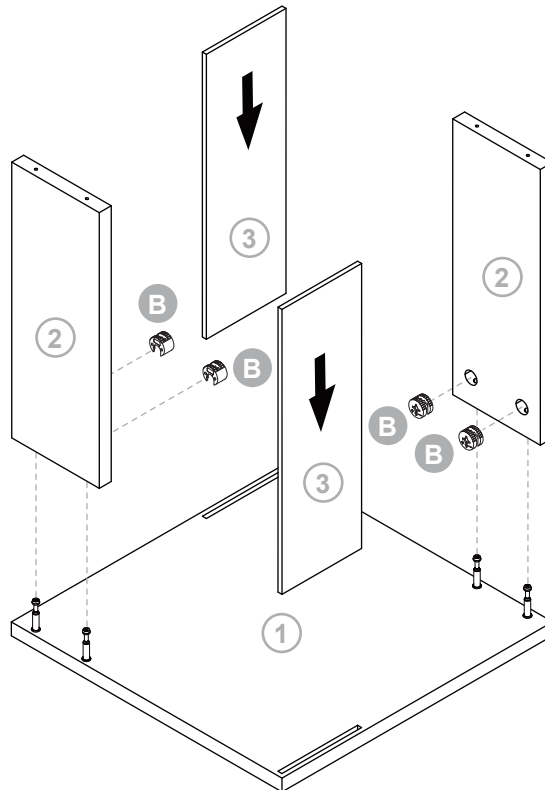
A x 20



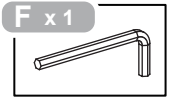
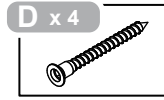
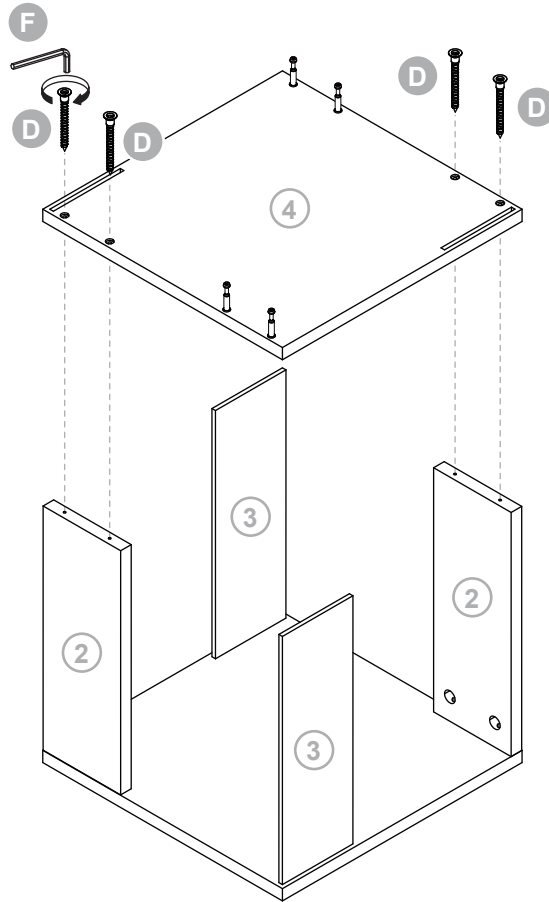
2

Remove the protective film of the acrylic sheet.

B x 4

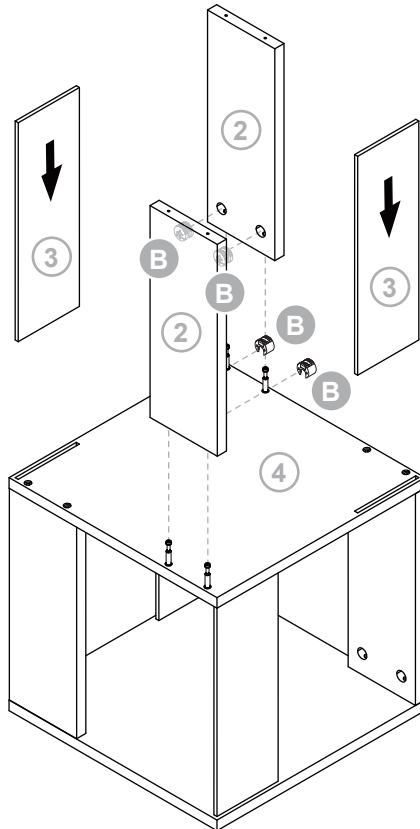
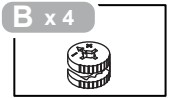


3

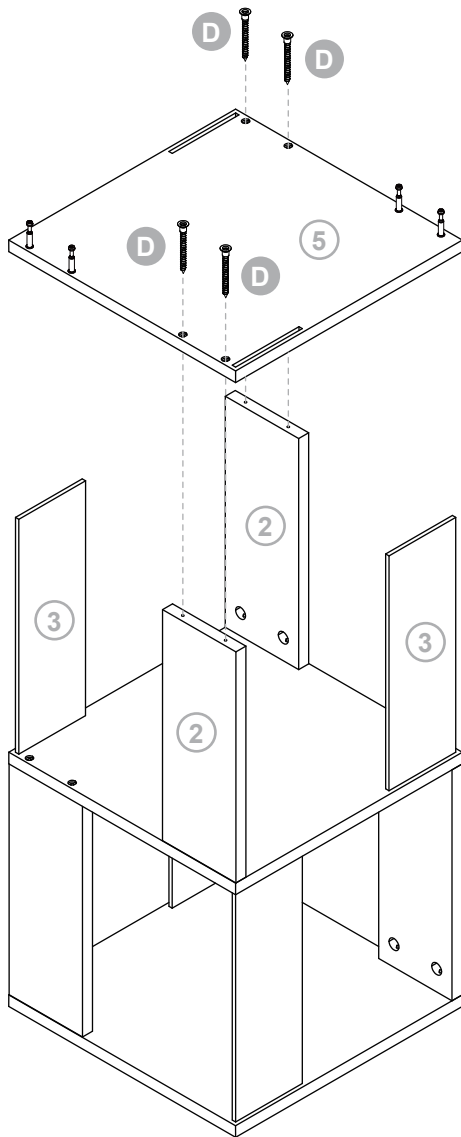
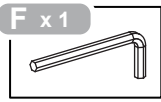
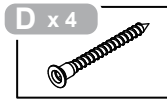


4

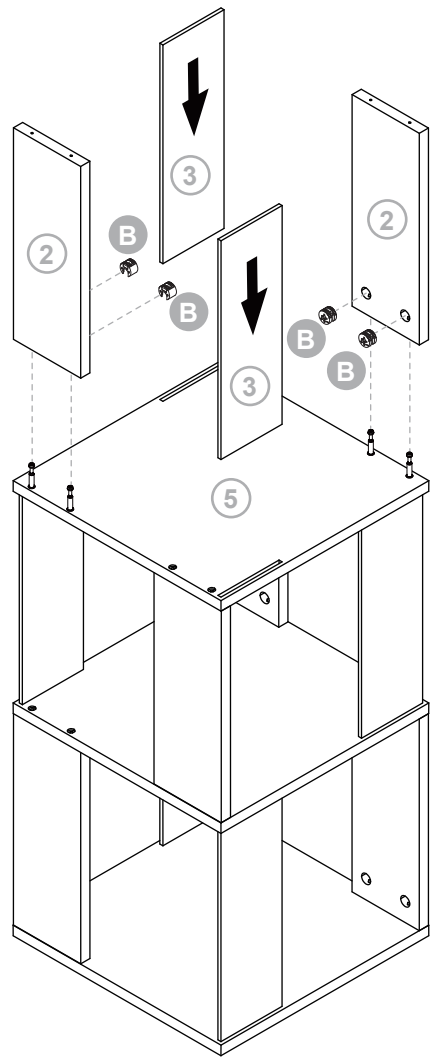
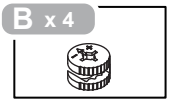
Remove the protective film of the acrylic sheet.



5



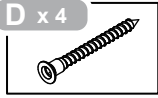
6



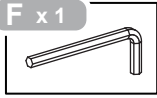
Remove the protective film of the acrylic sheet.

7

D x 4

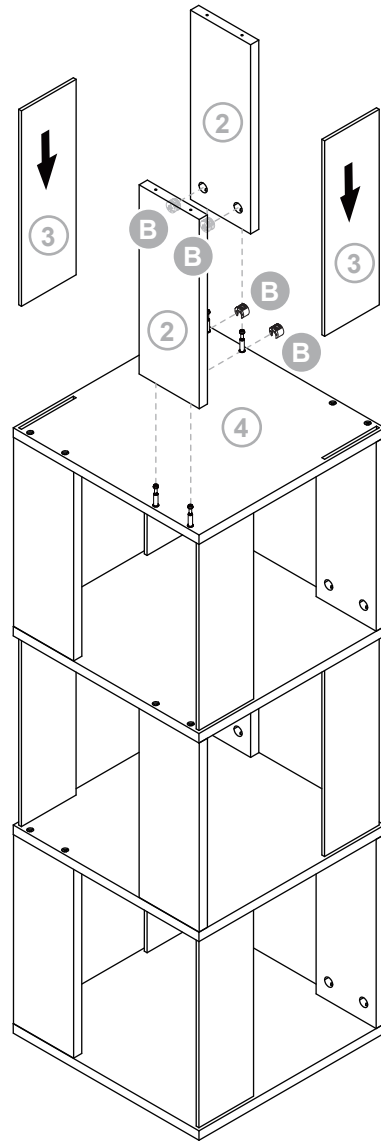
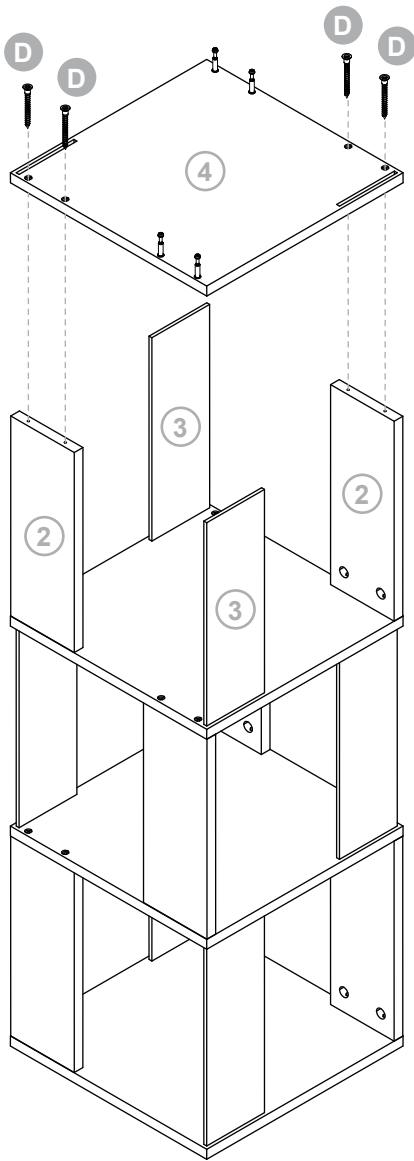
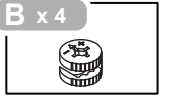


F x 1



8

B x 4



Remove the protective film of the acrylic sheet.

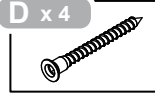
9

B x 4

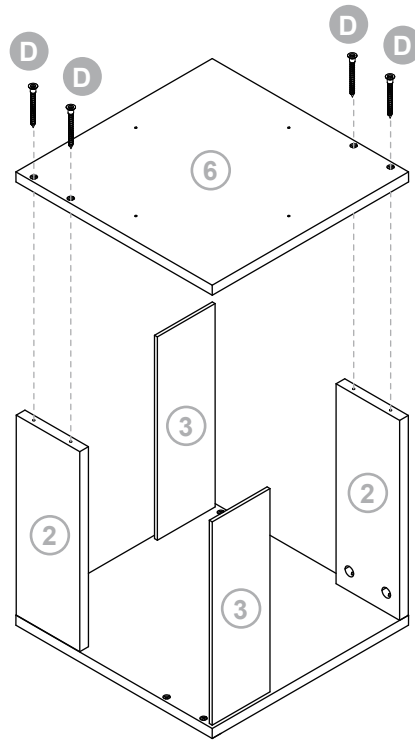
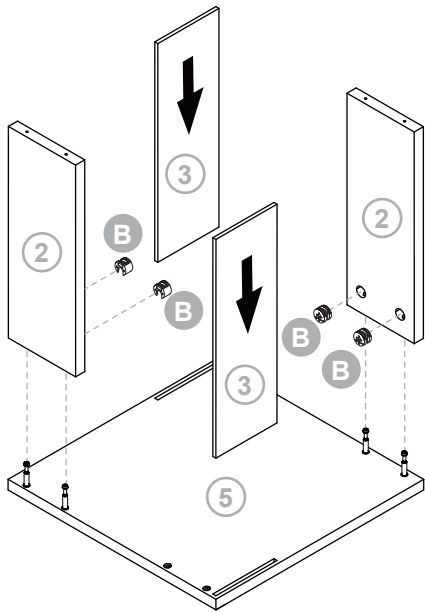
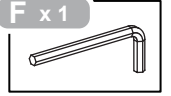


10

D x 4

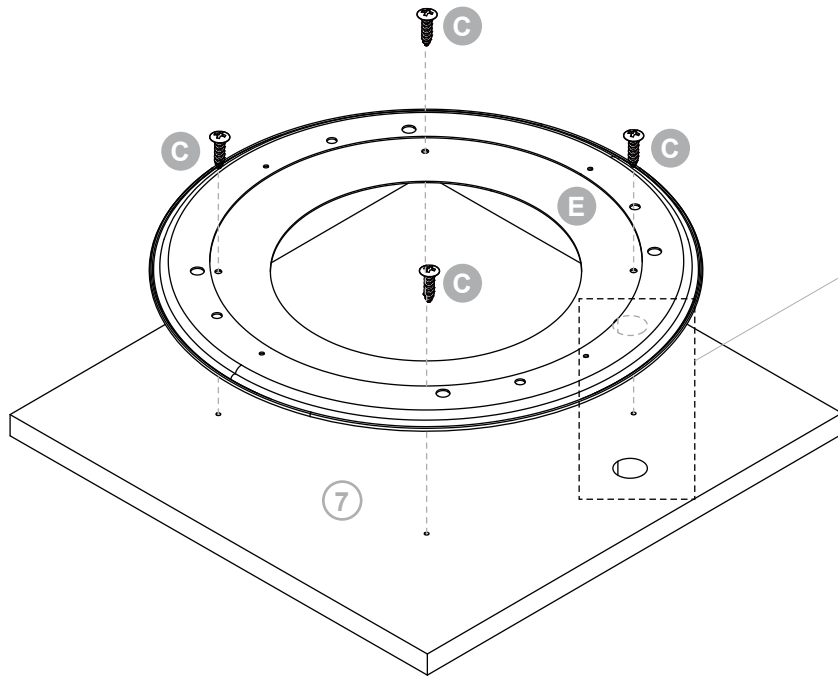
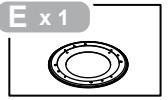
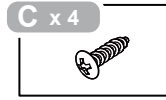


F x 1

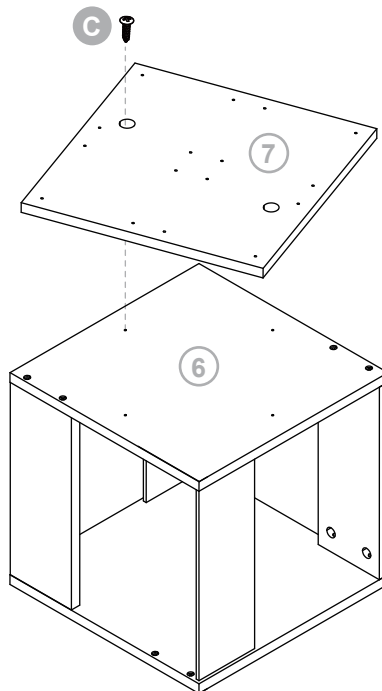
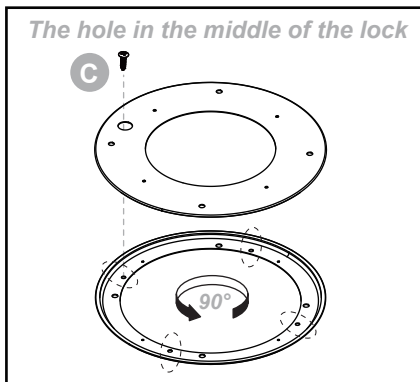
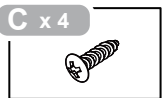


Remove the protective film of the acrylic sheet.

11

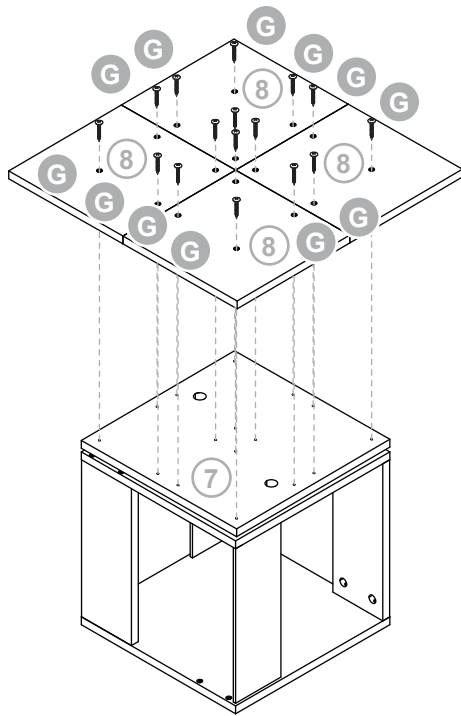


12



13

G x 16



14

D x 4



F x 1

