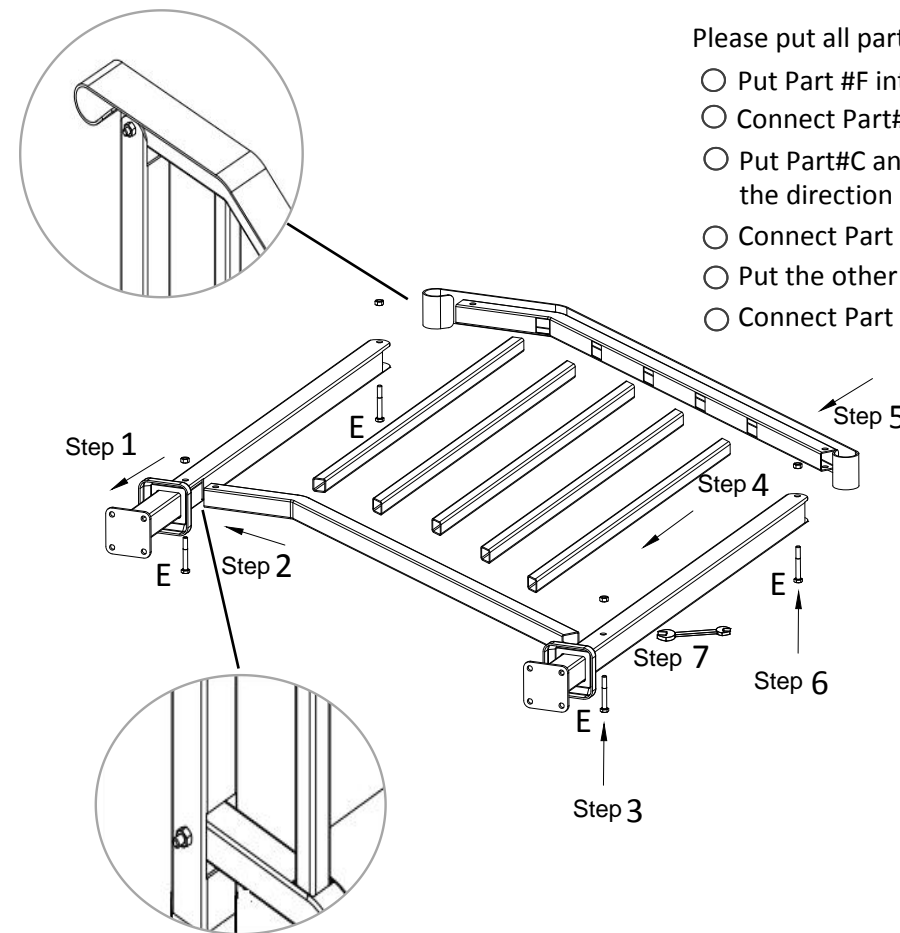


USER MANUAL

A 2pcs	B 1pcs	C 1pcs	D 4pcs	E 1pcs	
F 2pcs	G 4pcs	H 4pcs	I 4pcs	J/K 8/8pcs	L 1pcs

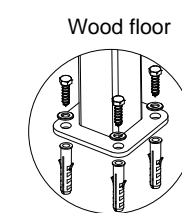
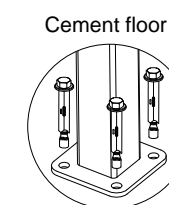
Please put all parts on the ground.

- Put Part #F into Part# A
- Connect Part#B and Part#A twφ with Part I#G
- Put Part#C and Part #D into holes of Part B (Please pay attention to the direction of Part#D as shown in the figure)
- Connect Part #E (the short side) and Part #A with Part# G&I
- Put the other side of Part C and Part D into holes of Part E
- Connect Part E (the long side) and Part A with Part G\$!



Tips: Avoiding mistakes, when processing the first and second step, we suggest do not connect parts tightly.

Need an electric drill to drill 12mm hole



- Place the handrail on suitable stairs
- Screw Part G by Part L
- Mark hole sites on stairs tracing four holes of Part A
- Leave the handrail alone and drill down according to the mark with a 12 MM driller
- Align the handrail and holes, Knock nails (part K/J) into the ground with hammer (Cement floor and marble floor, please using Part K; Timber floor, please using Part J)

