




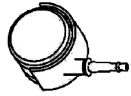
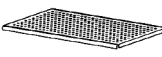



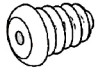







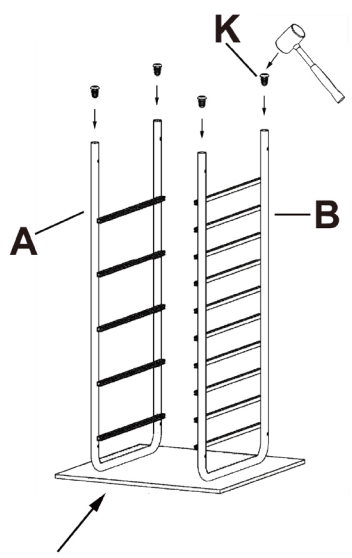
USER'S MANUAL
15 TIER K/D STORAGE CART

PRODUCT ASSEMBLY

<p>A</p>  <p>1PCS</p>	<p>B</p>  <p>1PCS</p>	<p>C</p>  <p>1PCS</p>	<p>D</p>  <p>4PCS</p>	<p>E</p>  <p>2PCS</p>
<p>F</p>  <p>2PCS</p>	<p>G</p>  <p>1PCS</p>	<p>H</p>  <p>15PCS</p>	<p>I</p>  <p>5PCS</p>	<p>J</p>  <p>10PCS</p>
<p>K</p>  <p>4PCS</p>	<p>L</p>  <p>$\varnothing 1/4 \times 1 1/4$ 12PCS</p>	<p>M</p>  <p>$\varnothing 3/16 \times 3/8$ 15PCS</p>	<p>N</p>  <p>1PCS</p>	

STEP 1

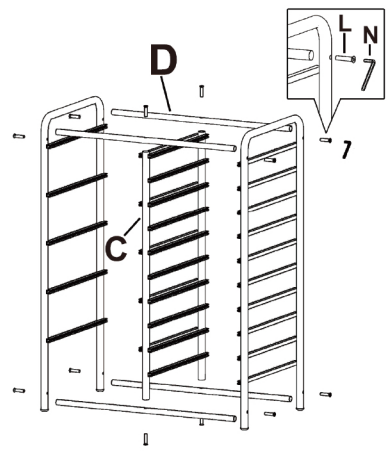
Install K to the A and B.



Put cardboard / mat on ground to avoid steel frame damaged.

STEP 2

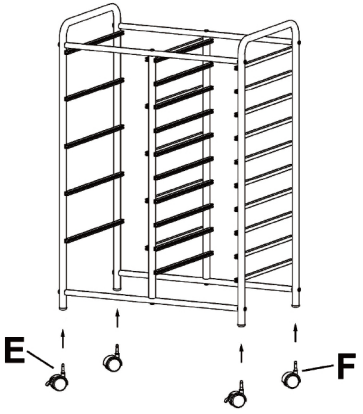
Use N screwing L to install A, B, C, D.



Please note that the drawer runner of part C need to be faced on the right direction.

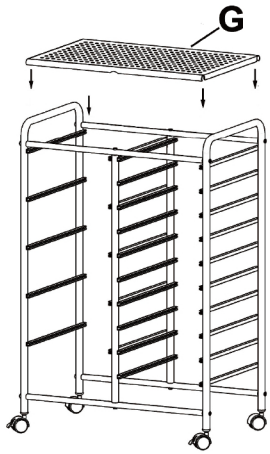
STEP 3

Install E and F to the K.



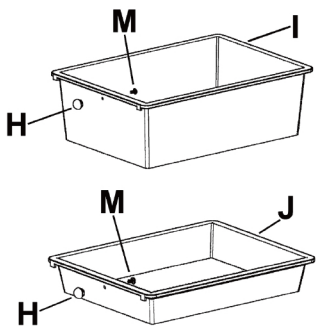
STEP 4

Install G to the D.



STEP 5

Install part H to the drawer I / J with the hardware M.



STEP 6

