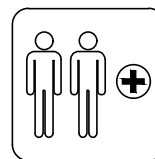
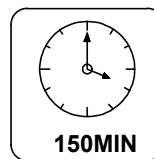
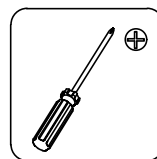
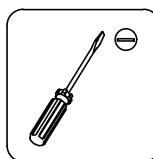
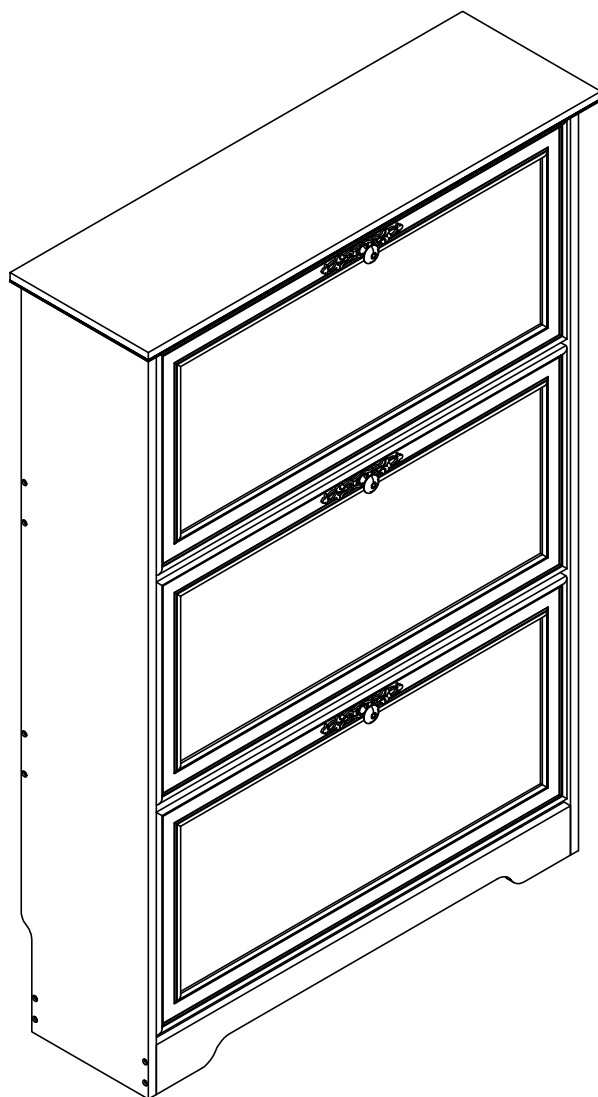


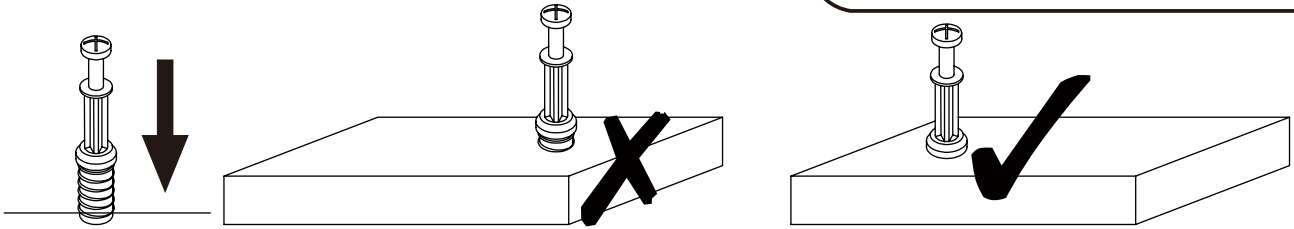
# Installation & Assembly

Version:1.0

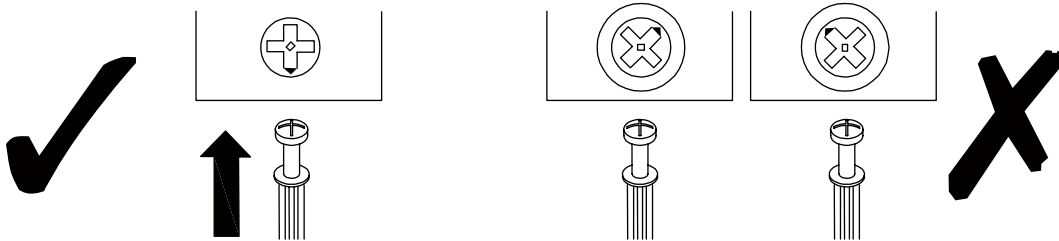


**EN\_IMPORTANT, RETAIN FOR FUTURE REFERENCE: READ CAREFULLY.**

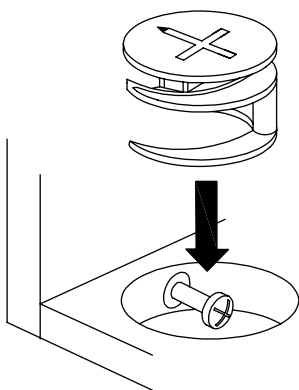
**USING CAM LOCK AND QUICKFIT**



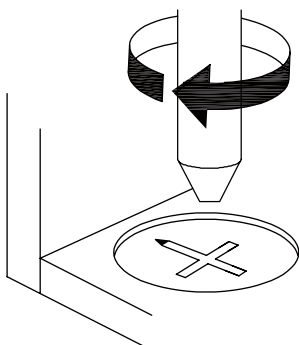
**EN\_QUICKFIT:** Tighten quickfit until shoulder is flush with panel. Do not overtighten or undertighten.



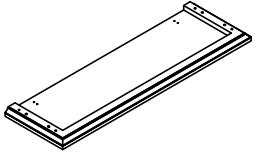
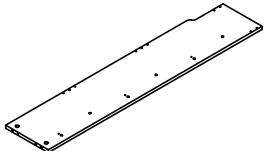
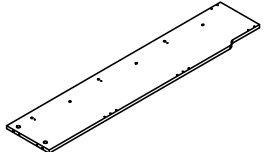
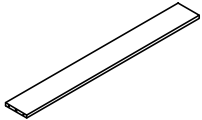
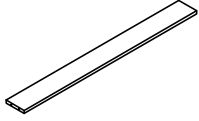
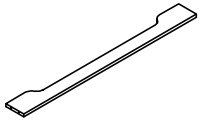
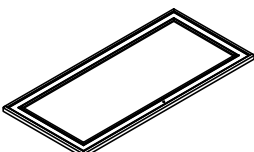
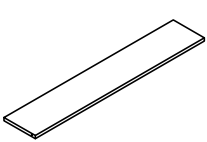
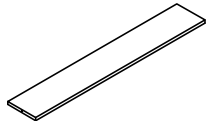

**EN\_CAM LOCK:** When fitting cam lock, ensure starting position is correct before you insert connecting quickfit.

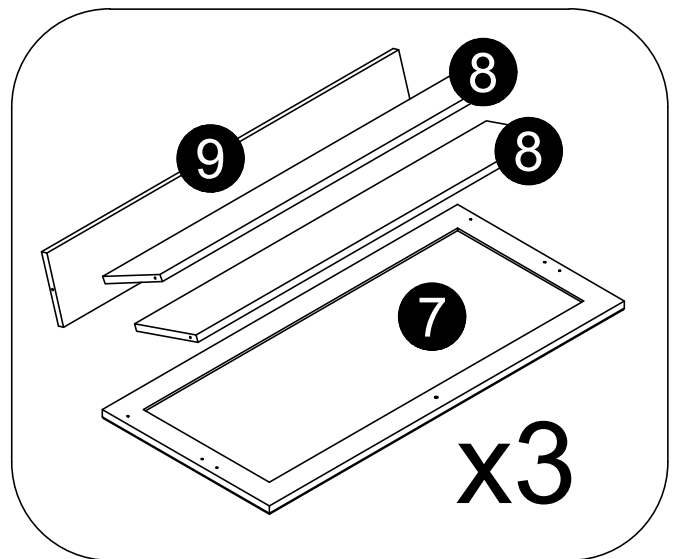
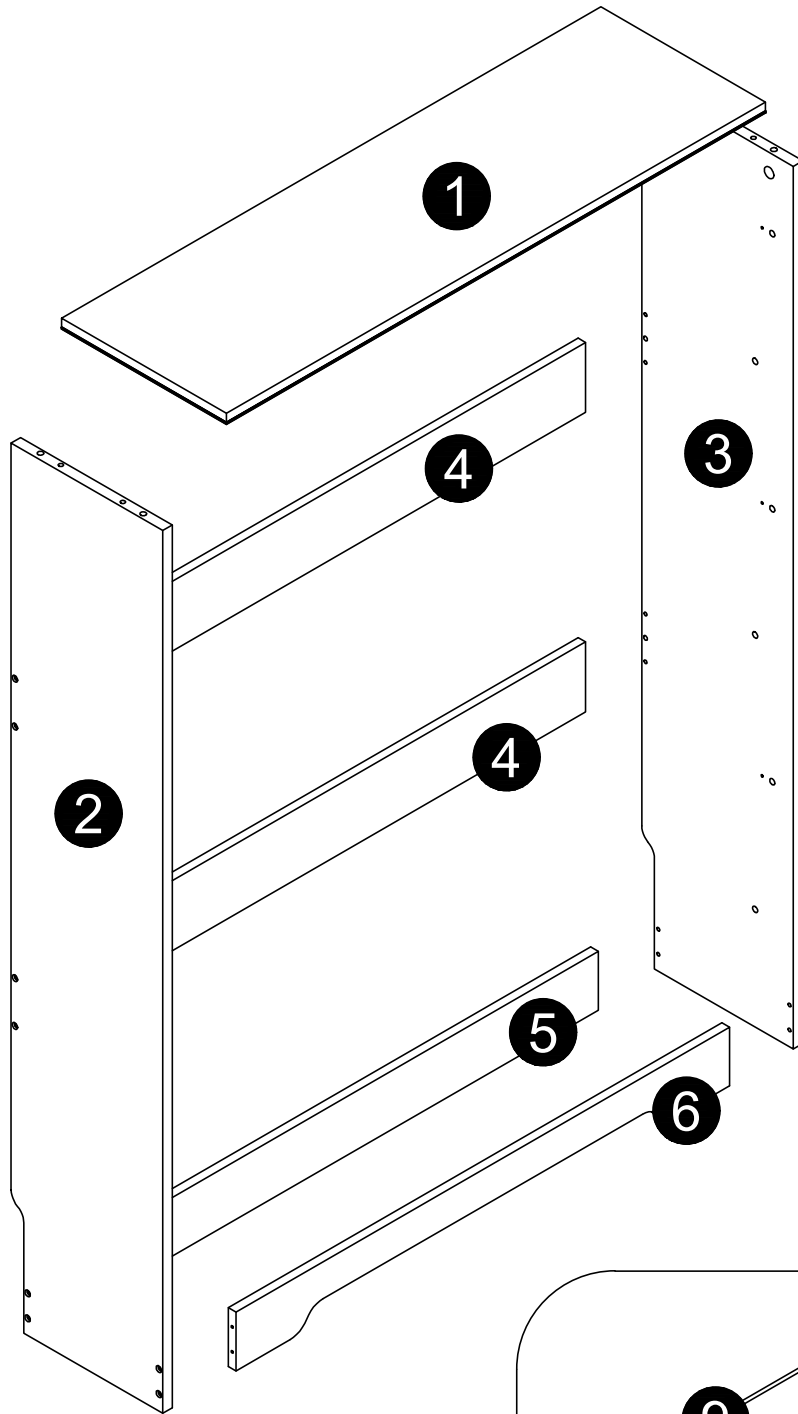


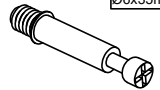

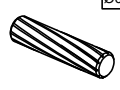
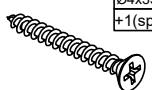
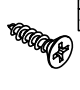
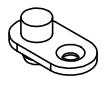


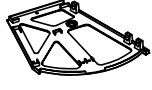
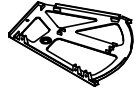
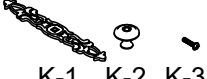
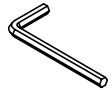
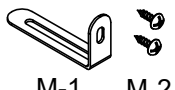
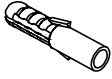

**EN\_Quickfit** head should be in the centre of the cam lock when the two panels are joined.  
Cam lock should be inserted before quickfit.


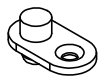


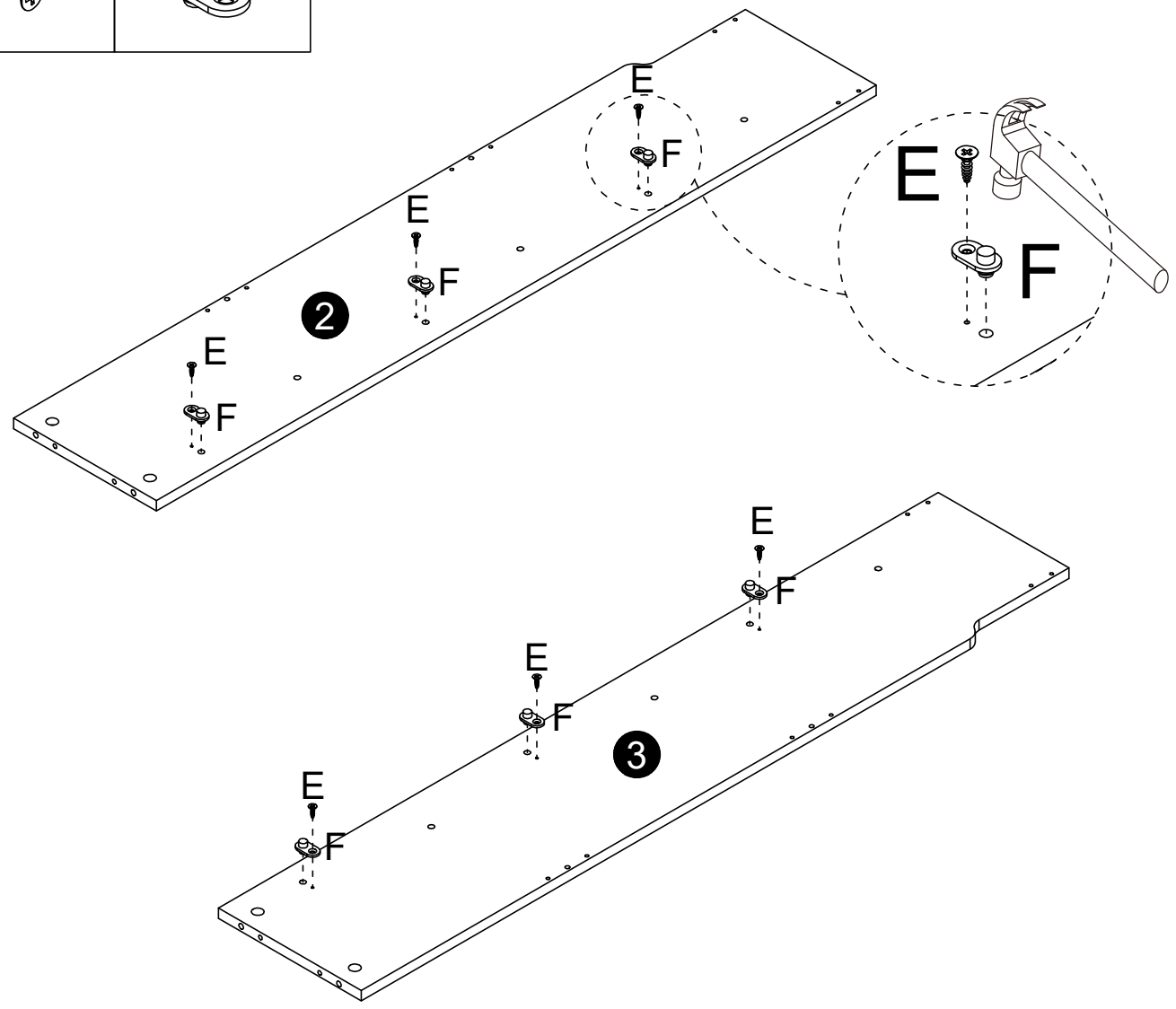
**EN\_Turn** cam lock clockwise to tighten.

NO.	PARTS	QTY	SPARE
①		x1	
②		x1	
③		x1	
④		x2	
⑤		x1	
⑥		x1	
⑦		x3	
⑧		x6	
⑨		x3	
	 Hardware Kit	x1	



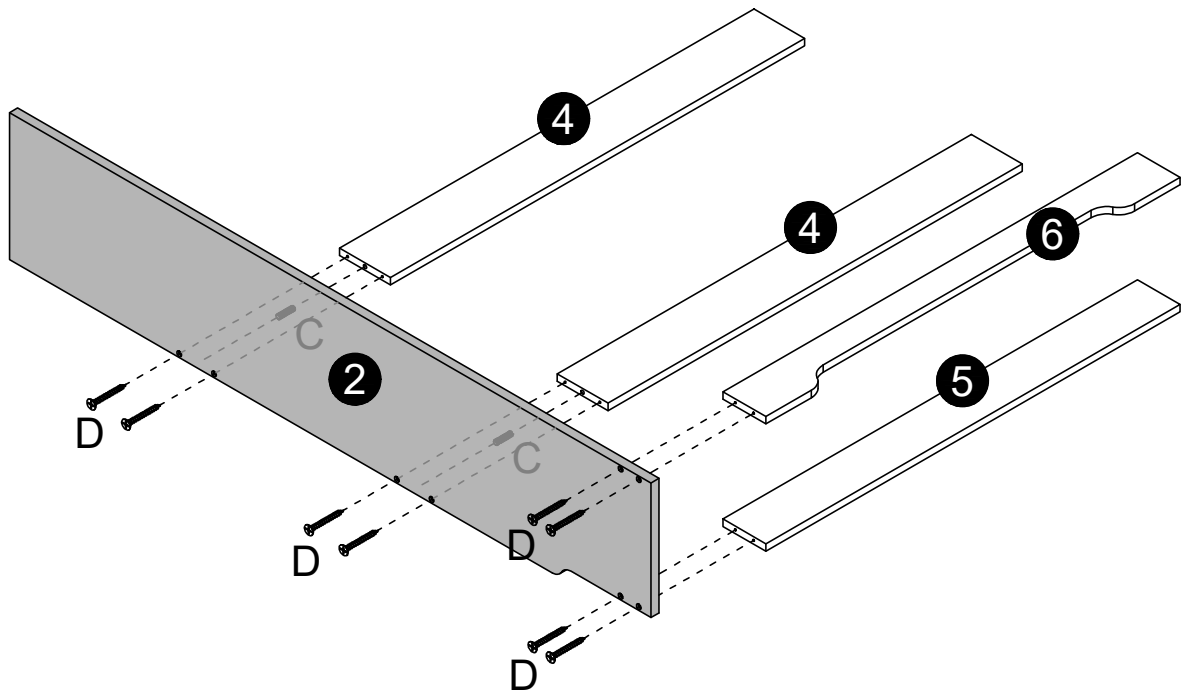
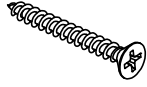
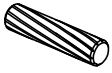
<p><b>A</b> x4 Ø6x35mm</p> 	<p><b>B</b> x4 Ø15x10mm</p> 	<p><b>C</b> x8 Ø6x30mm</p> 	<p><b>D</b> x18 Ø4x35mm +1(spare)</p> 	<p><b>E</b> x42 Ø3.5x12mm +4(spare)</p> 	<p><b>F</b> x6</p> 
<p><b>G</b> x6</p> 	<p><b>H</b> x6</p> 	<p><b>I</b> x3</p> 	<p><b>J</b> x3</p> 	<p><b>K</b> x3 K-1 K-2 K-3</p> 	<p><b>L</b> x1</p> 
<p><b>M</b> x2 M-1 M-2</p> 	<p><b>N</b> x2</p> 	<p><b>O</b> x16</p> 			

<p><b>E</b> x6</p> 	<p><b>F</b> x6</p> 
--	--



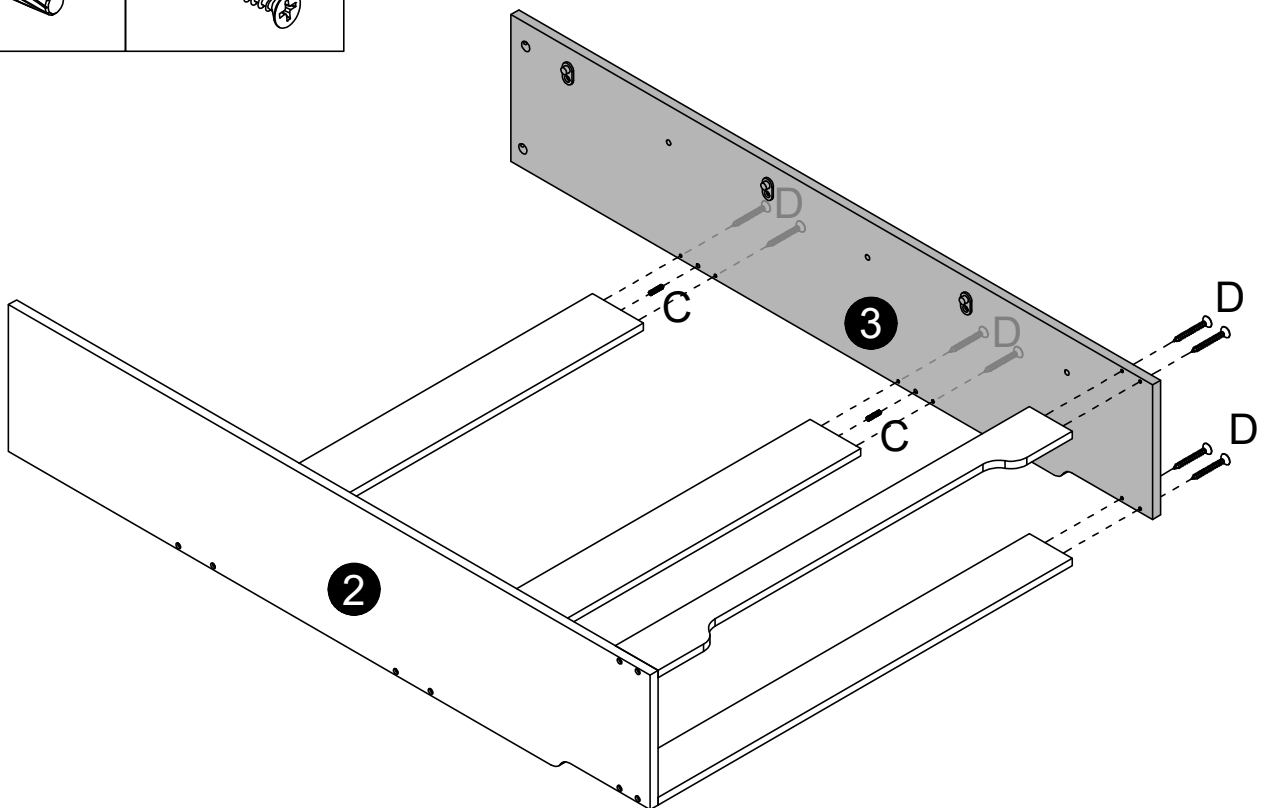
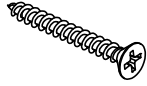
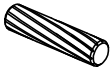
C x2

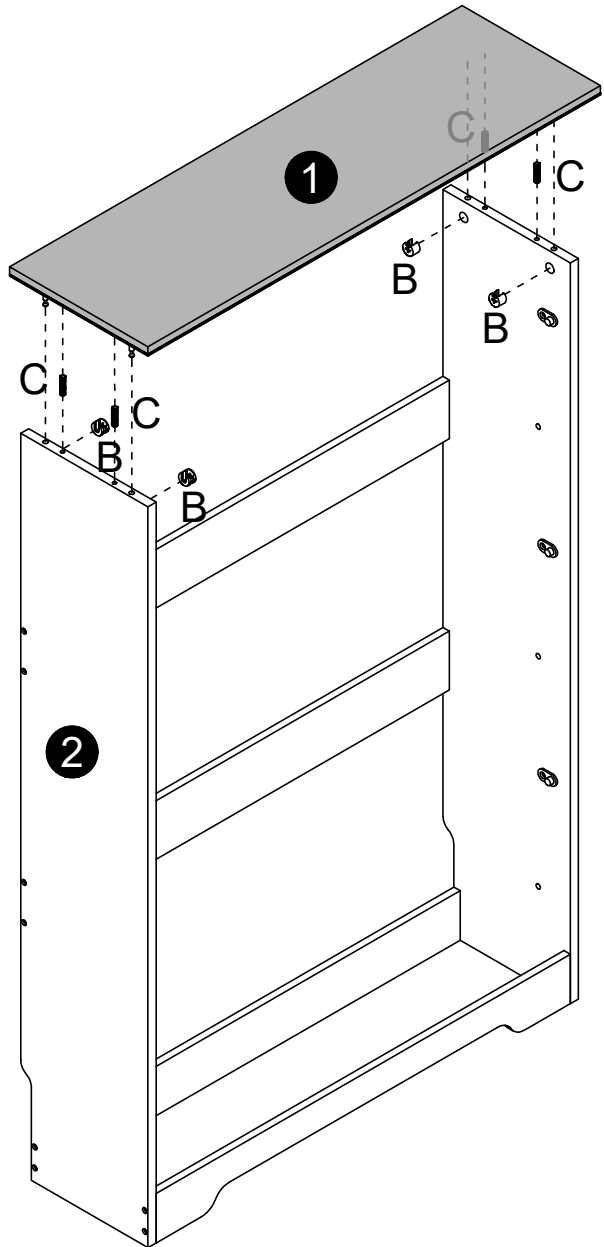
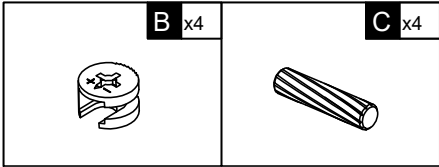
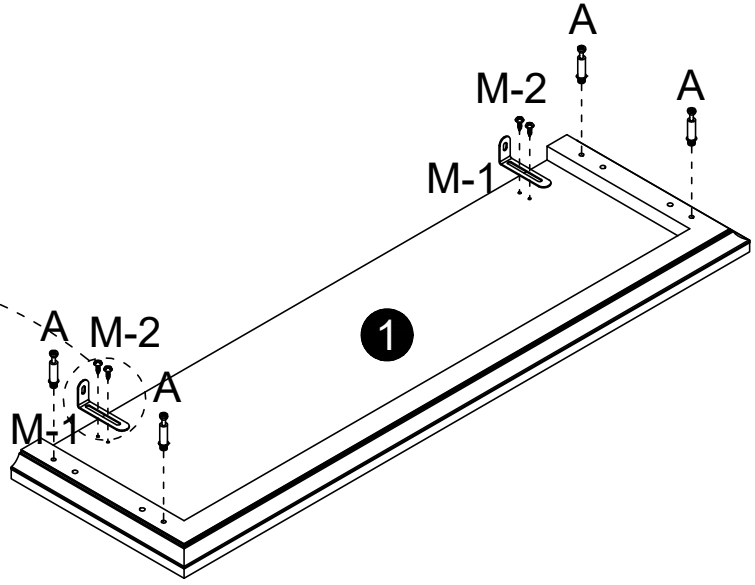
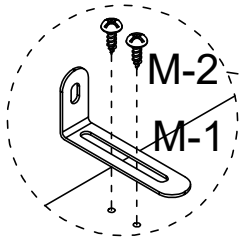
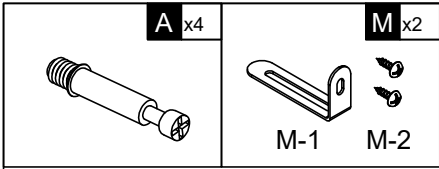
D x8



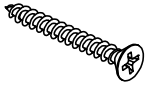
C x2

D x8

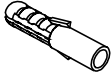




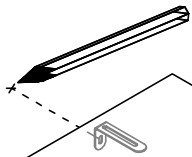
D x2



N x2



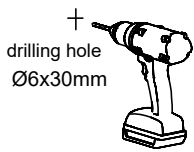
WALL



(1)x2

First, use a ruler to measure the approximate height of the product on the wall, and then mark it with a pen.

WALL

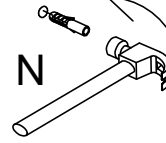


drilling hole  
Ø6x30mm

(2)x2

Then use a tape drill to make holes in the wall that are suitable for the product screws.

WALL

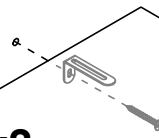


N

(3)x2

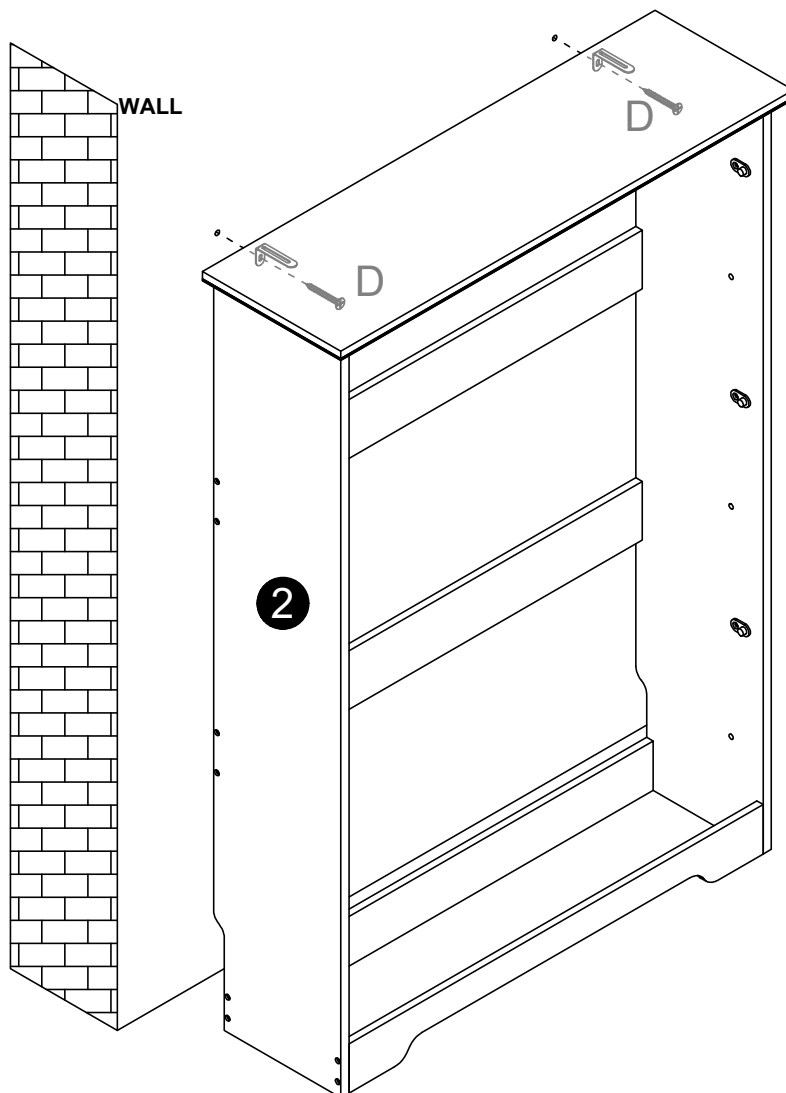
Then, put the expansion bolt into the hole

WALL



(4)x2

Finally, pass the matching screws through the "anti-rewind" and tighten them to fix them on the wall.

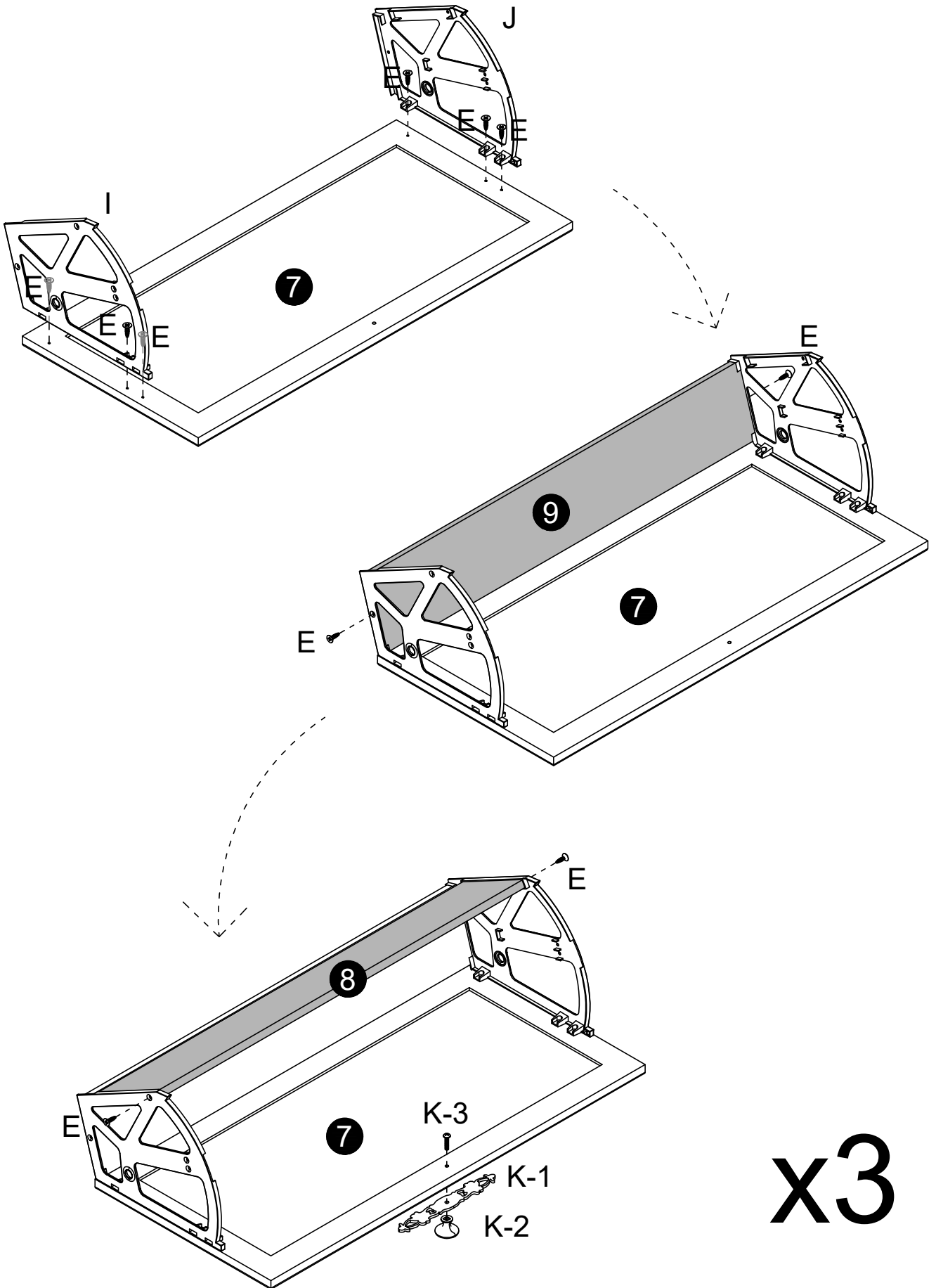
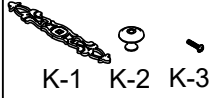
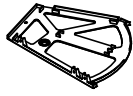
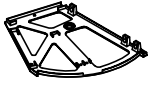


E x30

I x3

J x3

K x3

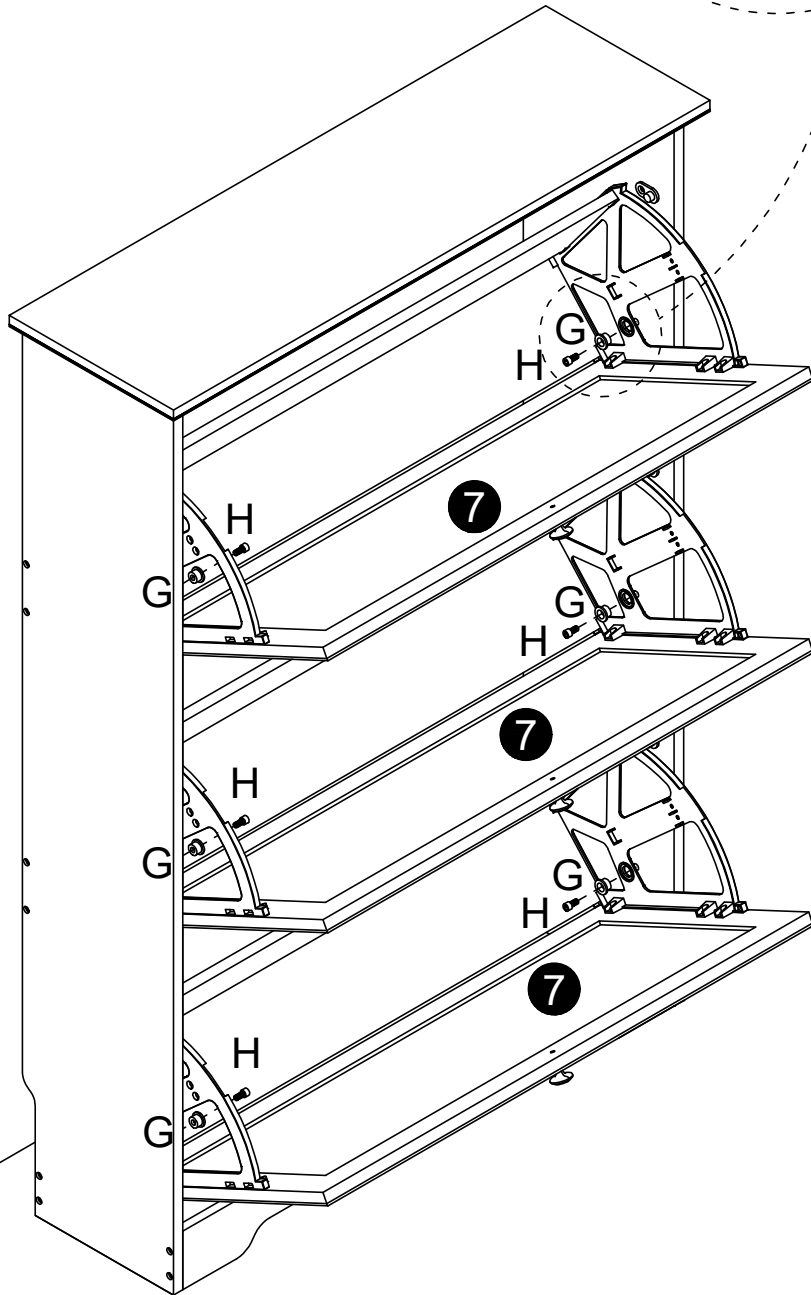
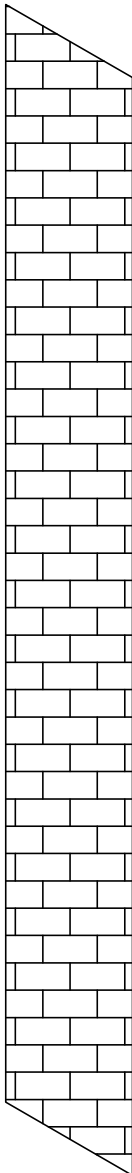
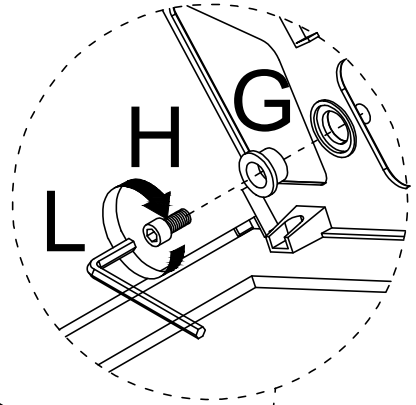
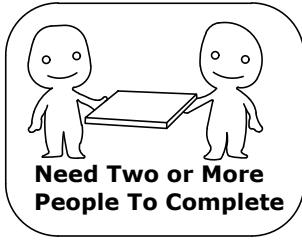
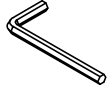


x3

G x6

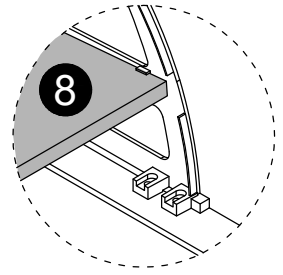
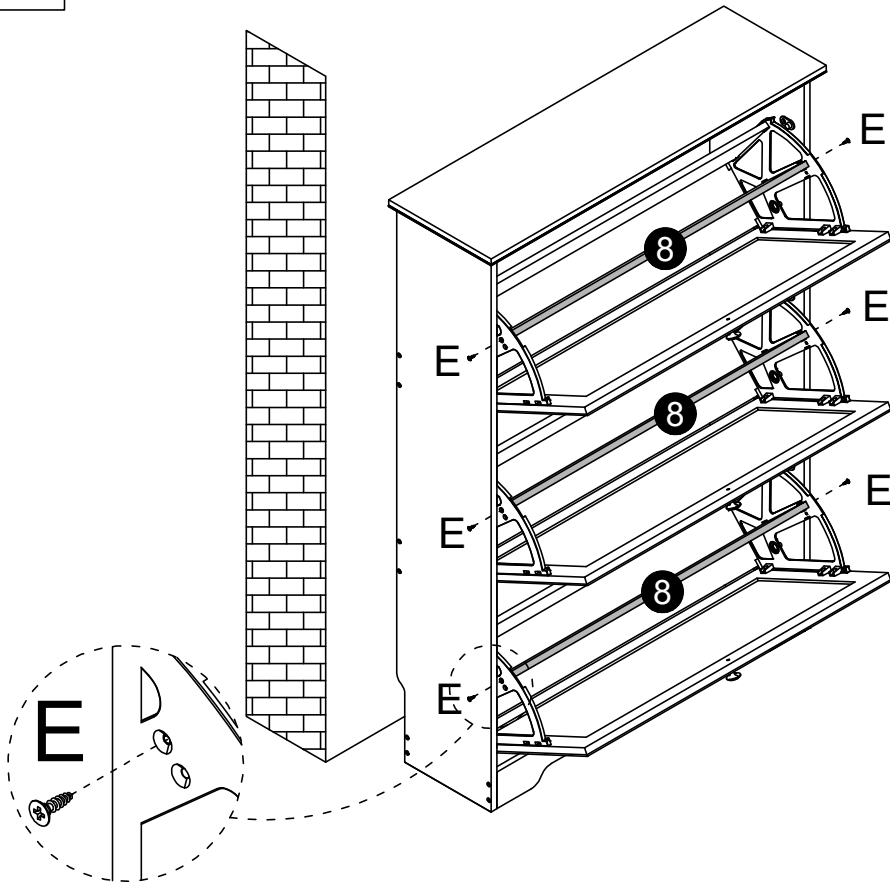
H x6

L x1

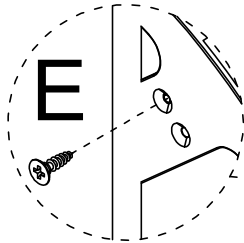
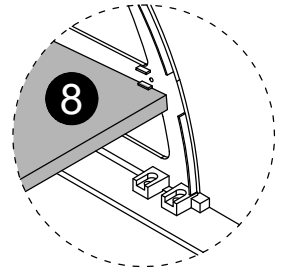


When installing H, it is sufficient to reach 90% progress. Installing 100% may cause damage to G.

E x6



OR



O x16

