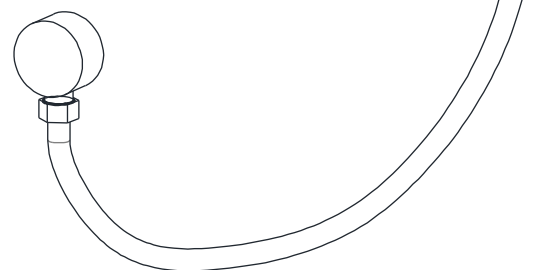
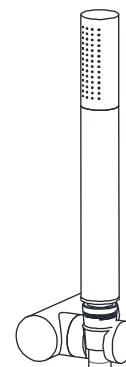
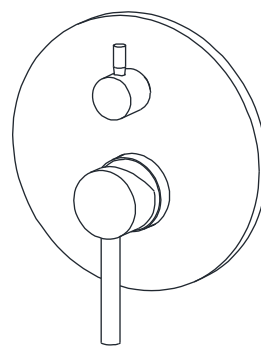
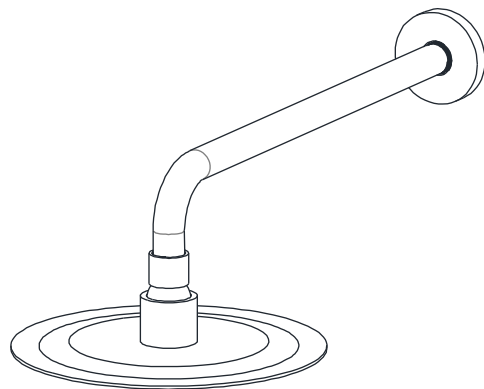


INSTALLATION GUIDE



WALL MOUNT SHOWER SYSTEM

MODEL	FINISH
S3224IB-CH	CHROME
S3224IB-BN	BRUSHED NICKEL
S3224IB-BG	BRUSHED GOLD
S3224IB-MB	MATTE BLACK
S3224IB-MG	MATTE BLACK & BRUSHED GOLD

HOT LINE: +1-866-203-0866

THANK YOU

Dear Valued Customer,

Thank you for choosing SUMERAIN products. We would like to take this opportunity to express our sincere gratitude for your recent purchase. We hope you are completely satisfied with your new product. Rest assured, we meticulously engineer all SUMERAIN products and put them through rigorous factory tests to ensure their prolonged, trouble-free use under normal conditions.

Installing this product is as simple as it gets. All you need are some basic tools and our handy step-by-step illustrated guide. We wholeheartedly welcome any questions or feedback you may have. We eagerly anticipate the opportunity to assist you in the future. If you have any inquiries regarding this product, please do not hesitate to contact us at +1-866-203-0866 or email us at [support@sumerain.com](mailto:supports@sumerain.com).

Once again, we extend our gratitude for selecting SUMERAIN products. We remain committed to providing exceptional customer service.

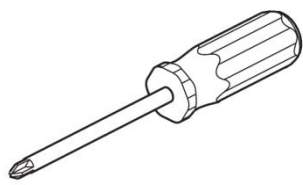
Sincerely,

SUMERAIN Customer Service Department

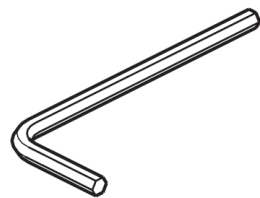
BEFORE PROCEEDING

1. Unpack your new product and verify that all components are present in the package. Until you're ready to install, it's best to keep the product in its original box.
2. Identify the water supply inlets and turn off the water supply valves. You'll typically find these valves near the water meter. If you're replacing an existing unit, make sure to remove the old one and clean the mounting surface thoroughly.
3. Adhere to all plumbing and building codes applicable in your area.
4. If you're not confident about installing the product yourself, we strongly recommend seeking help from a professional.

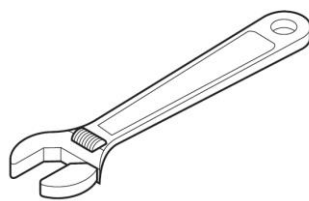
TOOLS RECOMMENDED



Philips screwdriver



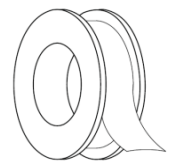
Allen wrench



Adjustable wrench



Channel locks



Teflon tape

LIMITED LIFETIME CONSUMER WARRANTY

VERSION:140320.15.3

This product has been manufactured and tested to the highest quality standards by HONGKONG SUMERAIN SANITARY INDUSTRY Co., Limited ("SUMERAIN"). This warranty applies solely to SUMERAIN products purchased by consumers in the United States after January 1st, 2020. In the event of a faucet experiencing leaks or drips during regular usage, SUMERAIN will provide the necessary faucet cartridge to the purchaser, free of charge, in order to restore the faucet to proper working condition. If any defects are identified during normal residential use, SUMERAIN will, at its discretion, perform repairs, provide replacement parts or products, or make appropriate adjustments to ensure the product's optimal functionality.

WHO IS COVERED BY THE WARRANTY

This warranty provides exclusive coverage to the original consumer purchaser, including those who have made purchases through online retail platforms. However, online retail customers who are specifically covered by the "Online CONSUMER Limited Lifetime WARRANTY & Return policy" are also included. Please note that this warranty is non-transferable and cannot be assigned to any other party.

WHAT IS COVERED BY THE WARRANTY

This warranty is applicable only to the SUMERAIN manufactured product that you have purchased. SUMERAIN provides the following warranty against defects in material or workmanship: under normal installation, use, service, and maintenance, if the product or any of its components prove to be defective due to improper workmanship or materials, SUMERAIN will, at its discretion, provide free replacement parts or replace the entire product.

FINISH WARRANTY

Customers are responsible for thoroughly inspecting the product for any material or finish defects within three days of receiving it. Please note that SUMERAIN does not cover surface finish defects under warranty once the fixture has been installed.

ELECTRONIC FAUCETS WARRANTY

SUMERAIN guarantees its LED components, including electronic faucets, valves, controllers, and battery-powered devices, against material and manufacturing defects for one year from the date of purchase, under normal use. The water flow impeller power device (LED faucet power generation device) is guaranteed to be free from manufacturing defects for the first three months from the date of purchase.

LENGTH OF WARRANTY

As stated in the following, any replacement or repaired parts of the product will be covered for the duration of this warranty, which SUMERAIN provides for a period of 1 year from the original date of purchase.

CIRCUMSTANCES THAT SUMERAIN WILL NOT WARRANT AND PAY FOR:

- A. Conditions, malfunctions, or damage that do not result from defects in material or workmanship.
- B. Conditions, malfunctions, or damage resulting from normal wear and tear, improper installation, improper maintenance, misuse, abuse, negligence, accidents, alterations, or the use of abrasive or caustic cleaning agents, "no-rinse" cleaning products, or the product in a manner contrary to the provided instructions. This includes home conditions such as excessive water pressure or corrosion.
- C. Labor or other expenses associated with disconnection, deinstallation, or return of the product for warranty service, as well as installation or reinstallation of the product.
- D. Accessories, connected materials, and products (including but not limited to hand shower flexible hose, spray flexible hose, hand shower, shower head), or related products that are not manufactured by SUMERAIN.

TO OBTAIN WARRANTY PARTS OR INFORMATION

To obtain warranty parts or information professionally, please follow the steps below:

Contact your SUMERAIN retailer or dial the technical service phone number at +1-866-203-0866, or send an email to supports@sumerain.com.

When applying for warranty service, you will need to provide the following information:

- a. Sales receipt or other evidence of purchase date and platform.
- b. Detailed description of the problem.
- c. Ship the product or defective parts to the designated Sumerain warehouse in the United States with prepaid postage. Please ensure careful packaging and insurance of the items. Once the warranty service is completed, any repaired or replaced products or parts will be shipped back to you with prepaid postage.

If you have any further questions or need additional assistance, please contact the provided contact information.

EXCLUSIONS & LIMITATIONS

Pursuant to the terms of this warranty, repair, replacement (or, in limited circumstances, refund of the purchase price) shall be the sole remedy available to the purchaser. SUMERAIN assumes no obligations or liabilities and does not authorize any individual to create obligations or liabilities in relation to this product. SUMERAIN shall not be held liable to the purchaser or any party for any incidental, special, or consequential damages resulting from a breach of this warranty or any implied warranties (including merchantability). Please note that certain states do not allow the exclusion or limitation of incidental or consequential damages, therefore the aforementioned limitation or exclusion may not apply to you. This warranty grants you specific legal rights, and you may also have additional rights that vary from state to state. Before initiating any legal proceedings against us under the Magnuson-Moss Warranty Act, you may be legally required to provide us with a reasonable opportunity to rectify or resolve any non-compliance.

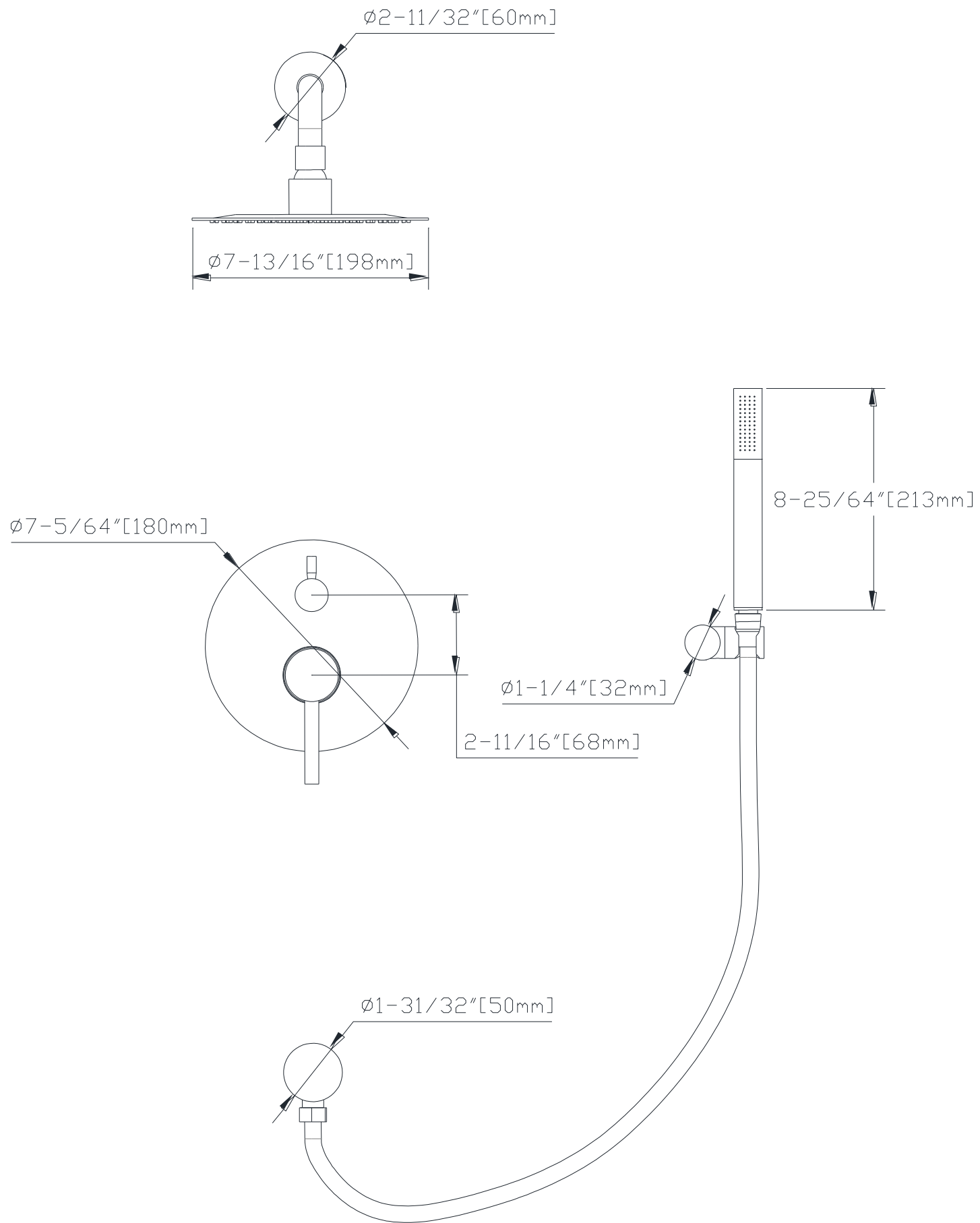
PRODUCT INSTRUCTIONS & QUESTIONS

Prior to installation, we strongly recommend conducting a meticulous inspection of your SUMERAIN product to identify any potential damage or visible defects. It is crucial to thoroughly review the accompanying instructions regarding the correct installation, maintenance, and care procedures for the product. Should you have any inquiries regarding the utilization, installation, performance, or this warranty of your SUMERAIN product, please don't hesitate to reach out to us at +1-866-2030-866 or via email at supports@sumerain.com. Our dedicated team is readily available to provide professional assistance and address any concerns you may have.

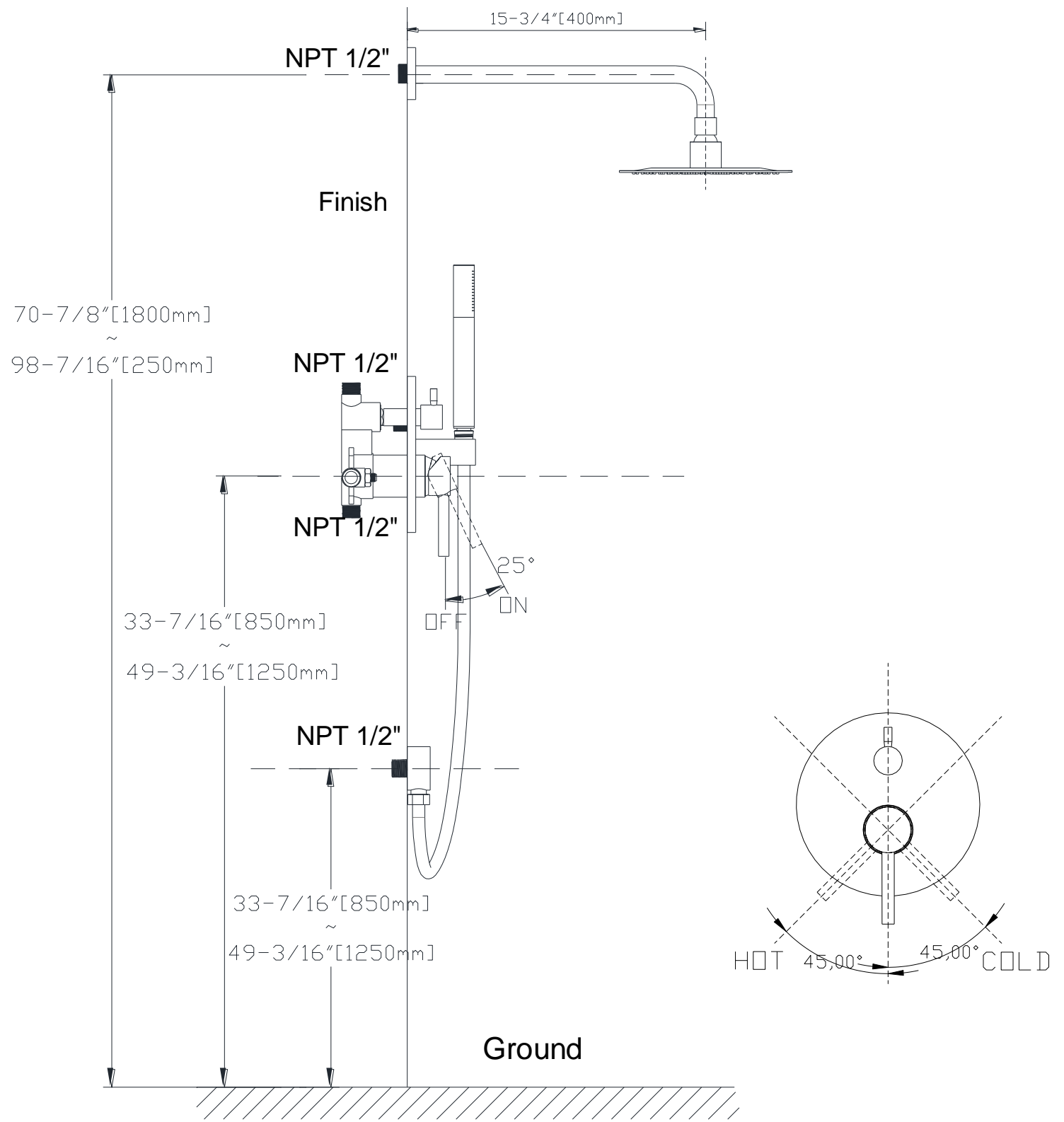
FUNCTIONS & SPECIFICATIONS

Faucet Type	Shower System
Feature	Concealed Shower Faucet
Theme	Modern, Contemporary
Mounting Type	Wall Mount
Finish	Chrome, Brushed Nickel, Matte Black, Brushed Gold, Matte Black & Brushed Gold
Number Of Handles	One
Handles Material	Metal
Handle Style	Lever
Shower Arm Reach	15-3/4Inch [400mm]
Showerhead Width	7-13/16 Inch [198mm]
Showerhead Length	7-13/16 Inch [198mm]
Valve Type	Pressure Balance Cartridge
Faucet Body Material	Brass
Escutcheon Material	Brass
Diverter Included	Yes
Diverter Location	Rough-in Valve
Showerhead Type	Rain Shower
Showerhead Shape	Ultra-thin Circle
Showerhead function	Single Function
Showerhead Material	SUS304 Stainless Steel
Showerhead Flow Rate	1.8 GPM [6.81L/M]
Hand shower Flow Rate	1.2 GPM [4.54L/M]
Elbow Material	Brass
Hand Shower Holder Material	Brass
Hand Shower Material	Brass
Hand shower Height	8-25/64 Inch [213mm]
Hand shower Width	15/16 Inch [24mm]
Net Weight	7.23lbs [3.28KG]
Gross Weight	9.19 lbs [4.17KG]
Packing box [L x W x H]	19-11/16"[500mm]x13-19/32"[345mm]x5-5/16"[135mm]

DIMENSION



FRONT VIEW OF SHOWER



SIDE VIEW OF SHOWER

INSTALLATION STEPS

1. BEFORE PROCEEDING



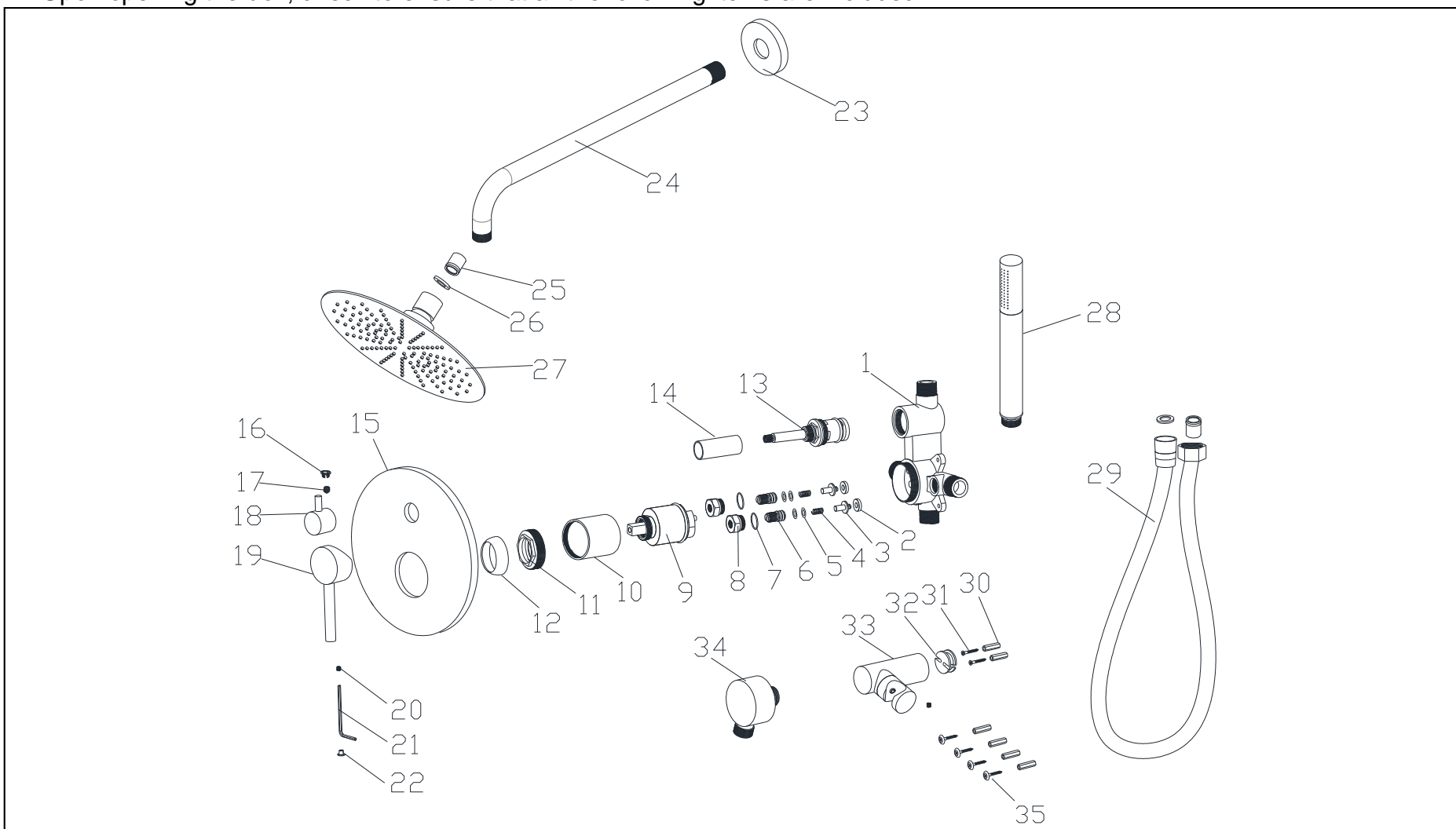
WARNING: Before proceeding with any operation, please read all instructions thoroughly. If you are uncertain about installing this product, please consult a professional! This product should be installed in accordance with all local and state plumbing and building codes. It is recommended to seek professional assistance.

2. SHUT OFF WATER SUPPLY

Locate the water supply inlets and shut off the corresponding water supply valves, typically found near the water meter. If replacing an existing unit, remove the old unit and thoroughly clean the mounting surface.

3. CHECKING THE CONTENTS OF THE BOX

Upon opening the box, check to ensure that all the following items are included.



NO	ITEM NAME	MATERIAL	QTY	PART NO.	NO	ITEM NAME	MATERIAL	QTY	PART NO.
1	Rough-in Valve	HPB59-1	1	PVB32260PB	19	Handle(lever)	Zn Alloy No.3	1	PHD00003XX
2	Rubber Washer	NBR	2	PRW13528XX	20	Set Screw	SUS304	2	PSC05050XX
3	Check Valve	HPB59-1	2	PSA32100XX	21	Allen Wrench 2.5mm	Fe45#	1	PSA00003XX
4	Check Valve Spring	SUS304	2	PSA32101XX	22	Screw Cover	ABS	1	PSA00002XX
5	O-Ring	NBR	4	POR11020XX	23	Shower Arm Flange	SUS304	1	PFC00001XX
6	Check Valve Screw	HPB59-1	2	PSC32100XX	24	Shower Arm	SUS304	1	PPI32260XX
7	O-Ring	NBR	2	POR16020XX	25	Check Valve	ASSEMBLE	2	PAE00020XX
8	Bonnet Nut	HPB59-1	2	PNT32100XX	26	Flow Restrictor	NBR	2	PRW19020XX
9	Pressure Balance Cartridge	ASSEMBLE	1	PCT40009XX	27	Shower Head	ASSEMBLE	1	PTR00002XX
10	Sleeve	HPB59-1	1	PSL32261XX	28	Hand Shower	ASSEMBLE	1	PAE00021XX
11	Bonnet Nut	HPB59-1	1	PSC42125XX	29	Shower Hose	ASSEMBLE	1	PFH00010XX
12	Bonnet Cap	HPB59-1	1	PFC42125XX	30	Anchor	ABS	6	PSA00010XX
13	Diverter Cartridge	ASSEMBLE	1	PCT00001XX	31	Mounting Screw	SUS304	2	PSC00004XX
14	Diverter Sleeve	HPB59-1	1	PSL32181XX	32	Shower Holder Dock	HPB59-1	1	PEC32230XX
15	Escutcheon	SUS201	1	PCP32300XX	33	Hand Shower Holder	ASSEMBLE	1	PHH32231XX
16	Red/Blue Button	POM	1	PSA00004XX	34	Wall Supply Elbow	ASSEMBLE	1	PHH32230XX
17	Set Screw	SUS304	1	PSC05051XX	35	Mounting Screw	SUS304	4	PSC00002XX
18	Diverter Knob	Zn Alloy No.3	1	PHD00004XX					

If any of these items are missing, please contact SUMERAIN consumer service by email to: supports@sumerain.com.

4. PLANNING AND INSTALLATION INSTRUCTIONS



Attentions: The shower has to be installed, rinsed and checked in compliance with the applicable regulations in order to guarantee proper shower function!

The dimensions of the shower set-up must be individually.

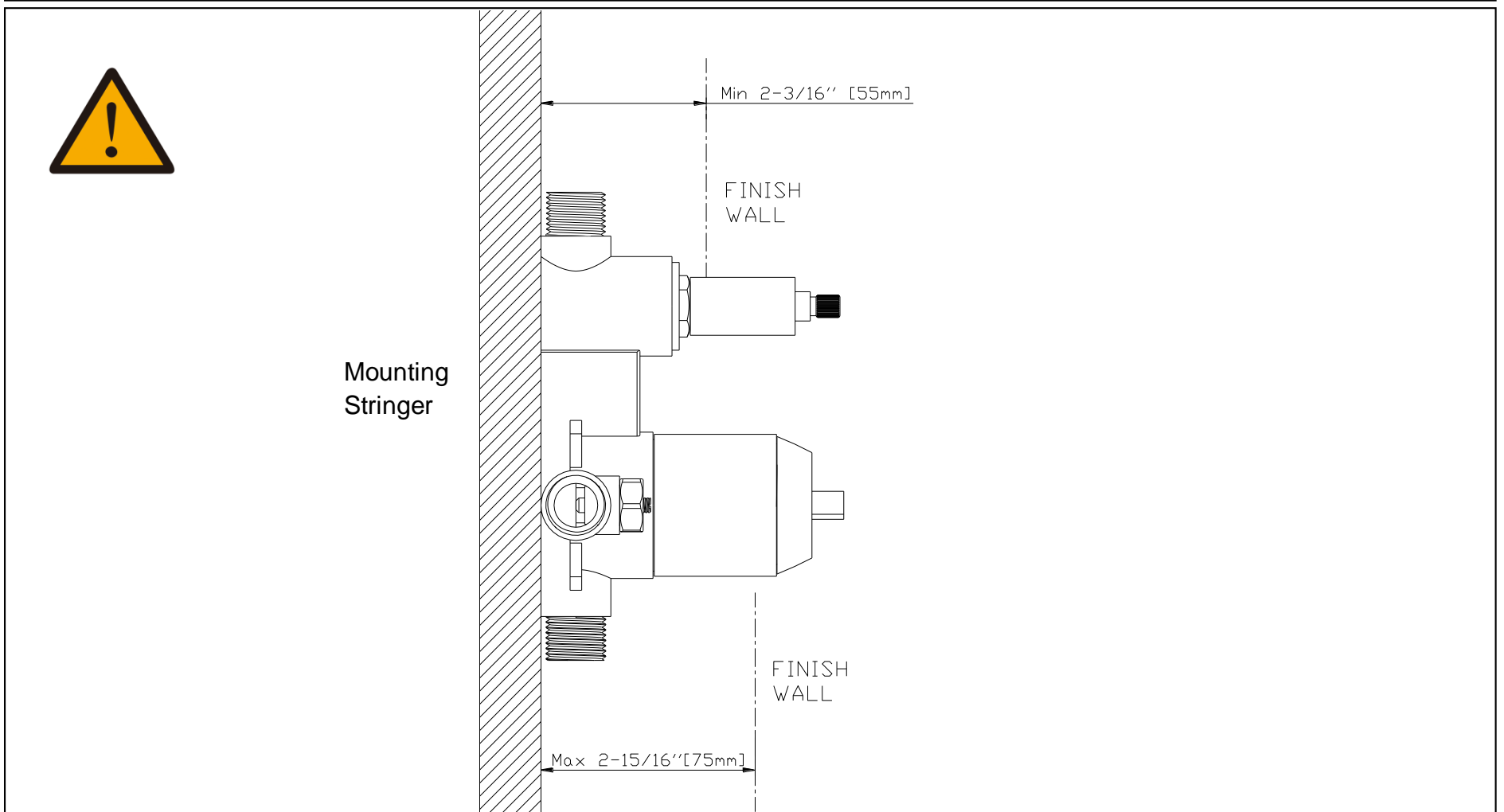
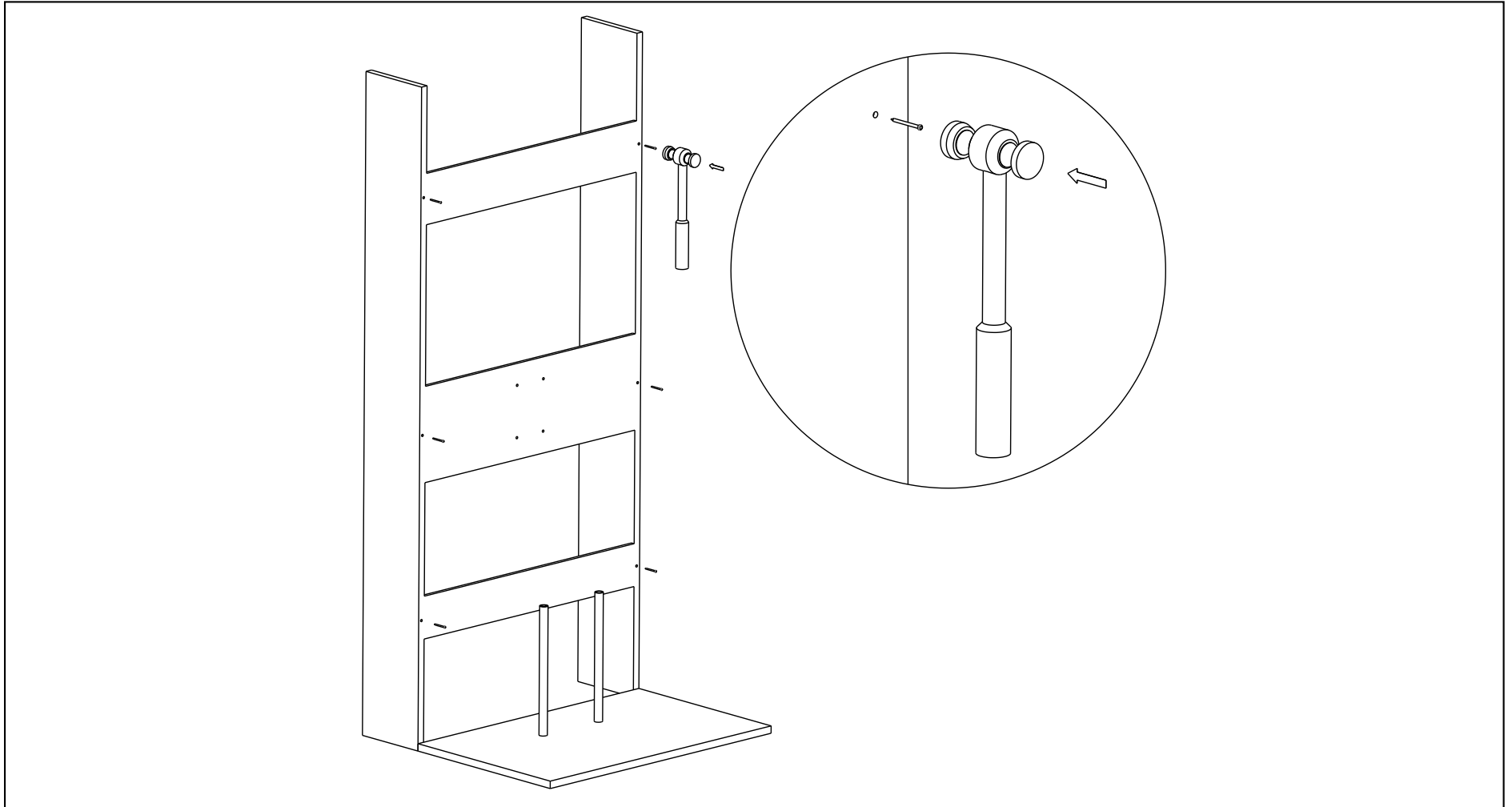
Operating pressure at the control valve:

Max. 145PSI [1Mpa]. Recommended operating pressure: 43.5PSI [0.3Mpa].

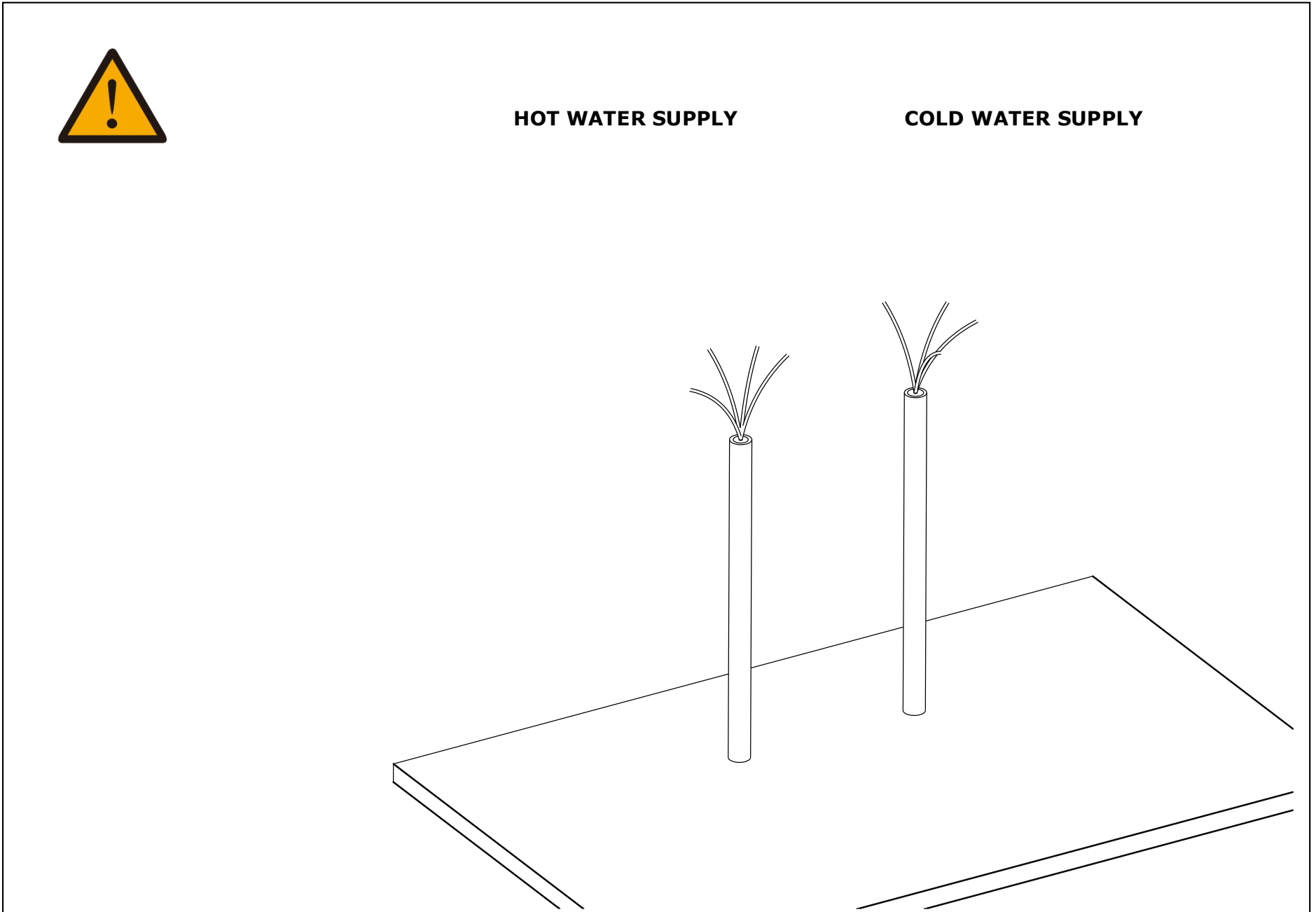
Hot water temperature: Max 60 degree centigrade (140 Fahrenheit).

5. Rough-in Valve Installation

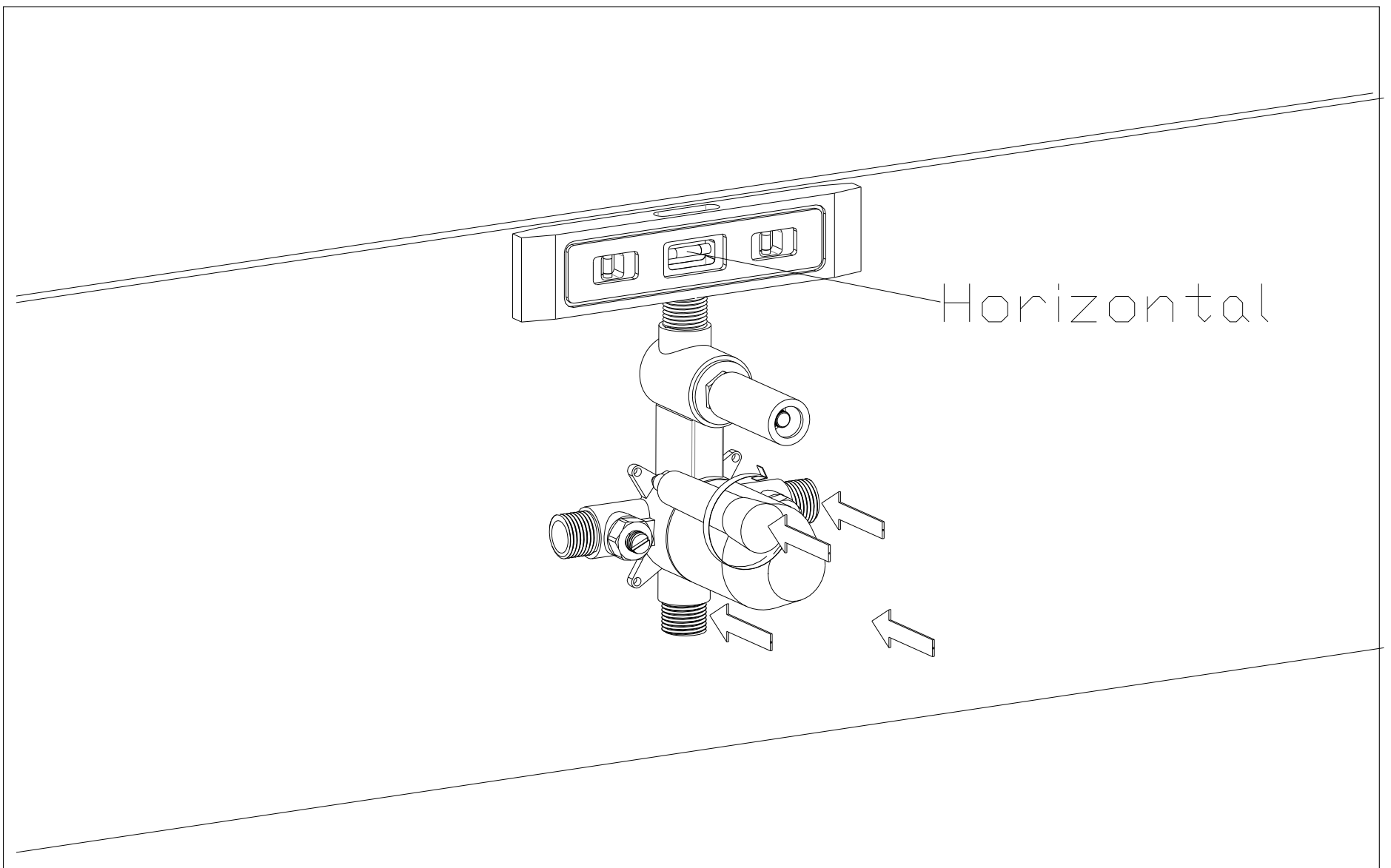
5.1 Make a mounting rack (normally use wood as material) for preparing install the rough-in valve assembly. The face of the mounting board should be positioned a minimum of 2-3/16" [55mm] to a maximum of 2-15/16" [75mm] behind the finish wall surface.



5.2 Turn on your shut-off valve for cleaning the hot and cold water supply pipe before connect to the valve body, allow the water flush 3~5 minutes to flush out dirt and debris. Shut off the water supply again after finish.



5.3 Locate and level the valve assembly with air level. Mark the mounting hole of rough-in valve on mounting rack.

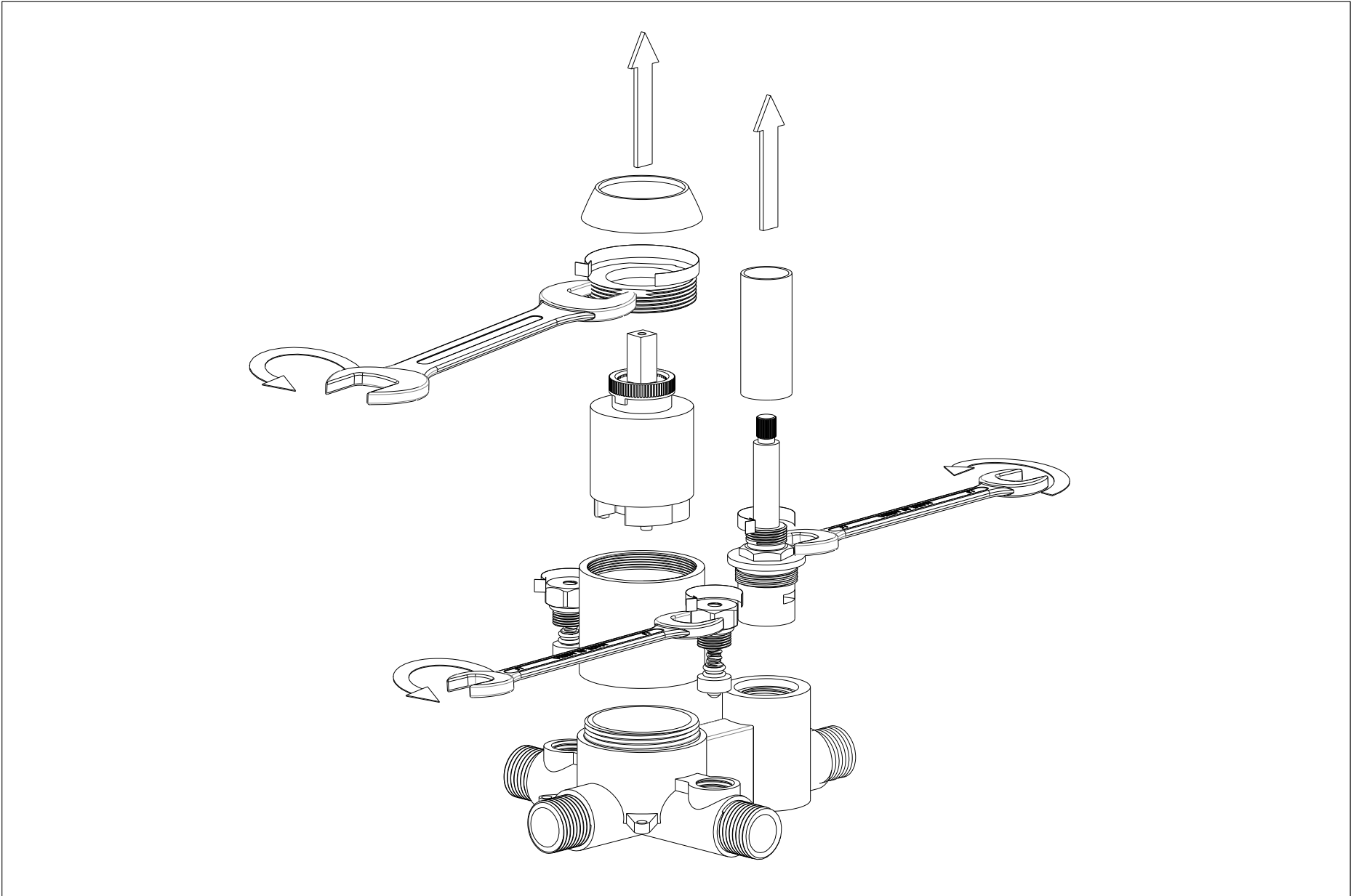


5.4 Connect the valve body to the water supply system using the appropriate fittings for your valve type (copper, iron, or PEX).

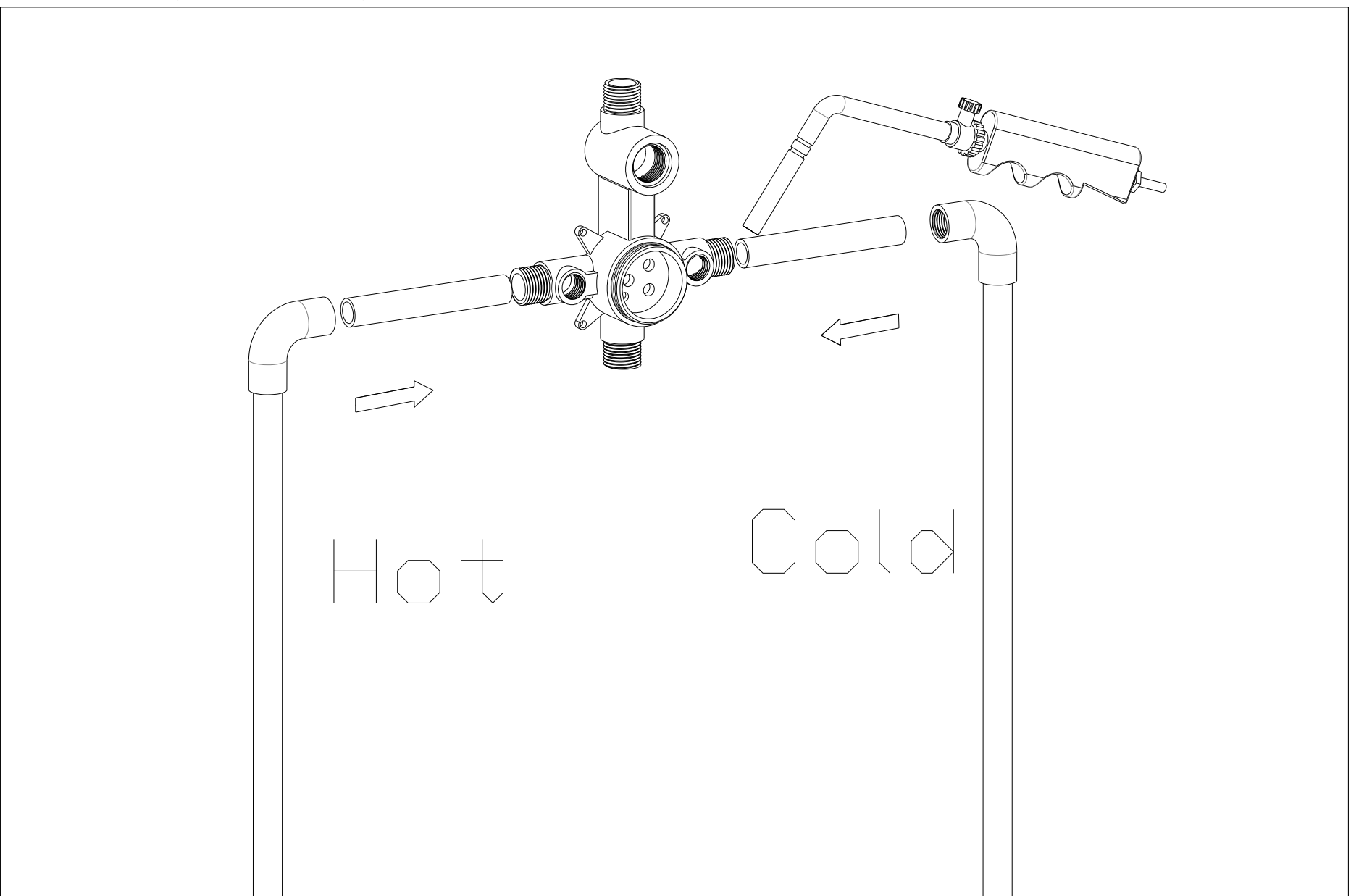
Note: For PEX, be sure to use the correct crimp fittings and proper cold expansion tool.

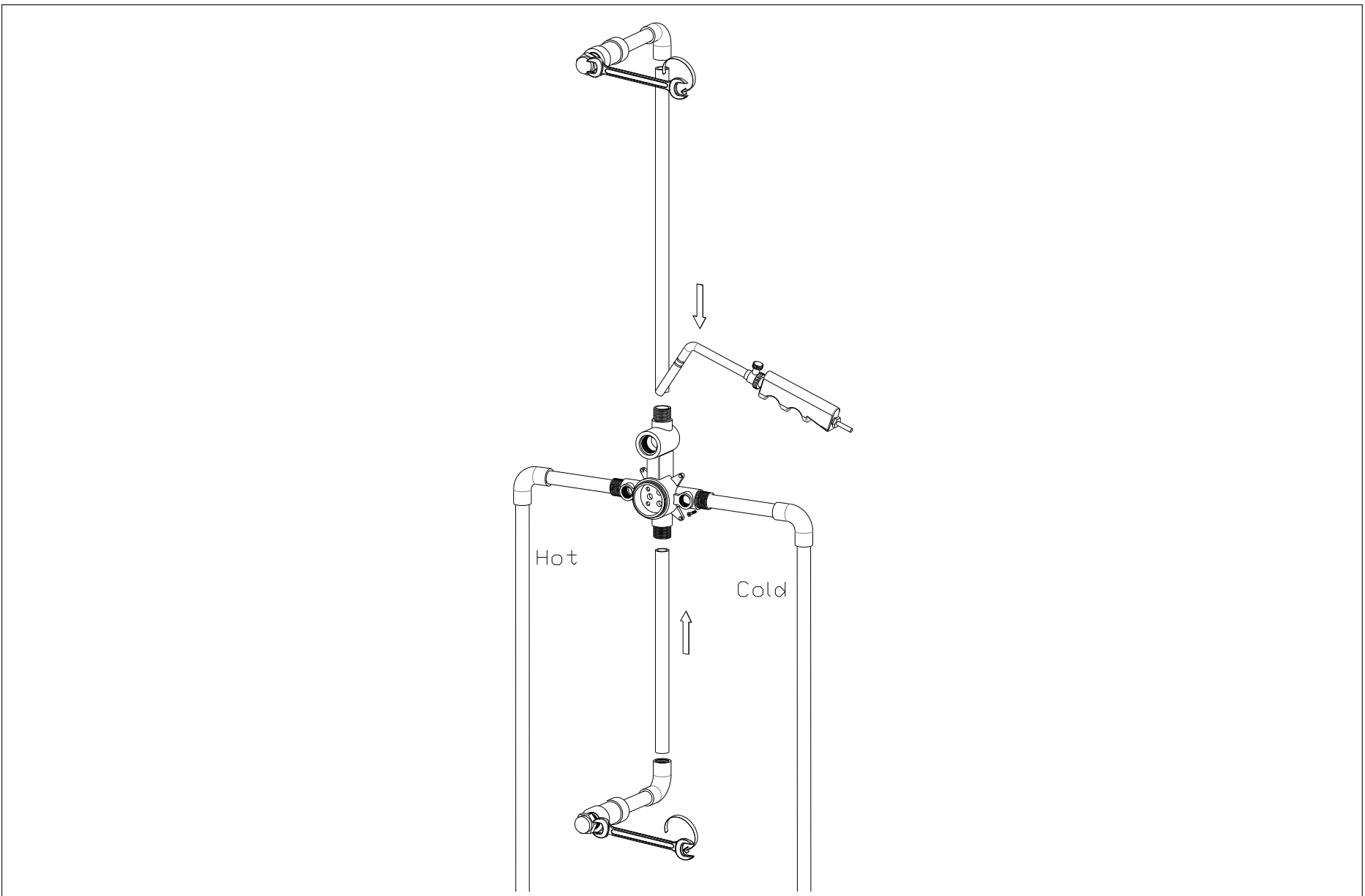
We take copper tubing as example:

5.4.1(a) Remove the cartridge and check-in valve and pressure reducing valve from valve body before soldering.

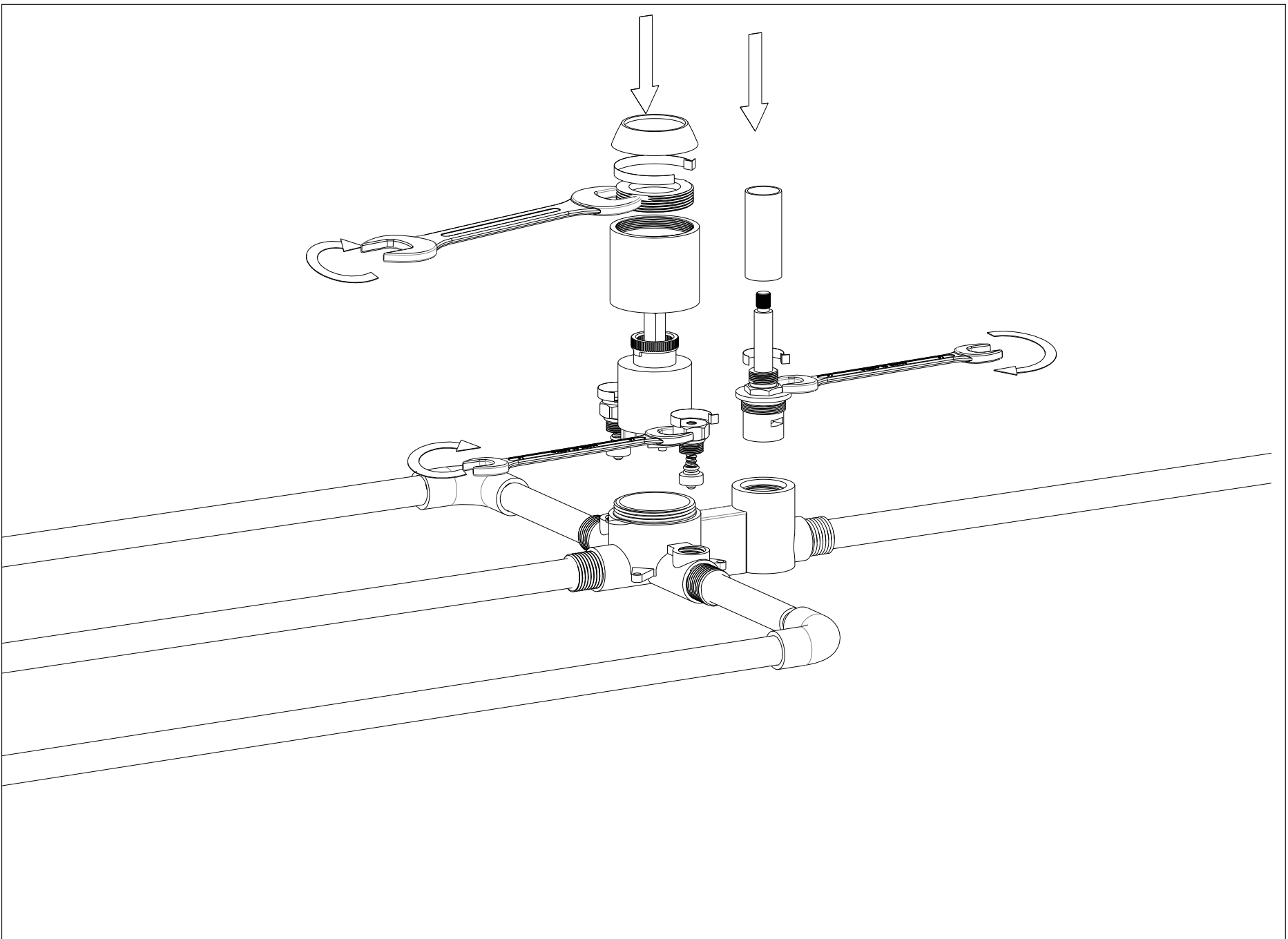


5.4.2(a) Soldering the copper tubing to the valve body's hot water and cold water inlets and the top shower outlet.

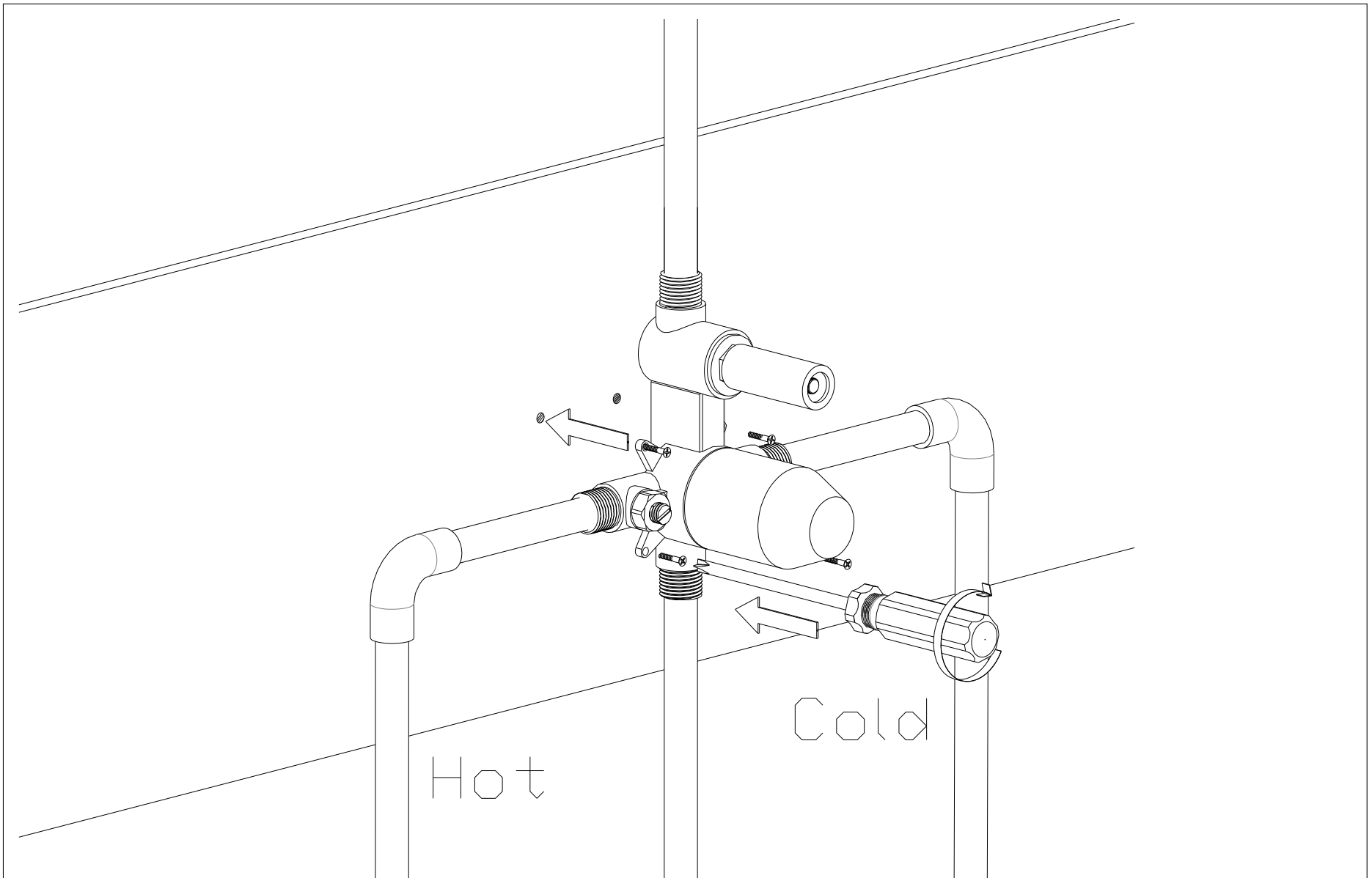




5.4.3(a) Reassemble the rough-in valve.



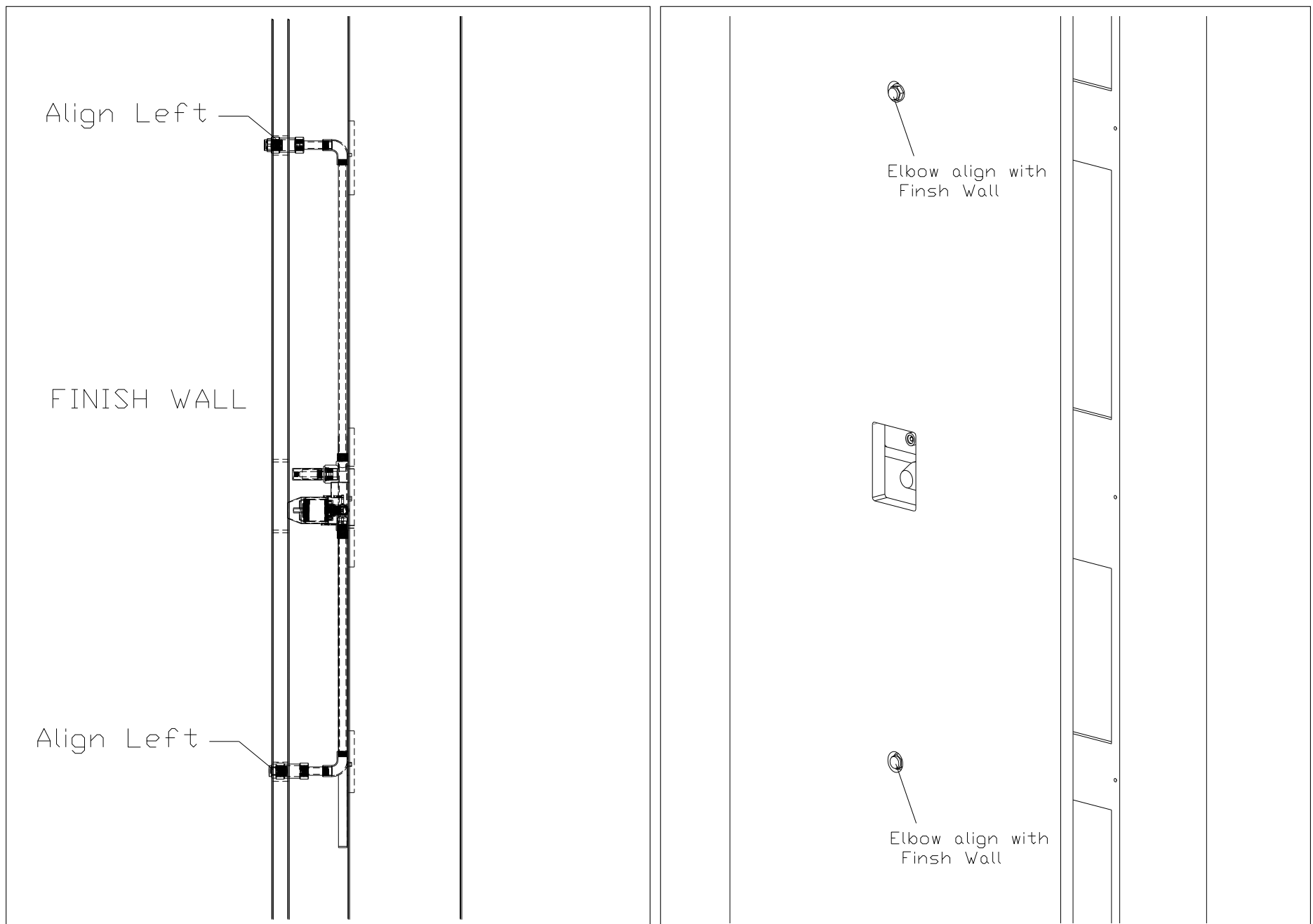
5.4.4 Locate and level the valve assembly and secure to the mounting bracket with screws and anchors.



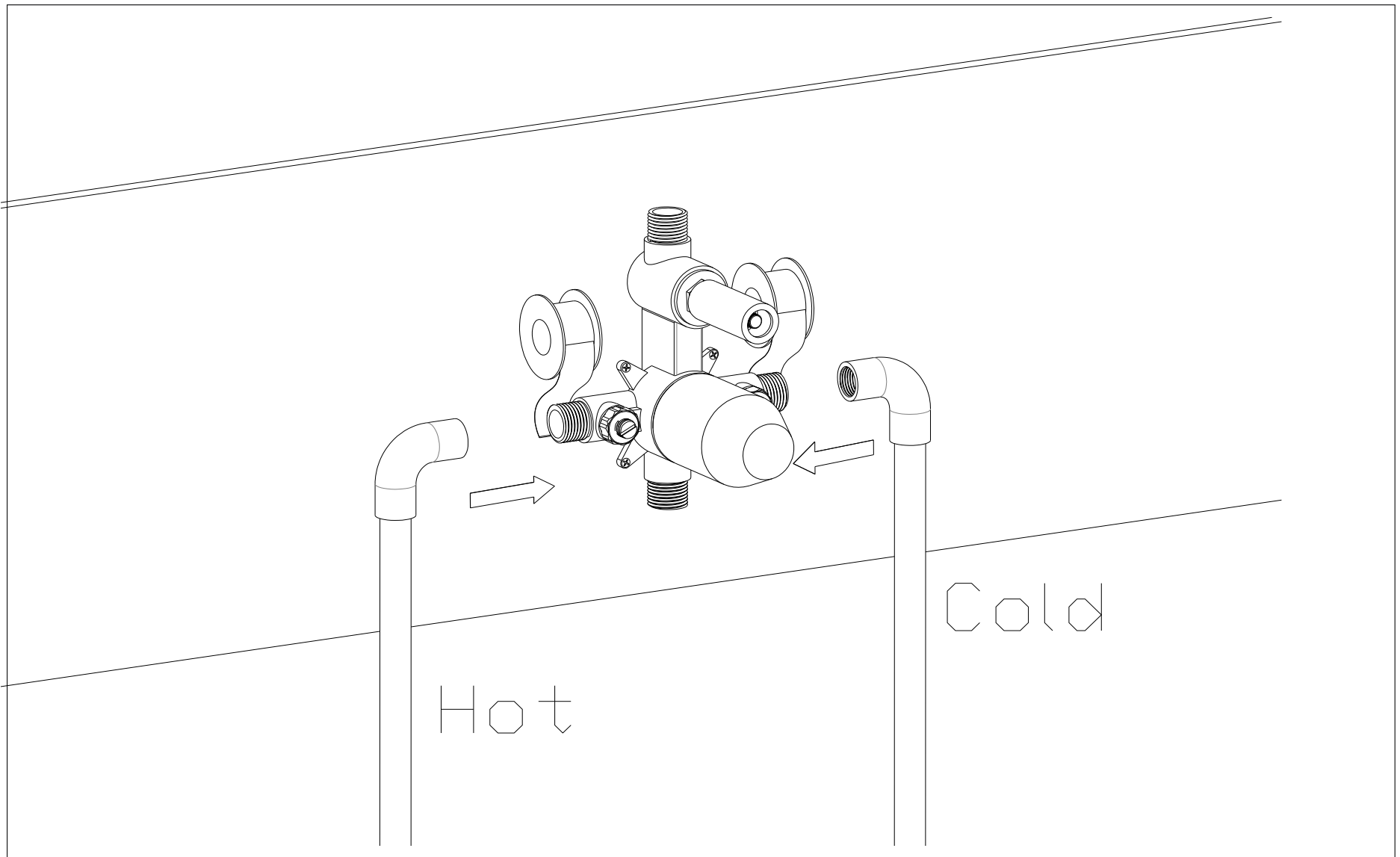
Please align the elbow front face with the finish wall.



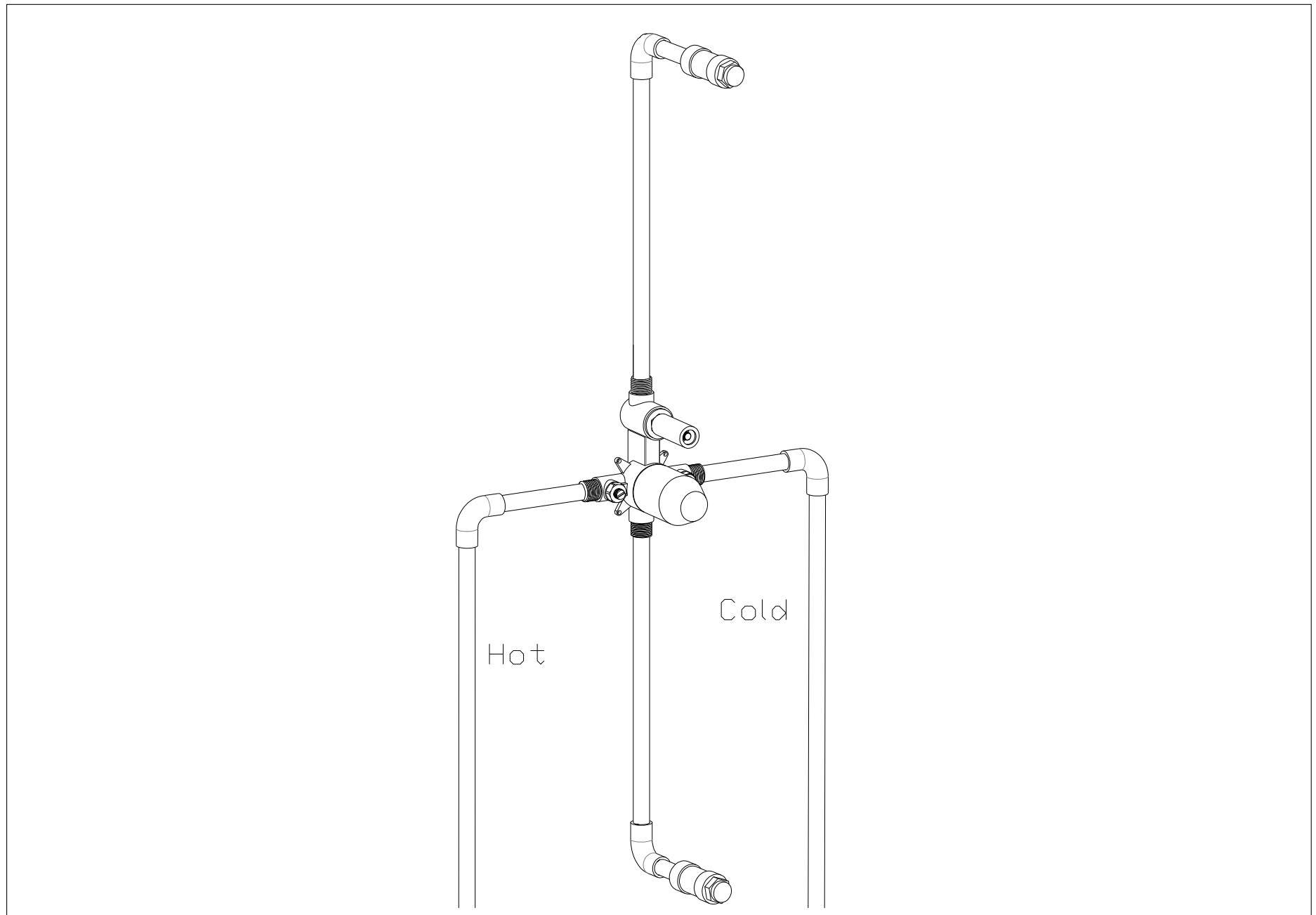
Improper elbow installation depth will lead to leak from connector or has to customize extension parts with extra expense.



5.4.5 Please skip steps 5.4.1(a) to 5.4.4(a) if connect with PEX fittings or PVC fittings. The valve doesn't need to be disassembled. Apply Teflon tape to the threads of valve body and connect to supply pipes and shower pipe with PEX fittings. [Left for hot water, right for cold water].

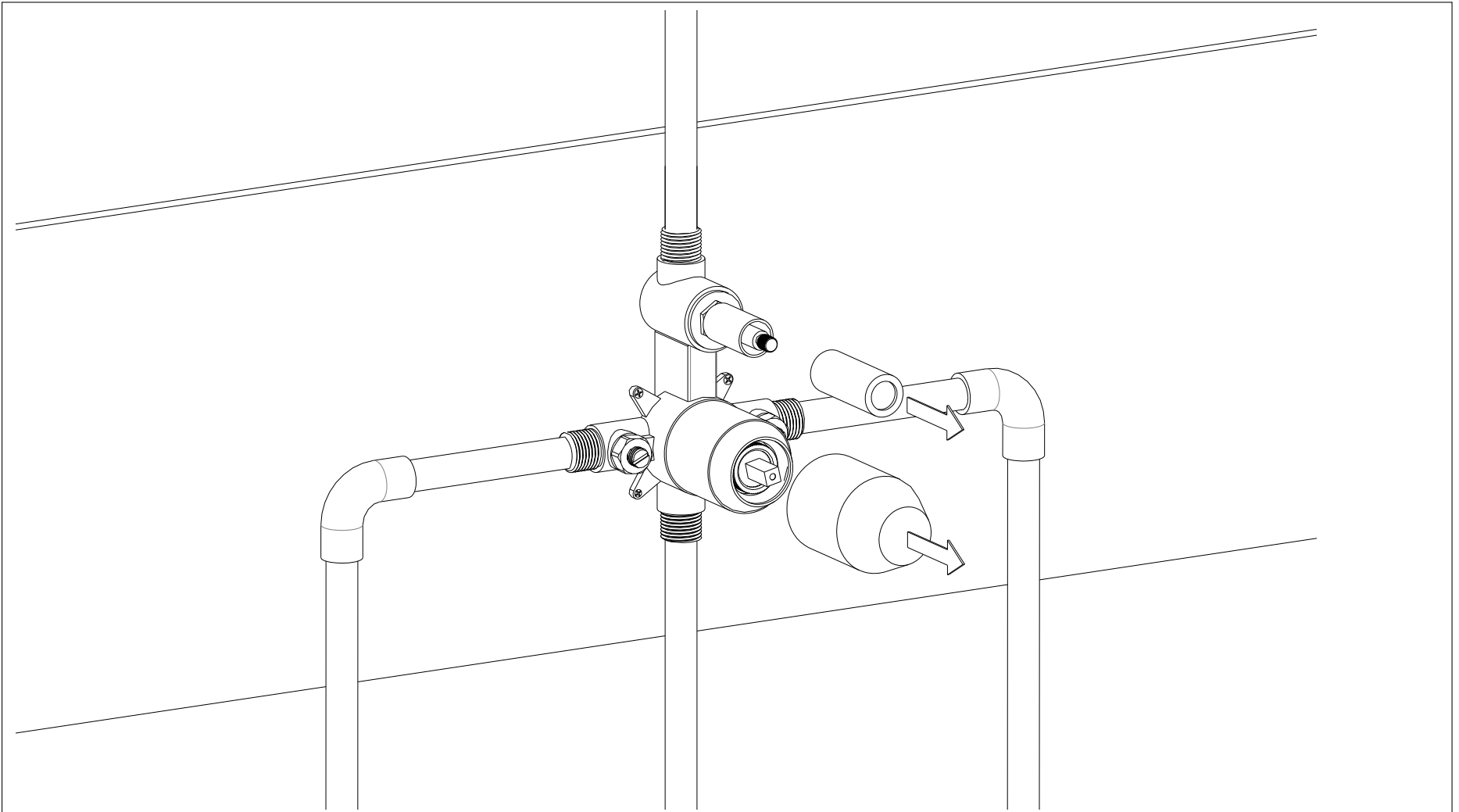


5.4.6 Rough-in valve installation finished.



6. VALVE TRIM INSTALLATION

6.1 Remove the plaster guard covers and check all connection for leaks.



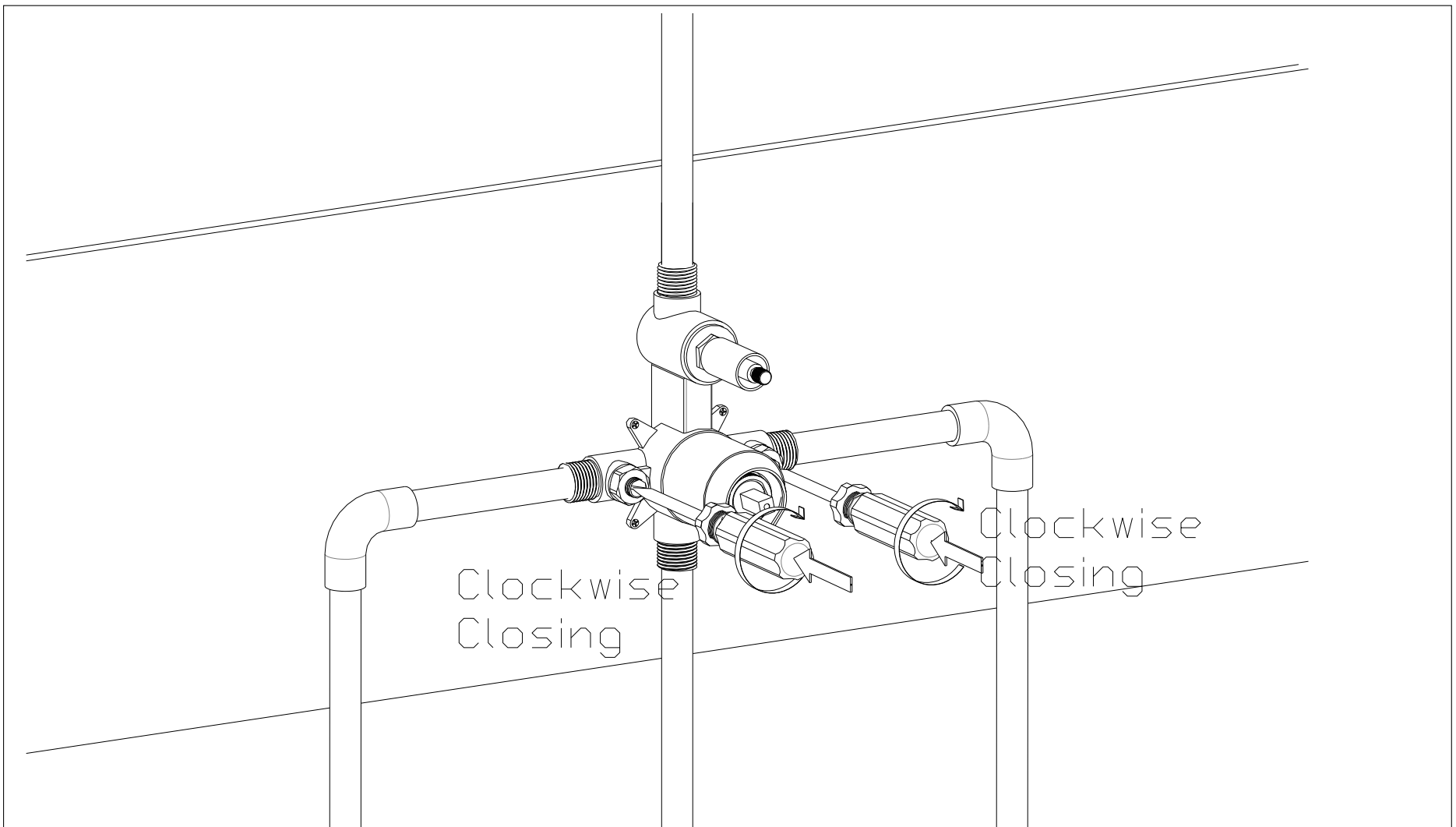
6.2 Pressure testing & flushing the installation.

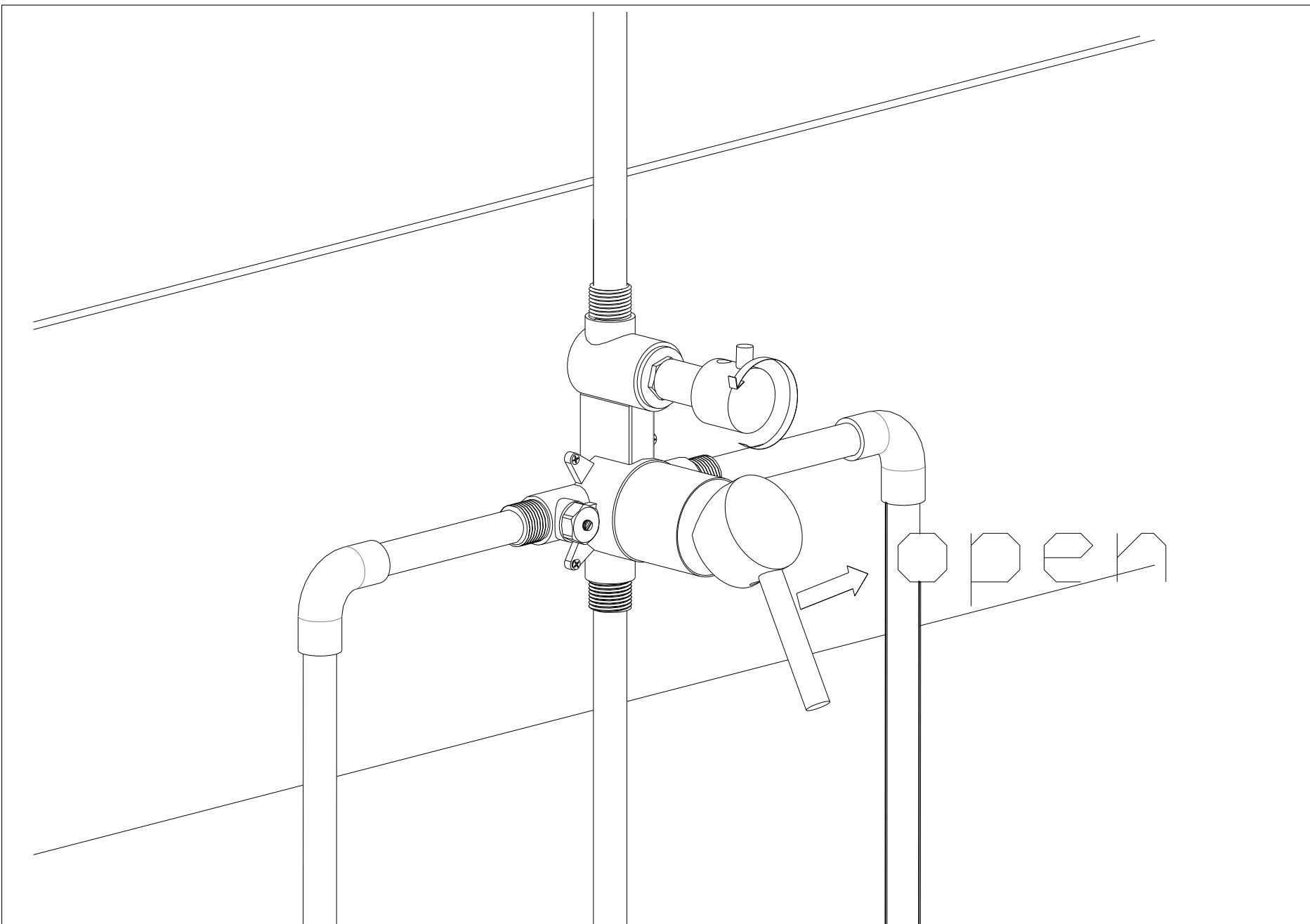
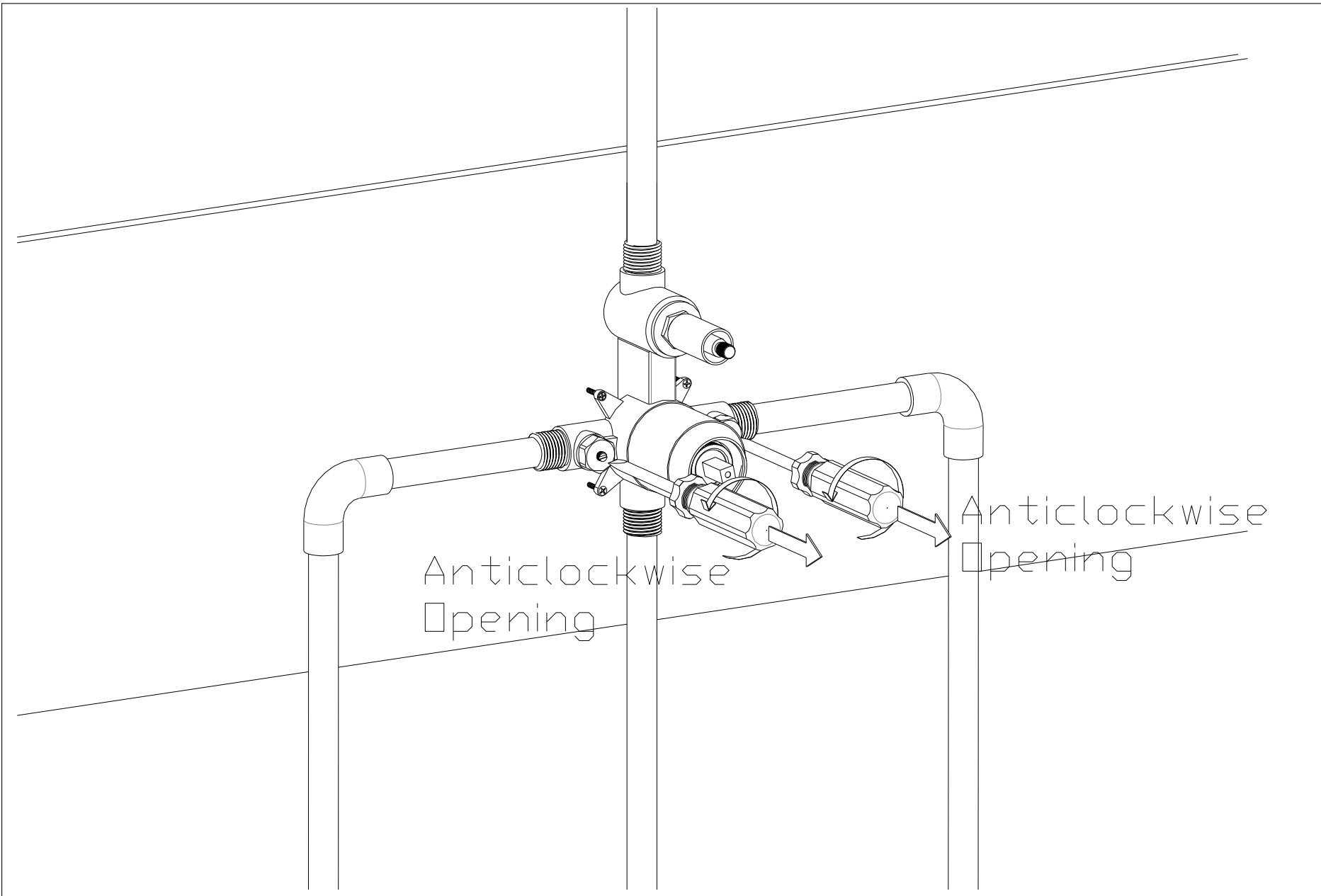
Use appropriate fittings to plug the outlets and check for leaks. After testing, remove the shower plug and flush the system again. Reinstall the plaster guard covers after flushing. Set the check valve to full open.

Note: Use a flathead screwdriver to adjust the stem clockwise to close and anticlockwise to open.

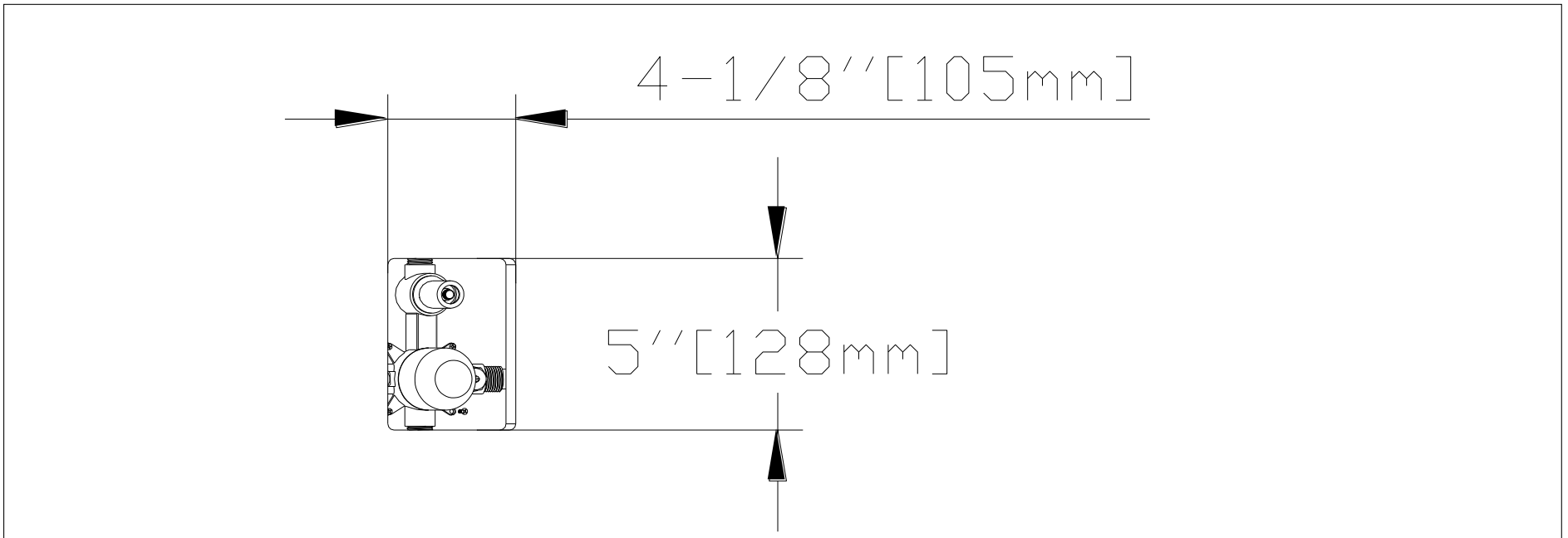


Please shut off your hot and cold water supply after test.

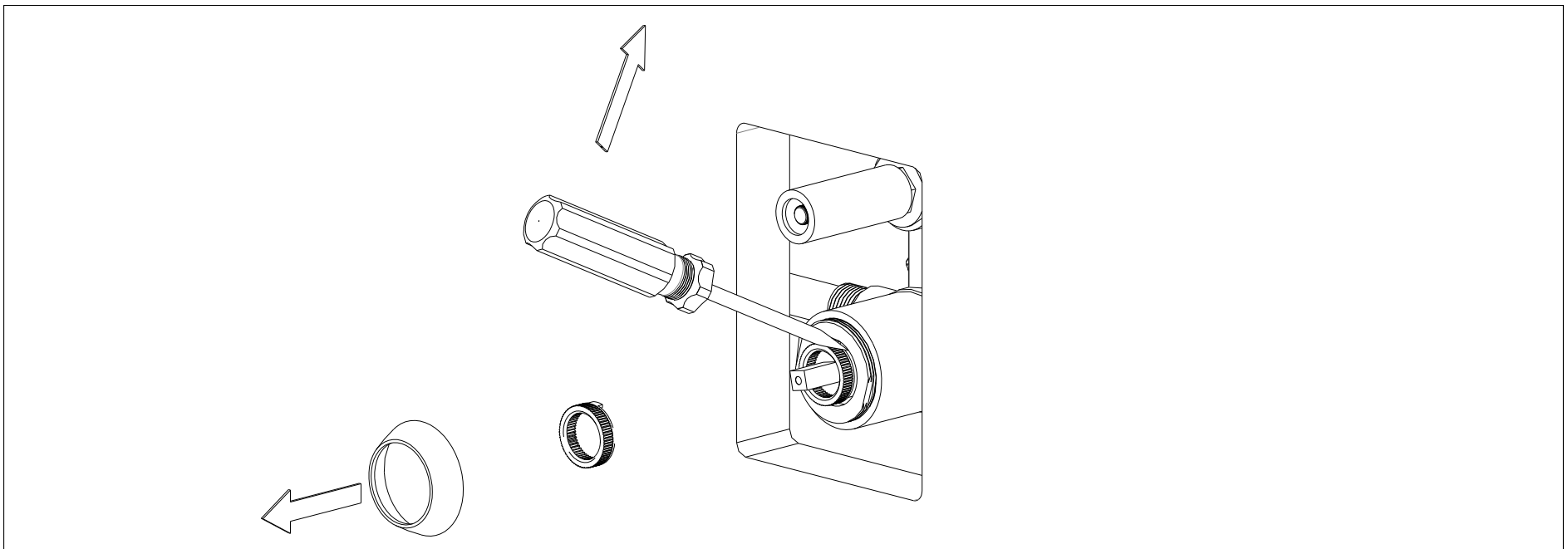




6.3 Done the finish wall and drill proper window for maintain if needs in the future.



6.4 Take off the bonnet cap, bonnet nut and the temperature limit ring from the valve assembly.



6.5 Turn on and adjust the cartridge to achieve the desired shower water maximum temperature.

Anti-scald protection: It is important to regularly test the mixing valve to prevent scalding risks and ensure user safety. This can be done as follows: Set the mixing temperature of the mixing valve to 38°C , isolating the cold water supply. The flow rate at the outlet will be reduced to a safe level.

Recommended Outlet Temperatures.

We recommend the following set maximum mixed water outlet temperatures for use in all premises:

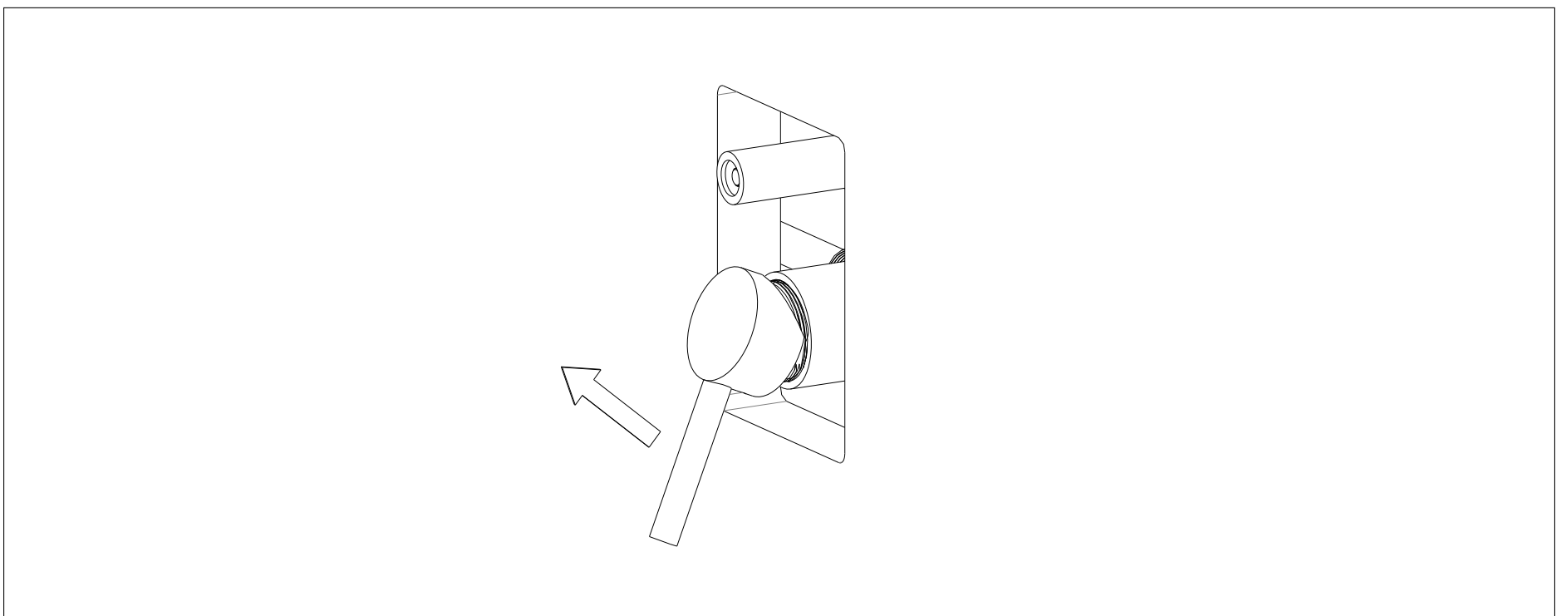
$111.2^{\circ}\text{F} [44^{\circ}\text{C}]$ - for filling bathtubs, but see the note below.

$105.8^{\circ}\text{F} [41^{\circ}\text{C}]$ - for showers.

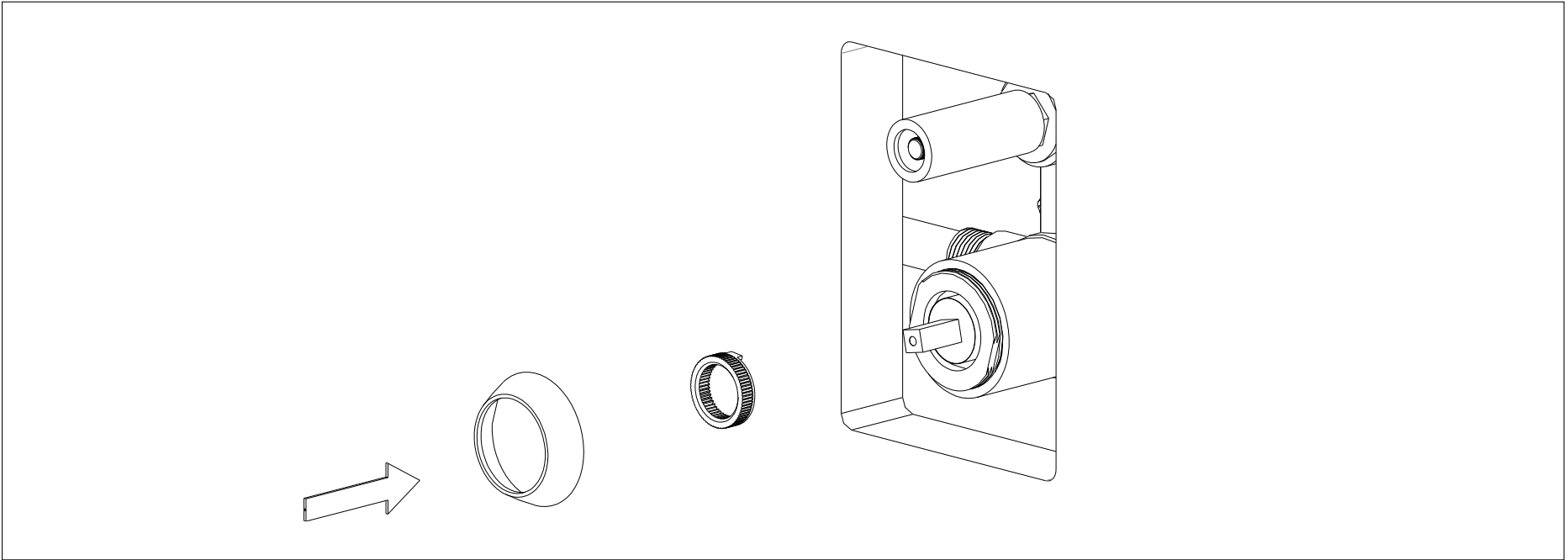
$105.8^{\circ}\text{F} [41^{\circ}\text{C}]$ - for washbasins.

$100.4^{\circ}\text{F} [38^{\circ}\text{C}]$ - for bidets.

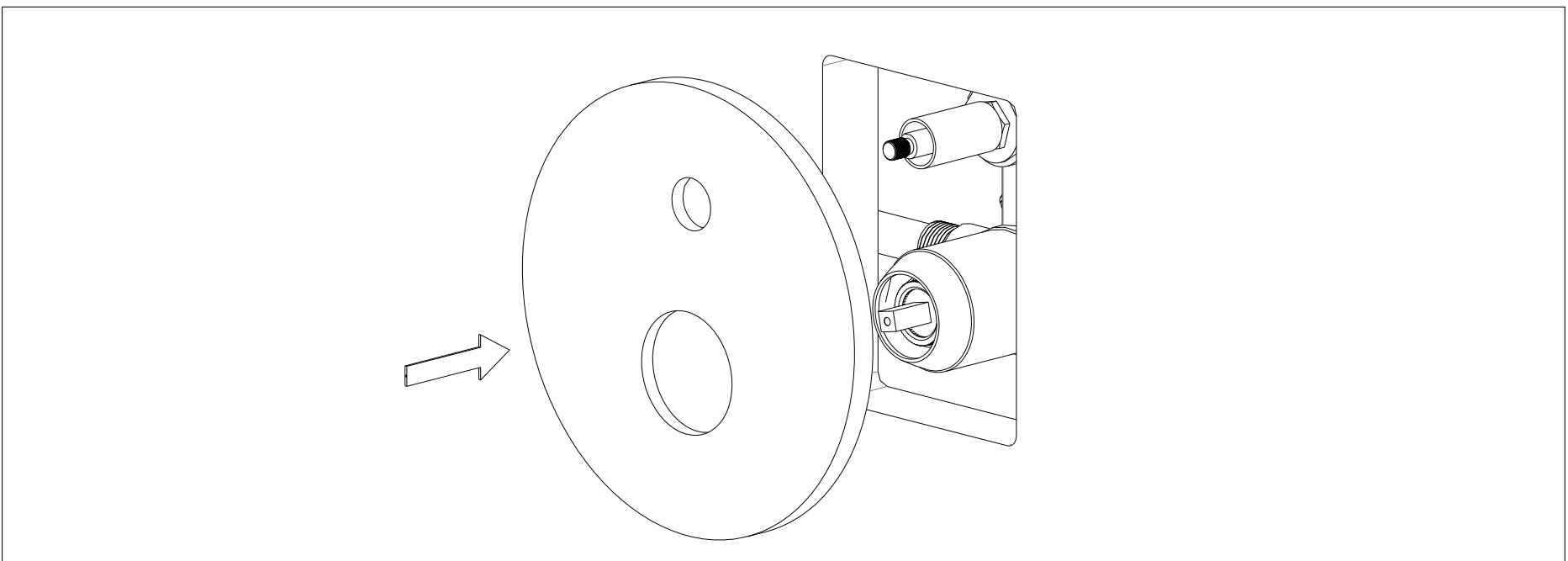
The mixed water temperatures must never exceed $114.8^{\circ}\text{F} [46^{\circ}\text{C}]$ at terminal fitting.



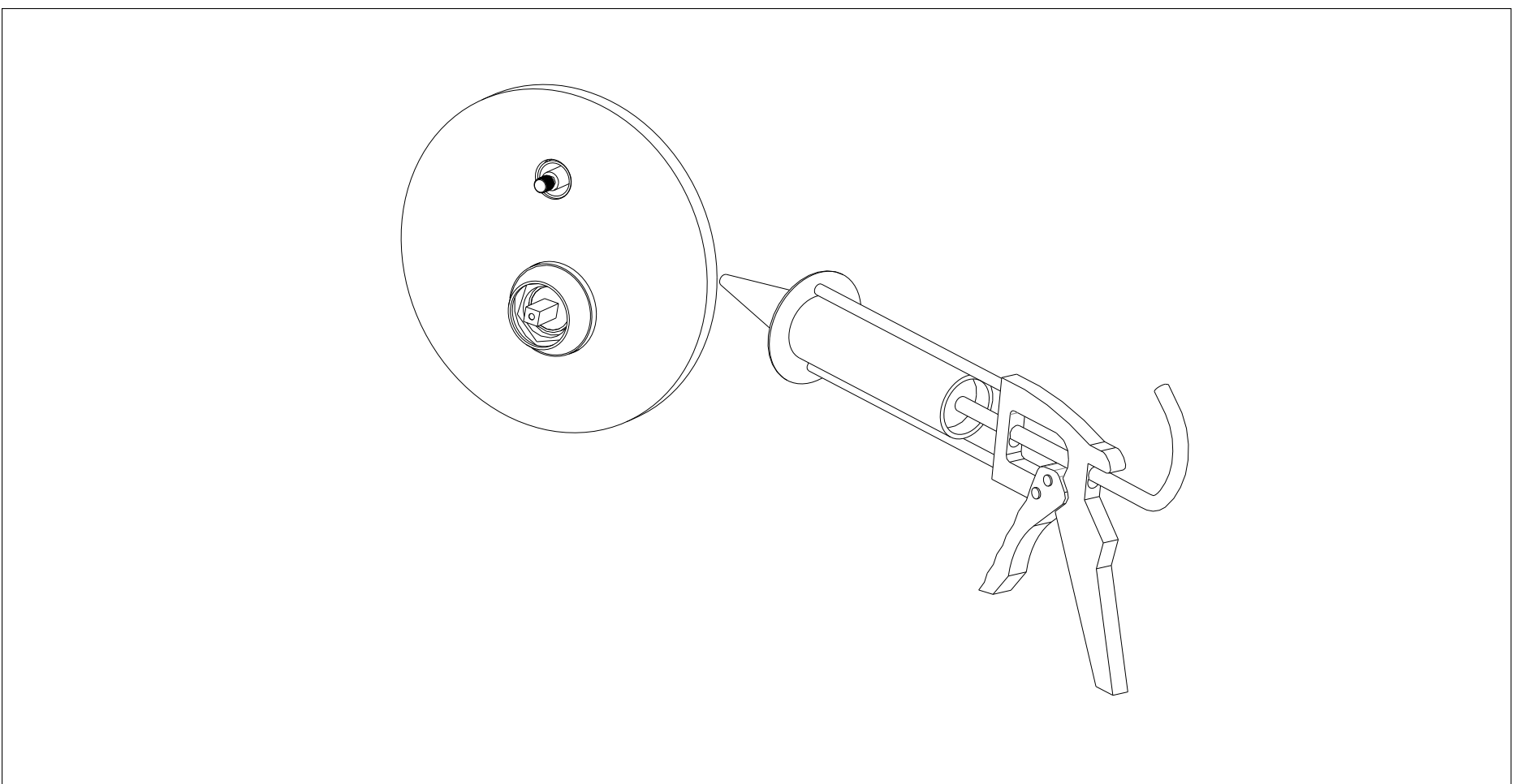
6.6 Attach the temperature limit ring to cartridge for locking the maximum temperature. Reinstall the bonnet cap and bonnet nut to the bonnet too.



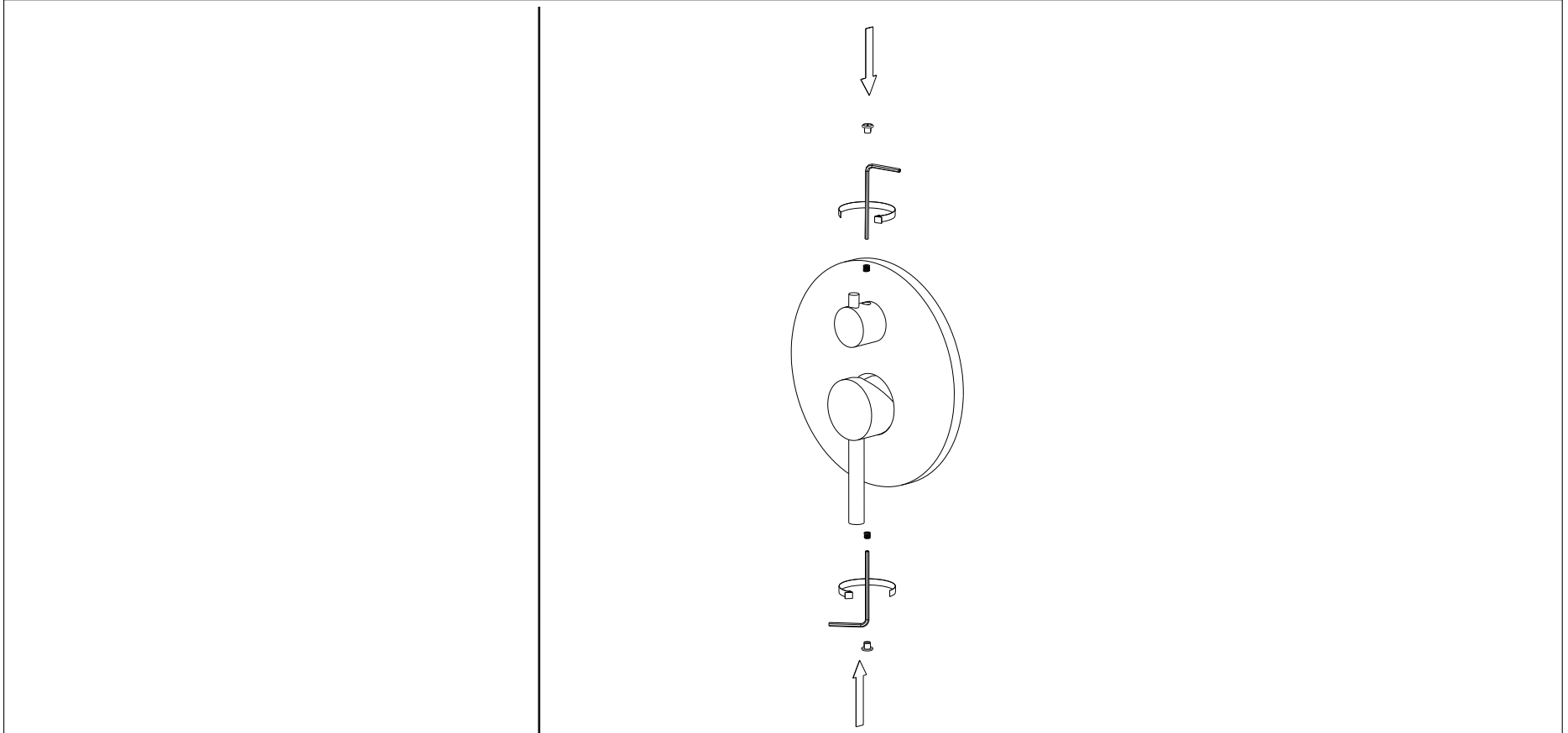
6.7 Attach the escutcheon over the valve body.



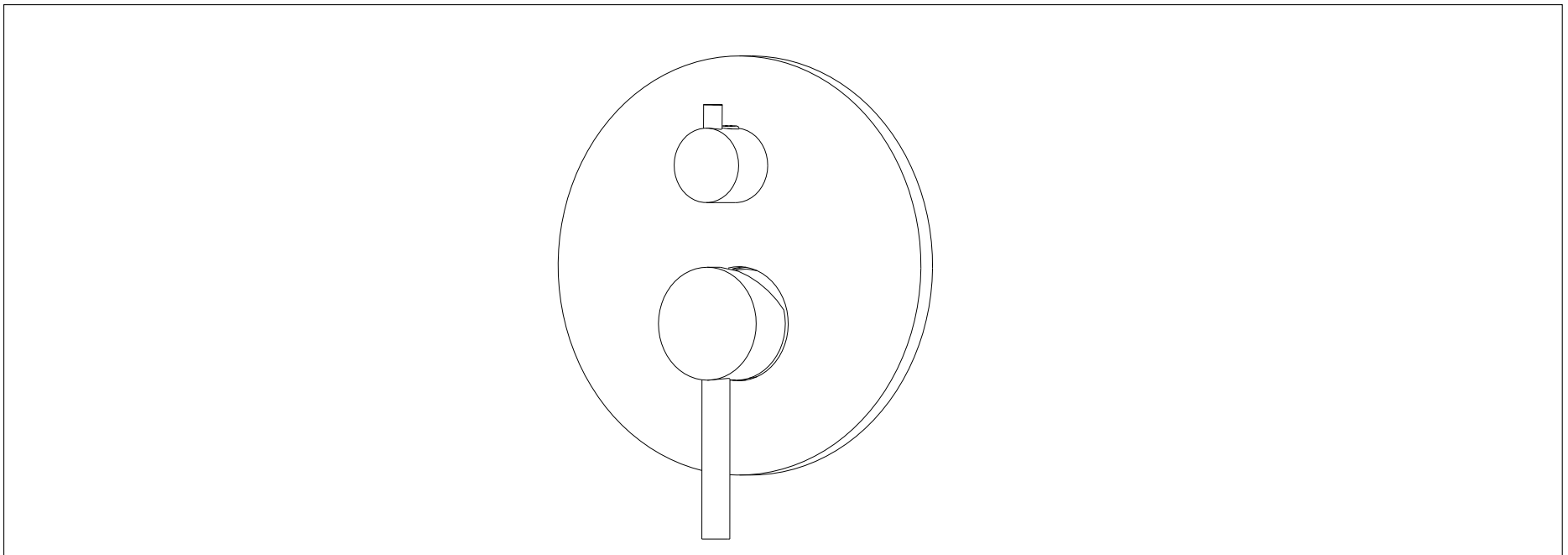
6.8 Seal the wall around the escutcheon with waterproof sealant.



6.9 Attach handle onto the valve stem and tighten set screws by the Allen wrench that is provided. Please don't over tighten. Finally press-in the screw cover.



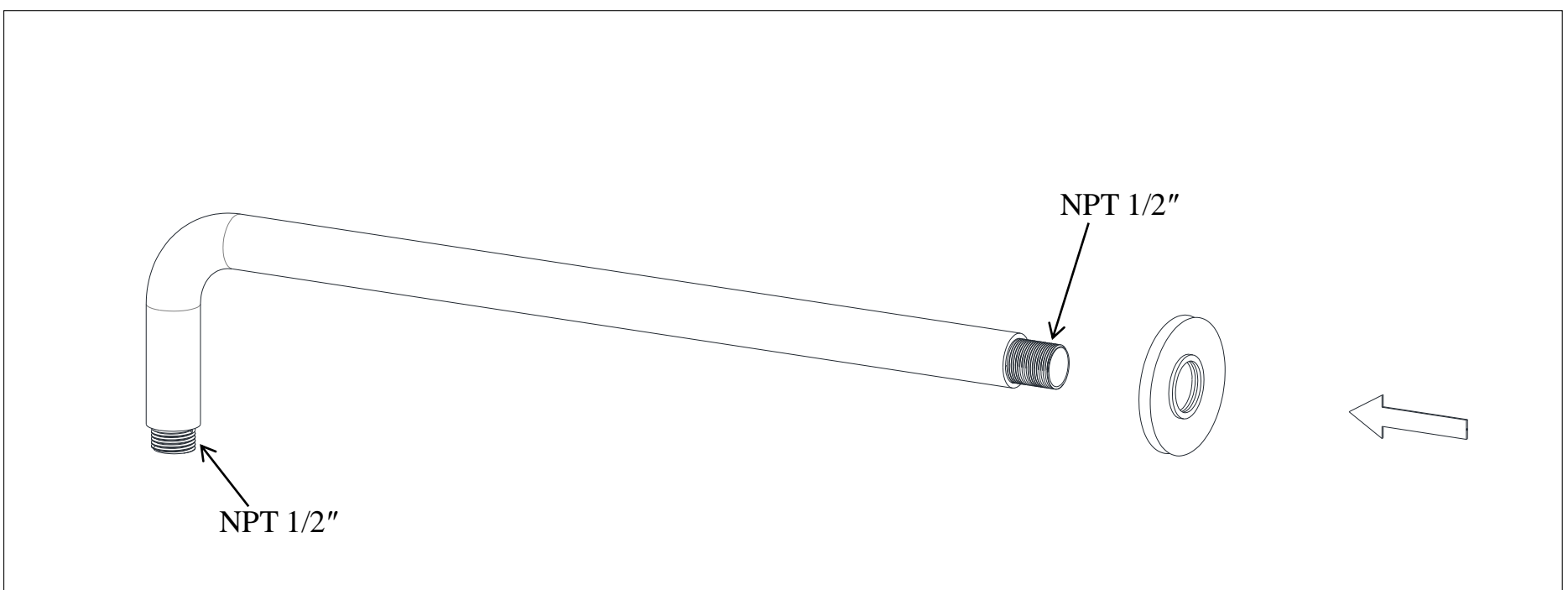
6.10 Valve trim installation finished.

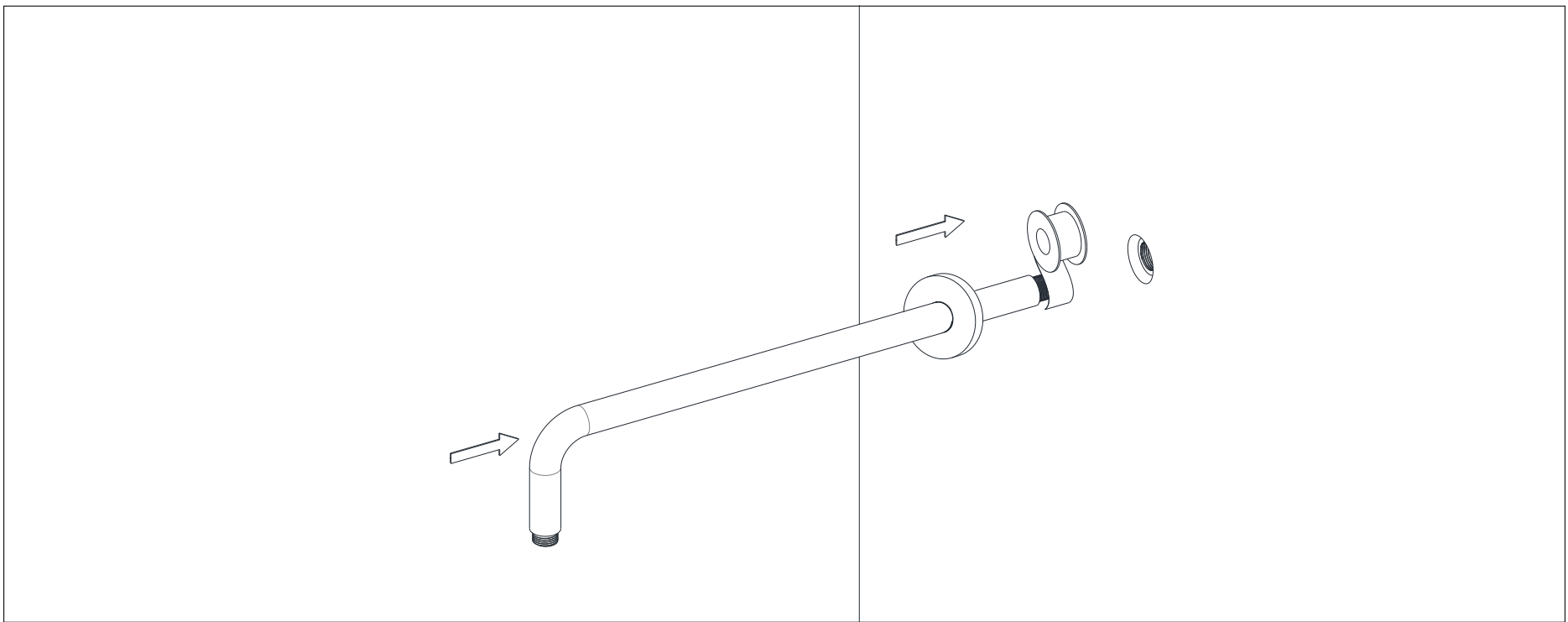


7. SHOWERHEAD INSTALLATION

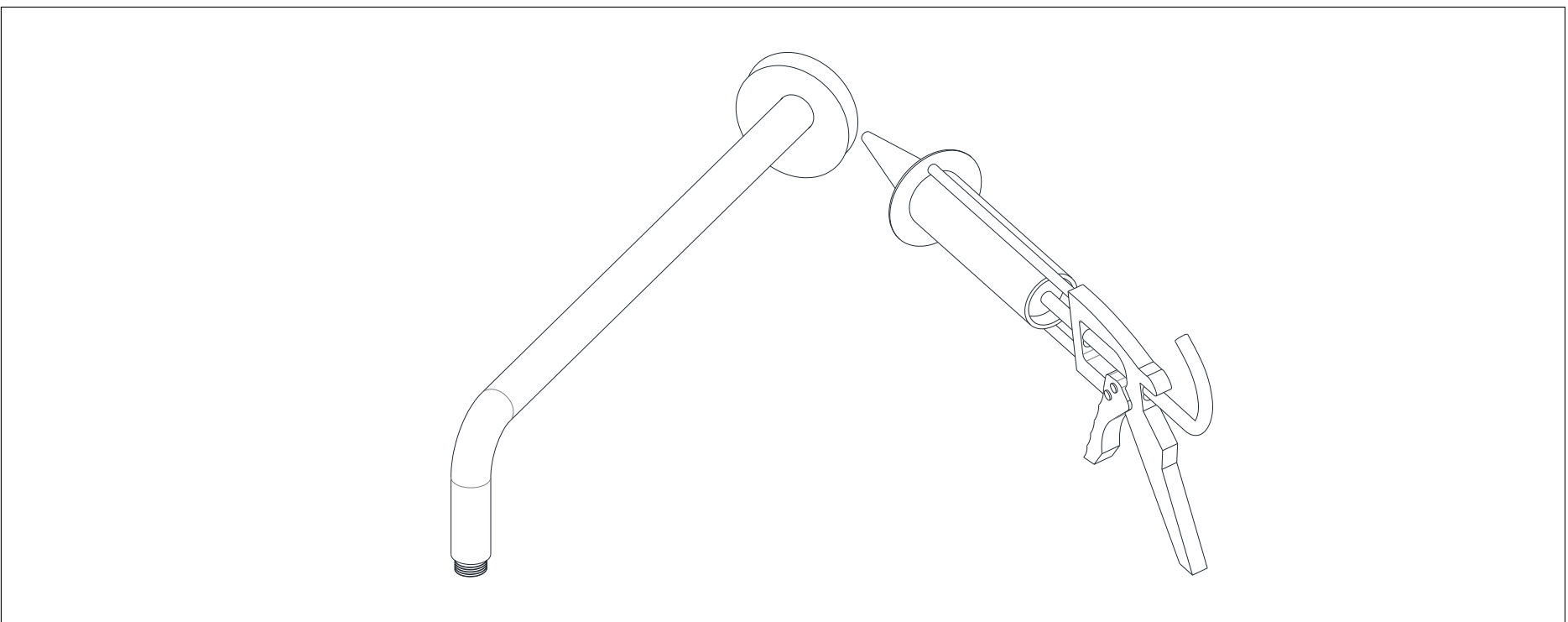
7.1 Attach shower arm escutcheon to the shower arm and apply Teflon tape to the thread of shower arm. Then secure the shower arm into the pipe elbow inside the wall by rotating clockwise.

Standard connect thread of shower arm inlet: NPT1/2" (US, CA).





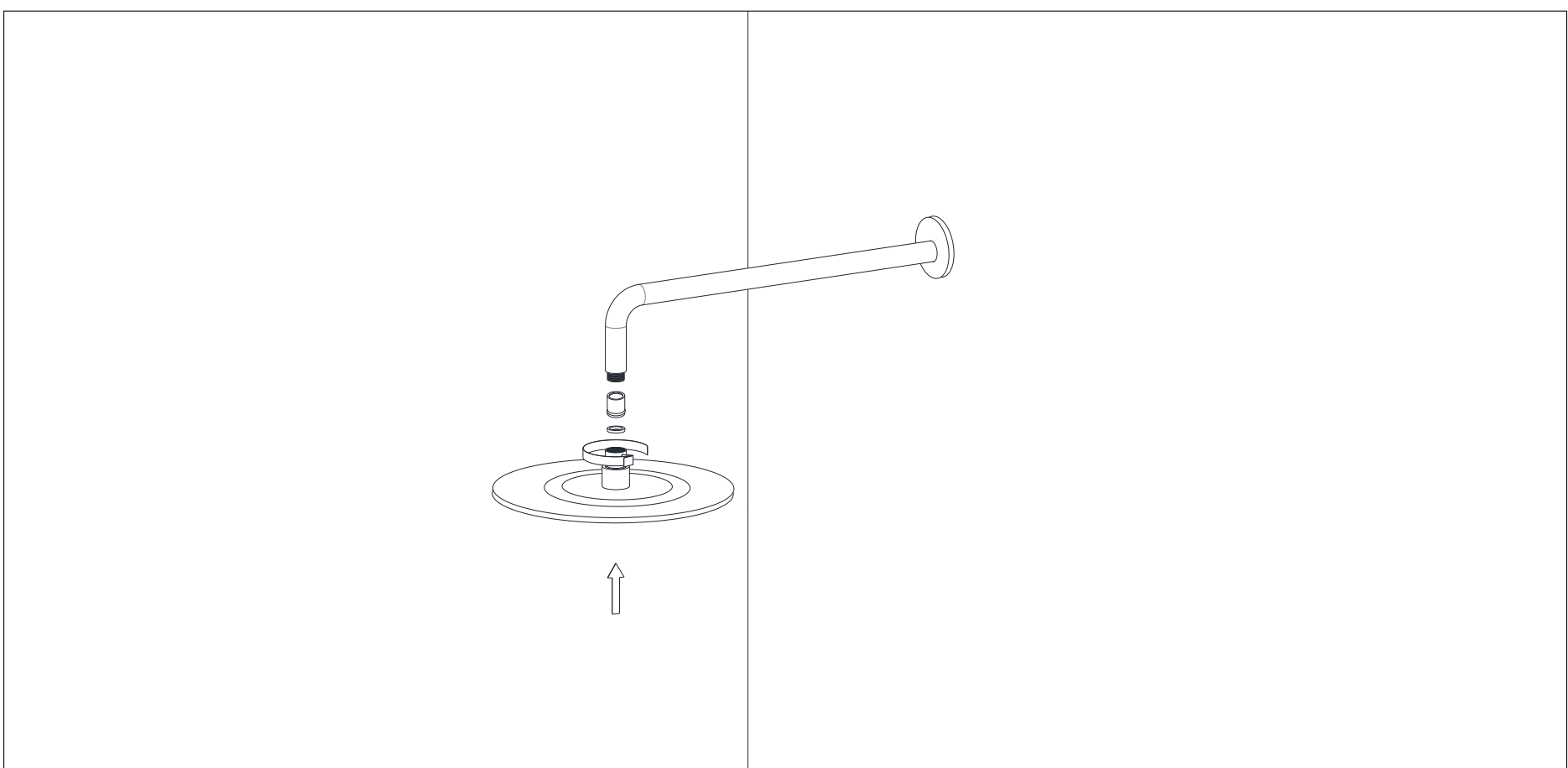
7.2 Seal the wall around the shower arm escutcheon with waterproof sealant.



7.3 Put the screen washer into the connector of showerhead and secure the showerhead on the shower head arm by hand rotating clockwise.

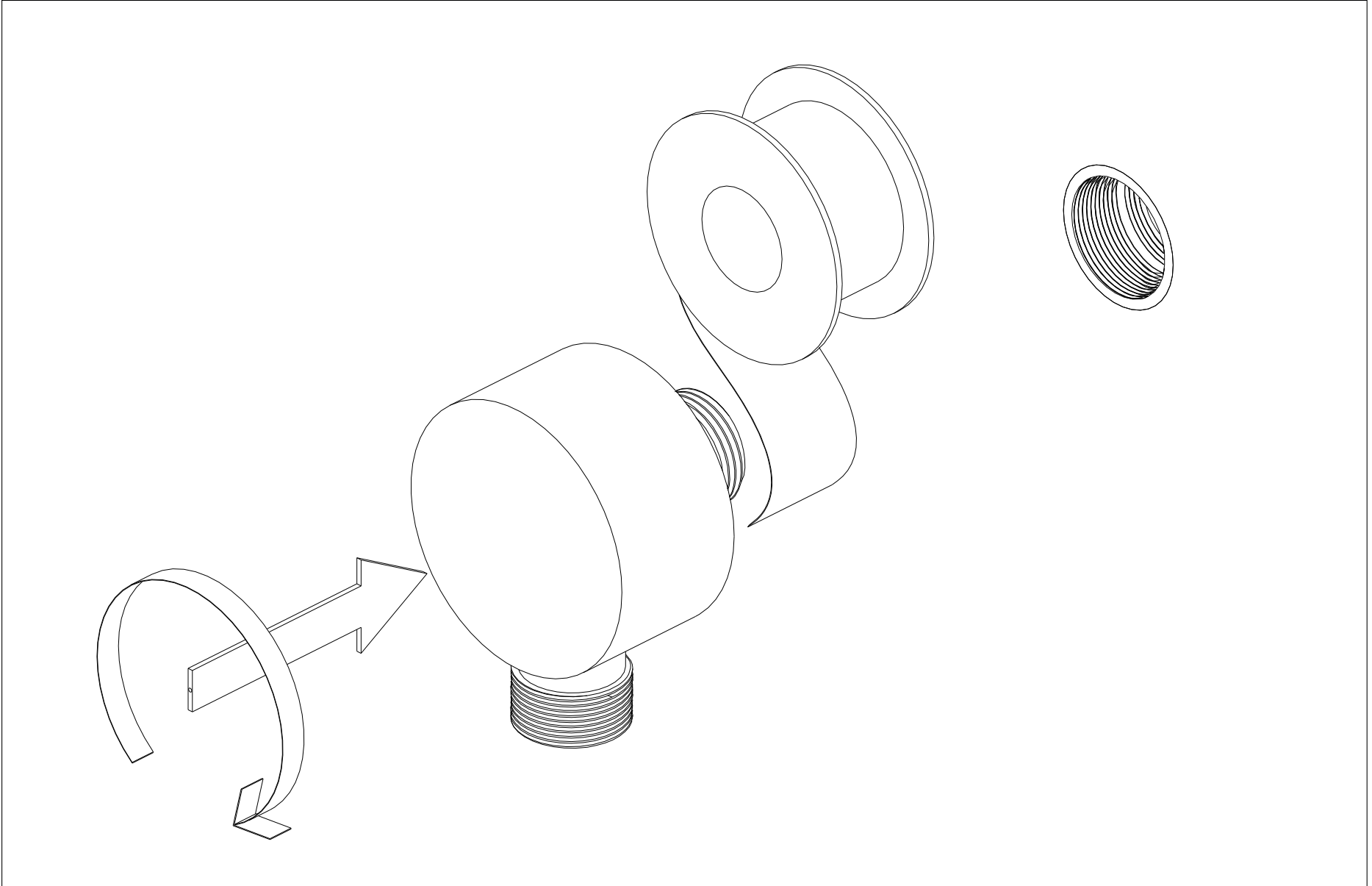


Missing the screen washer might lead to shower invalid.

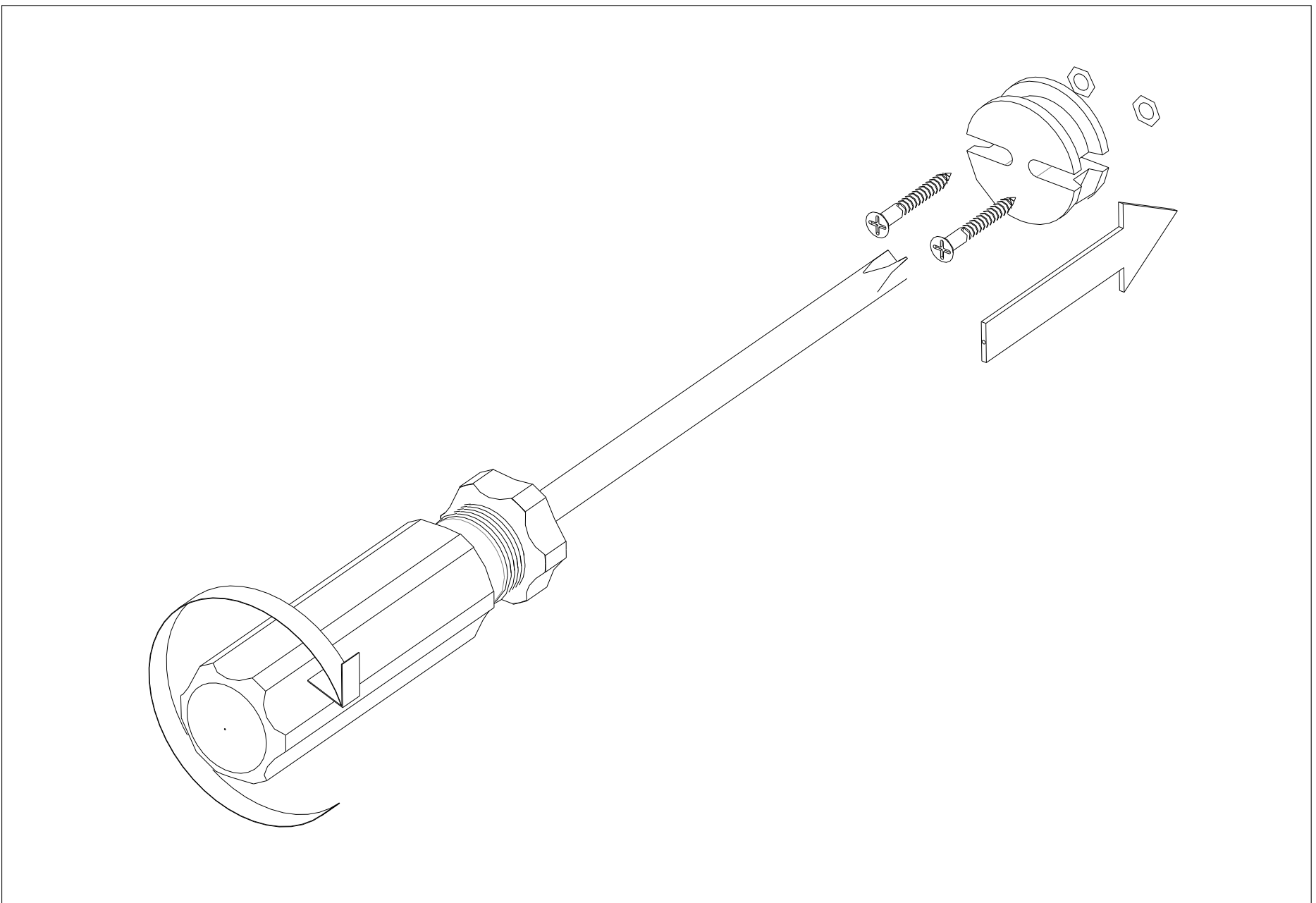


8. HAND SHOWER INSTALLATION

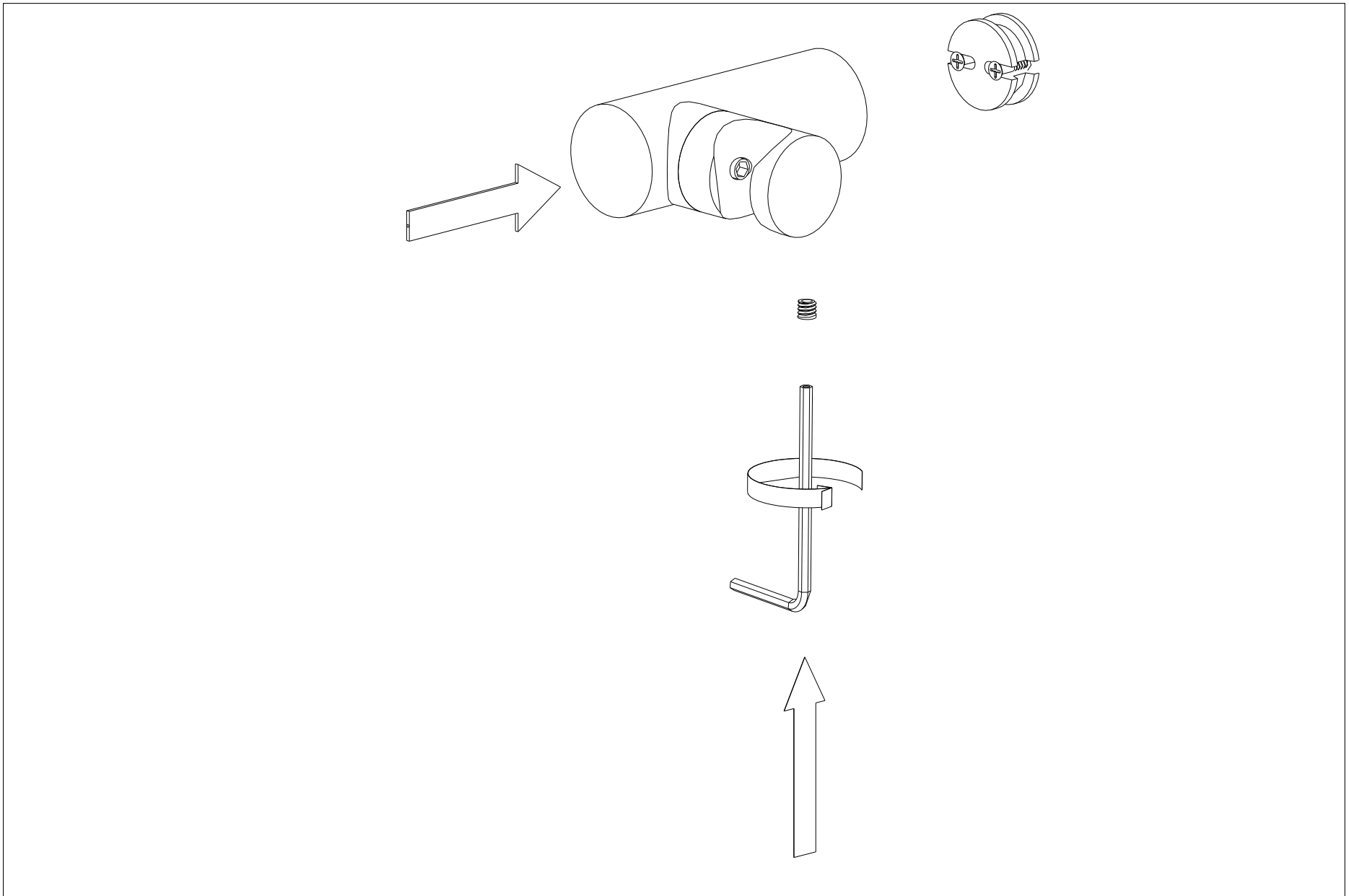
8.1 Apply Teflon tape to the thread of wall supply elbow and screw the thread into the pipe elbow inside the wall.



8.2 Attach the docking of hand shower holder to the wall and fasten by mounting screws.

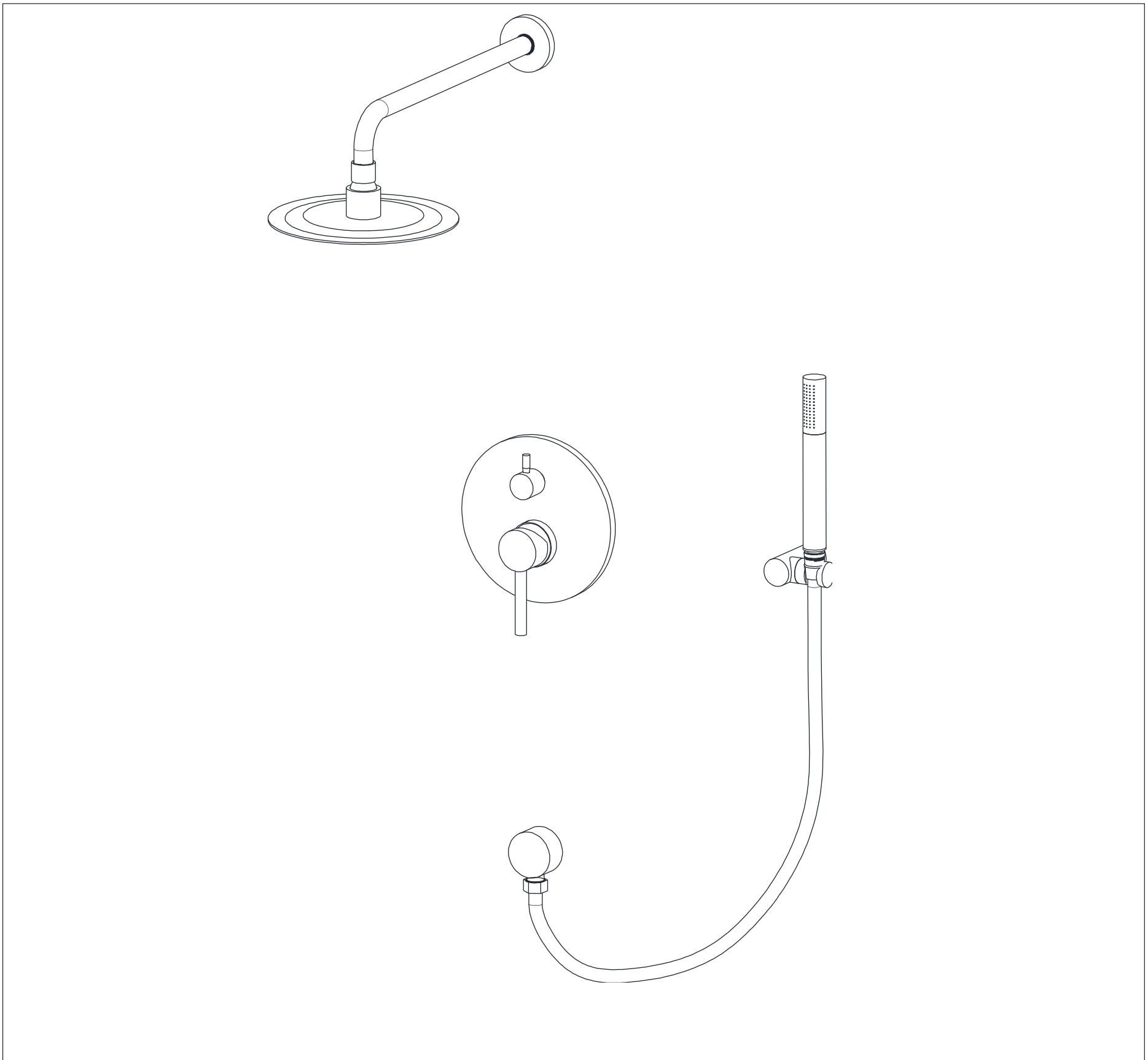


8.3 Docking the hand shower holder to the dock and secure with set screw by Allen wrench.



8.4. Connect the hand shower to the wall supply elbow with flexible hose.





9. INSPECTION

9.1 Turn on hot and cold water supply and check all connection for ensuring no leaking anywhere.

10. FUNCTION INSPECTION

10.1 Turn on the handle, the water outflow from the showerhead.

10.2 Switch the diverter knob, the water will outflow from the hand shower.

INSTALLATION FINISHED

CLEARNING RECOMMENDATION FOR SUMERAIN PRODUCTS

Modern lavatory faucets, kitchen faucets, and showers are built using a wide variety of materials to cater to the market's demands for design and functionality. To avoid damage and potential returns, adhering to specific cleaning guidelines is crucial.

Cleaning Materials for faucets & showers

When cleaning faucets and showers, it is important to consider the following professional terms:

- Acidic cleaning agents are essential for lime removal.
- Ensure to use only cleaning agents that are specifically designed for this particular application.
- Avoid using cleaning agents containing hydrochloric, formic, phosphoric, or acetic acid, as they can cause significant damage.
- Avoid mixing different cleaning agents, as this can cause harmful chemical reactions.
- Avoid using abrasive cleaning agents or tools, including unsuitable cleaning powders, sponge pads, or microfiber cloths that could damage the surface.

Cleaning instructions for faucets & showers

Please follow the cleaning material manufacturer's instructions. In addition, pay attention to the following points:

- Clean faucets and showers regularly as needed to maintain their optimal function and appearance.
- Apply the recommended amount of cleaning product for the specified duration. Be sure not to leave the cleaner on the faucets longer than necessary to avoid potential damage.
- Regular cleaning can help prevent calcification. If you notice scale deposits on the faucet surface or spout, use a commercial descaler such as Lime-Away® or CLR®.
- In case of rust formation due to hard water conditions, gently abrade the affected area with aluminum foil soaked in water until the surface is smooth. Subsequently, apply a modest amount of chrome polish or a suitable product like automotive wax (for instance, Meguiar's®, Turtle Wax®) to buff the surface.
- Solid stainless steel faucets and spouts, especially waterfall spouts, typically lack a protective coating. Although stainless steel is naturally resistant to tarnishing, it can oxidize over time and react to its environment. Therefore, it's crucial to keep stainless fixtures clean and dry. Use a cleaner specifically designed for stainless steel, such as Weiman® or CLR®.
- When using a spray cleaner, it is recommended that you first apply it to a soft cloth or sponge rather than spraying it directly onto the faucet. This method helps prevent water droplets from entering the faucet opening and causing potential damage.
- After cleaning, thoroughly rinse with clean water to remove any residue from the cleaner.

Important

Residues from liquid soap, shampoo, and shower gel can also contribute to damage. Therefore, it's crucial to thoroughly rinse these substances off with clean water after use.



Note: if the surface is already damaged, the application of cleaning materials might exacerbate the damage.

Components with damaged surfaces must be replaced or injury could result.

Note that any damage resulting from improper treatment is not covered by the warranty.

SUMERAIN®

SUMERAIN INTERNATIONAL GROUP INC

Address: 1226 NORTH KING ST NUM 522
WILMINGTON, DE 19801
United States

Tel: +1(866)203-0866

Web: <http://www.sumerain.com>

E-mail: supports@sumerain.us

HONGKONG SUMERAIN SANITARY INDUSTRY CO., LIMITED

Address: FLAT/RM 3B 3/F BANK TOWER
NOS.351&353 KING'S ROAD
NORTH POINT
HK

Tel: +86-750-2731579

E-mail: supports@sumerain.com

SUMERAIN EUROPE SUPPORT

Address: Flottwellstr. 15
10785 Berlin,
Deutschland

Tel: +49 (0)30/23975898

E-mail: de@sumerain.com