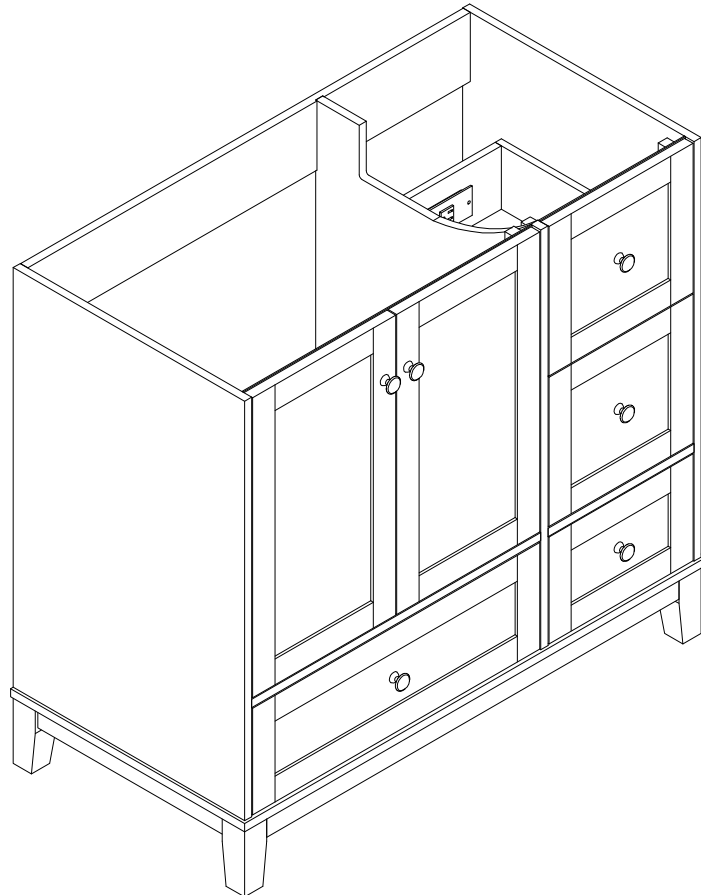


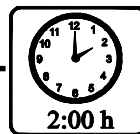
ASSEMBLY INSTRUCTIONS

BATH VANITY-CABINET

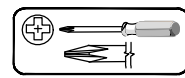


Thank you for purchasing this quality product. Be sure to check all packing material carefully for small parts which may have come loose inside the carton during shipment. Separate, identify and count all parts and hardware. Compare with the parts list to be sure all parts are present. "DO NOT TIGHTEN SCREWS UNTIL COMPLETELY ASSEMBLED"

*** Use of power tool to assemble this product will invalidate any claim and damage this product making unsafe !!!**
*** Please assemble on a clean soft surface to avoid damage.**



Tools Required



(Not included)



(Not included)

IMPORTANT:

PLEASE READ INSTRUCTION BEFORE STARTING THE ASSEMBLY

Before Installation

Important - Please read these instructions fully before starting assembly

Thank you for purchasing this quality product. Be sure to check all packing materials carefully for small parts, which may have come loose inside the carton during shipment. Identify and count all items according to the PARTS LIST and/or HARDWARE LIST shown below. Check you have all the components and tools listed on the following pages.

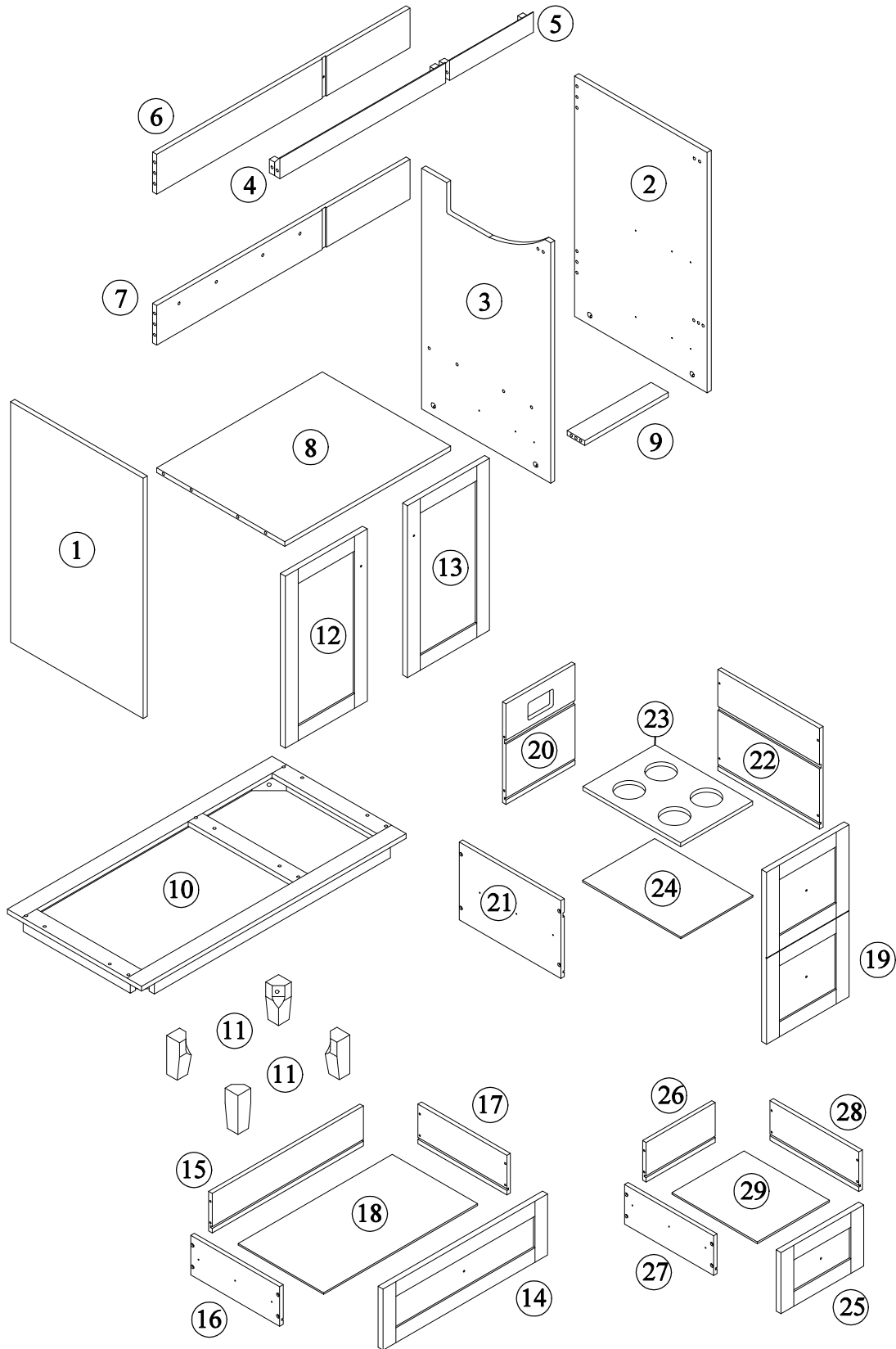
- . We recommend that you assemble this product with the assistance of another person; this will make the assembly easier, and will help eliminate damage to the product or injury to persons during assembly.
- . Please do not over tighten screws or bolts until the assembly is completed.
- . Keep children and animal away from the work area, small parts could choke if swallowed.
- . Please put all parts on a non-abrasive floor before assembly, and follow the assembly steps to assemble your newly purchased product correctly and efficiently.

If you find that you have any trouble with assembly or missing or damaged parts please contact the seller.

Cam Lock Assembly Instructions



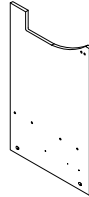
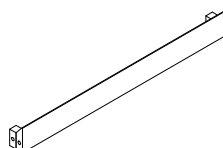
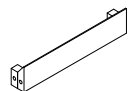
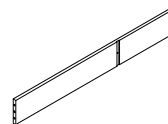
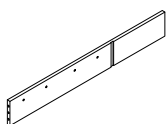
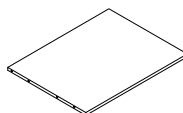
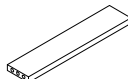
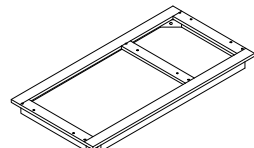
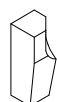
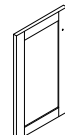
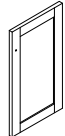
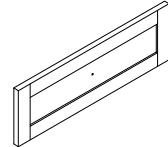
		Diagram A Insert Cam Bolt into hole as shown in diagram A.
		Diagram B Make sure not to insert the Cam Bolt too deep as shown in figure B as this will cause the Cam Lock to be misaligned and unable to interlock properly.
		Diagram C Also avoid inserting the Cam Bolt too close to the surface of the hole as shown in figure C, as this will cause the Cam Lock to be too loose, and not interlock properly.
		Connect the panels together.
		ARROW SIGN Insert the Cam Lock so the side opening fits over the head of the Cam Bolt.
		To tighten the Cam Lock, turn it clockwise on half a turn with a flat screwdriver. <i>*Do not use an automatic screwdriver as it may bend or break if too much power is imposed.</i>

Detail View - CABINET

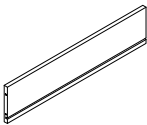
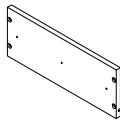
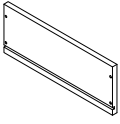
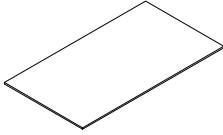
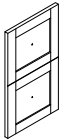
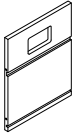
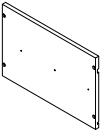
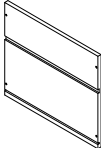
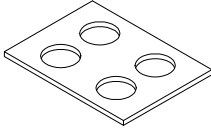
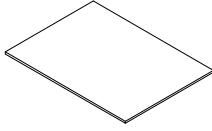
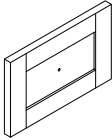
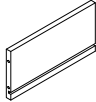
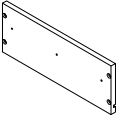
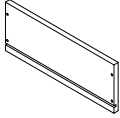
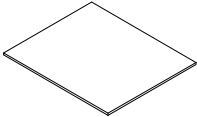


Identifying the Hardware-Identify the hardware using the illustrations below.

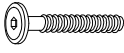








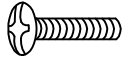



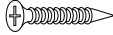
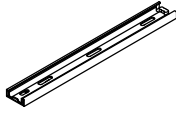
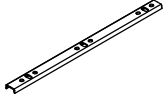
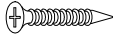





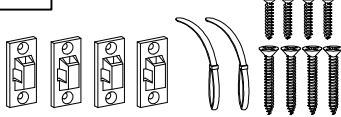
Part List

<p>1</p>  <p>Side Panel (L) - 1pc</p>	<p>2</p>  <p>Side Panel (R) - 1pc</p>
<p>3</p>  <p>Panel Mid (A) - 1pc</p>	<p>4</p>  <p>Crossbar Top (L) - 1pc</p>
<p>5</p>  <p>Crossbar Top (R) - 1pc</p>	<p>6</p>  <p>Rear Panel Top - 1pc</p>
<p>7</p>  <p>Rear Panel Bottom - 1pc</p>	<p>8</p>  <p>Panel Mid (B) - 1pc</p>
<p>9</p>  <p>Crossbar Mid - 1pc</p>	<p>10</p>  <p>Frame Bottom - 1pc</p>
<p>11</p>  <p>Foot Cabinet - 4pcs</p>	<p>12</p>  <p>Door Cabinet (L) - 1pc</p>
<p>13</p>  <p>Door Cabinet (R) - 1pc</p>	<p>14</p>  <p>Long Drawer Face - 1pc</p>

Part List

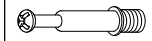
<p>15</p>  <p>Long Drawer Rear panel - 1pc</p>	<p>16</p>  <p>Long Drawer Side panel (L) - 1pc</p>
<p>17</p>  <p>Long Drawer Side panel (R) - 1pc</p>	<p>18</p>  <p>Long Drawer panel Bottom - 1pc</p>
<p>19</p>  <p>Double Drawer Face - 1pc</p>	<p>20</p>  <p>Double Drawer Panel Rear - 1pc</p>
<p>21</p>  <p>Double Drawer Side (L) - 1pc</p>	<p>22</p>  <p>Double Drawer Side (R) - 1pc</p>
<p>23</p>  <p>Double Drawer panel Mid - 1pc</p>	<p>24</p>  <p>Double Drawer panel Bottom - 1pc</p>
<p>25</p>  <p>Drawer Face - 1pc</p>	<p>26</p>  <p>Drawer Panel Rear - 1pc</p>
<p>27</p>  <p>Drawer Side (L) - 1pc</p>	<p>28</p>  <p>Drawer Side (R) - 1pc</p>
<p>29</p>  <p>Drawer panel Bottom - 1pc</p>	

Hardware List

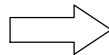
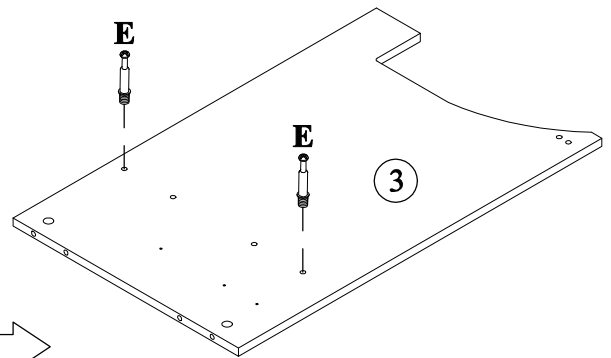
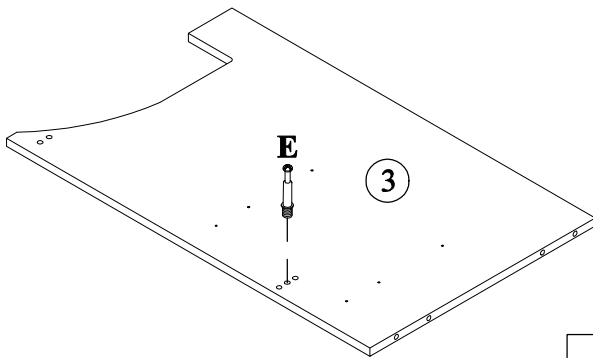
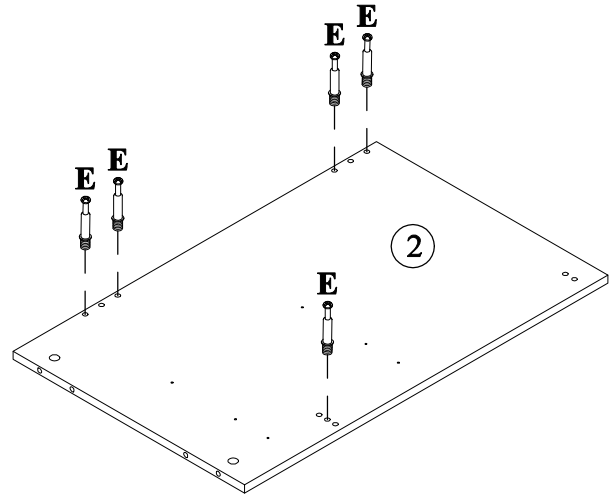
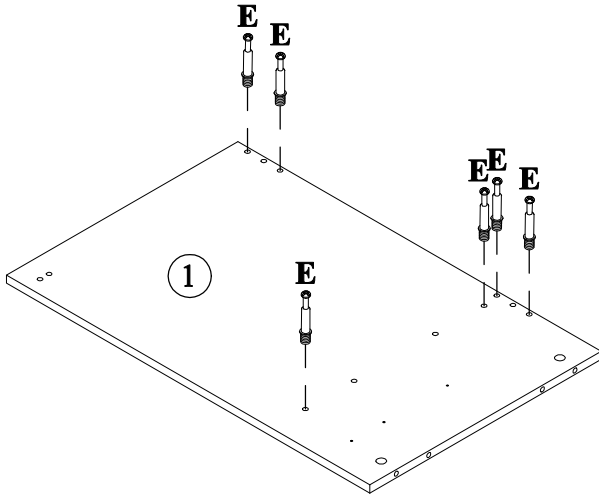
<p>A</p>  <p>$\varnothing 13 \times 1/4" \times 28 \text{mm}$ Hex-Head bolts (2pcs)</p>	<p>B</p>  <p>$\varnothing 13 \times 1/4" \times 40 \text{mm}$ Hex-Head bolts (4pcs)</p>	<p>C</p>  <p>$\varnothing 13 \times 1/4" \times 50 \text{mm}$ Hex-Head bolts (1pc)</p>
<p>D</p>  <p>$\varnothing 1/4" \times 16 \times 1 \text{mm}$ Washer (7pcs)</p>	<p>E</p>  <p>$\varnothing 6 \times 35 \text{mm}$ Three in one bolts (22pcs)</p>	<p>F</p>  <p>$\varnothing 14.5 \times 12 \text{mm}$ Three in one lock (22pcs)</p>
<p>G</p>  <p>$\varnothing 8 \times \varnothing 4 \times 25 \text{mm}$ Round head screw (2pcs)</p>	<p>H</p>  <p>$\varnothing 8 \times \varnothing 4 \times 32 \text{mm}$ Round head screw (24pcs)</p>	<p>I</p>  <p>Handle (6pcs)</p>
<p>J</p>  <p>$\varnothing 5/32" \times 15 \text{mm}$ Handle screw (1pc)</p>	<p>K</p>  <p>$\varnothing 5/32" \times 20 \text{mm}$ Handle screw (2pc)</p>	<p>L</p>  <p>$\varnothing 5/32" \times 25 \text{mm}$ Handle screw (3pcs)</p>
<p>M</p>  <p>Damping hinge (4pcs)</p>	<p>N</p>  <p>$\varnothing 7 \times \varnothing 3.5 \times 15 \text{mm}$ Flat head screw (24pcs)</p>	<p>O</p>  <p>$\varnothing 300 \times 35 \text{mm}$ Slide rails (6pcs)</p>
<p>P</p>  <p>$\varnothing 298 \times 18 \text{mm}$ Slide rails (6pcs)</p>	<p>Q</p>  <p>$\varnothing 6 \times \varnothing 3 \times 12 \text{mm}$ Flat head screw (36pcs)</p>	<p>R</p>  <p>$\varnothing 7 \times \varnothing 3.5 \times 12 \text{mm}$ Round head screw (2pcs)</p>
<p>S</p>  <p>USB power socket (1pc)</p>	<p>T</p>  <p>$\varnothing 8 \times 30 \text{mm}$ Wood dowel (22pcs)</p>	<p>U</p>  <p>$\varnothing 8 \times 50 \text{mm}$ Wood dowel (1pc)</p>
<p>V</p>  <p>4mm Allen key (1pc)</p>	<p>W</p>  <p>Anti fall hardware (1set)</p>	

STEP: 1

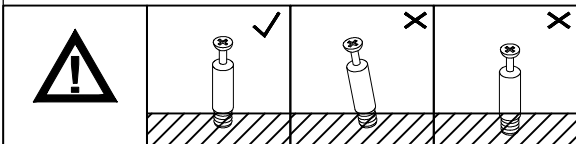
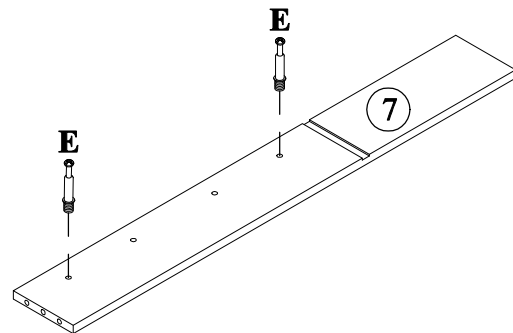
E




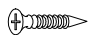
16PCS

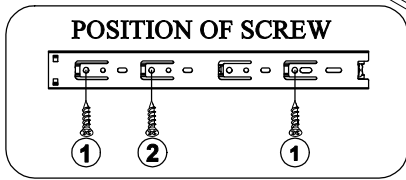
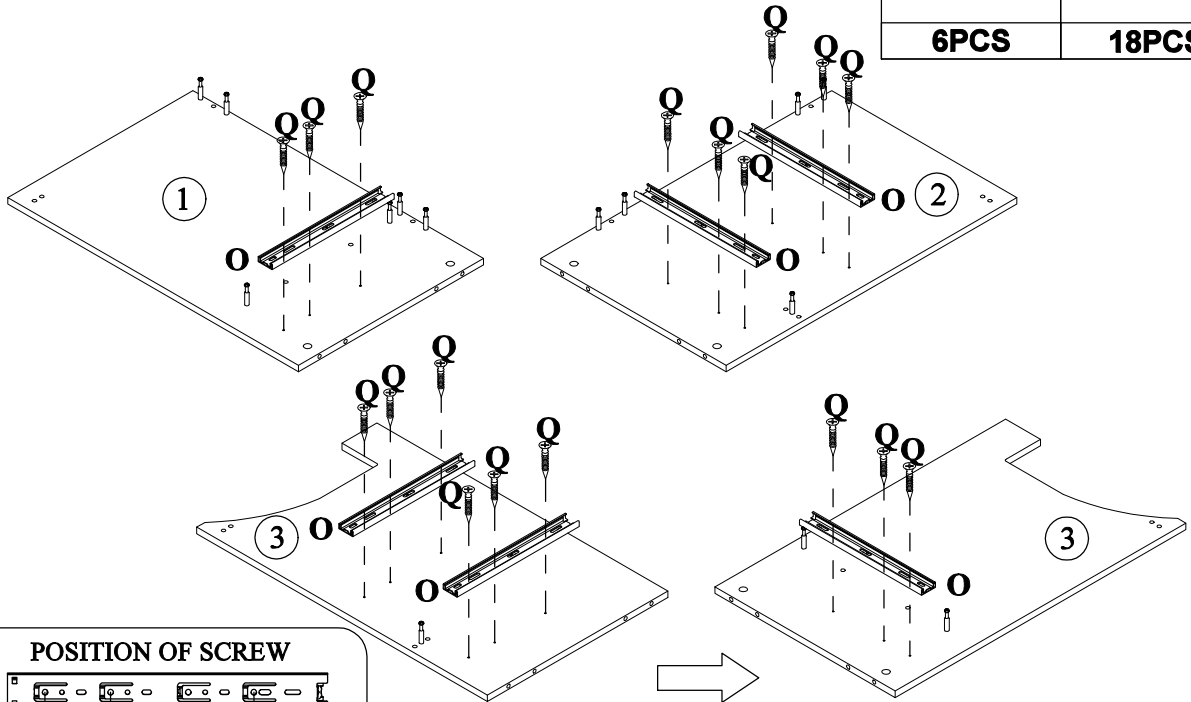


Turn over and install screw





STEP: 2

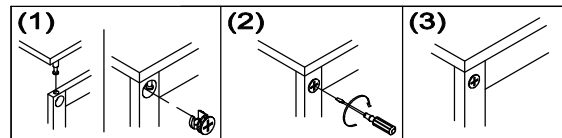
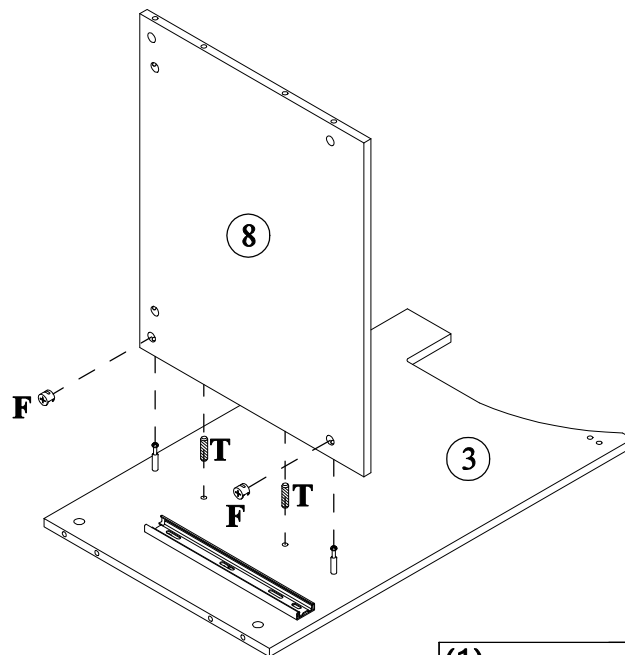
O		Q	
	6PCS		18PCS



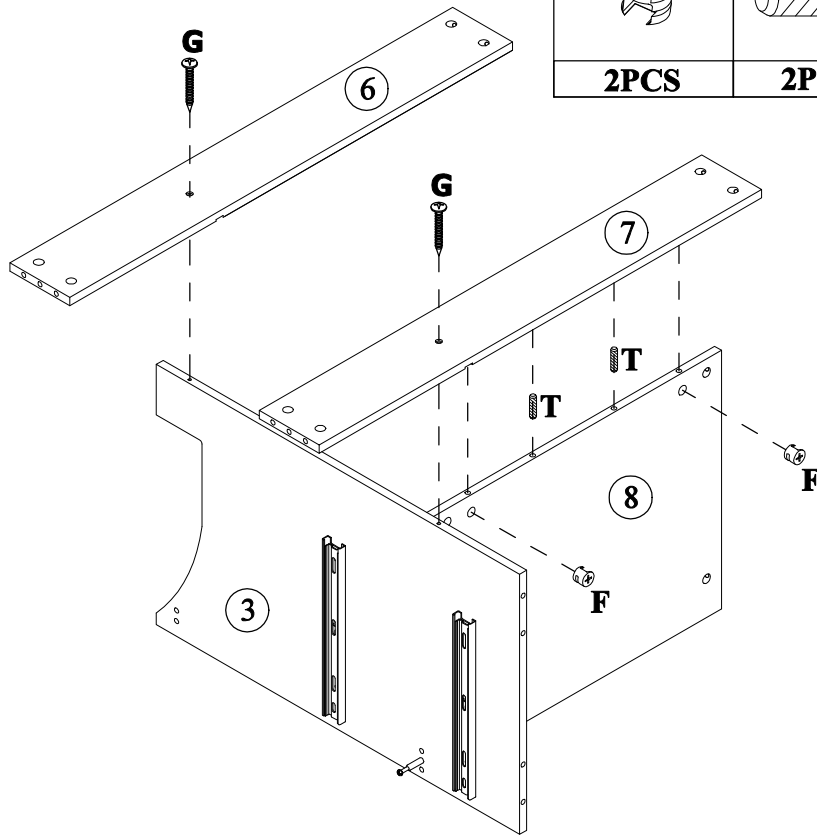
Turn over and install slide rail


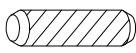

STEP: 3

F		T	
	2PCS		2PCS

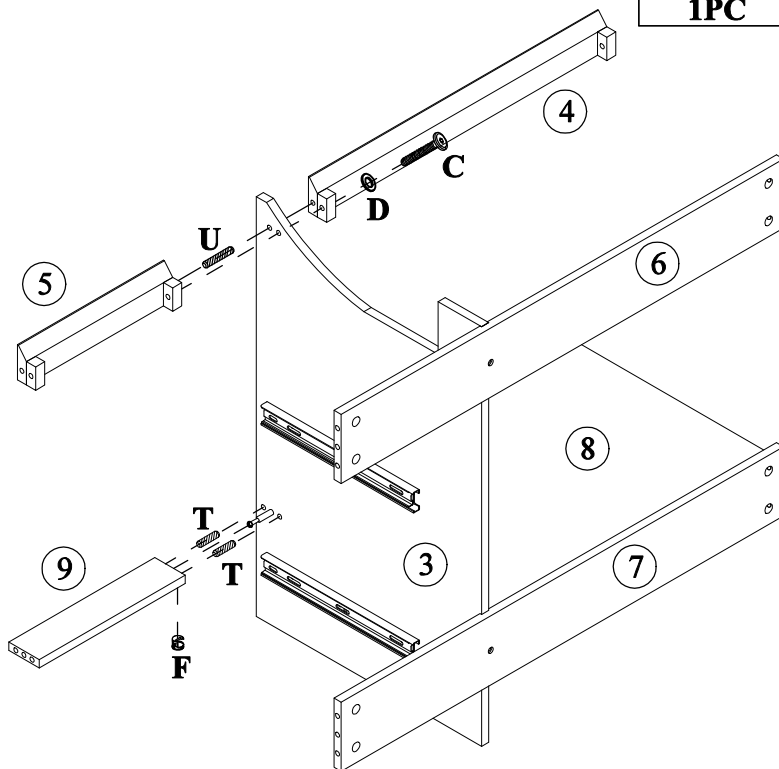






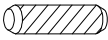
STEP: 4



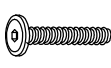


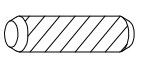
F 	T 	G 
2PCS	2PCS	2PCS

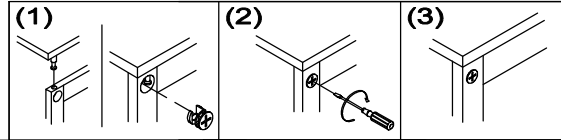
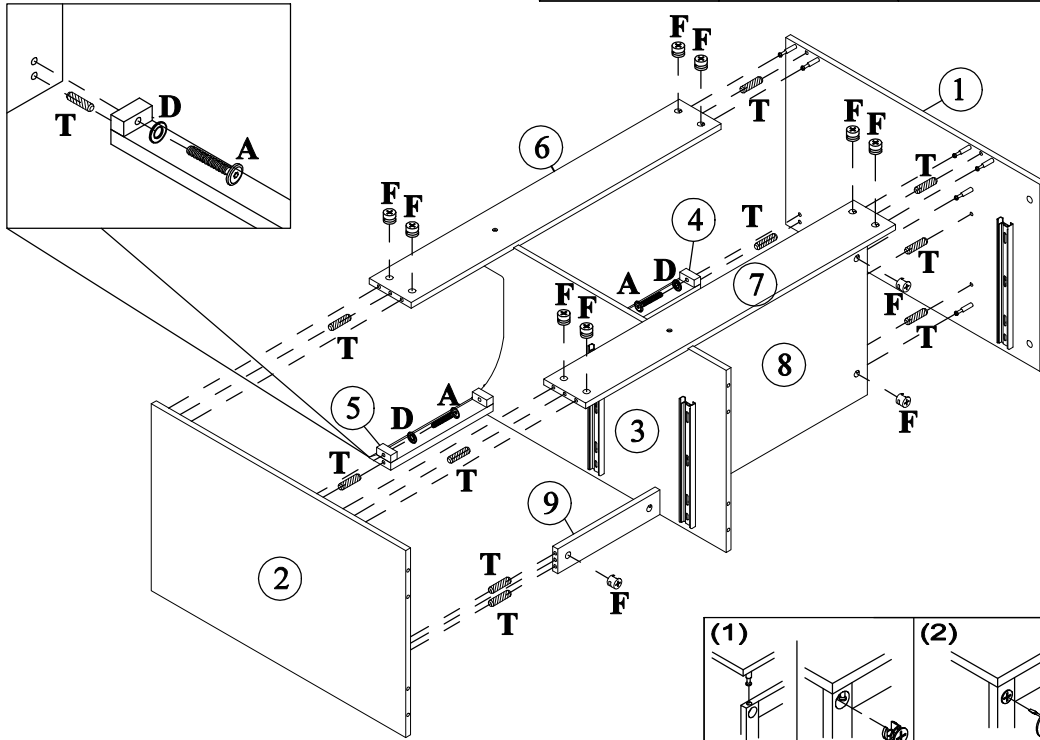
STEP: 5



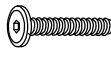

C 	D 	U 
1PC	1PC	1PC
F 	T 	
1PC	2PCS	

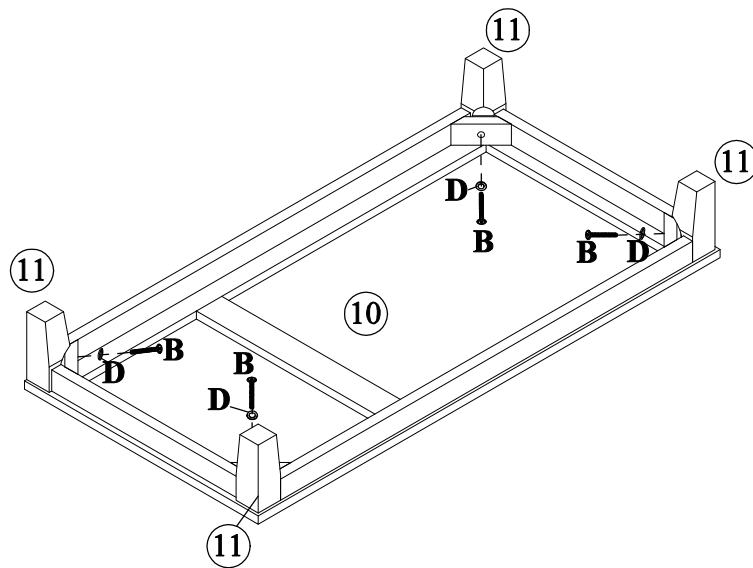
STEP: 6

A	D	F	T
			
2PCS	2PCS	11PCS	10PCS



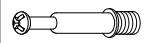
STEP: 7

B	D
	
4PCS	4PCS

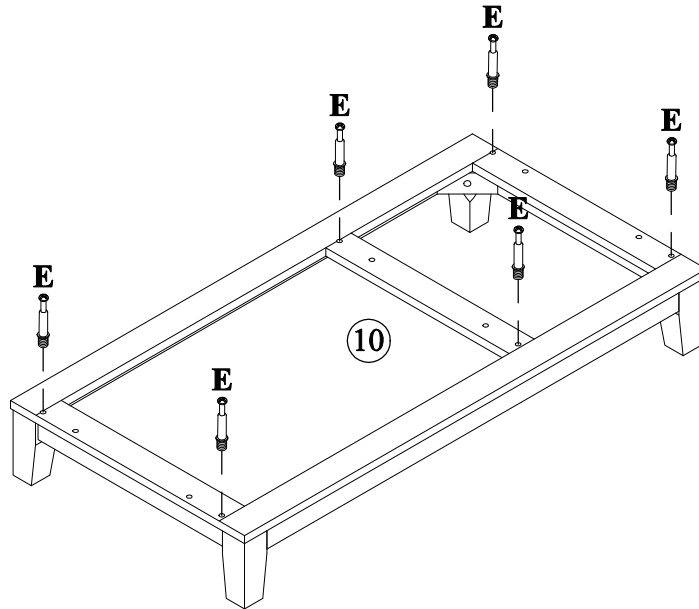


STEP: 8

E



6PCS



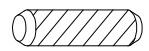
STEP: 9

F

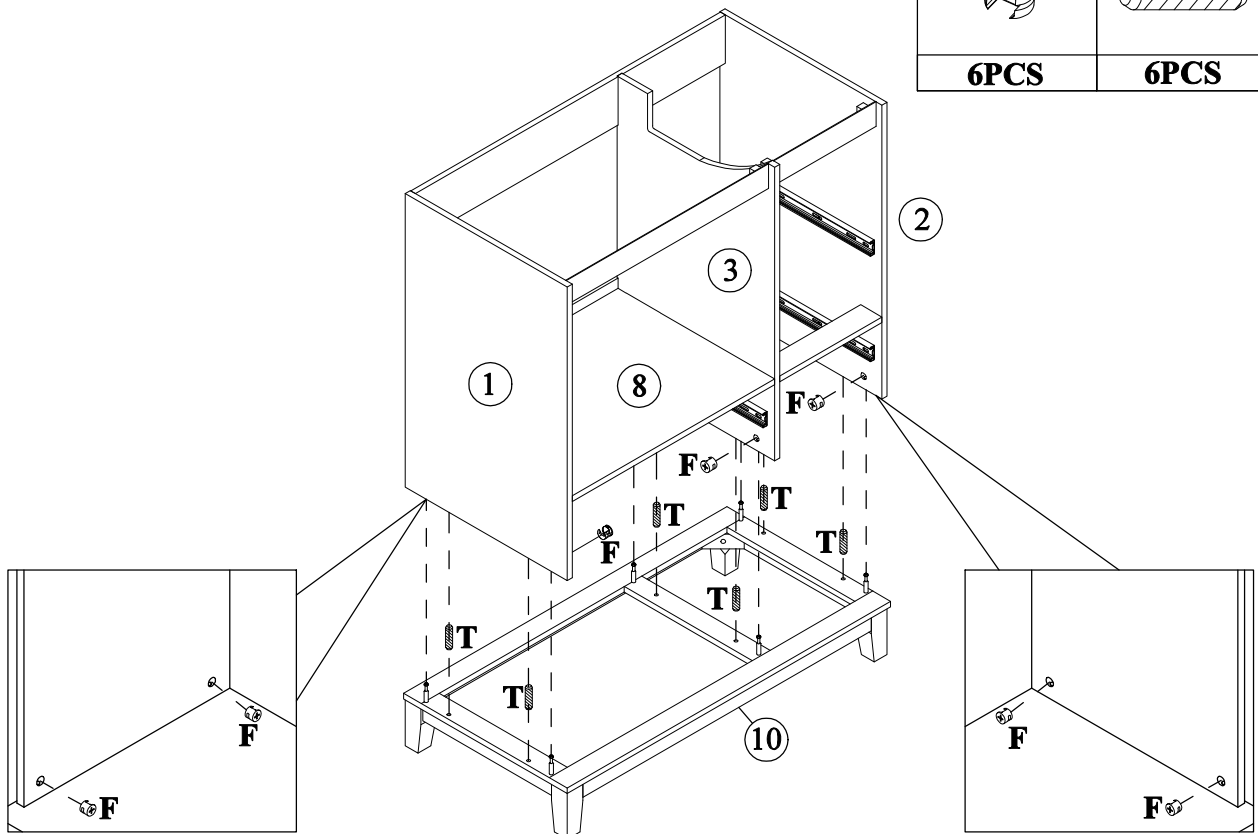


6PCS



T

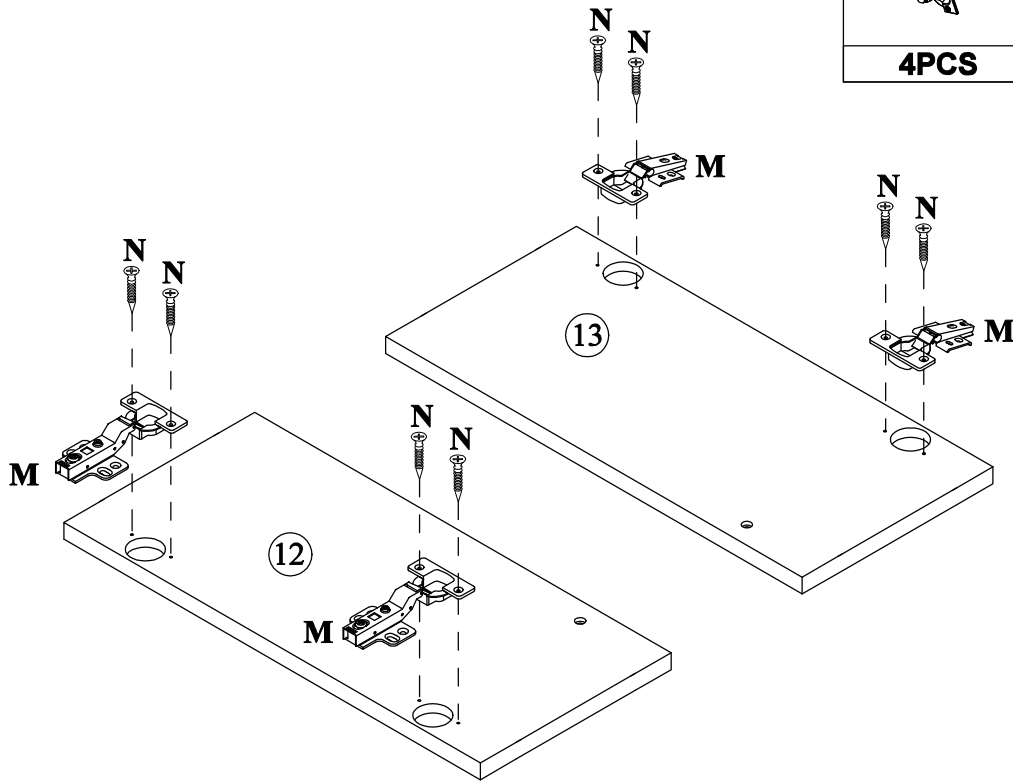


6PCS


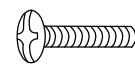
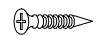


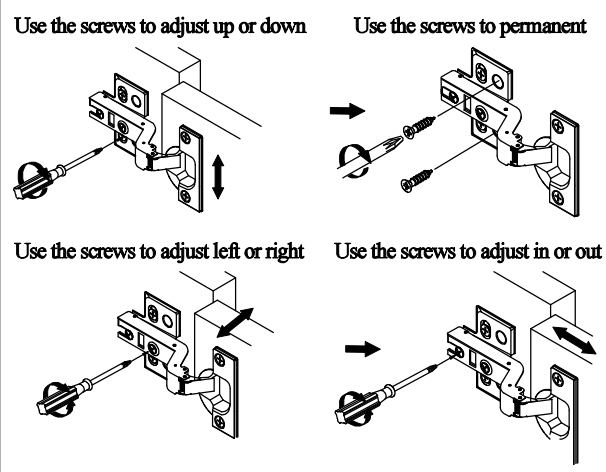
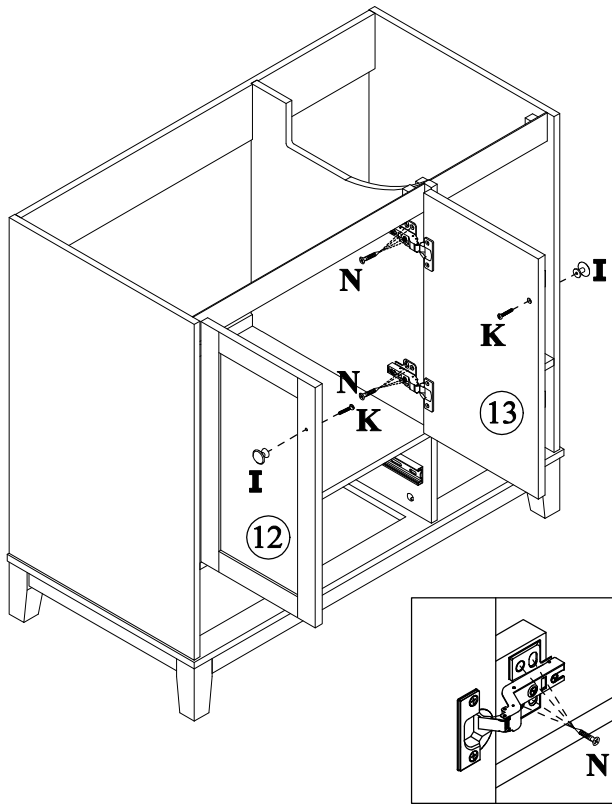
STEP: 10

M	N
	
4PCS	8PCS

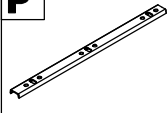
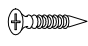


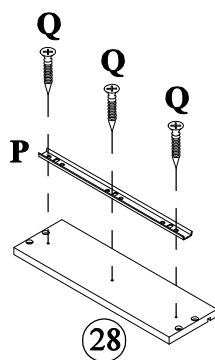
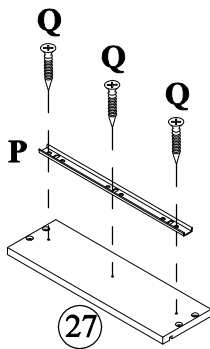
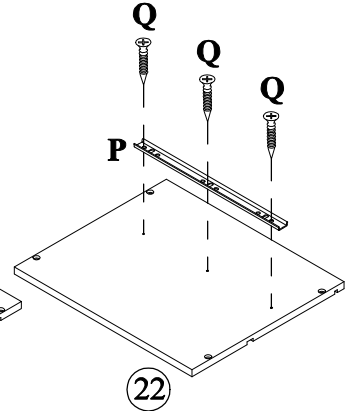
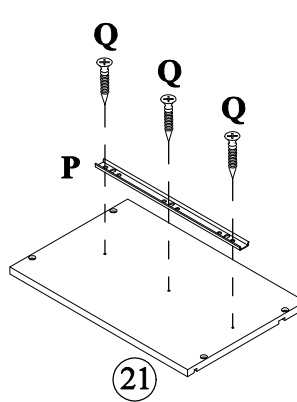
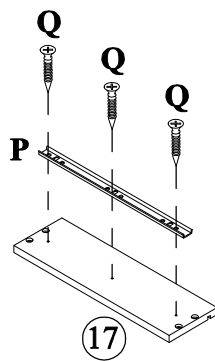
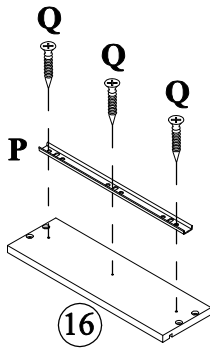
STEP: 11

I	K	N
		
2PCS	2PCS	16PCS

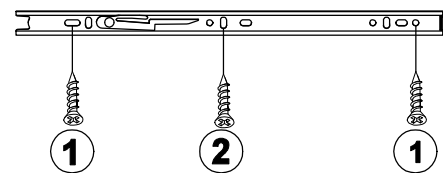


STEP: 12


P		Q	
	6PCS		18PCS

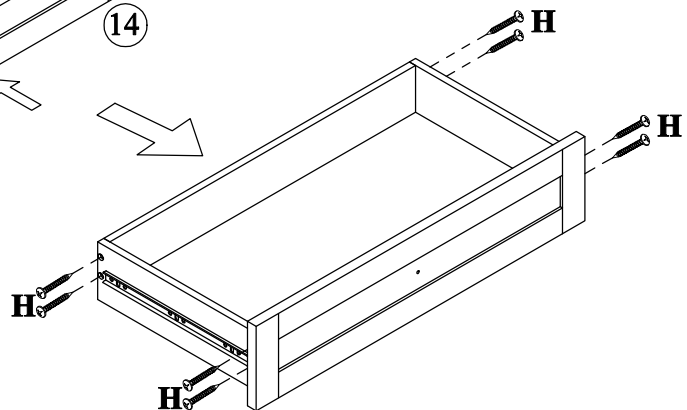
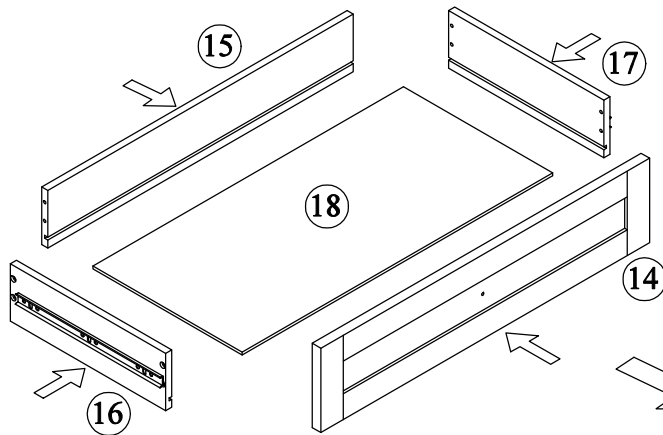


POSITION OF SCREW


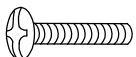


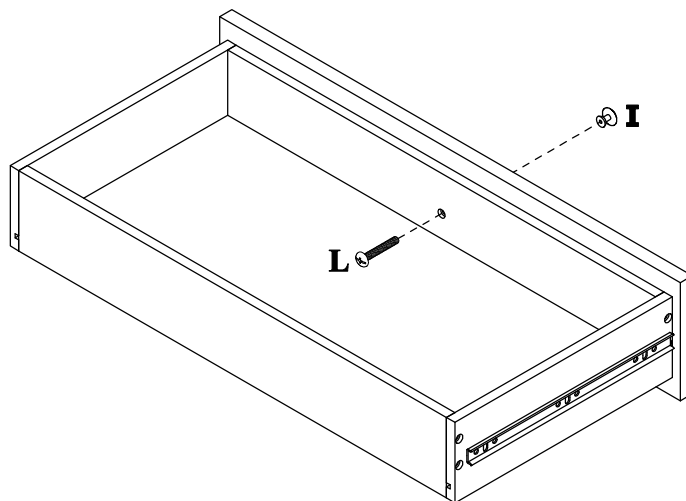
STEP: 13

H	
	8PCS


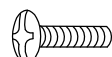
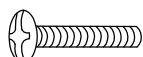



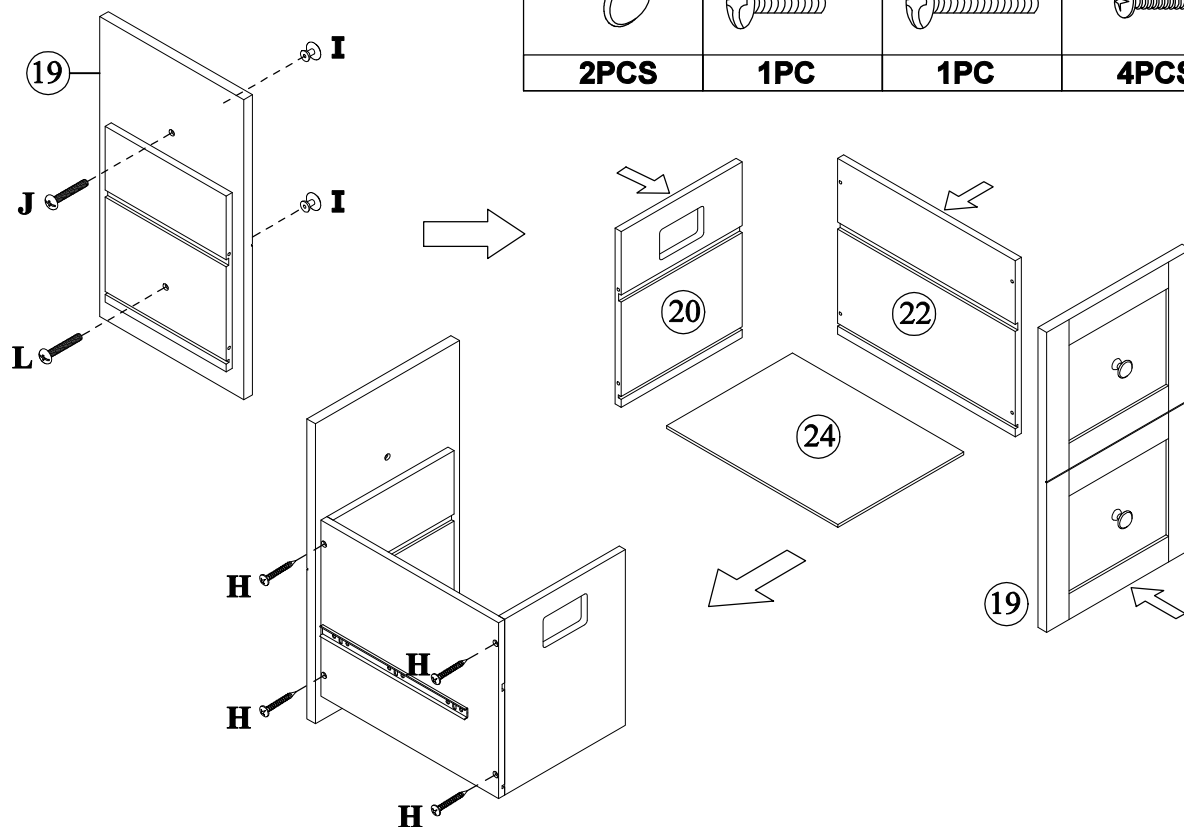
STEP: 14

I		L	
	1PC		1PC



STEP: 15

I		J		L		H	
	2PCS		1PC		1PC		4PCS

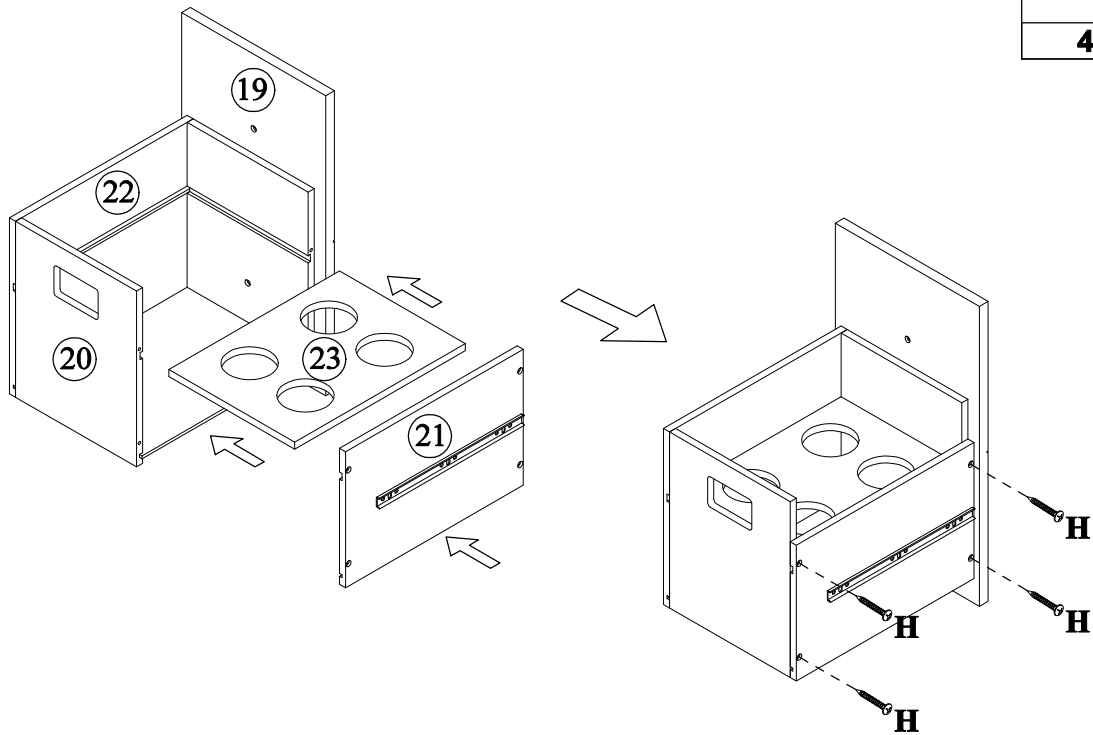


STEP: 16

H



4PCS



STEP: 17

S

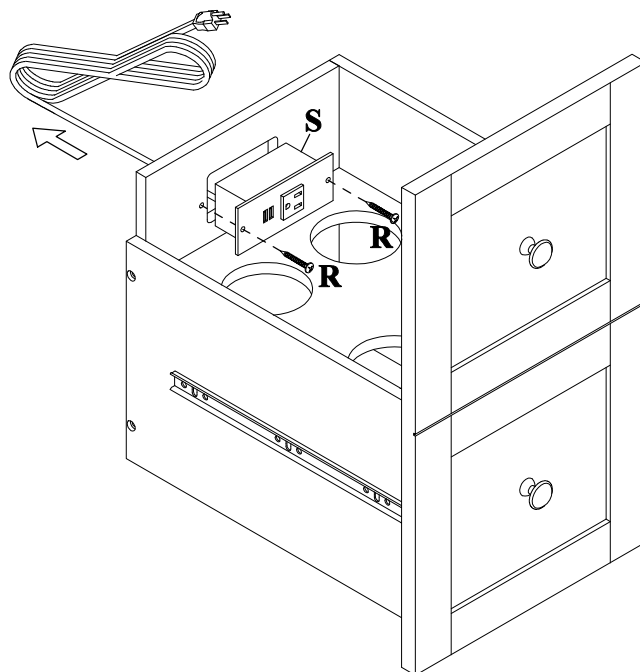


1PC

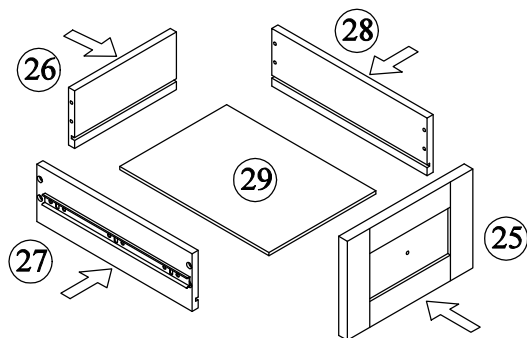
R


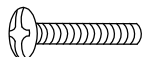



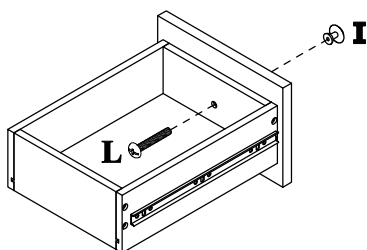
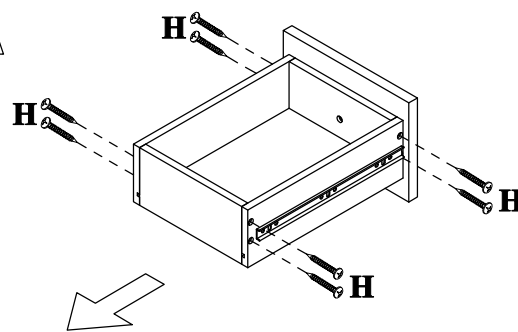
2PCS



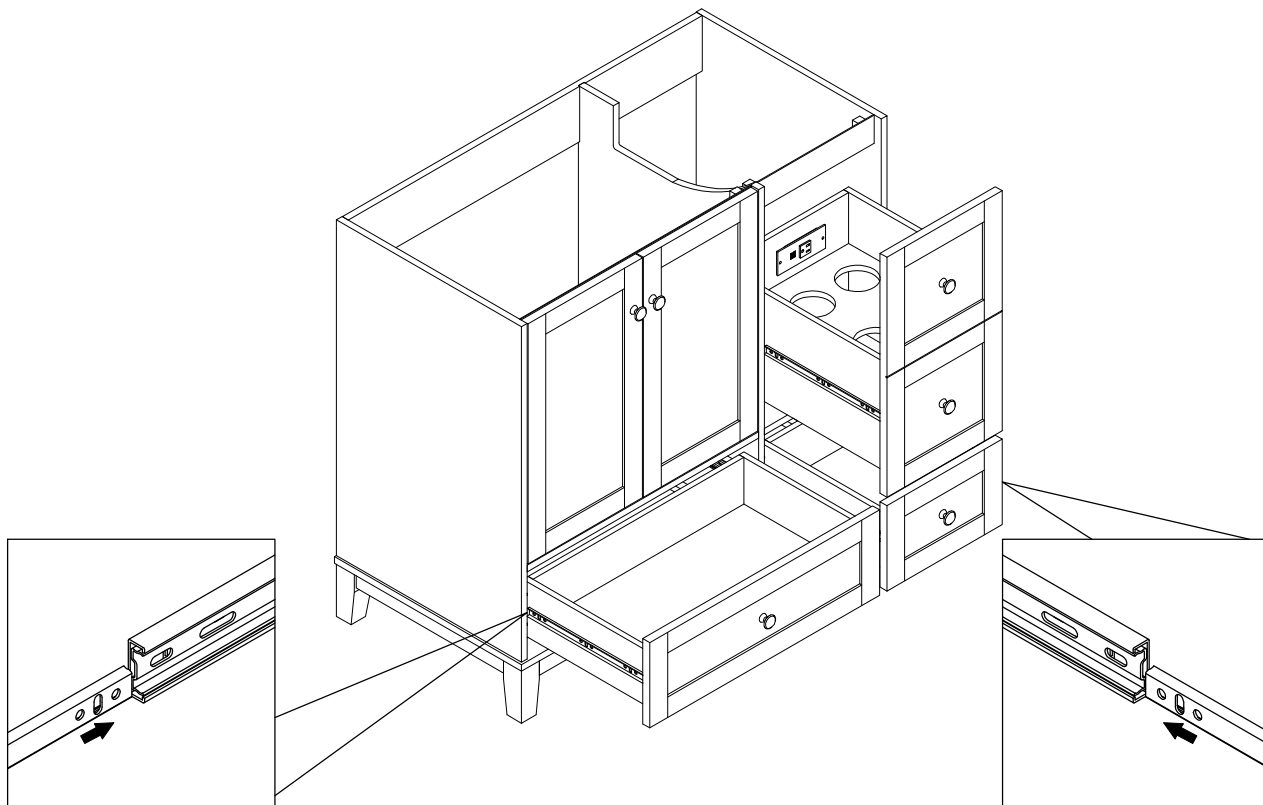
STEP: 18



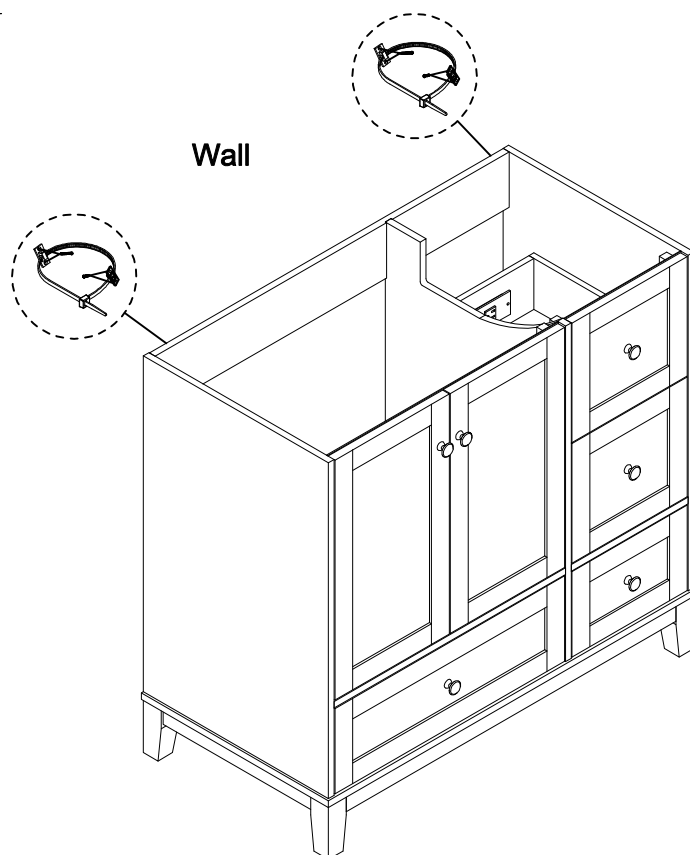
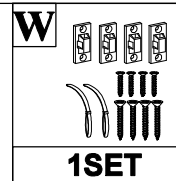
I	L	H
		
1PC	1PC	8PCS



STEP: 19

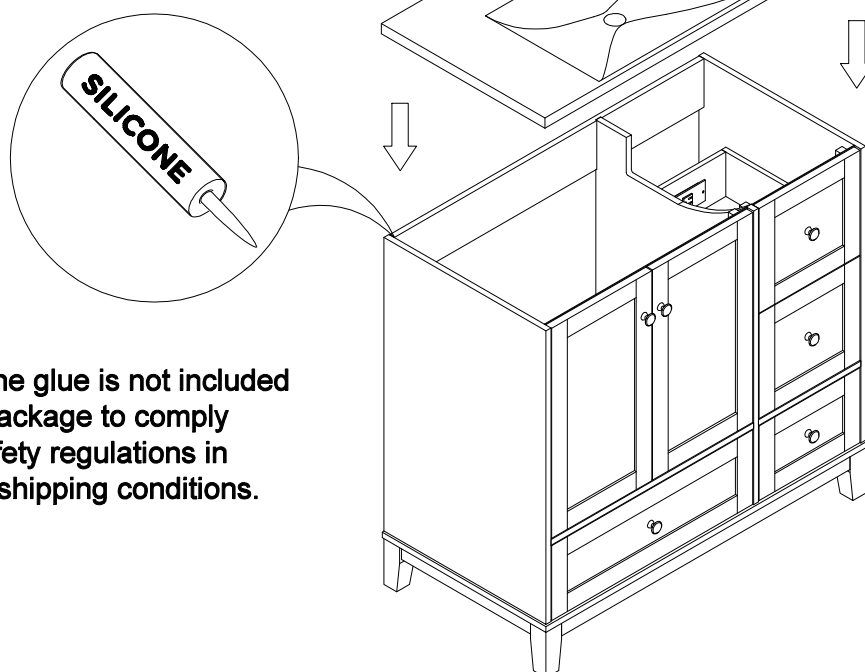


STEP: 20



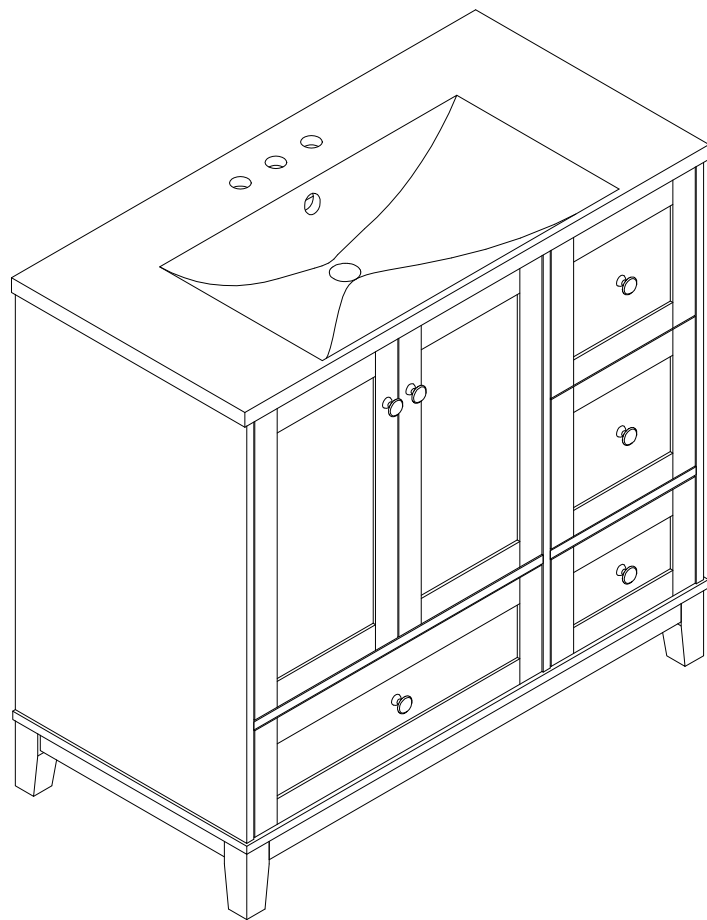
STEP: 21

Install the sink on the cabinet with glue.
Let stand for 24 hours



*Silicone glue is not included
in the package to comply
with safety regulations in
certain shipping conditions.

STEP: 22

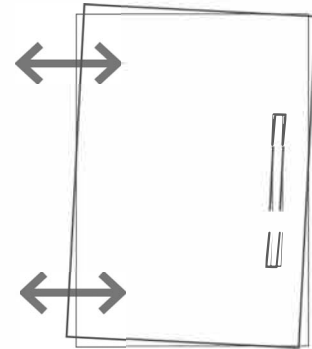


HINGE ADJUSTMENTS



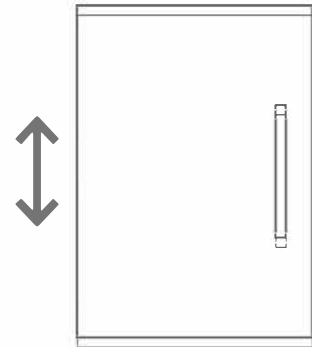
1 Sideways / Tilt adjustment

Turn the screw
clockwise to move the door further away from
the side of the cabinet
anticlockwise to move the door closer to the
side of the cabinet



2 4 Height adjustment

While supporting the weight of the door, turn the
screws
clockwise to move the door up
anticlockwise to move the door down



3 Forward and back adjustment

If the gap between the back of the door and the
cabinet is too small, and the door may not close
fully. Turn the screw
clockwise to decrease the gap between the
door and the cabinet
anticlockwise to increase the gap between the
door and the cabinet

