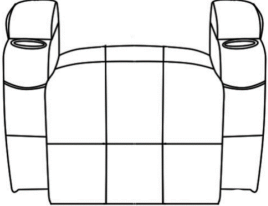
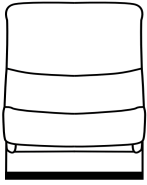



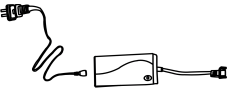


Assembly Instructions

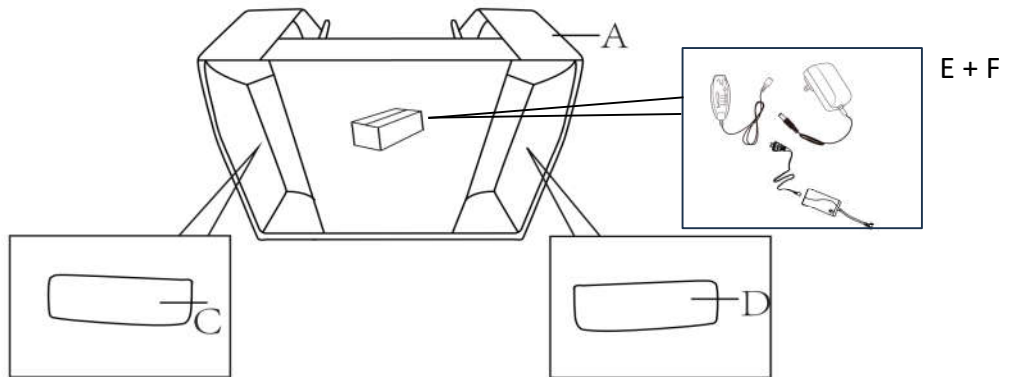
Your recliner comes packaged in one box. Carefully remove all of components from the packaging and set aside for assembly.

CAUTION:
DO NOT use any sharp objects to open plastic wrapped components as damage to product or components may result.

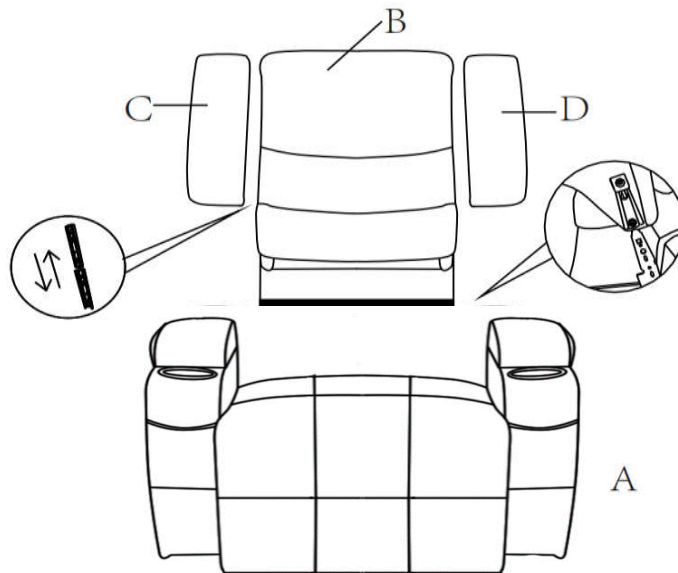
Package Contents

			
<p>A 1*SEAT BODY</p>	<p>B 1*BACKREST</p>	<p>C 1*LSF EAR</p>	<p>D 1*RSF EAR</p>
			
<p>E 1*CONTROLLER & POWER CORD</p>	<p>F 1*POWER KIT</p>		

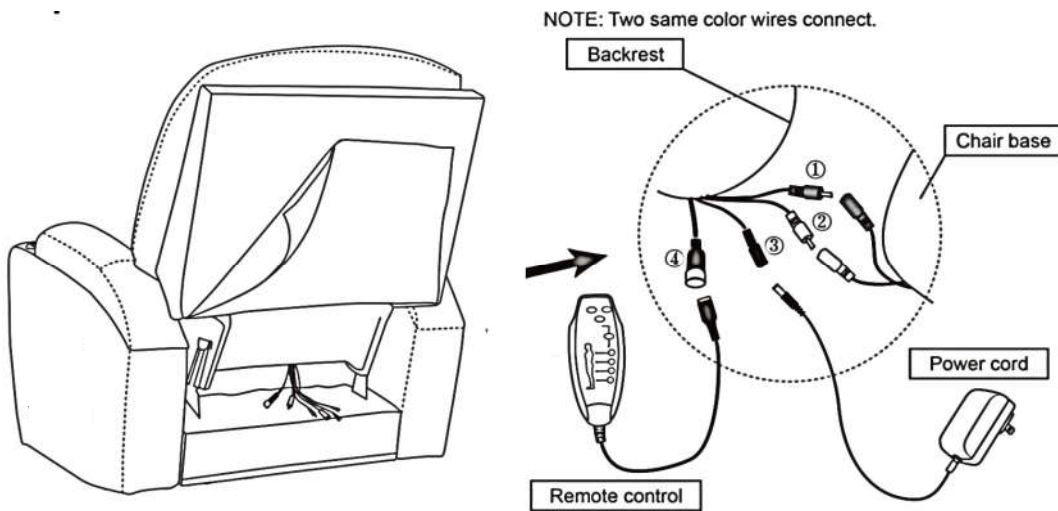
Step 1 The chair's ears and the hardware are put under the chair



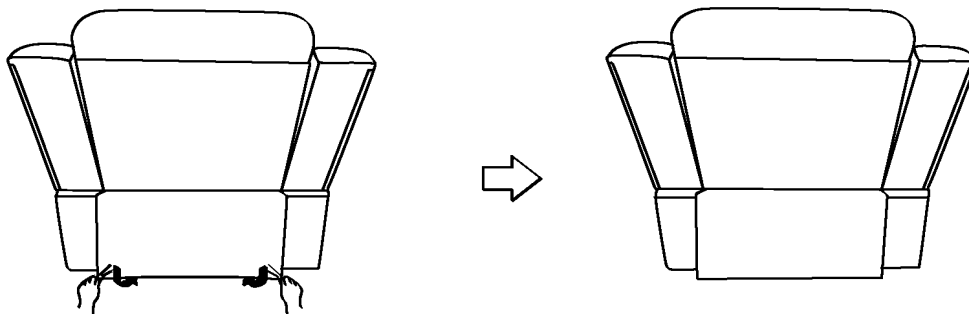
Step 2 Attach Backrest (A) to Seat Body (B) and Attach Left Ear (C) and Right Ear (D) to Backrest (A).



Step 3: Connect the controller (E) and the power kit (F) to the chair

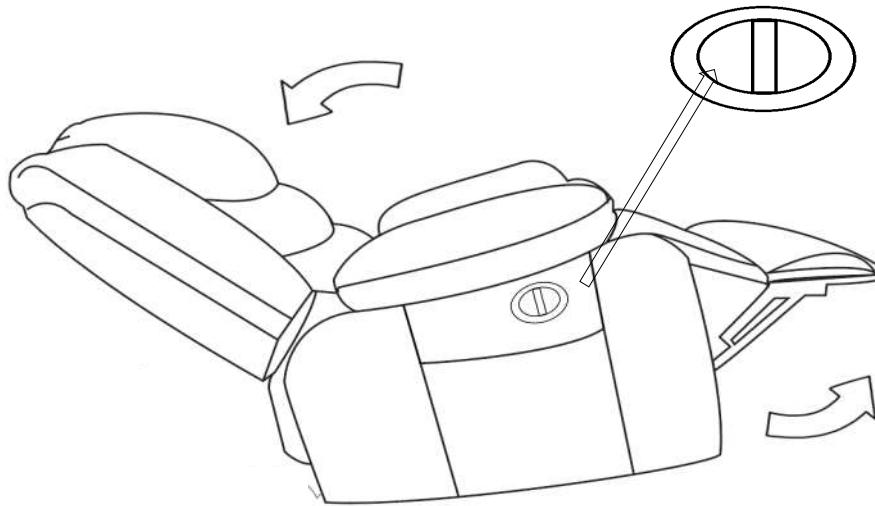


Step 4: Cover back of Seat Body by velcro.

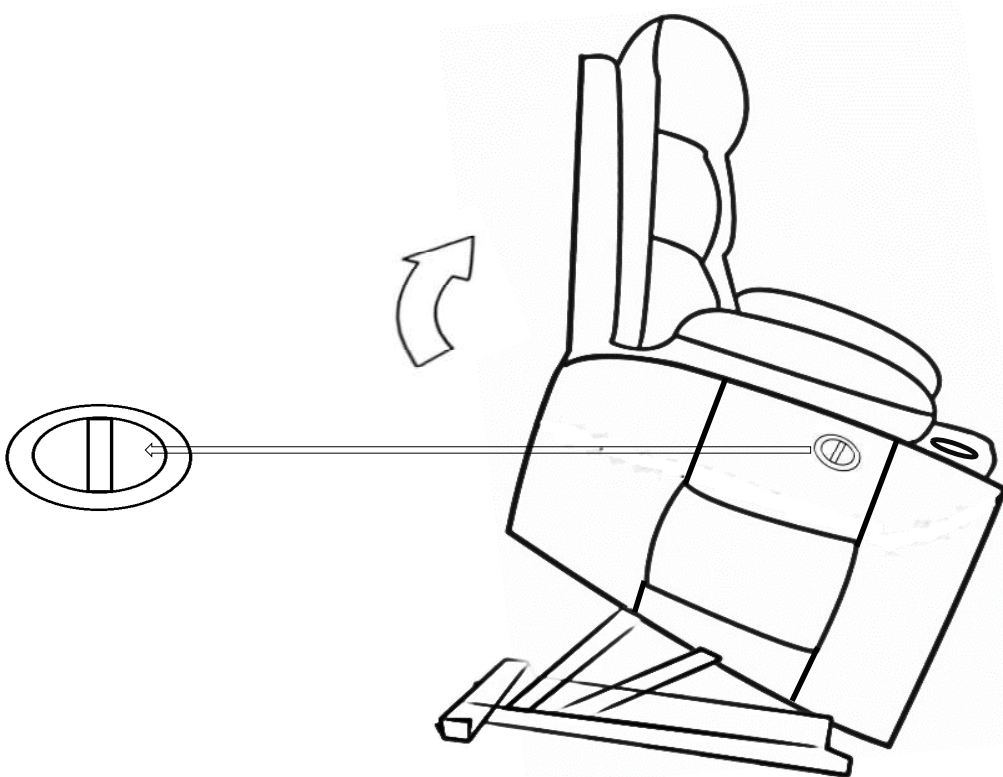


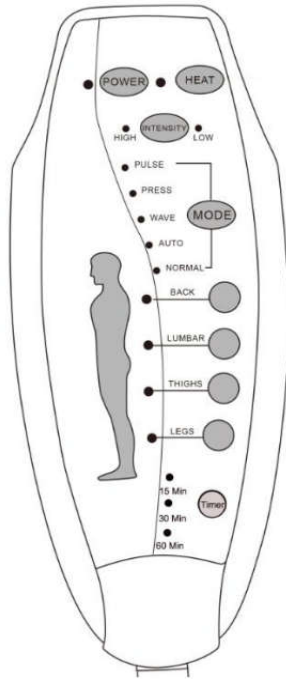
Use below keys to recline and lift the chair

Press the back button to recline the chair and lower the backrest



Press the front button to lift the chair up





How to use remote control?

POWER : Turn on/off remote control

HEAT : Turn on/off heat function

INTENSITY : Control massage function from low to high

MODE : Choose one massage mode you like (pulse, press, wave, auto, normal)

You can choose 1-4 massage parts (back, lumbar, thighs, legs) to enjoy.

You can choose 15Min, 30Min or 60 Min timer for massage and heating.

ATTENTION!!

Ensure the backrest is fully inserted to the bottom along the metal slot to avoid tilting or moving. And please not sit on the armrests for the user's safety.

Warnings

1. Please check if the components of the chair are all included and can be used normally.
2. Assemble all components according to the instruction correctly before you connect the chair to the power.
3. Please DO NOT sit on the armrests or footrest to eliminate the risk of tipping over.
4. If the chair is damaged or doesn't match the website description, please send clear pictures of the product and label of the carton to our service team for further help
5. If the recliner doesn't work, you may try the following measures for self-checking firstly:
 - a) Check if all the cables are connected;
 - b) Check if the light of transformer is on.

If the chair still doesn't work, please feed the information back to our customer service in time and we'll help you solve the matter as soon as possible.

