

ACCENT CHAIR

Read these instructions carefully. Ensure that all parts are complete before assembling.

A



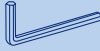
Flat Washer x9

B



Spring Washer x9

C



Allen Key x1

D



M8*60 Bolt x1

E



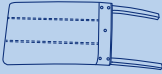
M8*65 Bolt x4

F



M8*75 Bolt x4

G



Chair Back x1

H



Chair Seat x1

I

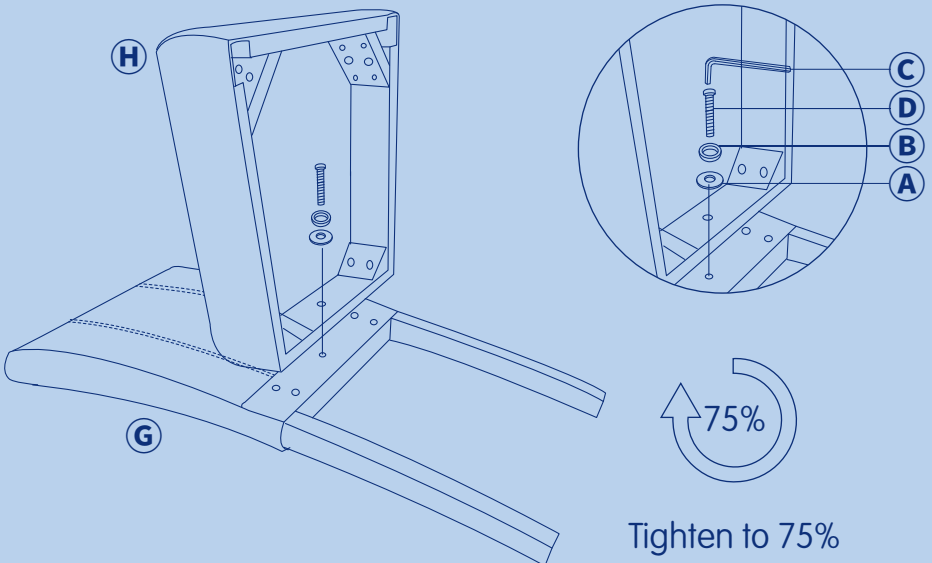


Front Leg x2

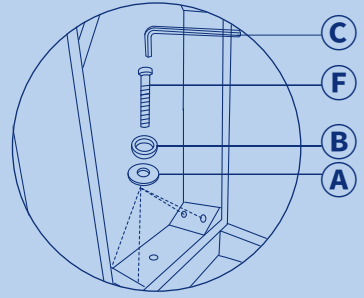
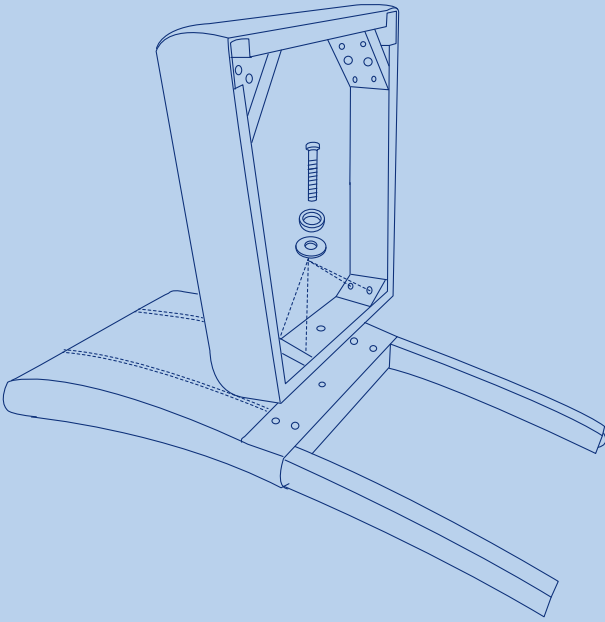


When operating the electric screwdriver, please exercise caution to prevent over-tightening, as it may result in stripped holes. Be mindful not to scratch any components during use.

Step 1

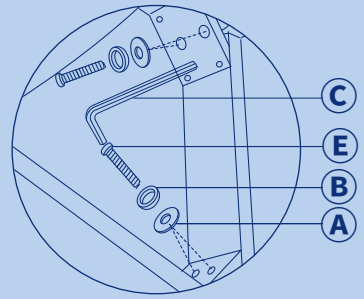
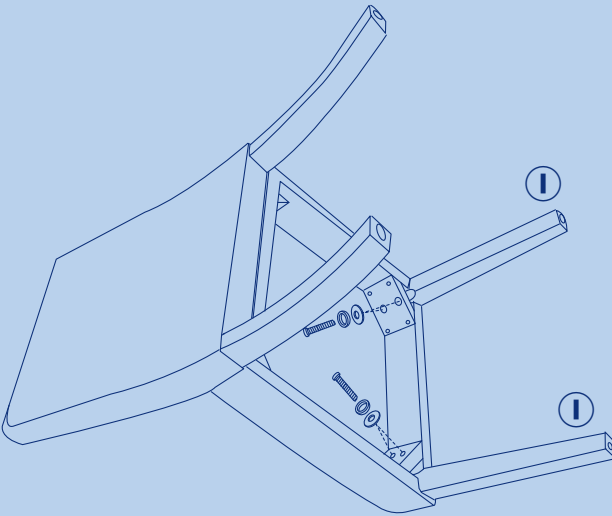


Step 2



Tighten to 75%

Step 3

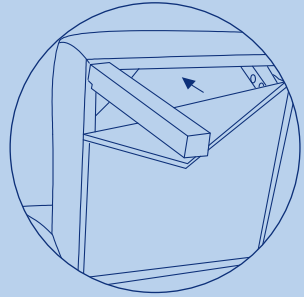
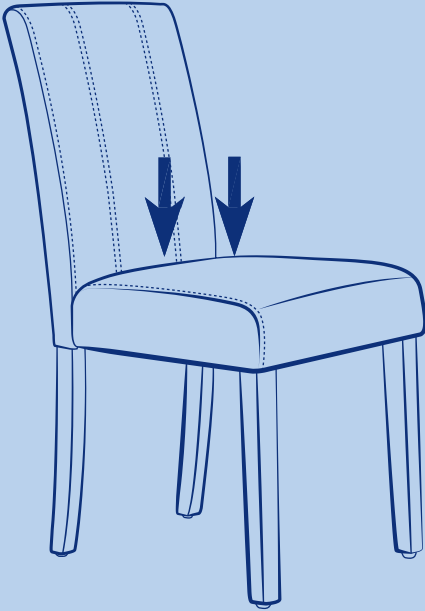


Tighten to 75%

Step 4

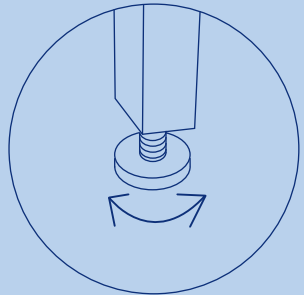
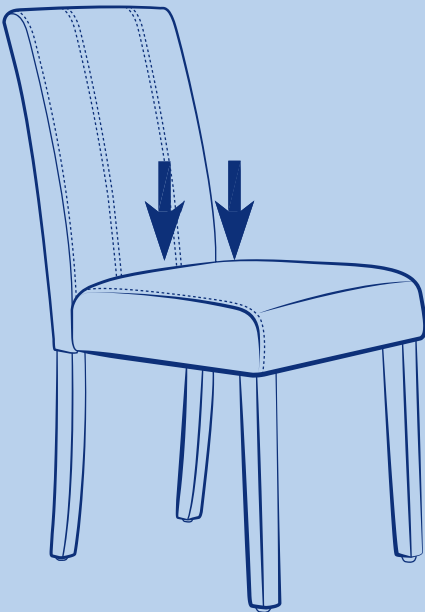


To ensure the chair is stable on the ground and don't need any adjustment, tighten all the screws to 100%.
Your safety is our priority.



Seal the fabric cover back under the chair once it's fully assembled.

Step 5



Utilize the adjustable foot pads to level the bar stool as needed.