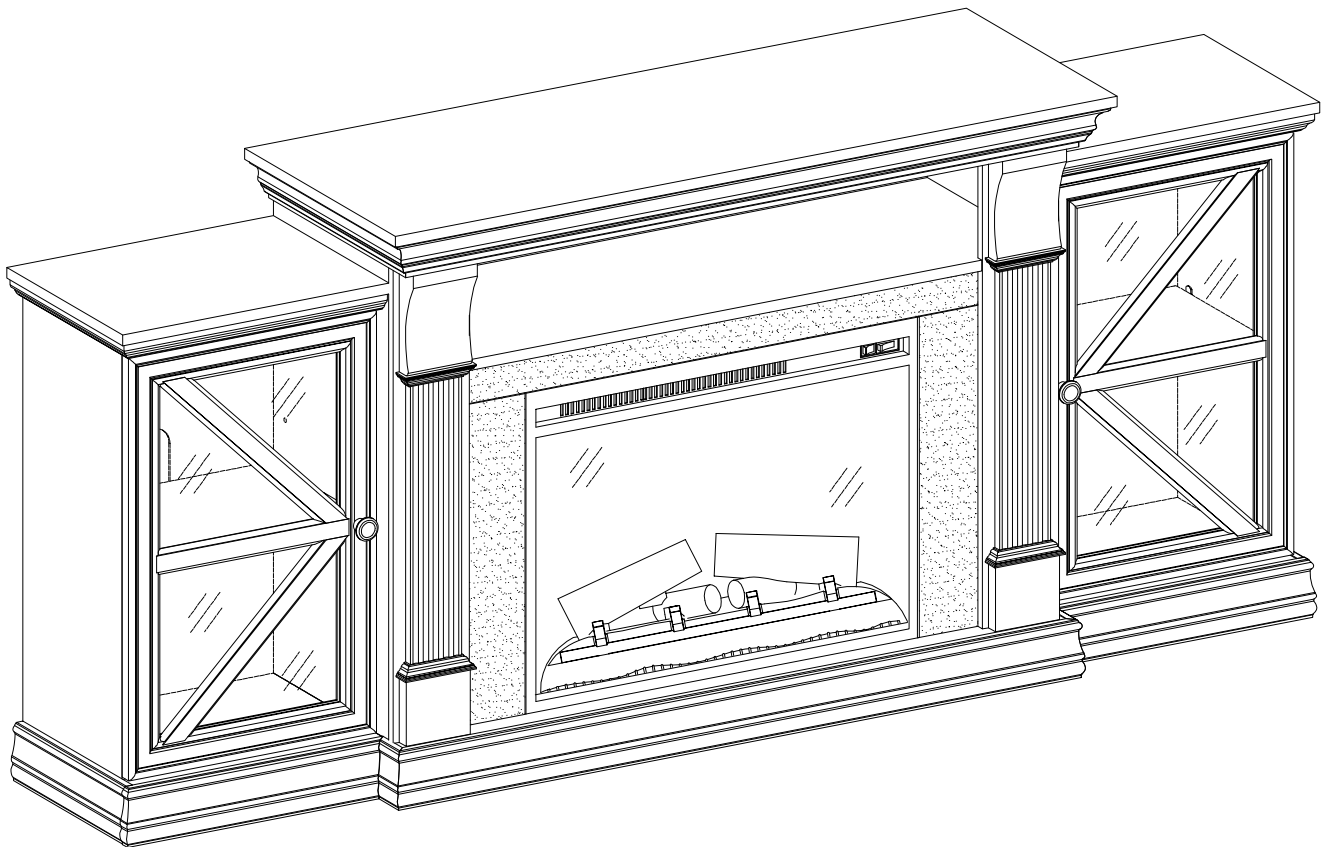


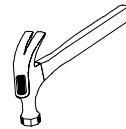
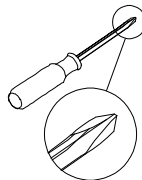
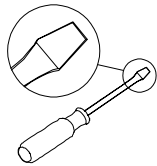
# ASSEMBLY INSTRUCTIONS



**SAFETY TIPS:**Static charge may cause dust on foam – clean with a dry or damp cloth. Small foam strands may be present – handle gently and dispose of properly. Do not burn or incinerate. Check local recycling guidelines.

# Before You Start

1. Read through each step carefully and follow the proper order.
2. Separate and count all your parts and hardware.
3. Give yourself enough room for the assembly process.
4. Assemble this product on the empty carton or carpet to avoid scratching.
5. Two people are recommended for ease in the assembly of this product.
6. Keep all small parts of this product away from children. They may cause serious injury.
7. Have the following tools: Flat Head Screwdriver, #2 Phillips Head Screwdriver and Hammer.

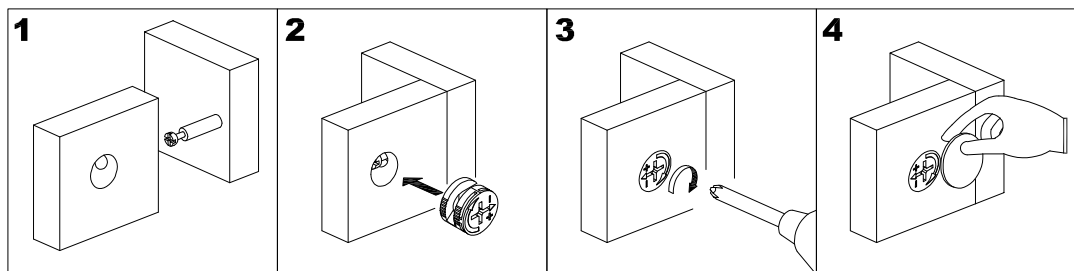


8. Note: Power tools should not be recommended to assemble this product. If using a power drill or power screwdriver for screwing, please be aware to slow down and stop when the screw is tight. Failure to do so may result in stripping the screw.

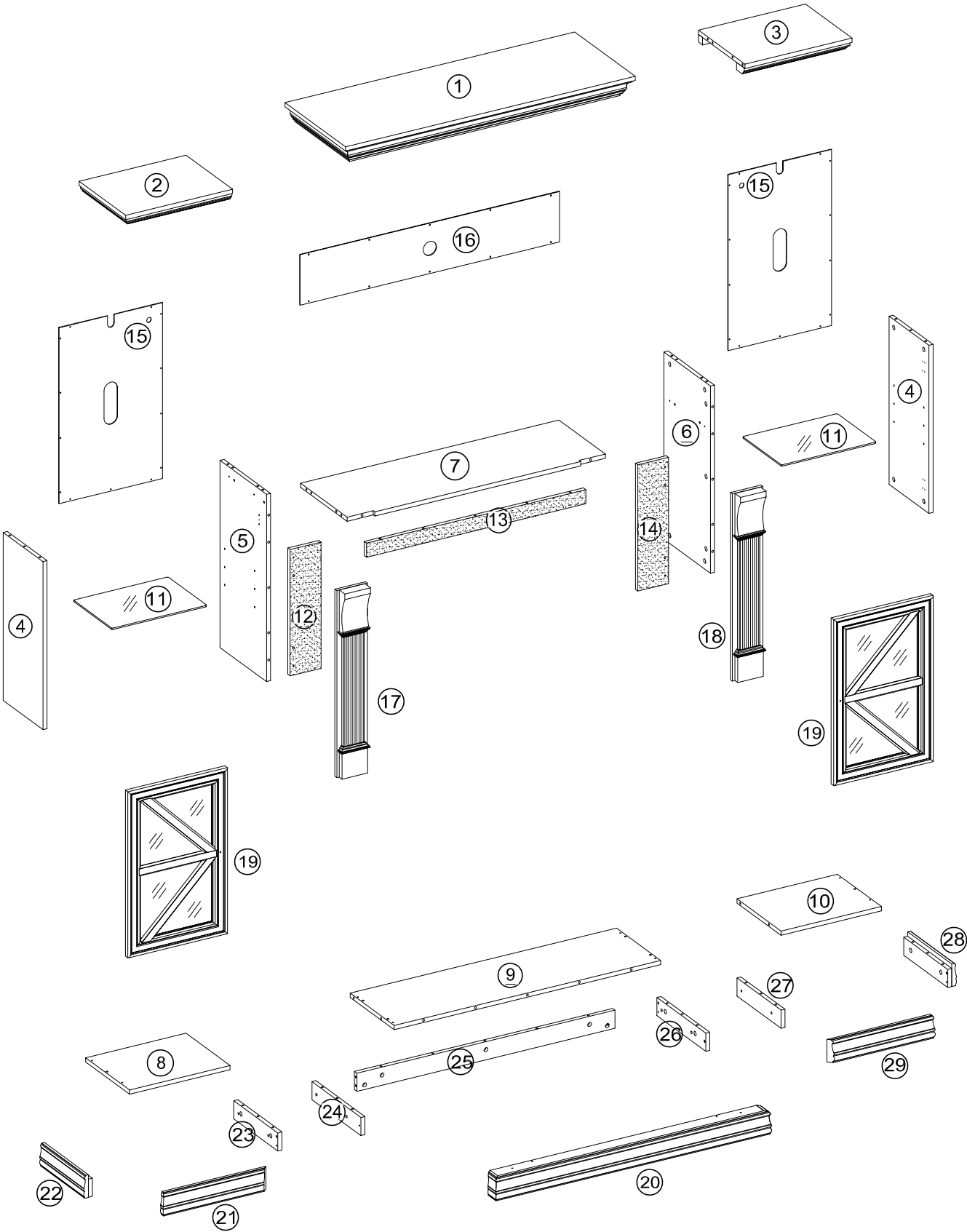
---

## HOW THE KNOCK DOWN (KD) ASSEMBLY SYSTEM WORKS

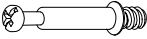




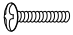
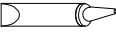

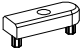
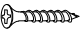

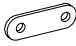
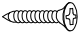


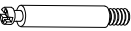
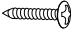
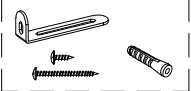
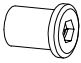

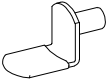
1. Screw the Cam Bolt into the pre-drilled hole on the panel. Make sure the Cam Bolt goes into the pre-drilled hole on the end of the panel for the Cam Lock.
2. Insert the Cam Lock into the pre-drilled large hole on the panel. Make sure the arrow on the face of the Cam Lock points towards the Cam Bolt.
3. Take a Phillips screwdriver and rotate the Cam Lock clockwise to lock the Cam Bolt.
4. Use the sticker to conceal the Cam.



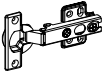
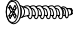



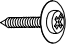
# PARTS LIST



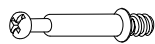
# HARDWARE LIST

A		Ø6x35mm	Cam bolt	64 pcs
B		Ø15x11mm	Cam lock	67 pcs
C		Ø30mm	Cam cover	67 pcs
D		Ø8x30mm	Wooden dowel	48 pcs
E			Knob	2 pcs
F		Ø4x22mm	Knob Bolt	2 pcs
G			Glue tube	1 pc
H		M 4	Hex key	1 pc
I			Door stopper	2 pcs
J		Ø4x25mm	Screw	6 pcs
K		Ø6x25mm	Bolt	4 pcs
L			Metal plate	2 pcs
M		Ø3.5x14mm	Screw	6 pcs
N		Ø3x12mm	Screw	8 pcs
O			Clip	4 pcs
P		Ø6x50mm	Cam bolt	3 pcs
Q		Ø4x12mm	Screw	6 pcs
R			Tipping restraint	2 set
S		M6x12mm	Nut	4 pcs
T			Barrel Nut	3 pcs
U			Shelf support	8 pcs

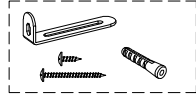
# HARDWARE LIST

V		Ø35mm	Europe Hinge	4 pcs
W		Ø3.5x14mm	Hinge Screw	24 pcs
X		RV23V80L -MT3	Fireplace Insert	1 pc
Y		Ø8x20mm	Wood dowel	4 pcs
Z			Led strip light	2 pcs
AA		Ø3.5x14mm	Screw	40 pcs

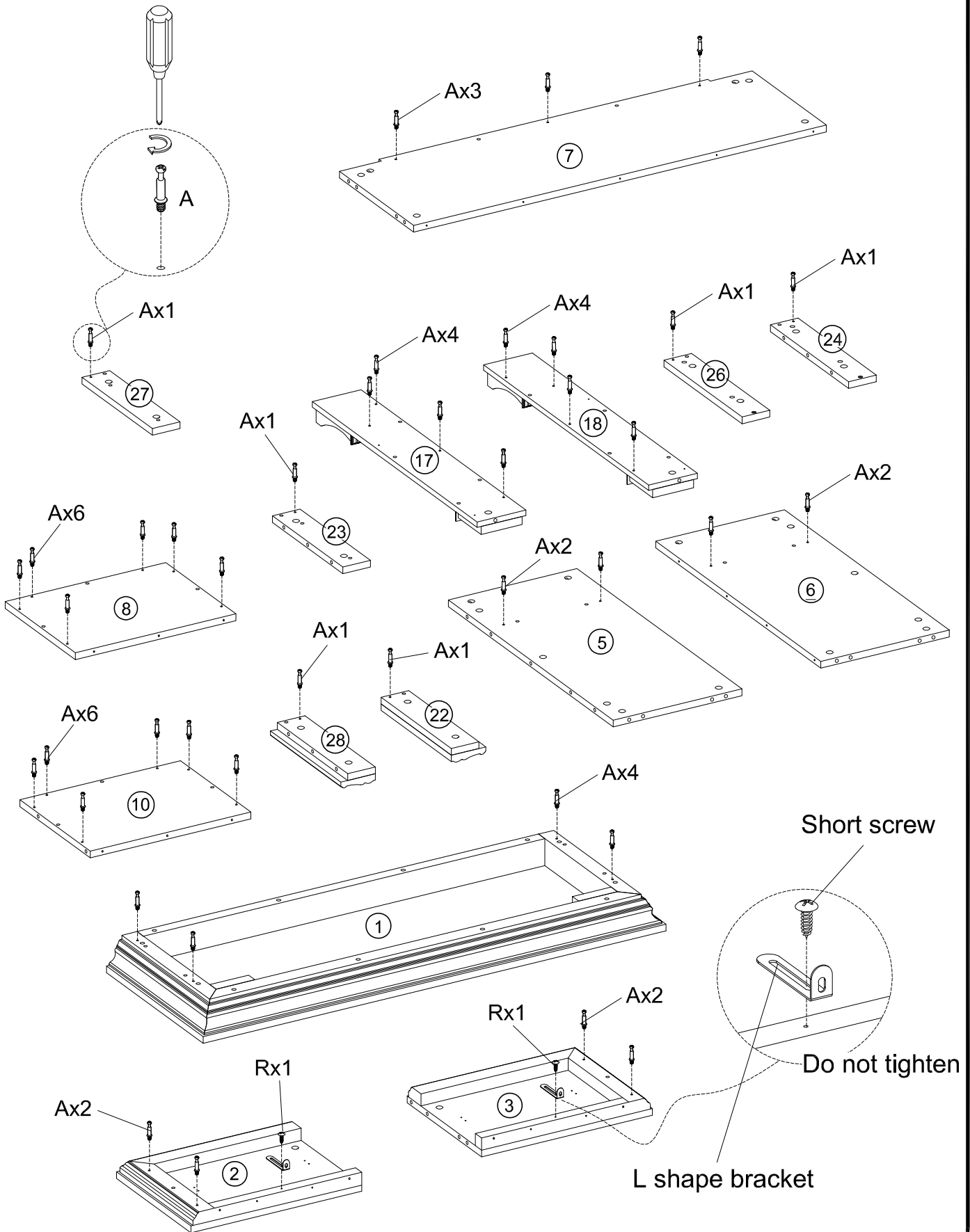
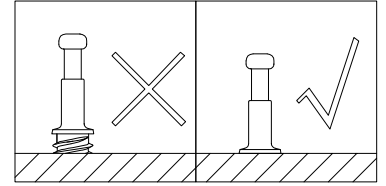
# STEP 1



Ax41



Rx2



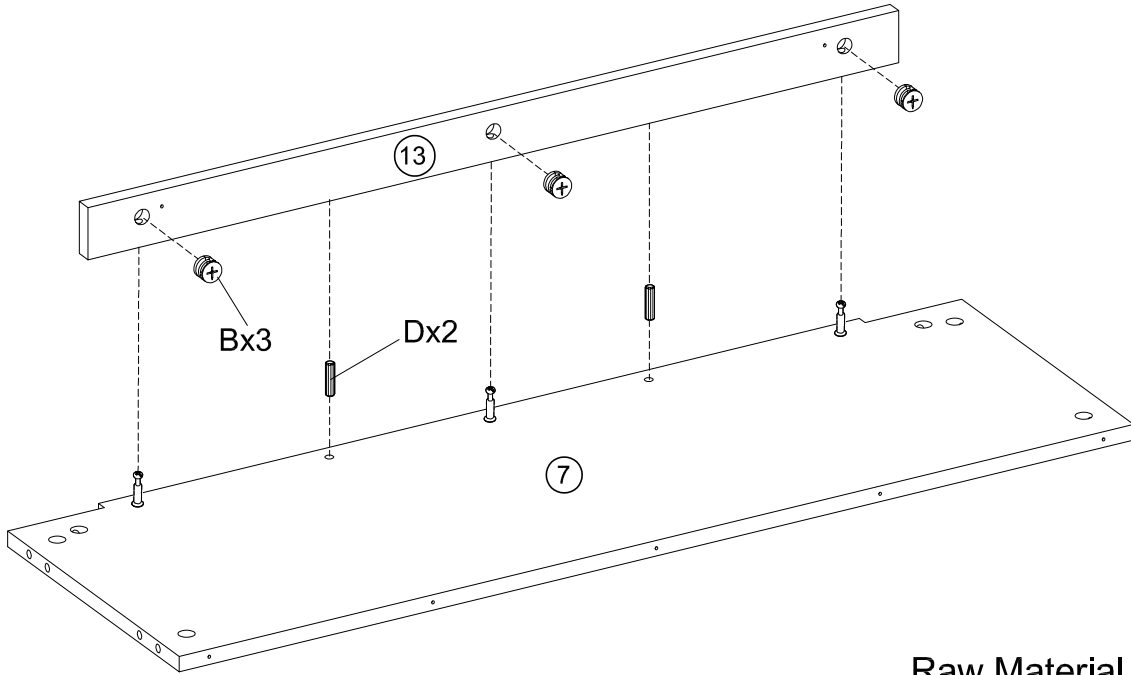
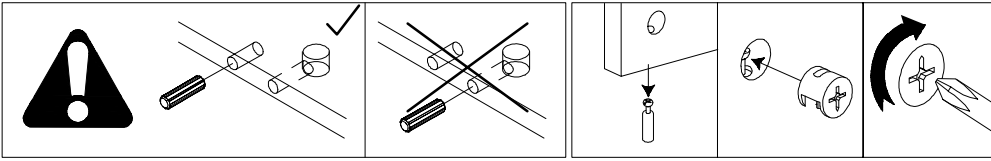
# STEP 2



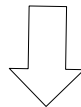
Dx6



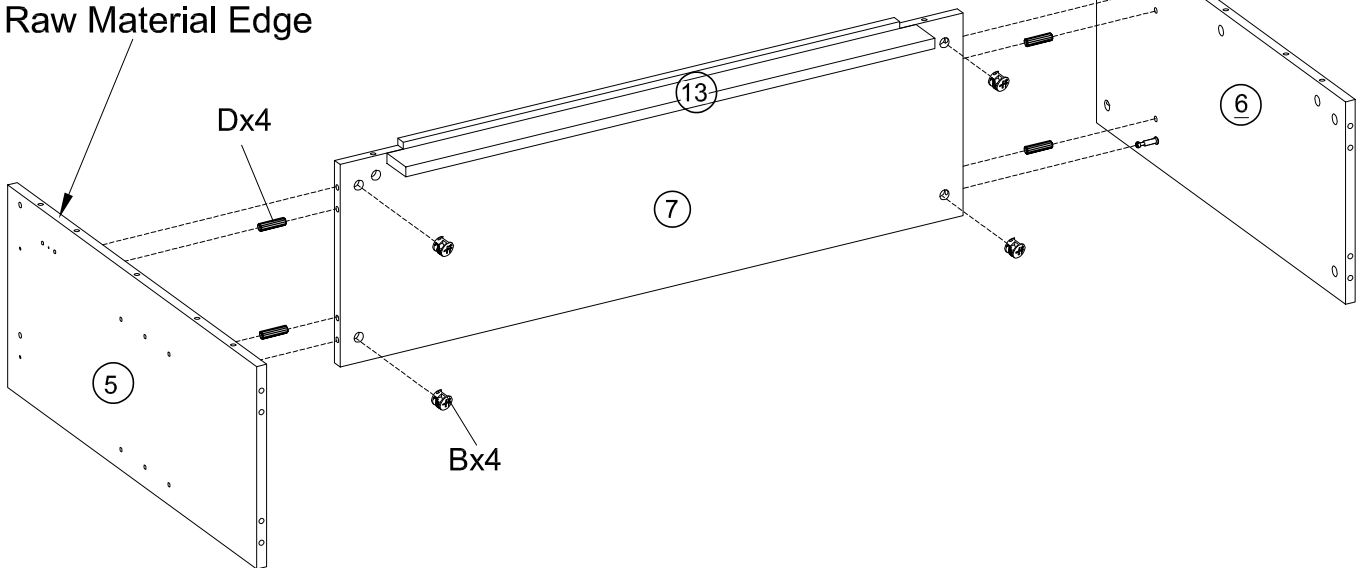
Bx7



Raw Material Edge



Raw Material Edge



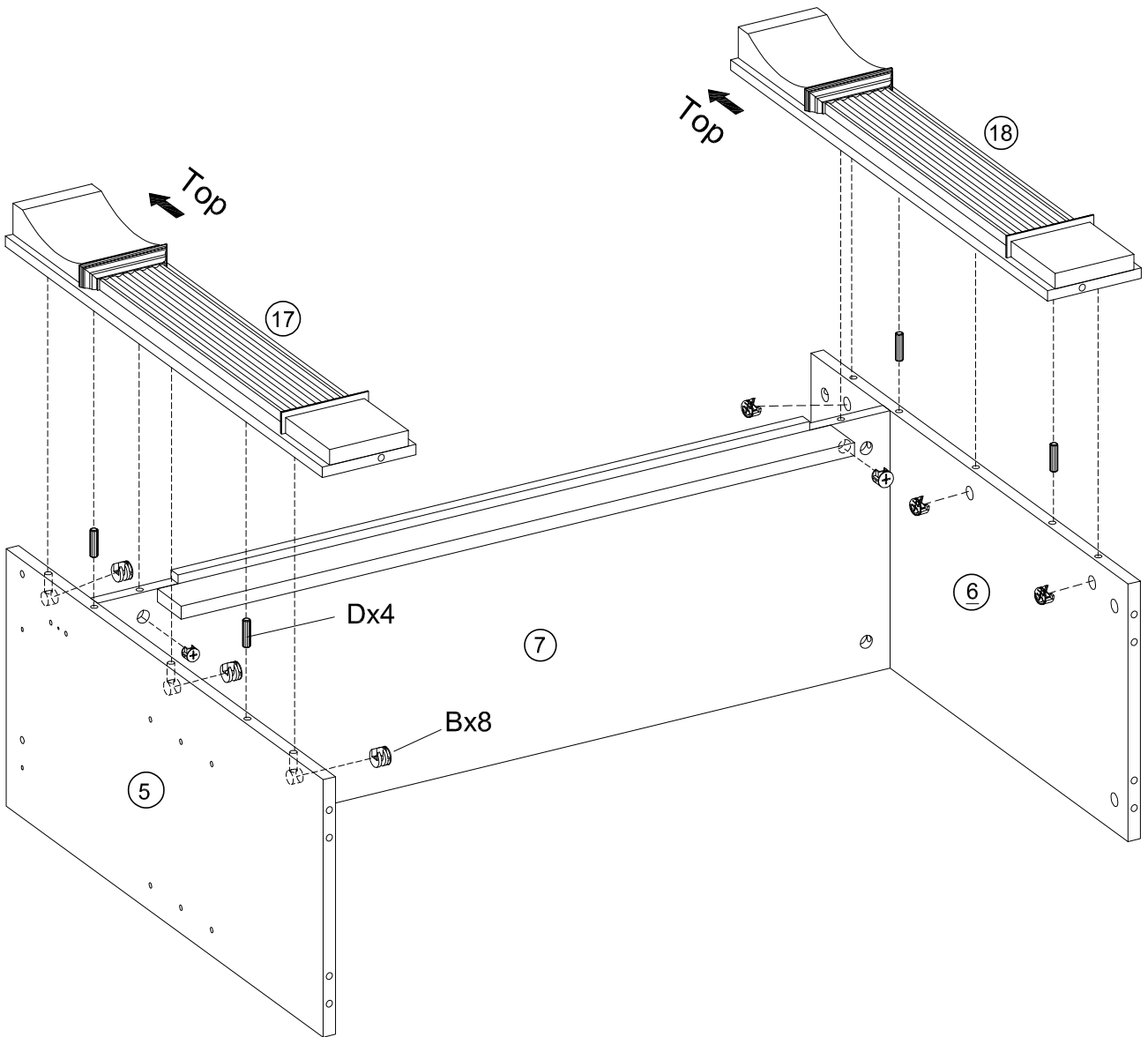
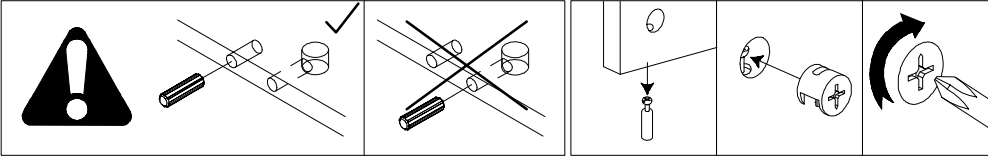
# STEP 3




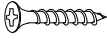

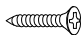
Dx4



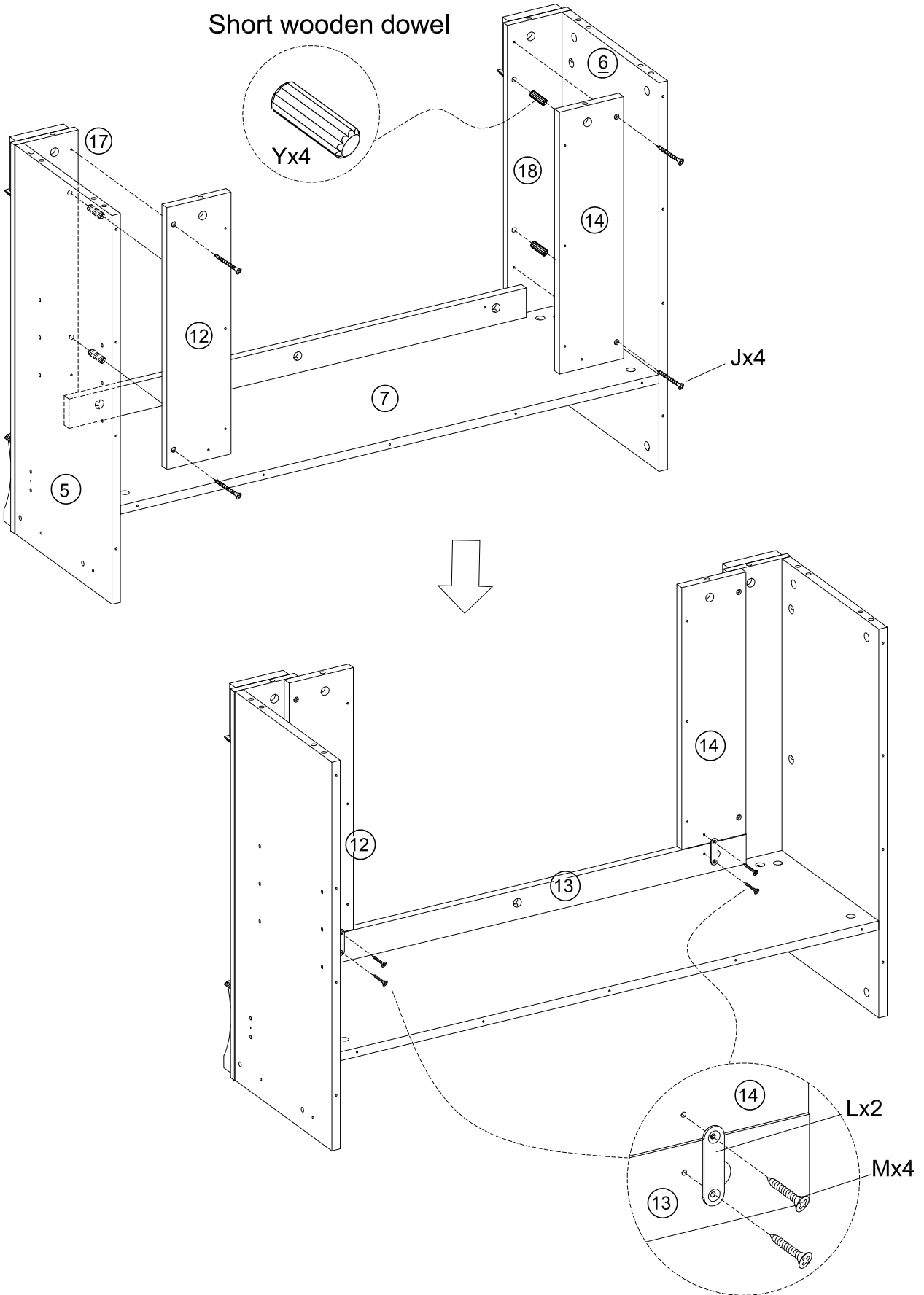
Bx8



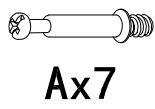
# STEP 4

			
Yx4	Jx4	Lx2	Mx4

Short wooden dowel



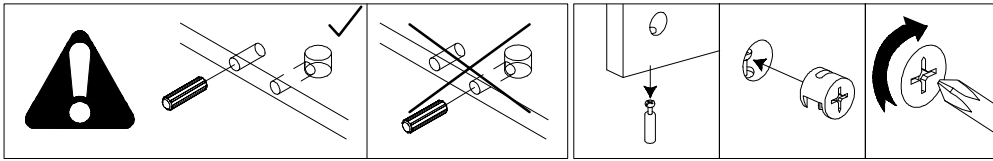
# STEP 5



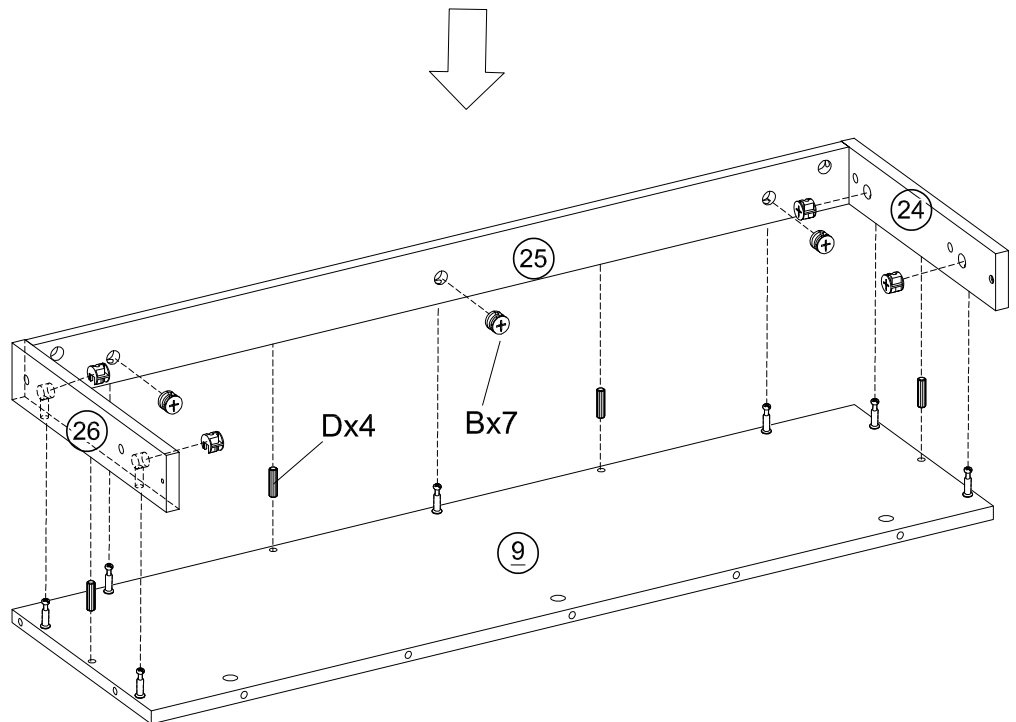
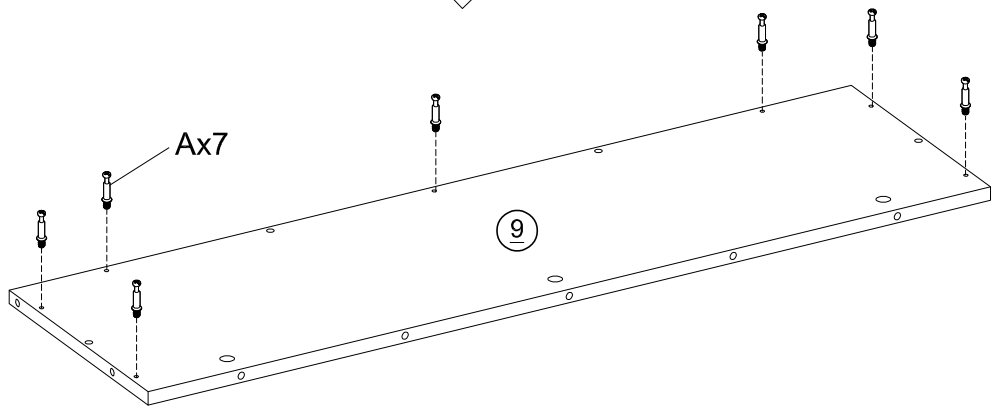
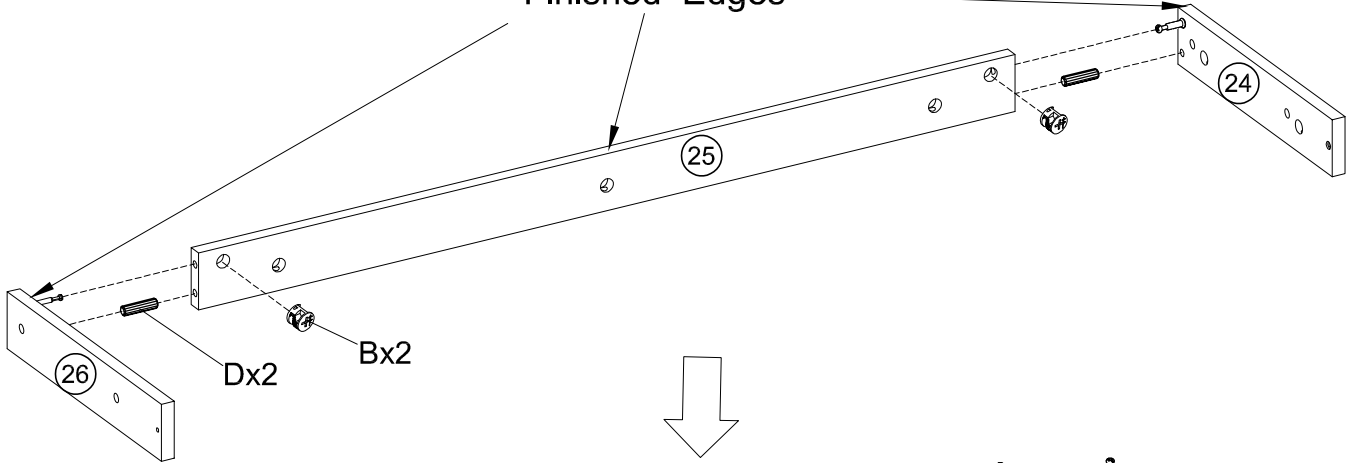
Ax7

Dx6

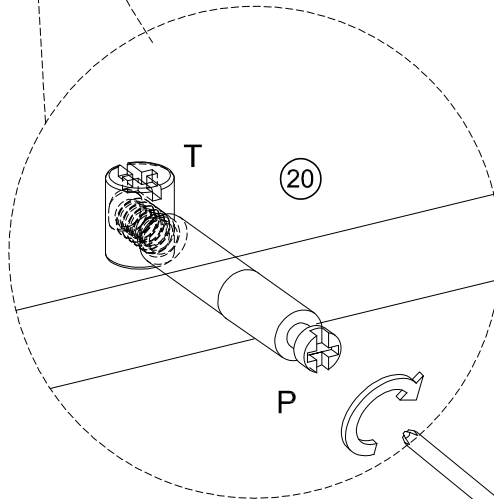
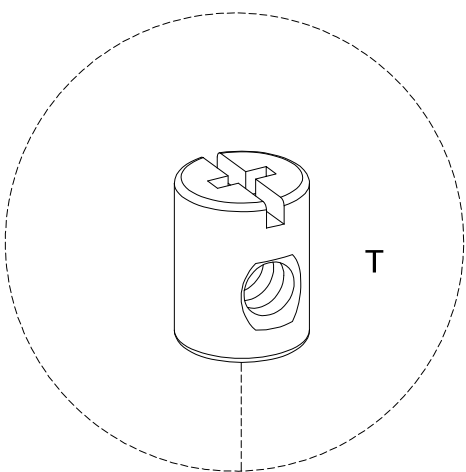
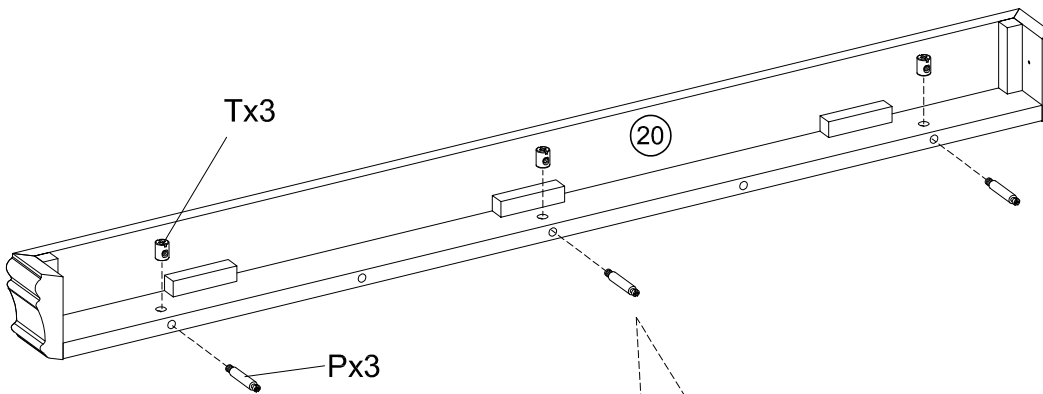
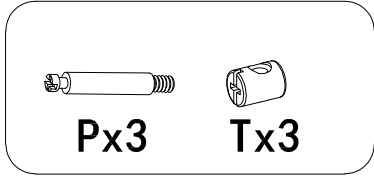
Bx9



Finished Edges

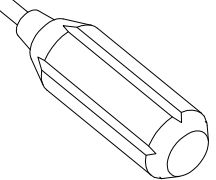


# STEP 6



Tighten this bolt

Keep the thread hole of the barrel nut (T) outwards and then insert the nut into the hole of wood part (20) as above illustration. Insert the cam bolt (P) into the side hole of the wood part (20) and then securely screw the cam bolt (P) into the thread hole of the barrel nut (T) as above illustration.



# STEP 7



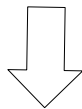
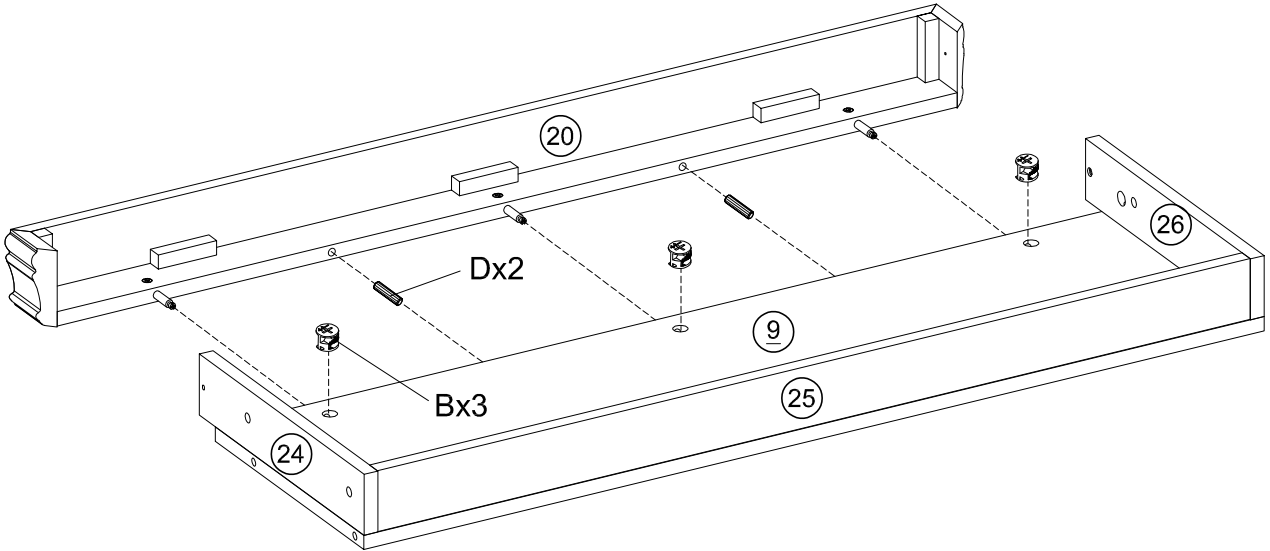
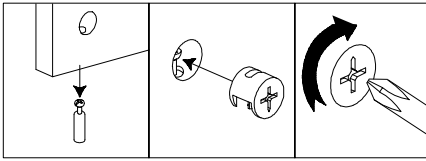
Dx2



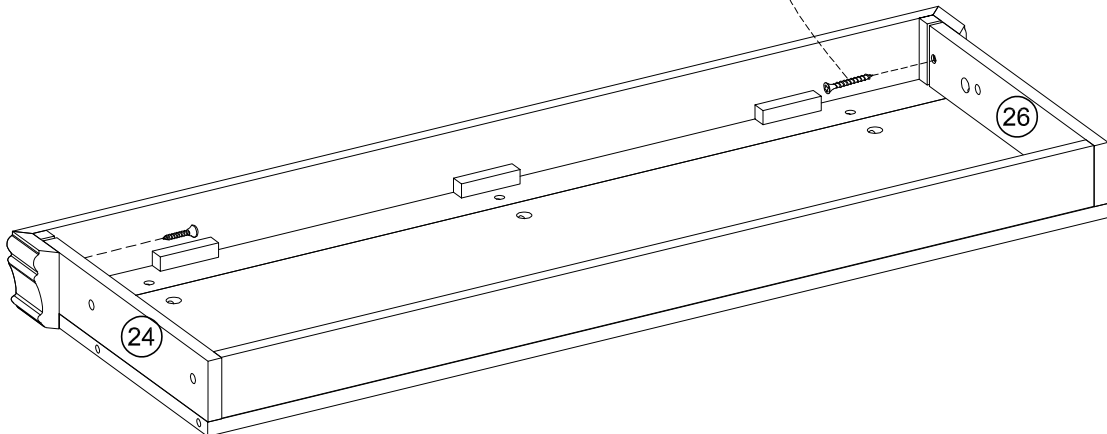
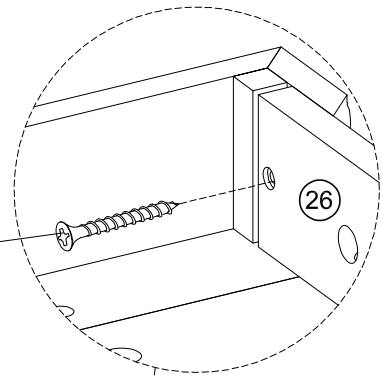
Bx3



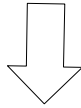
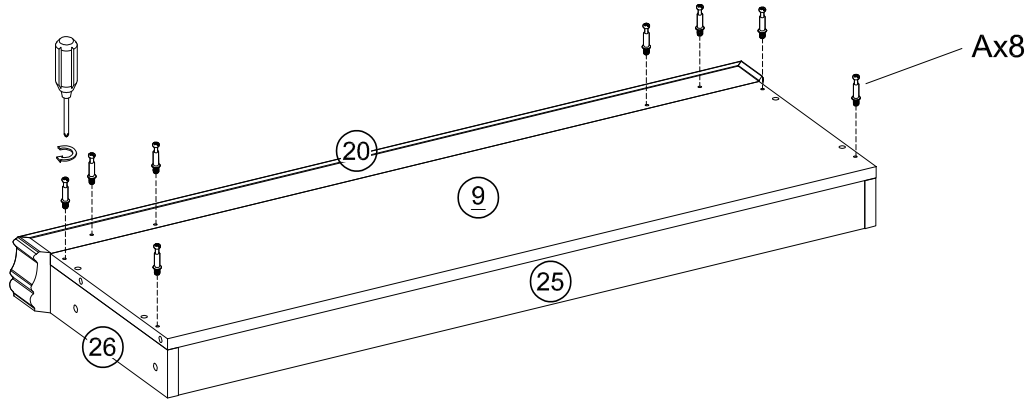
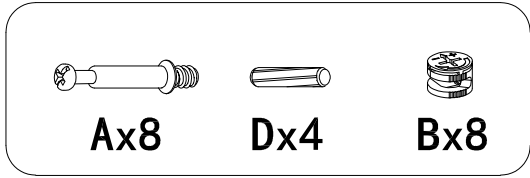
Jx2



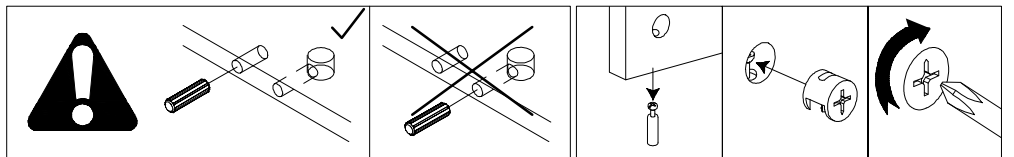
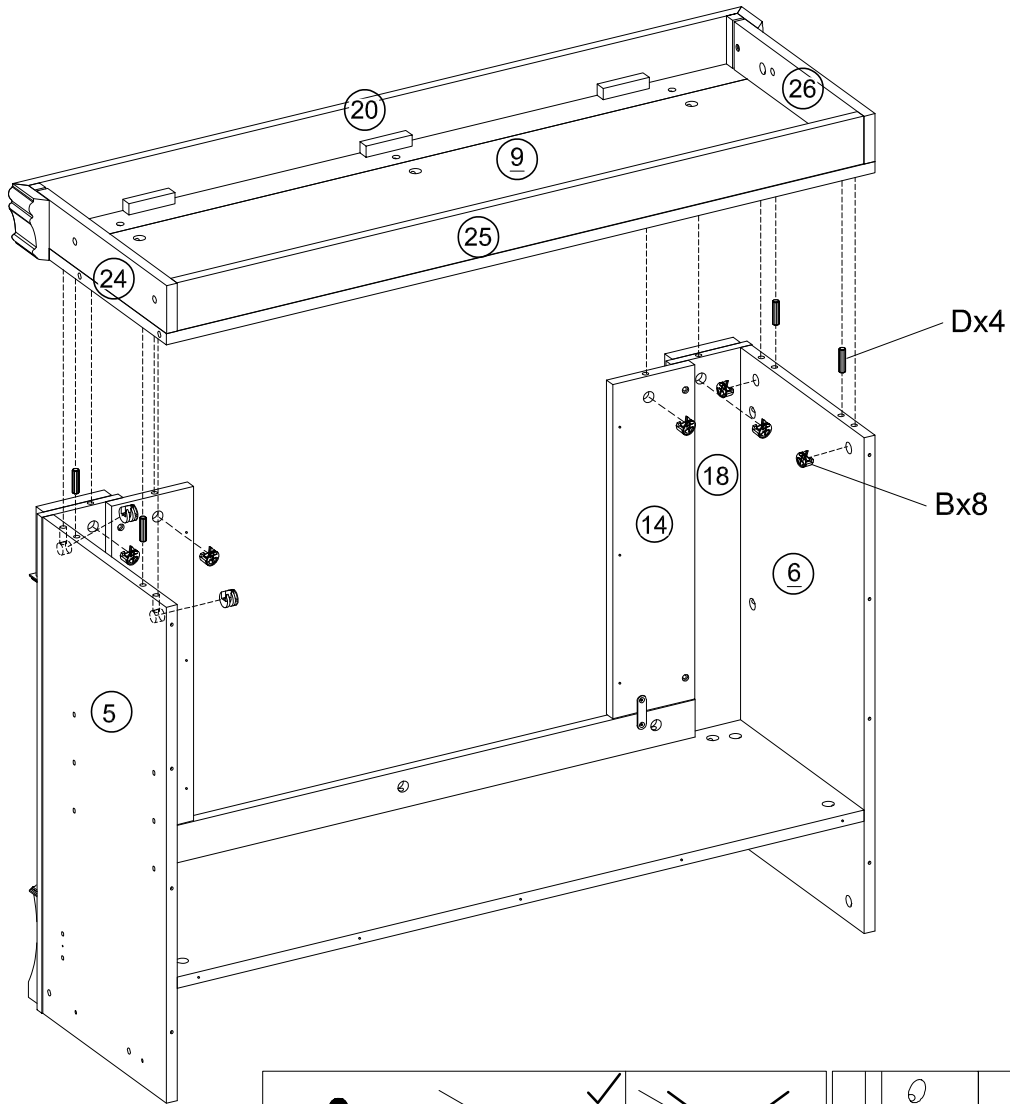
Jx2



# STEP 8



An assistance is required with this step.



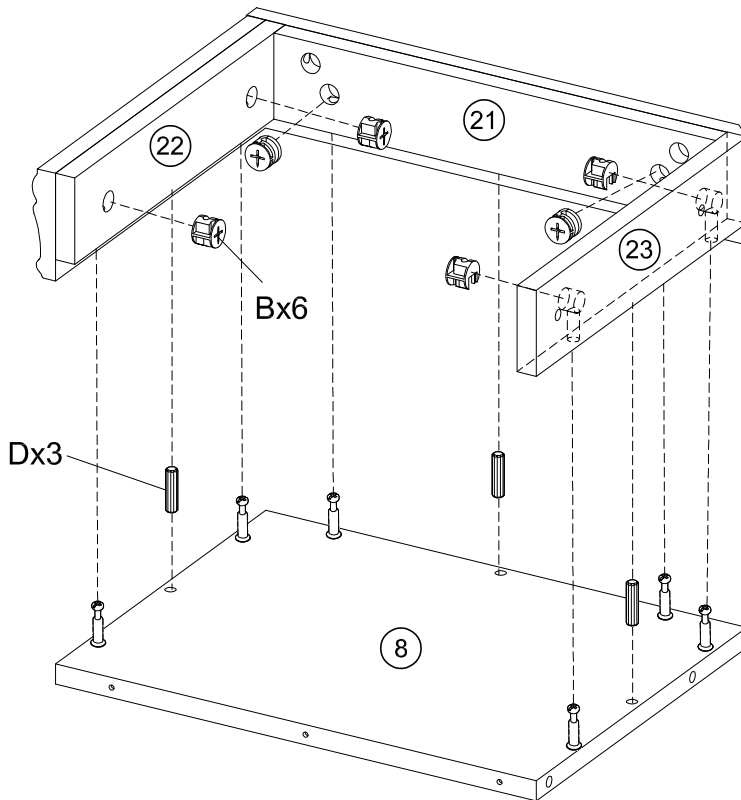
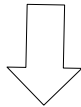
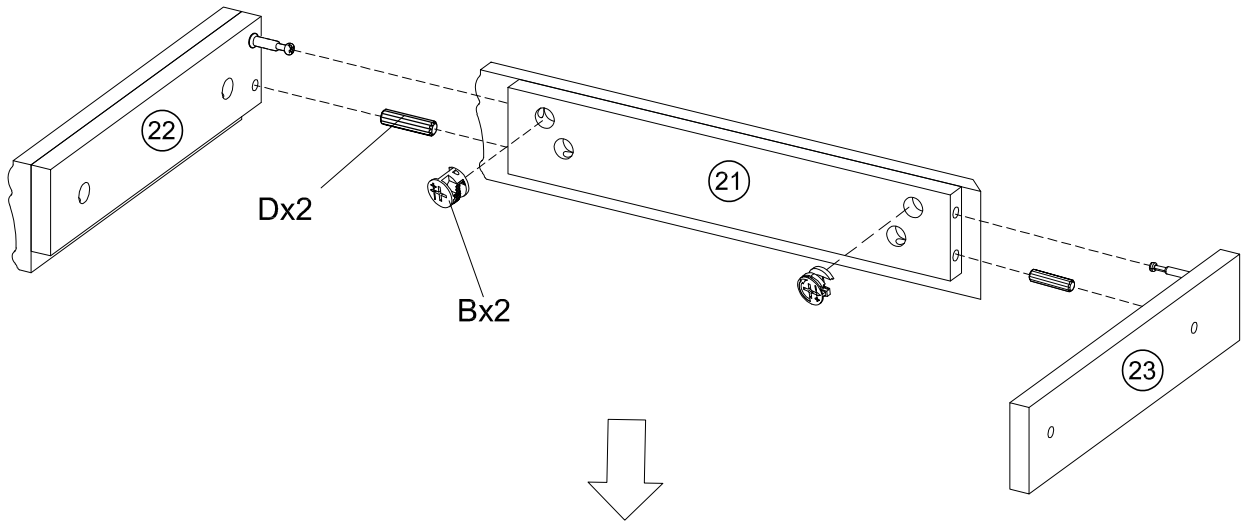
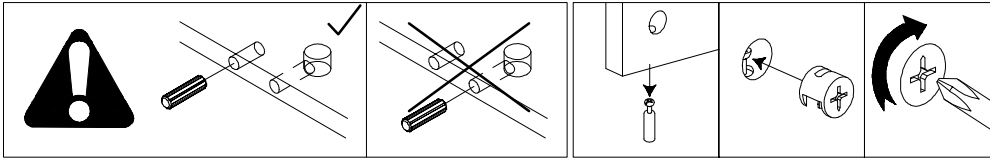
# STEP 9





Dx5

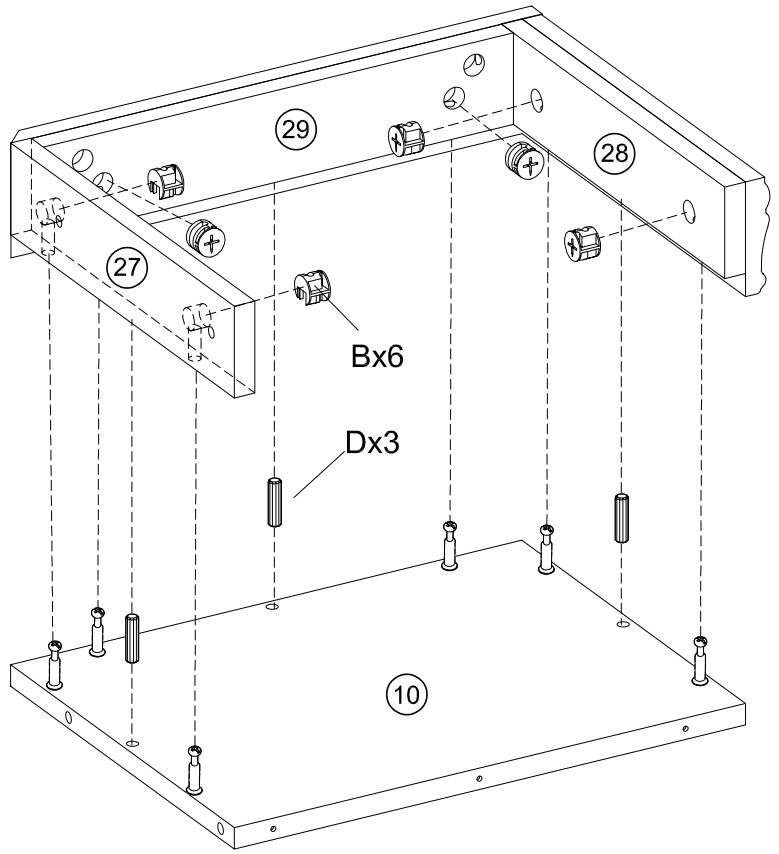
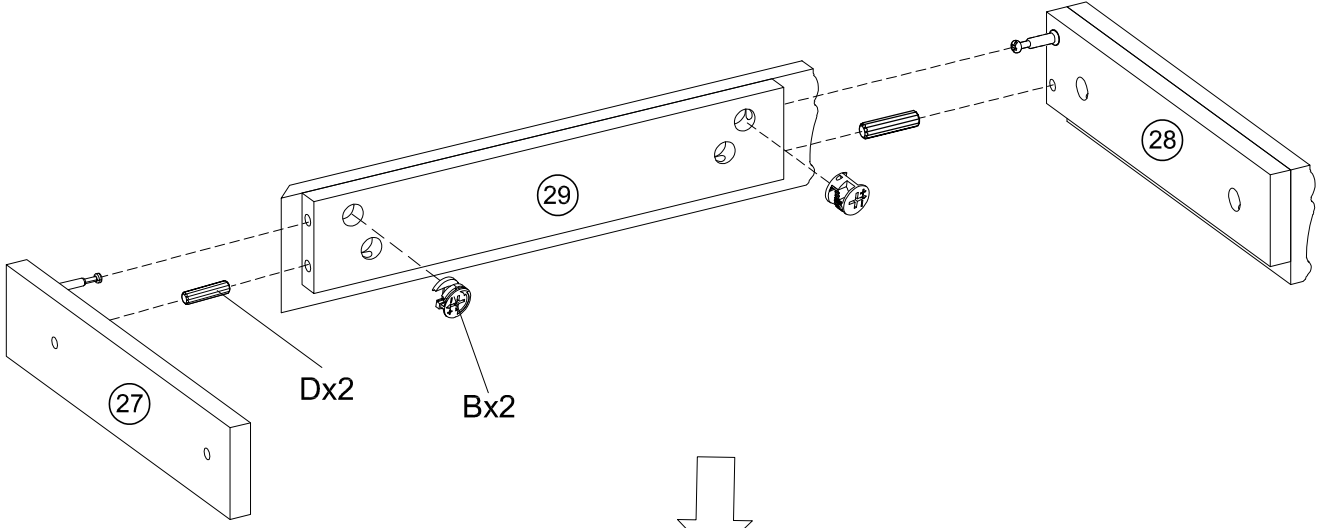
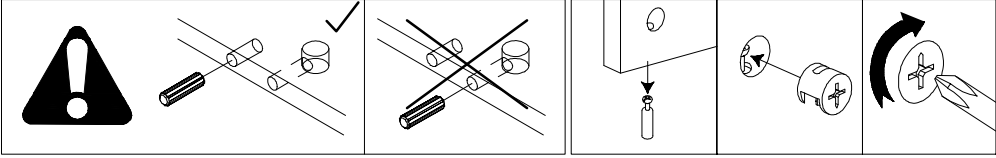


Bx8

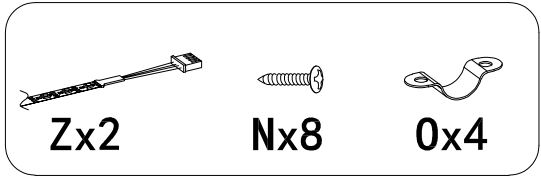


# STEP 10

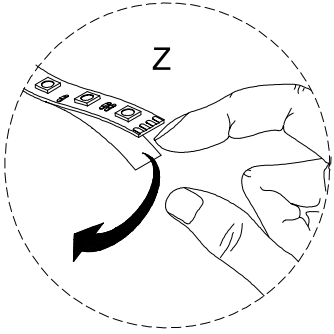
   
**Dx5**      **Bx8**



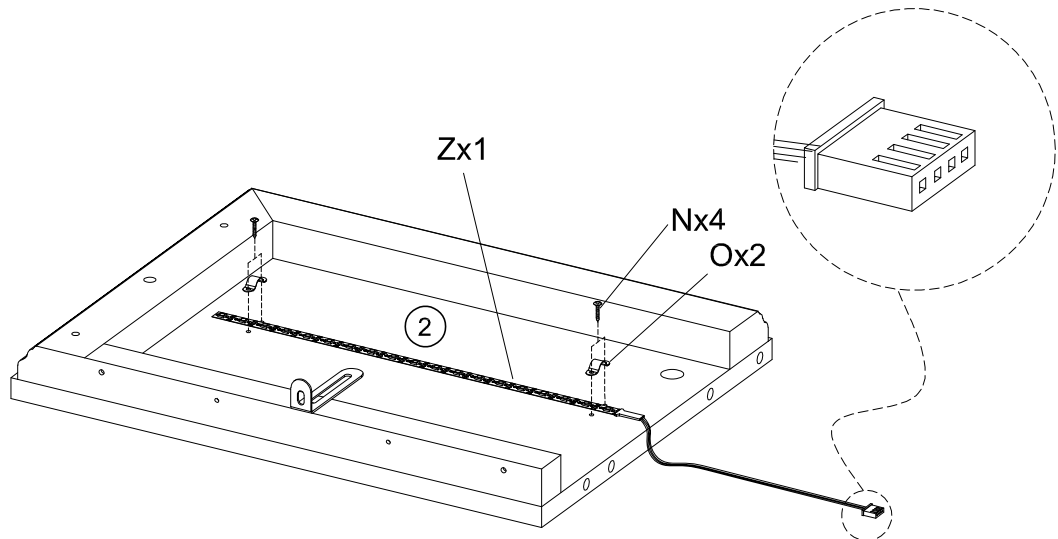
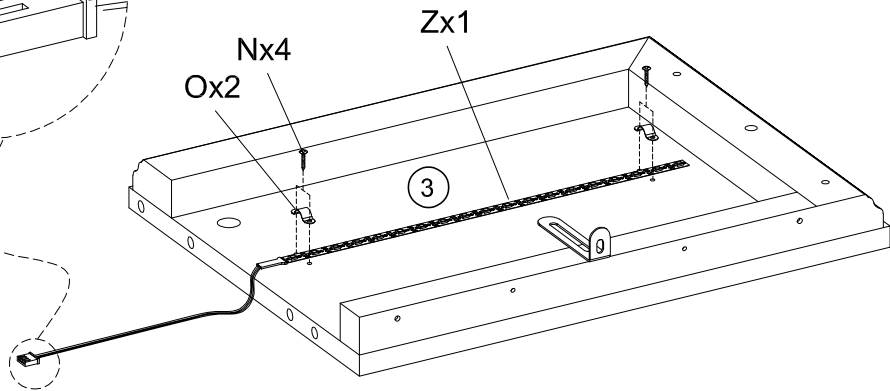
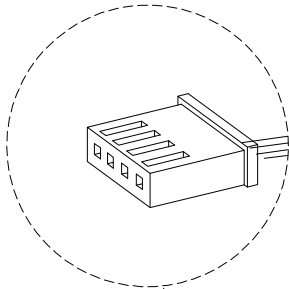
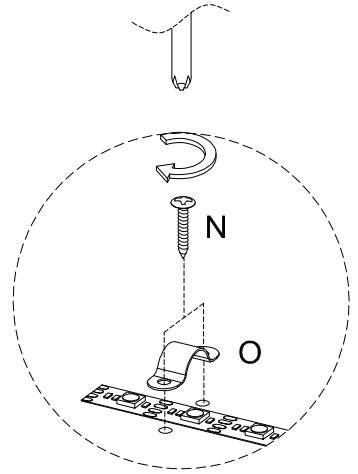
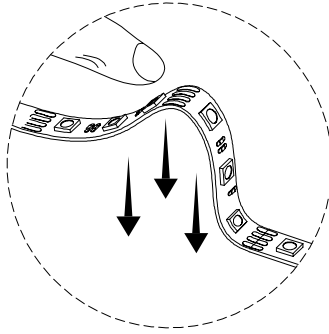
# STEP 11



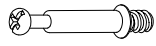
Remove the tape



Press

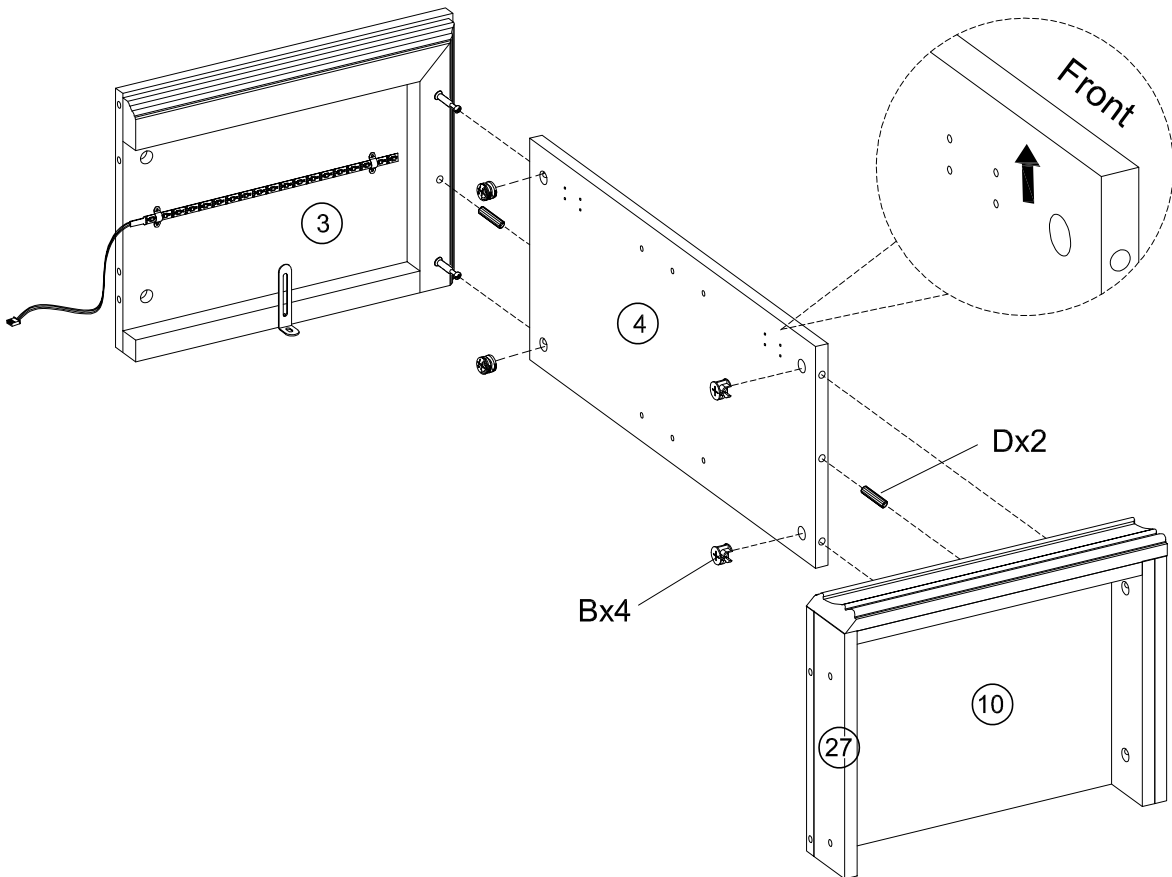
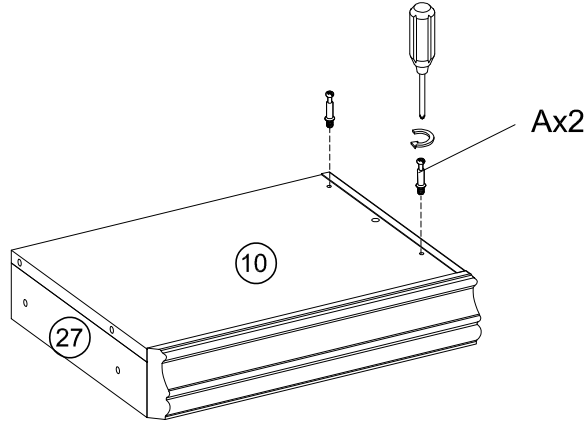
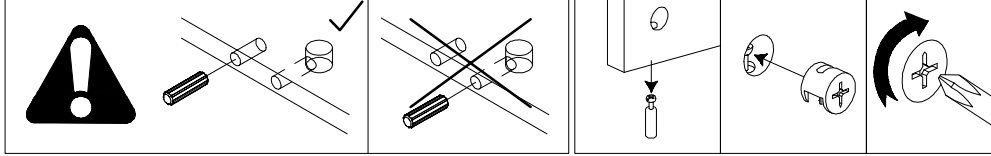


# STEP 12

  
Ax2

  
Dx2

  
Bx4



# STEP 13



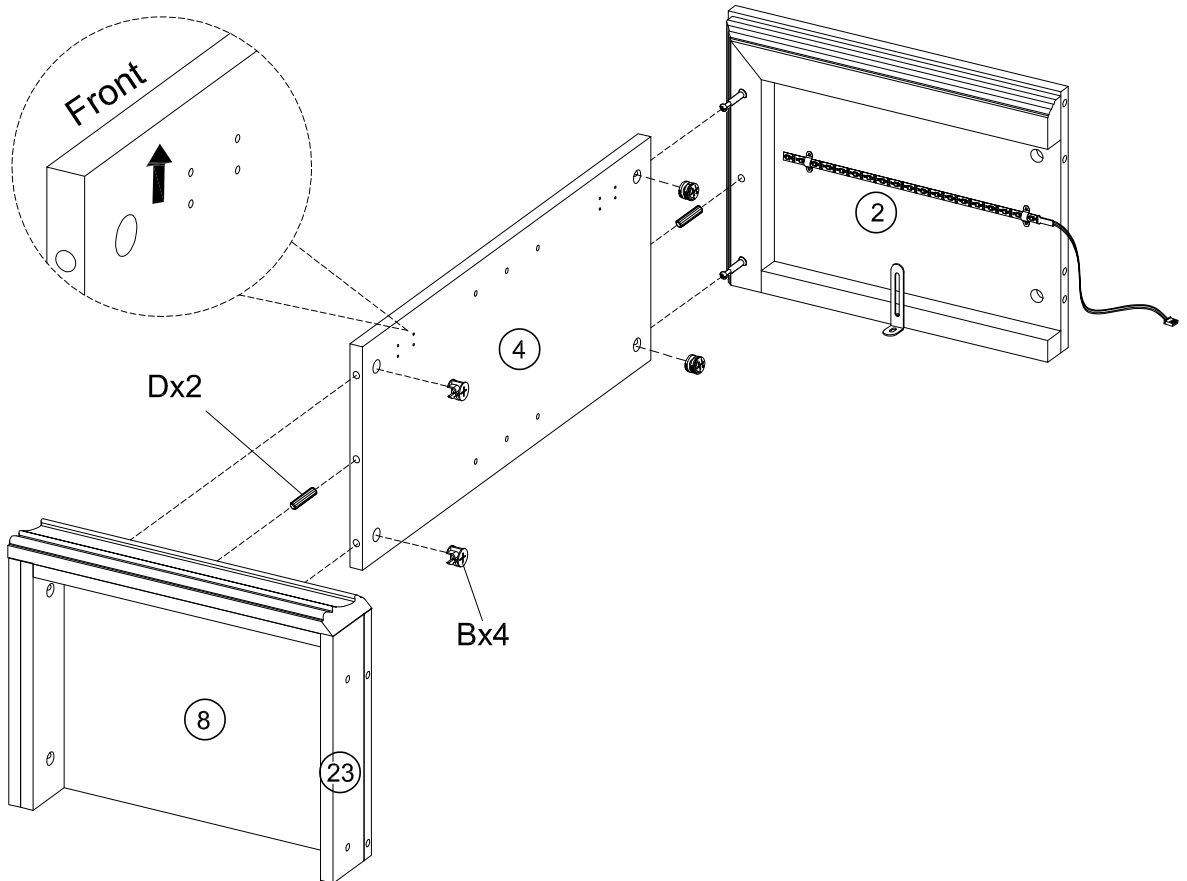
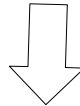
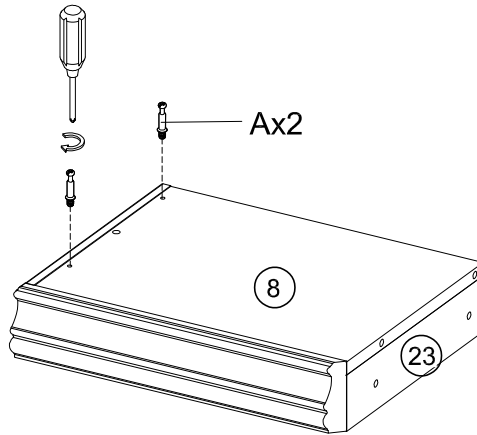
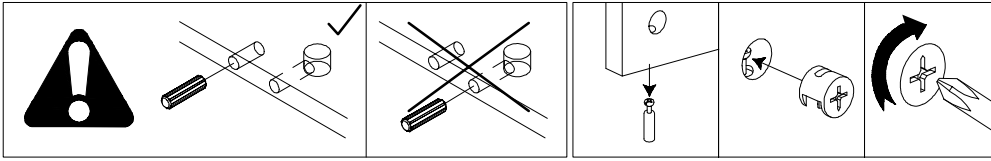
Ax2



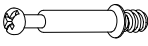
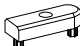

Dx2

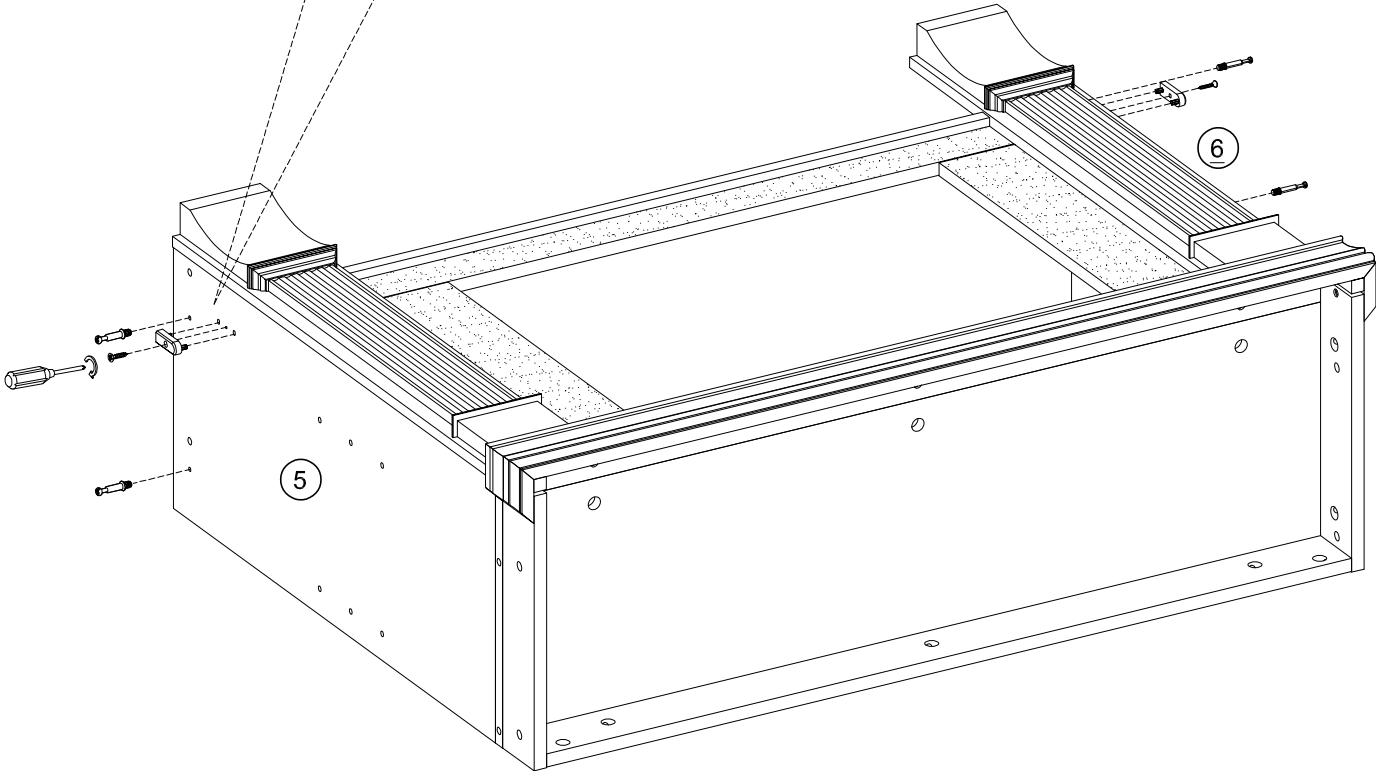
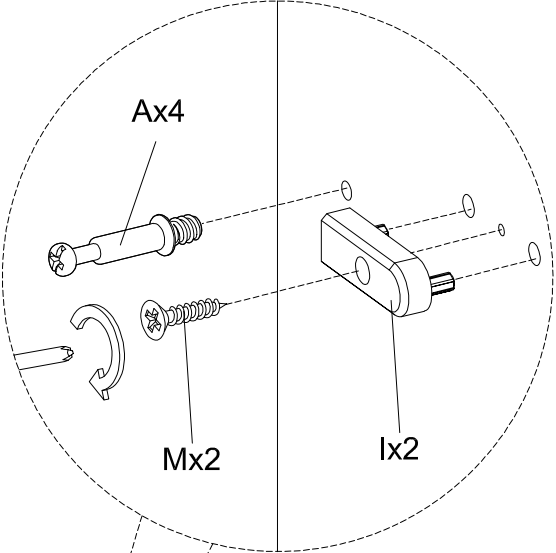


Bx4



# STEP 14

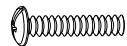
		
<b>Ax4</b>	<b>Ix2</b>	<b>Mx2</b>



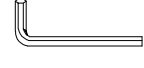
# STEP 15

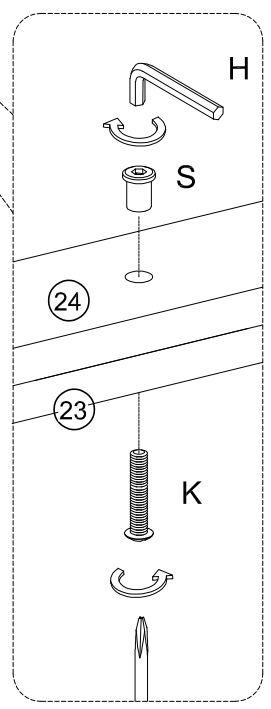
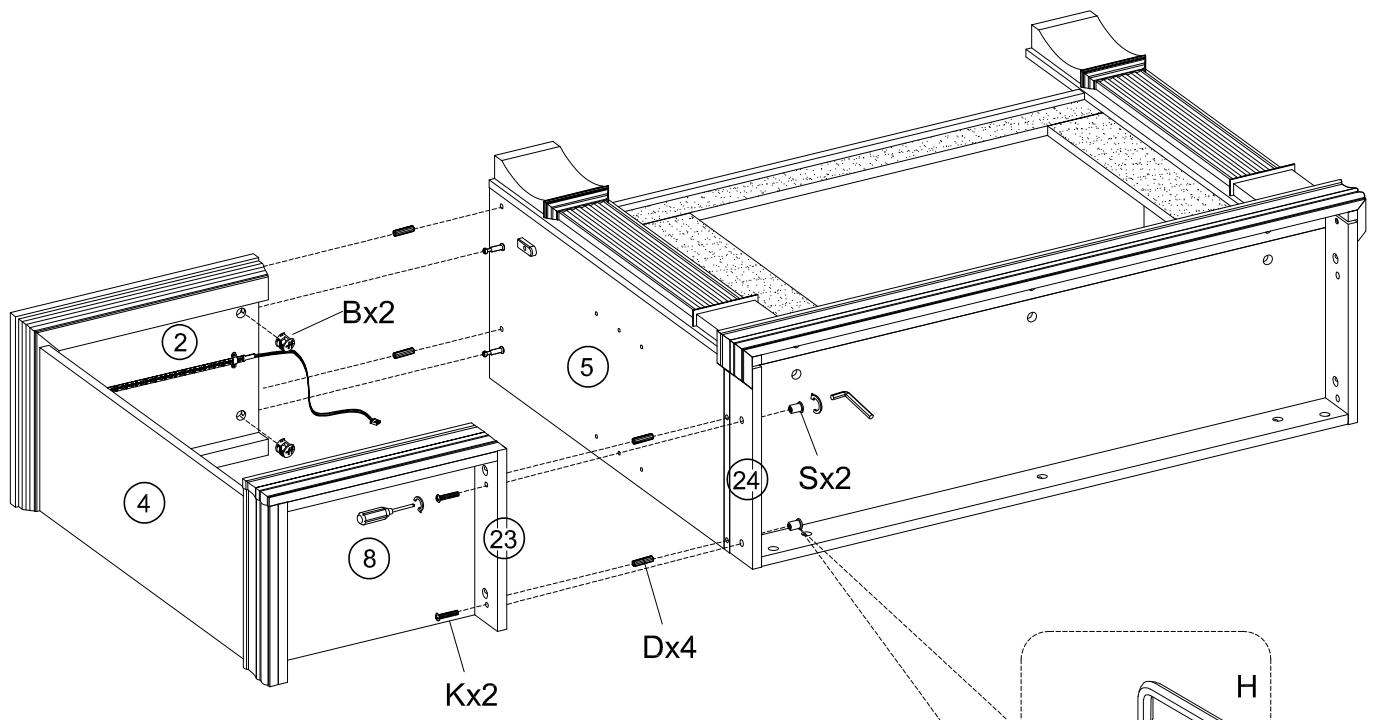
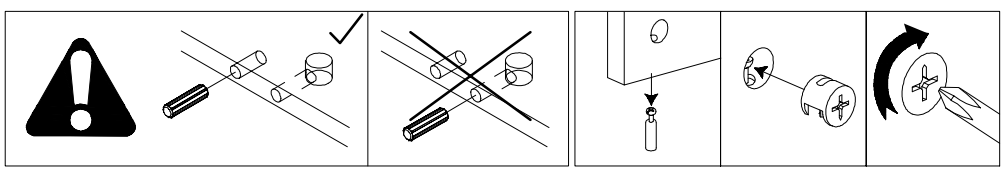
  
Dx4

  
Bx2



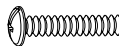
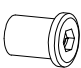
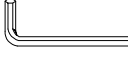
  
Kx2

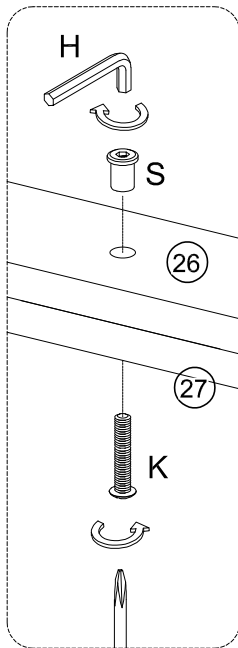
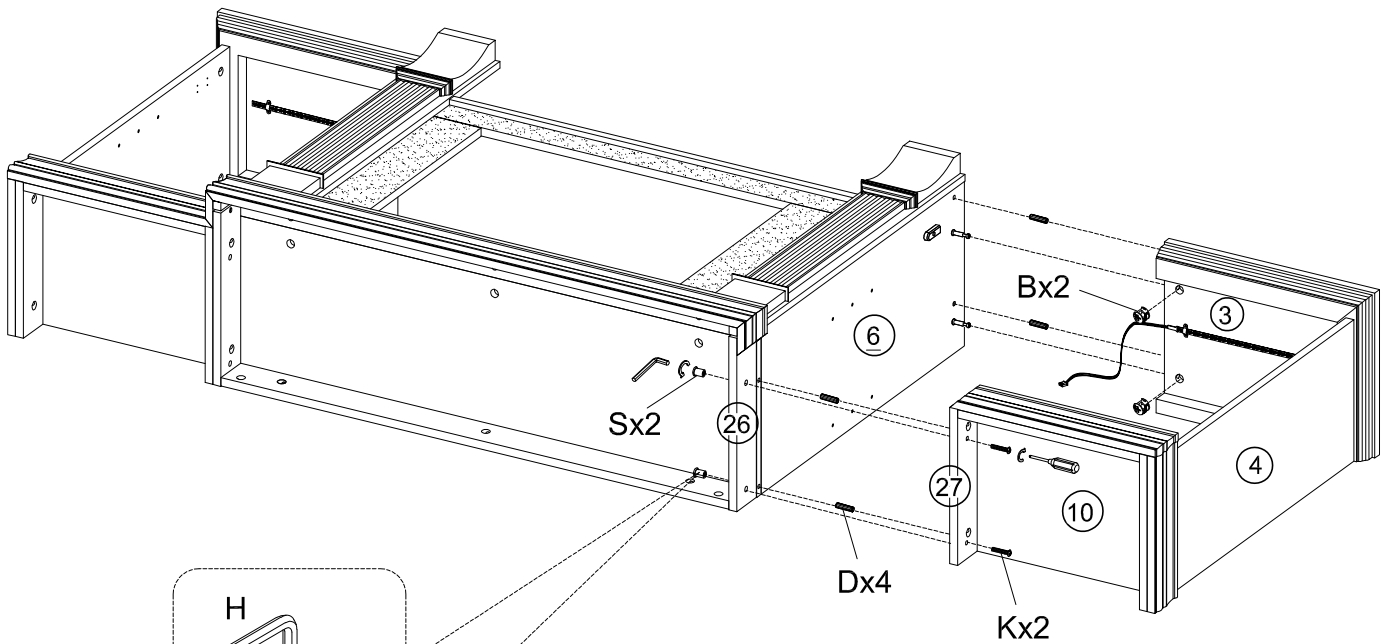
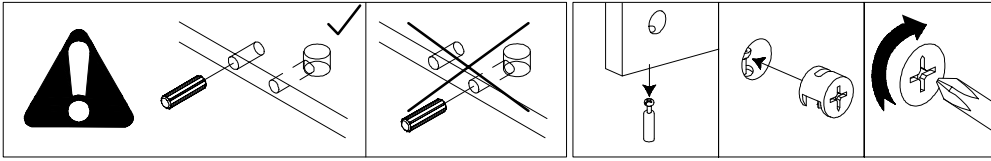
  
Sx2

  
Hx1

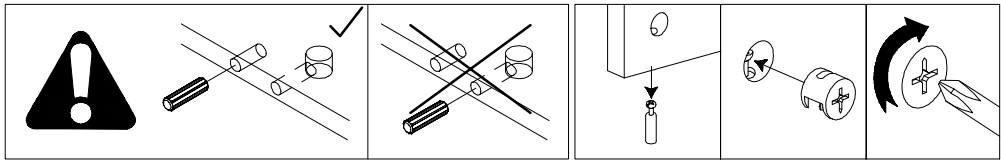
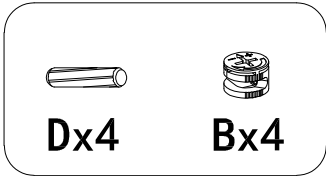


# STEP 16

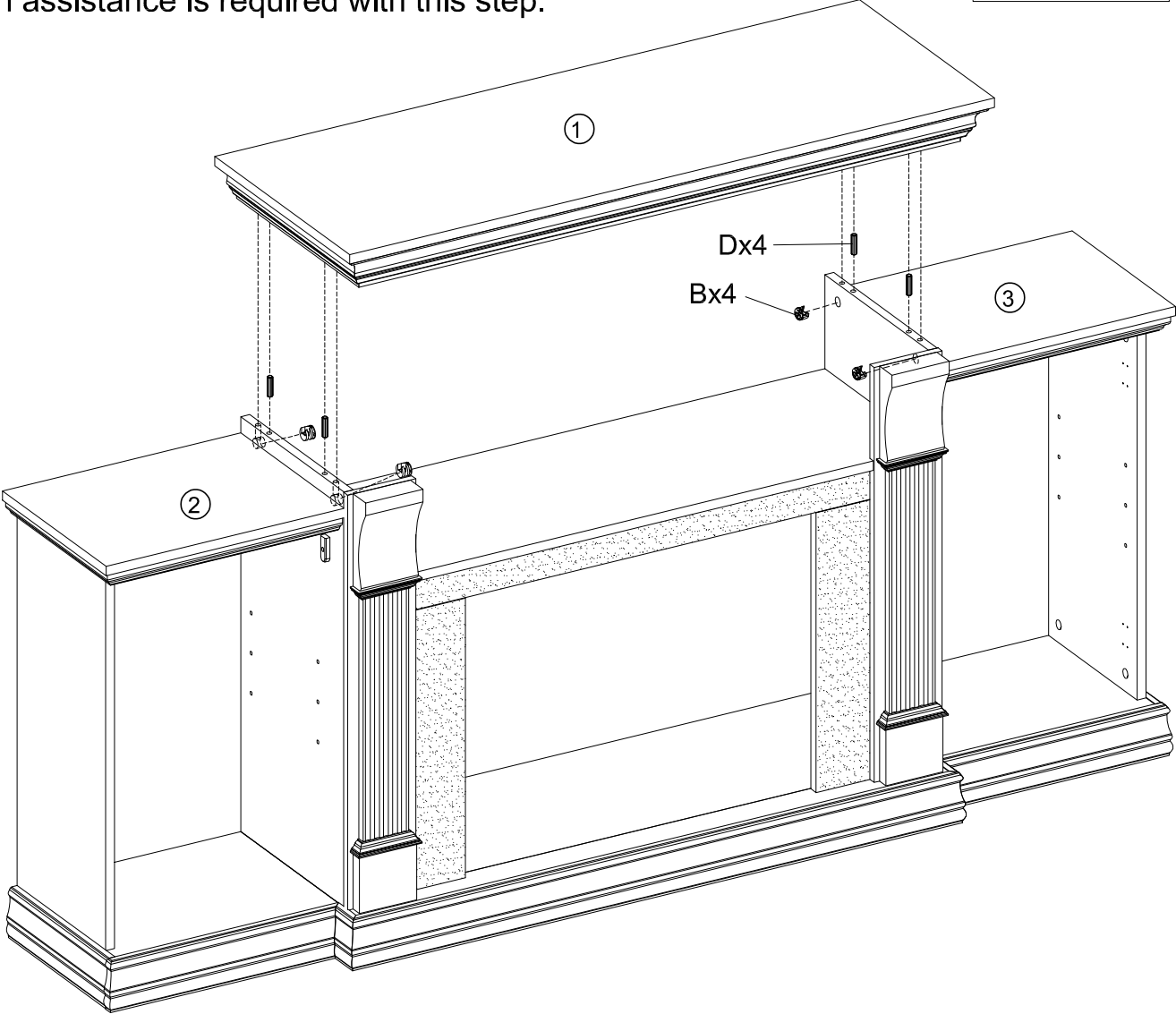
				
Dx4	Bx2	Kx2	Sx2	Hx1



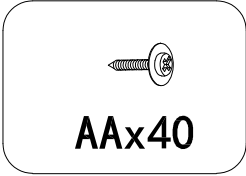
# STEP 17



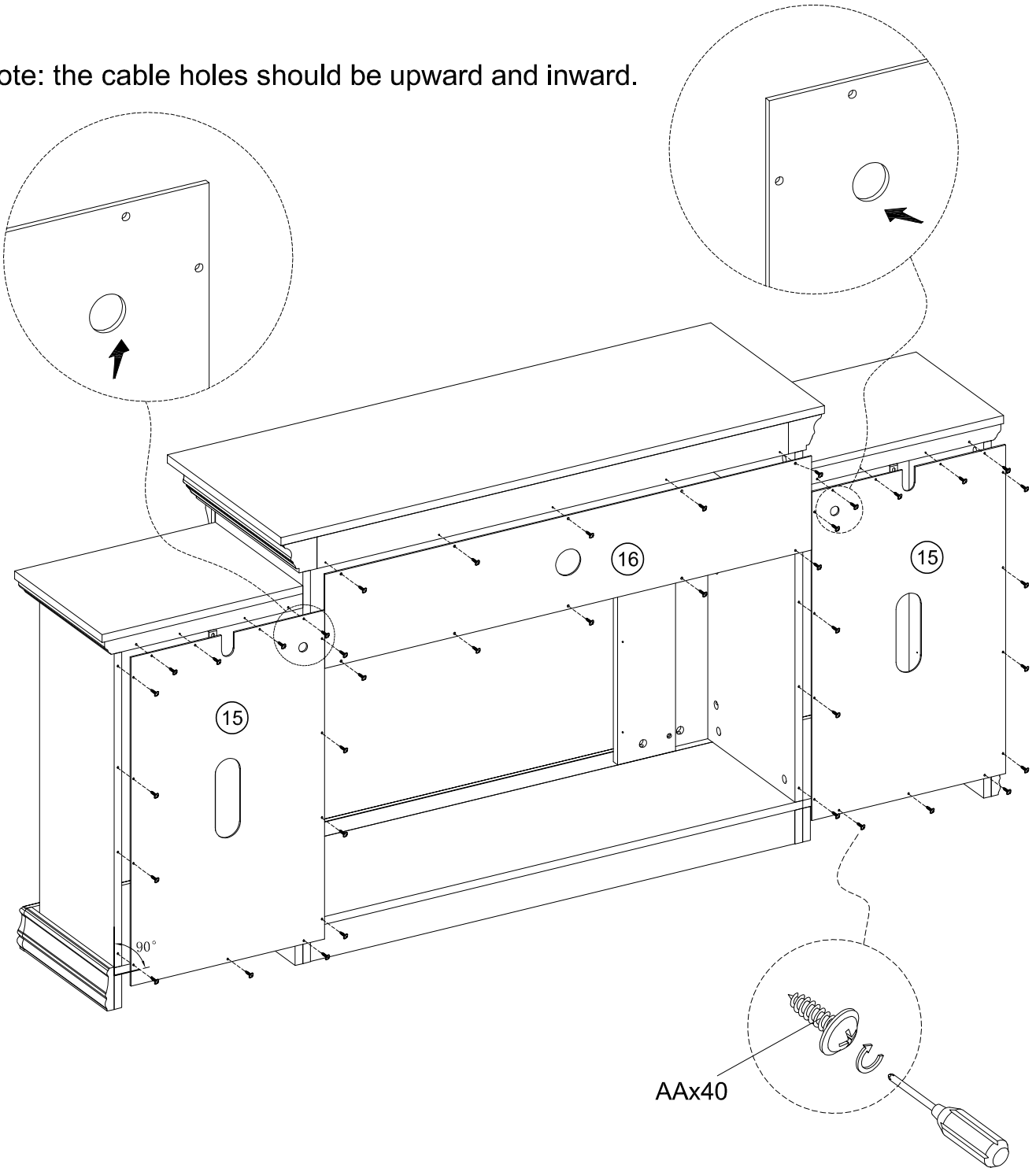
An assistance is required with this step.



# STEP 18


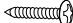


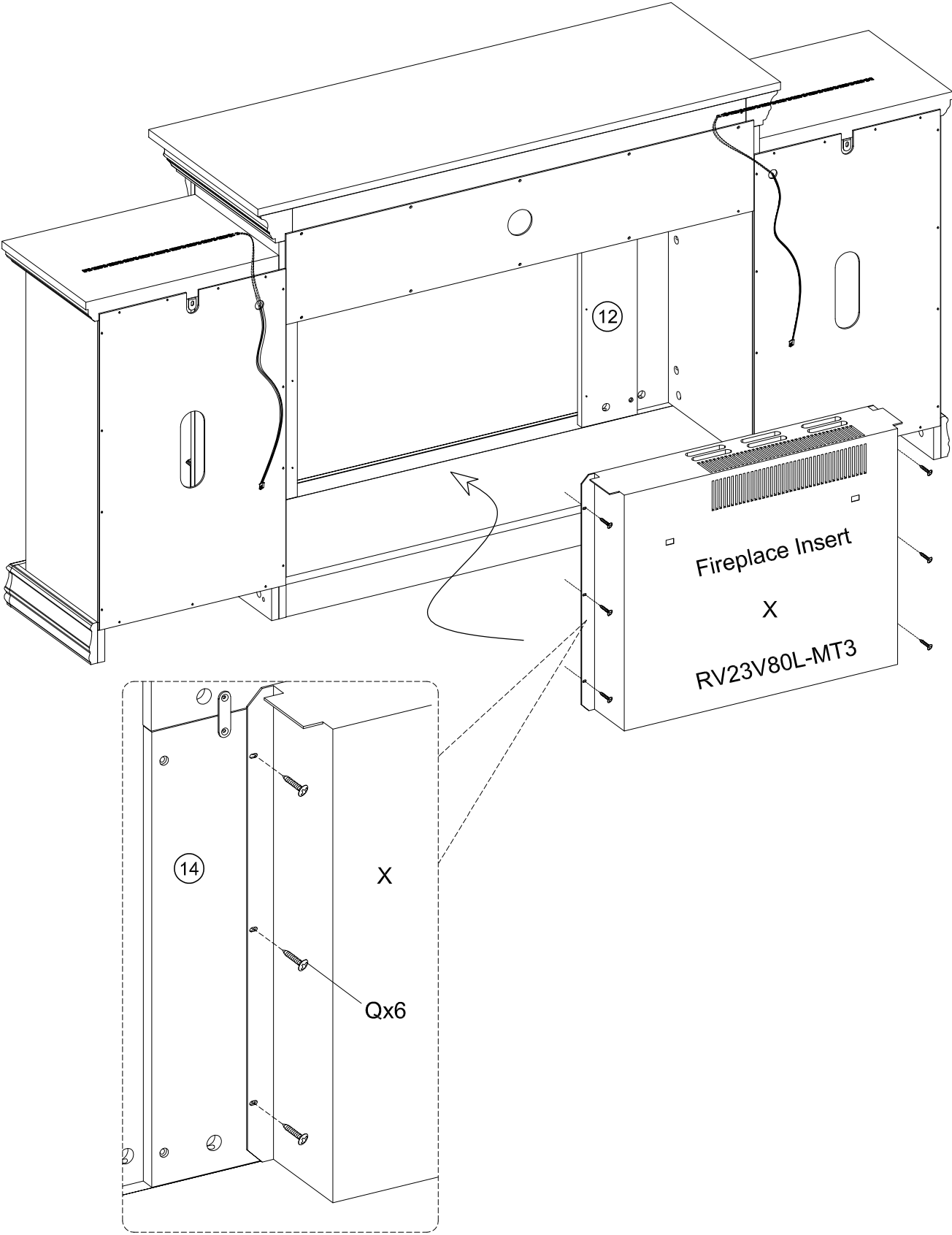
Note: the cable holes should be upward and inward.



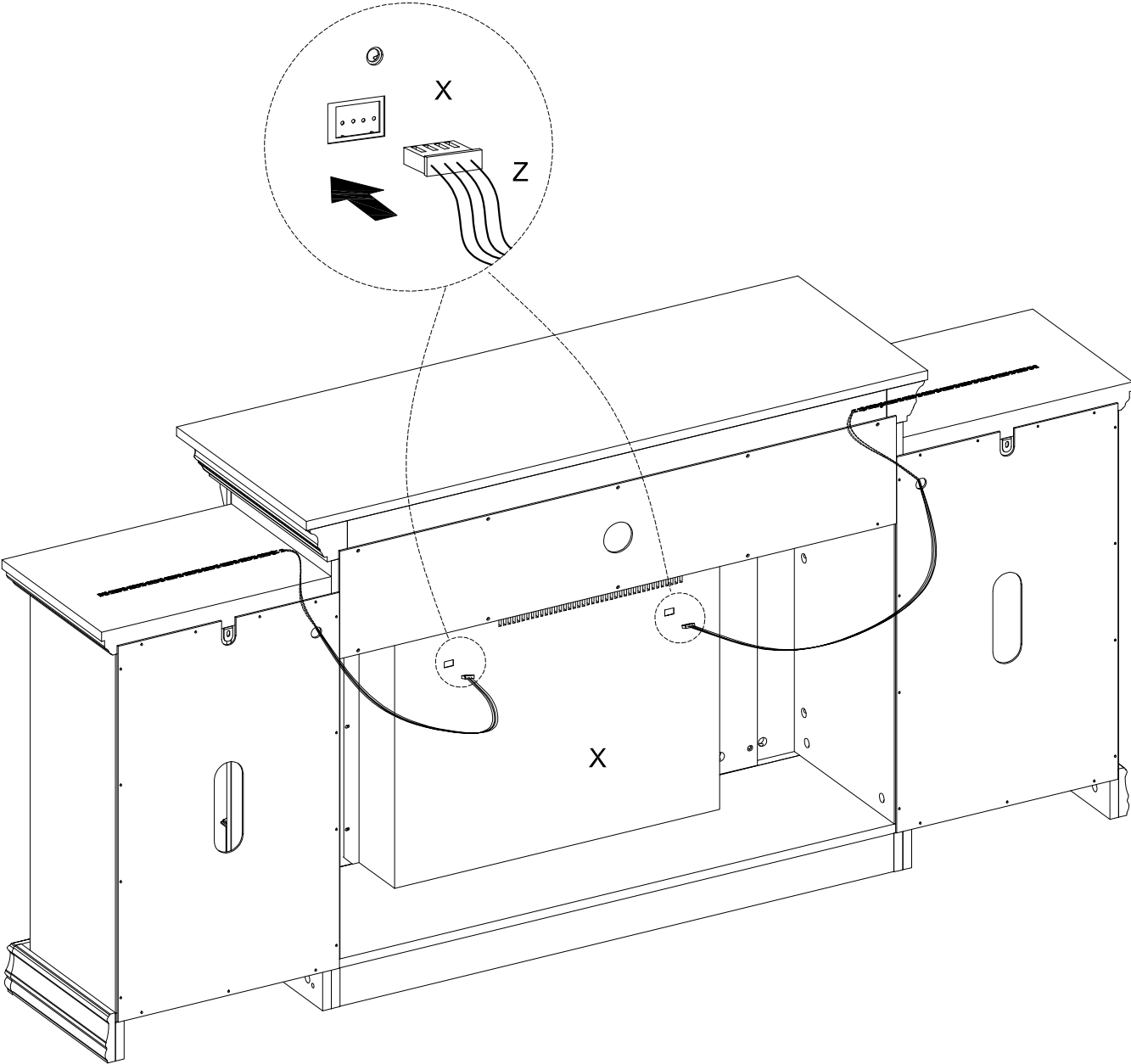
Before attaching the back panel, make sure that it is square to the unit.

# STEP 19

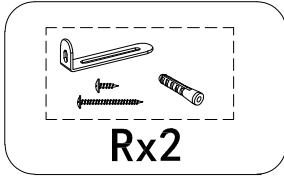
 Xx1       Qx6



# STEP 20

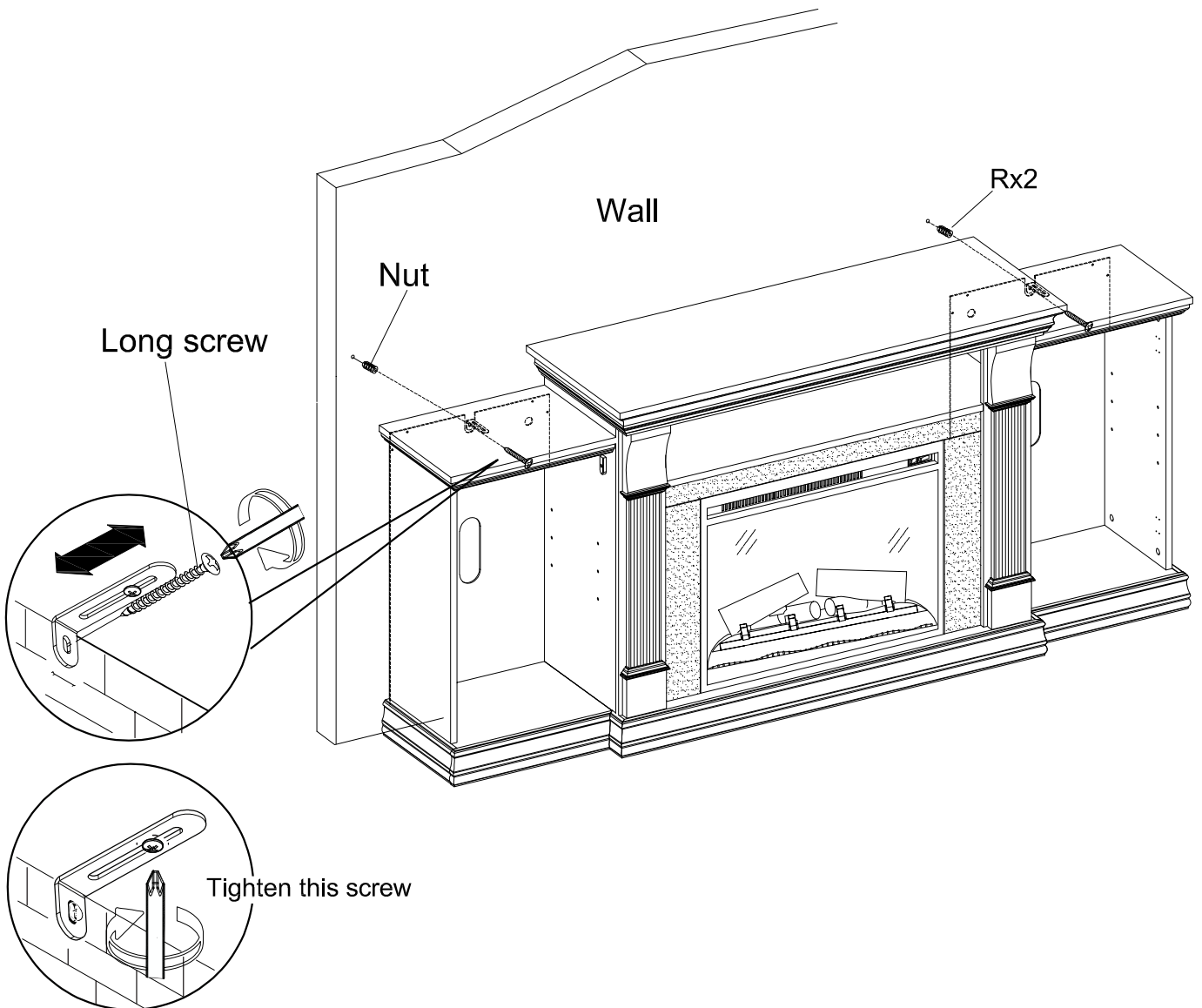
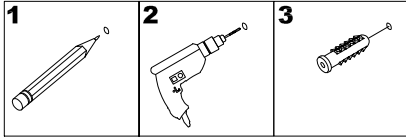


# STEP 21

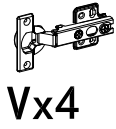


## WARNING

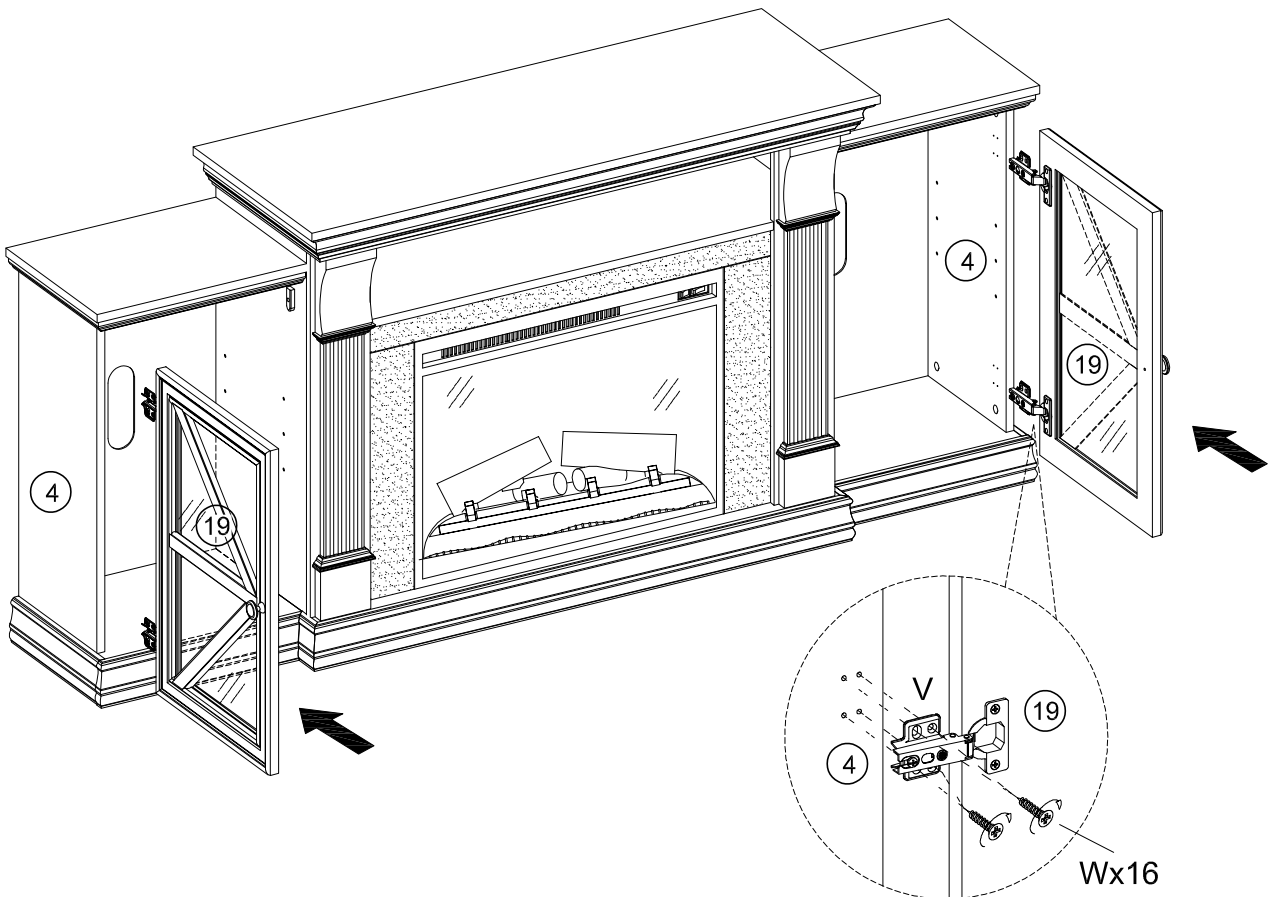
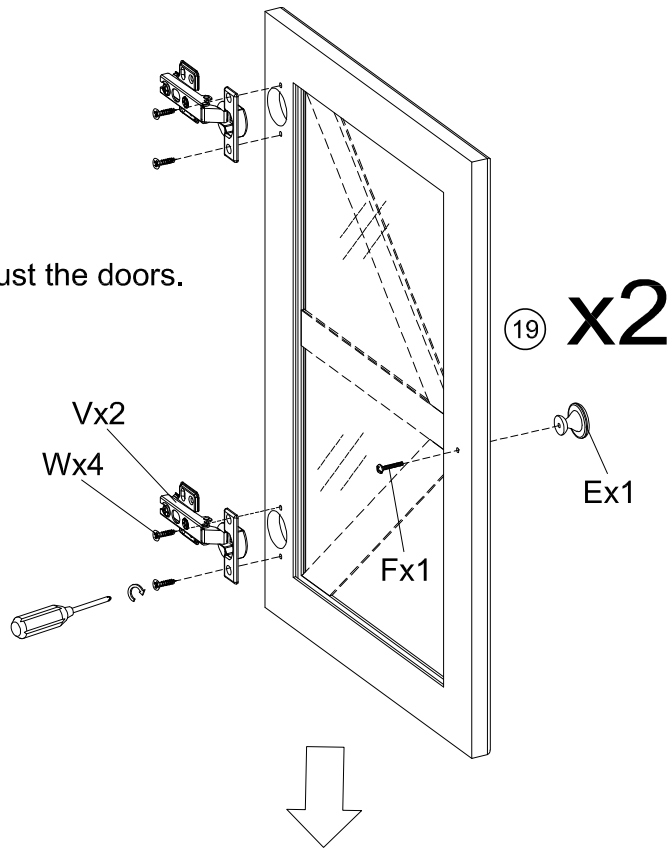
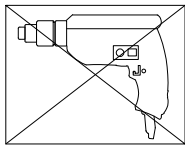
Serious or fatal injuries can occur from furniture tipping over. To prevent the furniture from tipping over, we recommend that it is permanently fixed to the wall. Wall anchor and hardware are included with this product. Please make sure hardware is suitable for your walls before installing, as different wall materials may require different types of anchors.



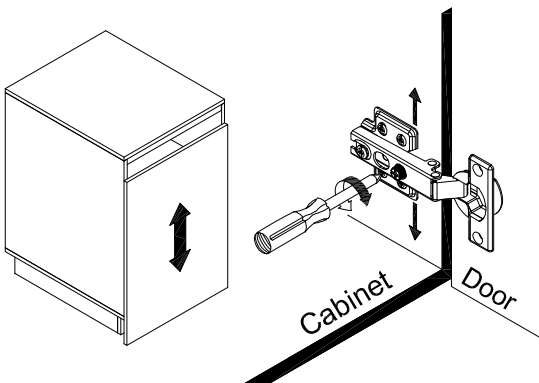
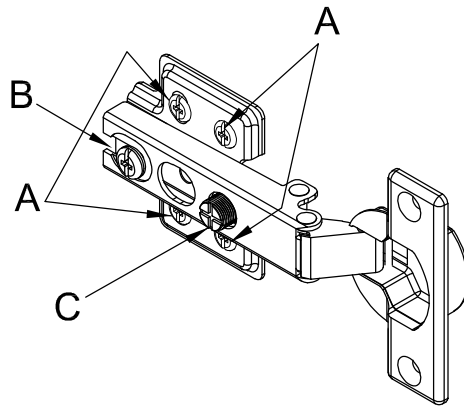
# STEP 22



Power tools should not be used to assemble and adjust the doors.

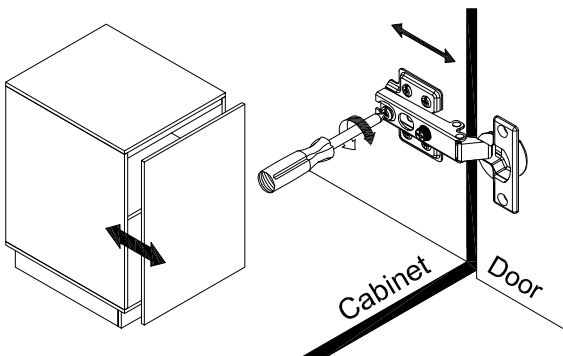


# STEP 23



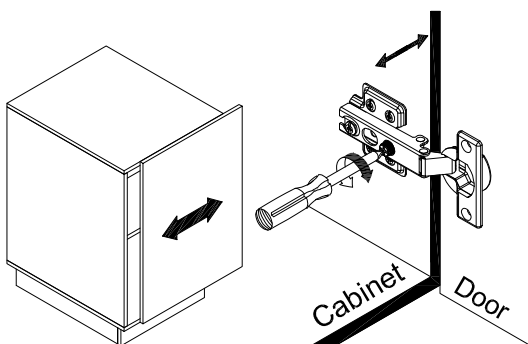
### To adjust the vertical height.

Loosen the four screws "A" on both hinges. Two of them are usually in slotted holes which allows you to adjust up or down by a few mm. Then tighten back up.



### To adjust depth.

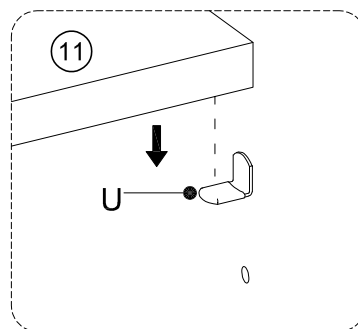
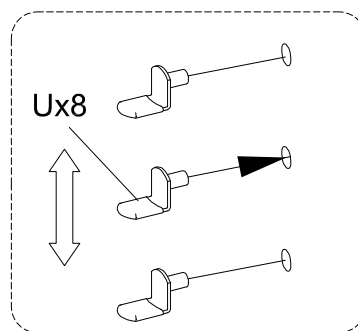
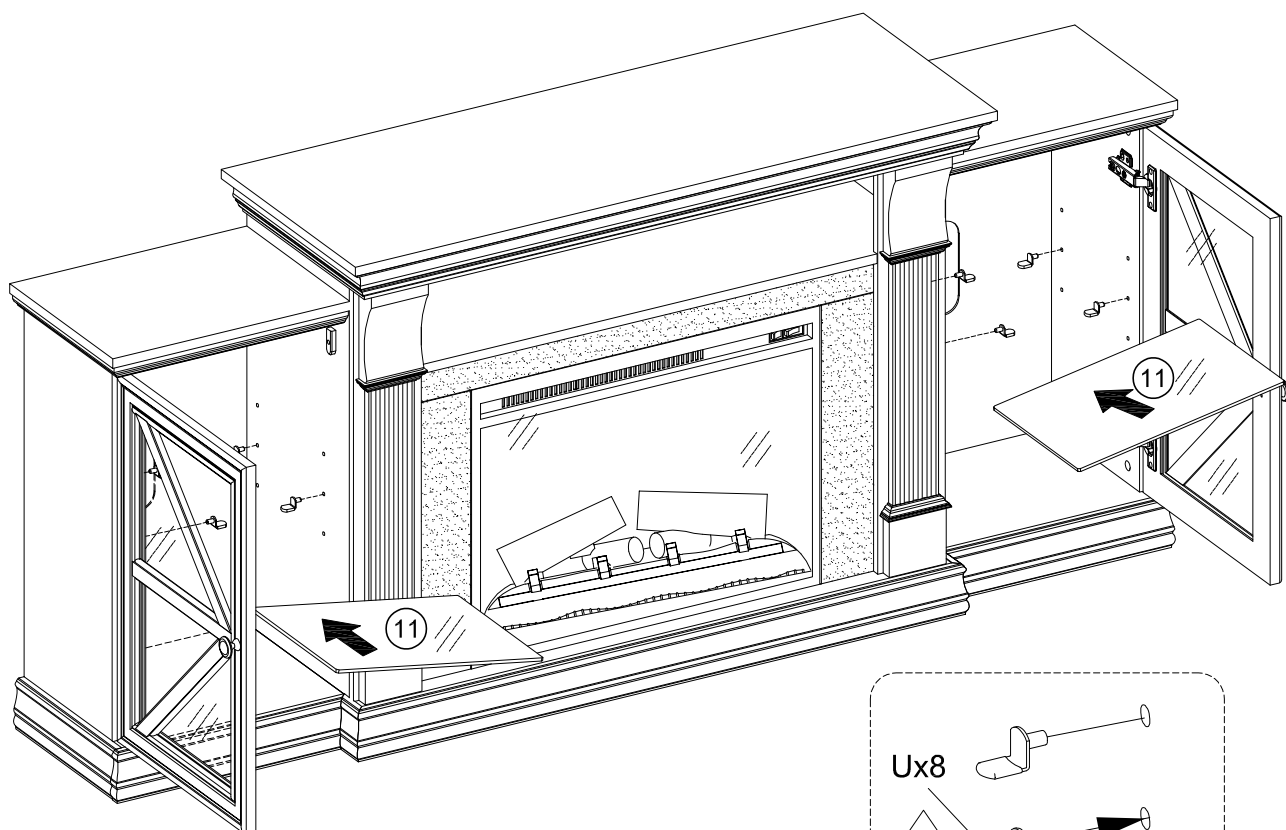
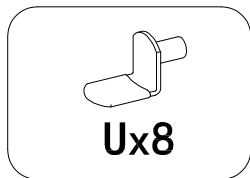
Loosen screw "B" and adjust door, if the door can not be adjusted, please loosen screw "C", then try again. Tighten screw "B" and "C".



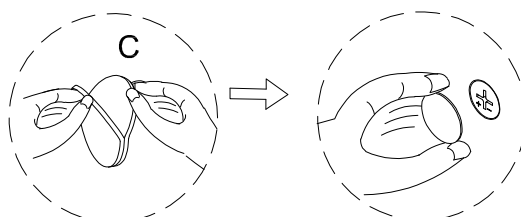
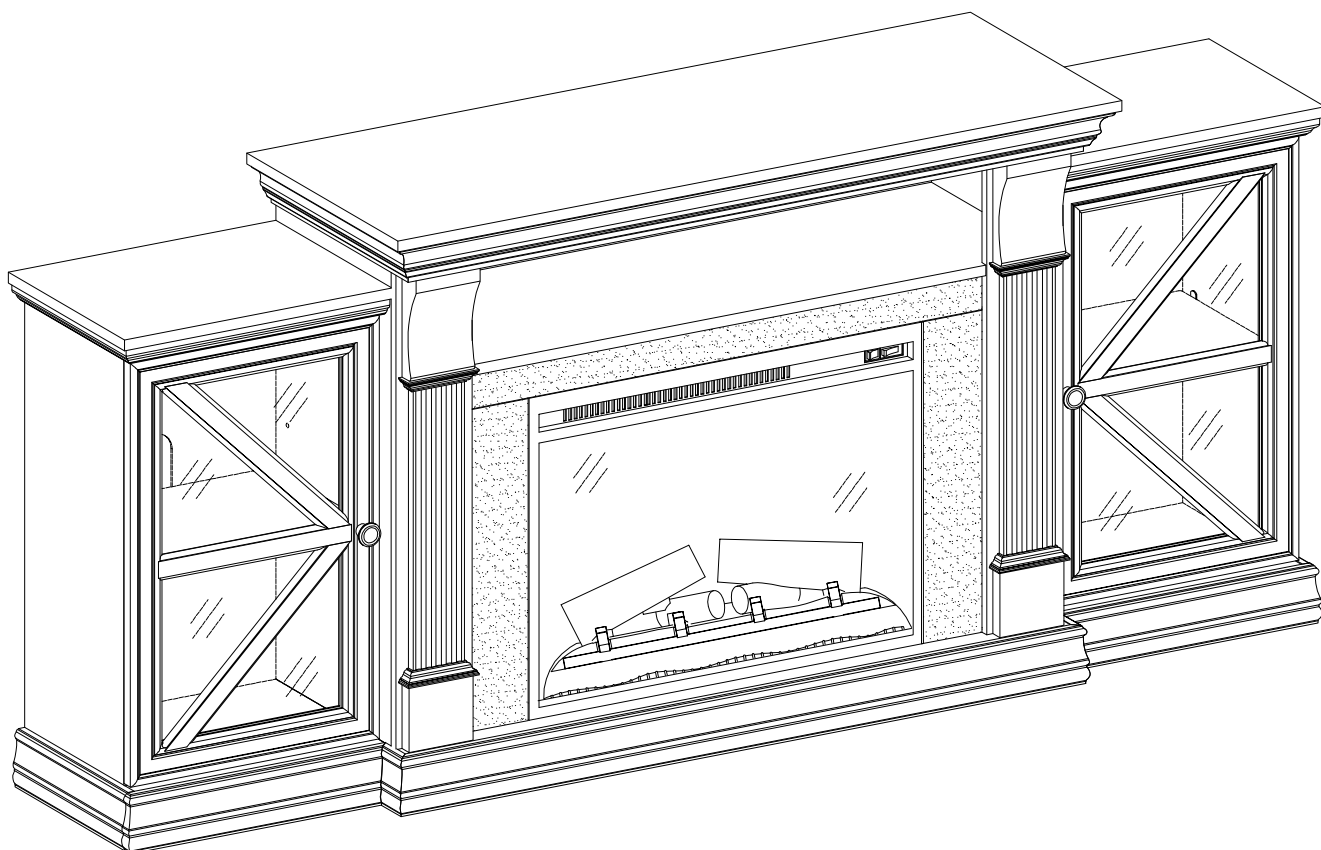
### To adjust side ways.

Turning the screw "C" on BOTH hinges on each door.

# STEP 24



# STEP 25

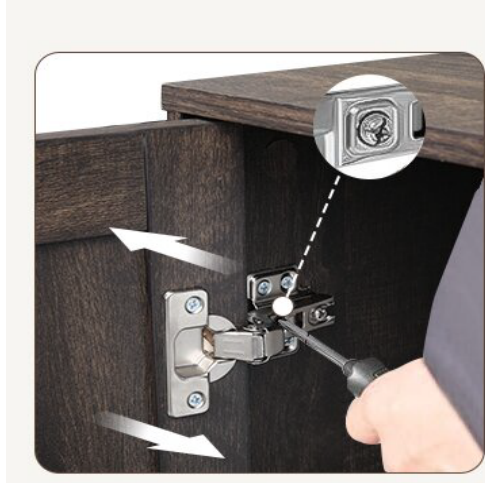
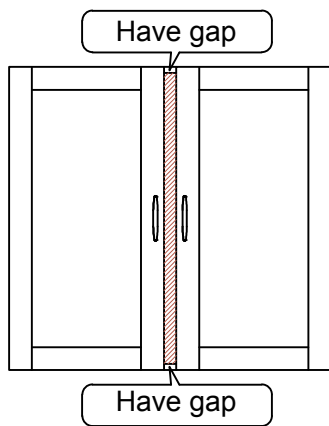


· Stick stickers (C) on cam locks (B).

## Final Assembly

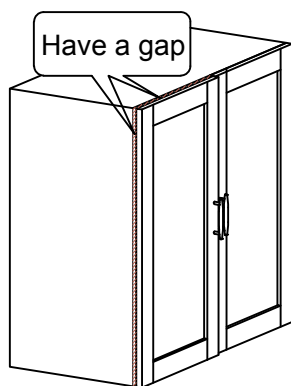
# How do I get the two doors to align flat by adjusting the hinges?

1



Turn the screw to the right can make the door approach inside.

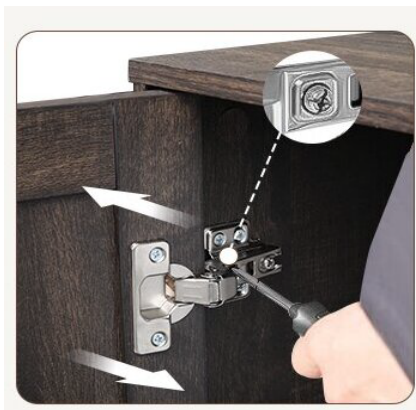
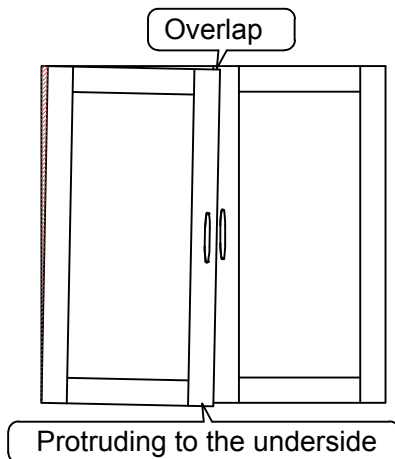
2



1. Rotate the screws to the left
2. Push the door to the cabinet
3. Rotate the screws to the right

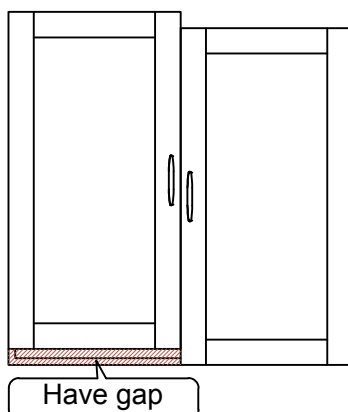
Please take the following steps to adjust first.

3



Turn the screw to the left can make the top of the door tilted outward.

4



1. Turn the screw to the left
2. Lower the door's height so that 2 doors are of the same height
3. Turn the screw to the right