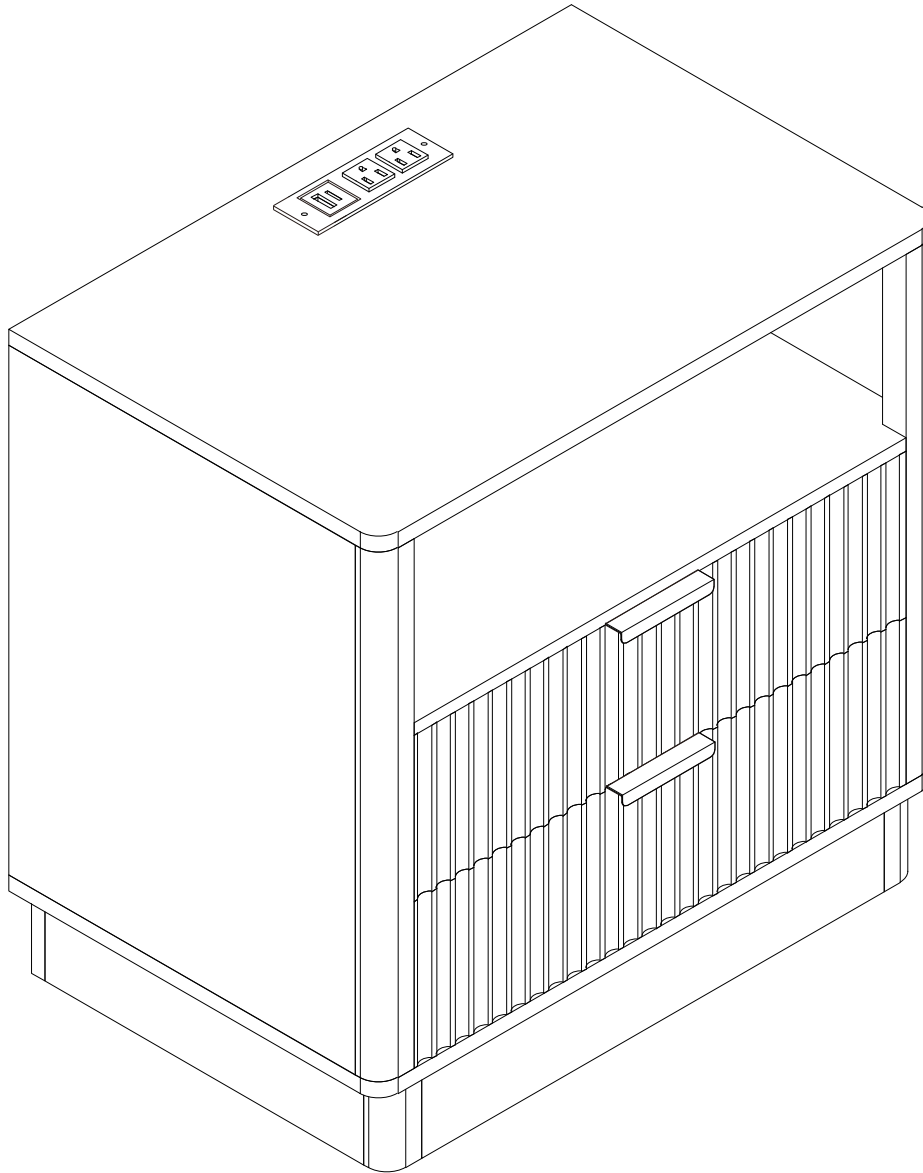


# Installation & Assembly



Thank you for purchasing our product.

Please contact us and Leave ordernumber if you have difficulty with installing or need replacement parts.

## **General Guidelines:**

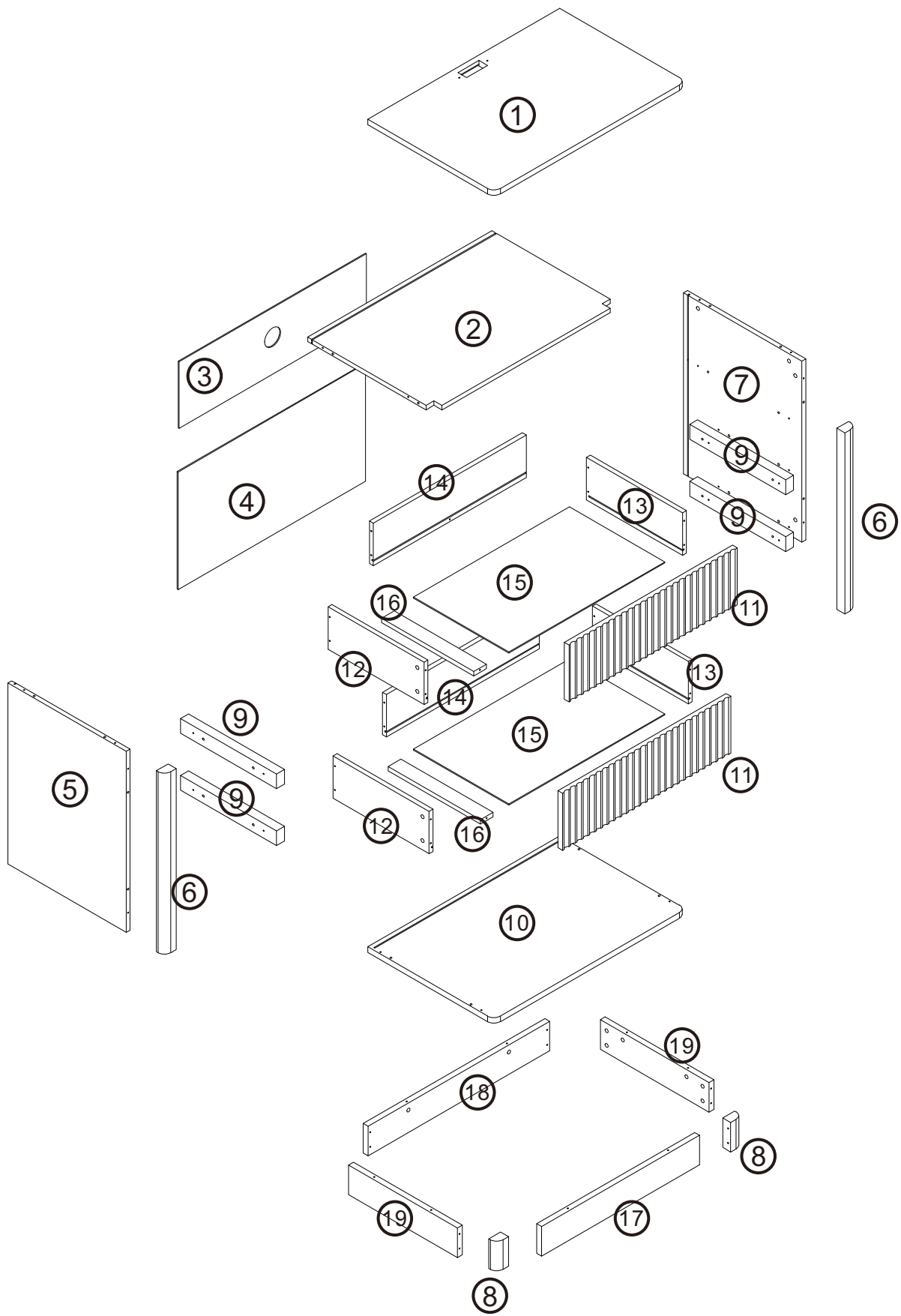
1. Please read the following instruction carefully and use the product accordingly.
2. Please keep this manual and hand it over when you transfer the product.
3. This summary may not include every detail of all variations and considered steps. Please contact us when further information and help are needed.




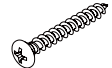

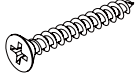




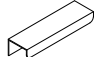





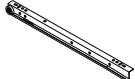
## **Notes:**

1. This item is only intended to be used indoors. Personal injury and/or damage to product may occur if products are used outside of their intended purposes and/or if products have been changed/modified from their original design. The product must be assembled and used in accordance with the provisions of the manual. The seller does not assume any responsibility or liability with respect to any damage caused by incorrect assembly or improper use.
2. It is recommended that assembly is undertaken by at least 2 adults. Please read assembly instructions before assembly and strictly adhere to each step outlined.
3. If there is/are defective and/or missing part/s after unpacking, please cease assembly immediately and get in contact with us.
4. Please assemble the item in a spacious room and do not place the unwrapped product directly on the ground to avoid damage. It is recommended to wear gloves during the assembly to avoid scratches from any sharp edges.
5. Please do not stand, sit or place heavy items on the wooden boards or other parts before assembly to avoid cracks or distortion of the wooden boards. Cracks or distortion will affect the assembly and normal use.
6. Please match the corresponding board and fitting based on the part number in the manual. If the board does not match with the fitting, please check the pieces as specified in this manual.
7. Please refer to the diagram during assembly. Align all screws with the related pre-drilled holes first and later tighten the screws one by one only after putting all the parts in their correct places.
8. Periodically inspect screw tightness while the product is in use. If necessary, retighten to ensure structural integrity.
9. Do not expose product to direct sunlight exposure or rain; and do not put it in a humid place. Failure to do so may accelerate the distortion, discoloration or cause fissures. Never touch with sharp objects or corrosive chemicals, which may damage the surface of the item.
10. For daily care, please clean with a damp cloth then immediately wipe dry.

## **Warnings:**

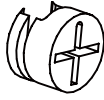
1. It is strictly prohibited to sit or stand on the product.
  2. Please put this item on a flat ground.
  3. Don't use an electric drill to assemble this item.
  4. It is not intended for use by children under 3 years of age. Children must be under adult supervision to use the product.
  5. It is forbidden children to climb or play on the product to avoid serious body injury caused by the toppling.
  6. During the assembly process, keep any small parts out of the reach of children. It may be fatal if swallowed or inhaled.
- Ÿ To avoid the potential dangers of suffocation, please keep all parts and packaging (films, plastic bags and foam, etc.) away from babies and children.



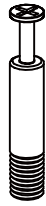
 Ax42	 Bx42	 Cx24	 Dx18	 Ex21	 Fx4
 Gx3	 Hx1	 Ix1	 Jx8	 Kx2	 Lx4
 Mx8	 CLx2	 CRx2	 DLx2	 DRx2	

# How to use furniture connector cam lock screw and fitting?

Eccentric wheel(A)

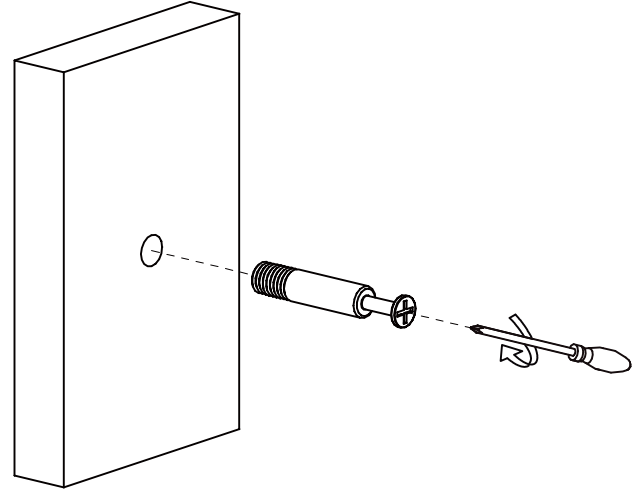


Dowel(B)



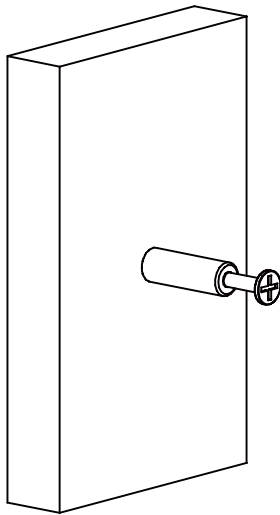
1

Use screwdriver to attach  
dowel into pre-inserted nut



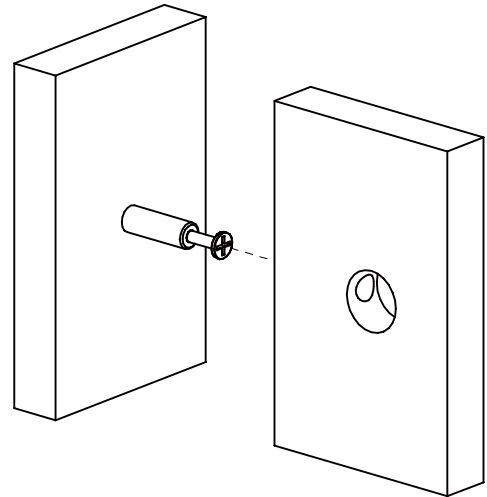
2

Step 1 completed



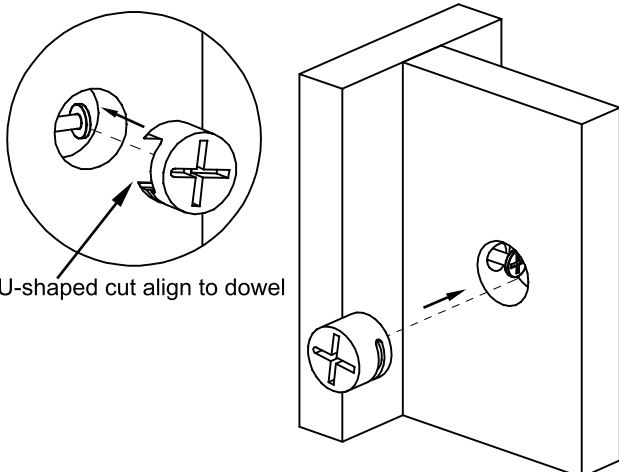
3

Attach dowel into hole on fitting board



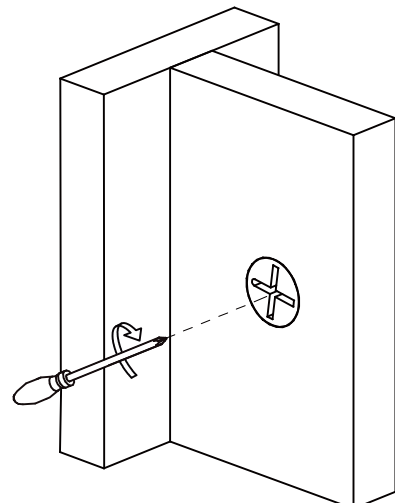
4

Put eccentric wheel (cam lock fitting) into hole






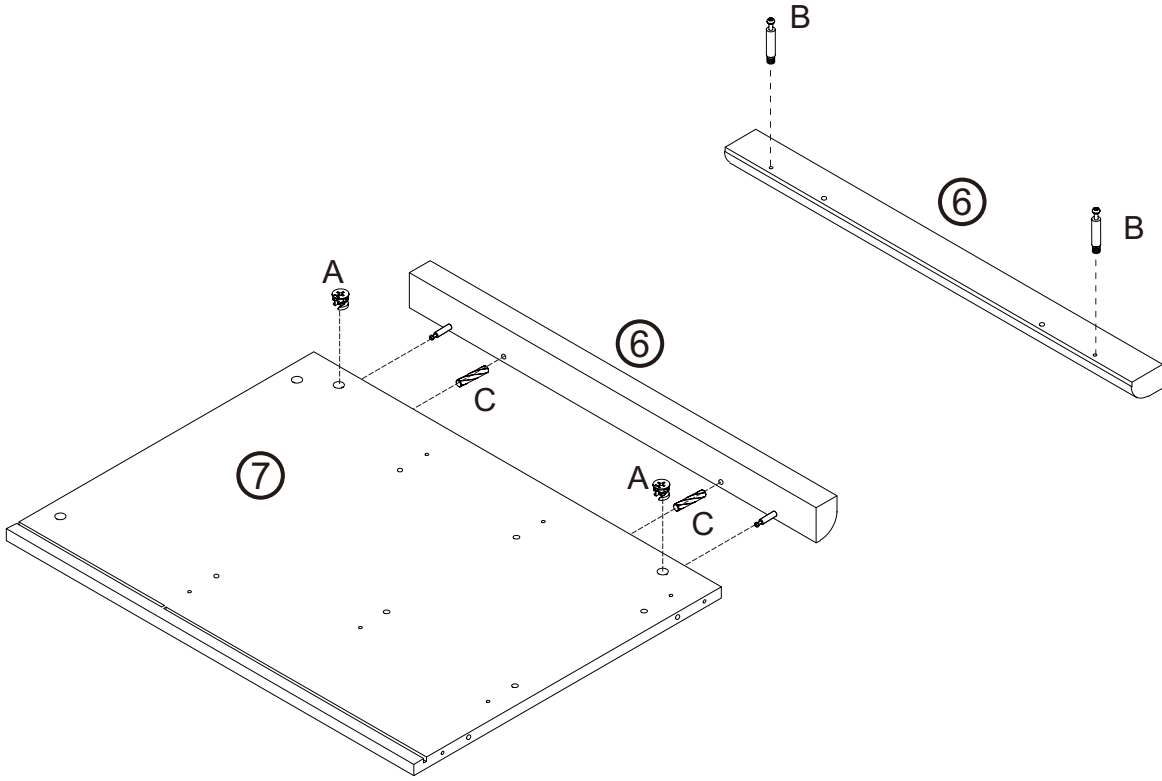
5

Tighten: Turn the eccentric wheel clockwise  
Loosen: Turn it anticlockwise



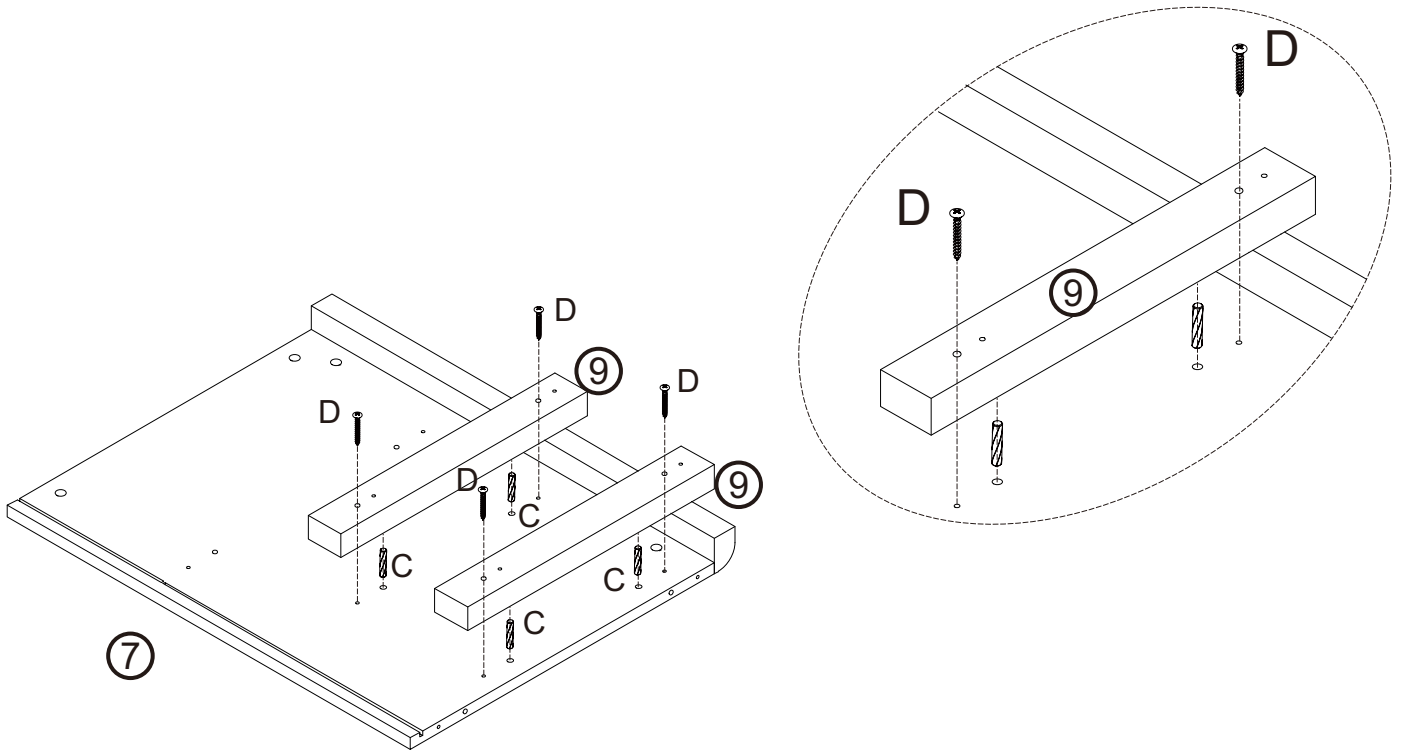
# Step 1

	Ax2
	Bx2
	Cx2






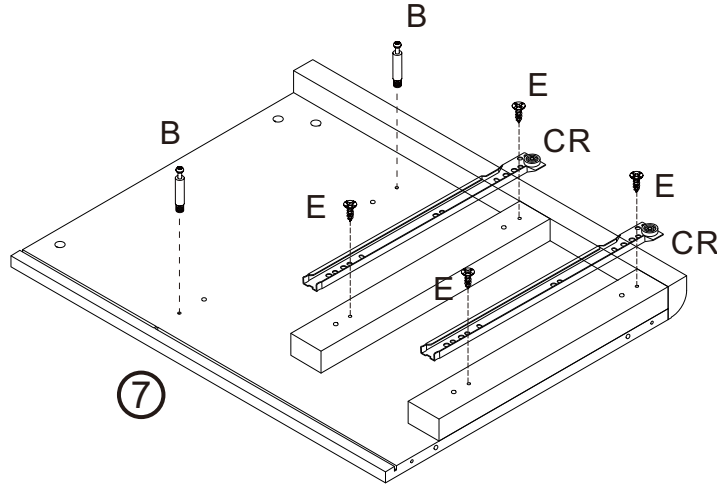
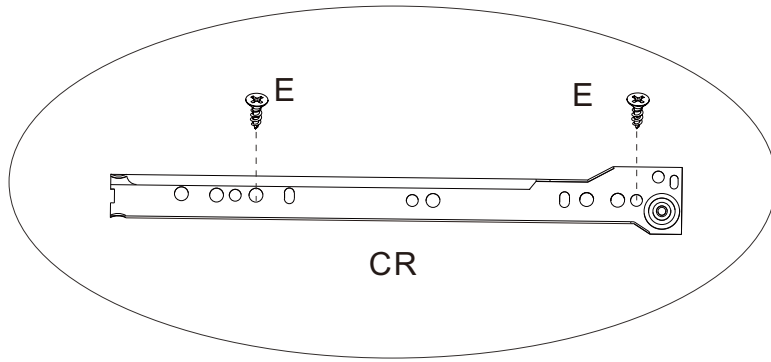
# Step 2

	Cx4
	Dx4


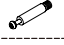



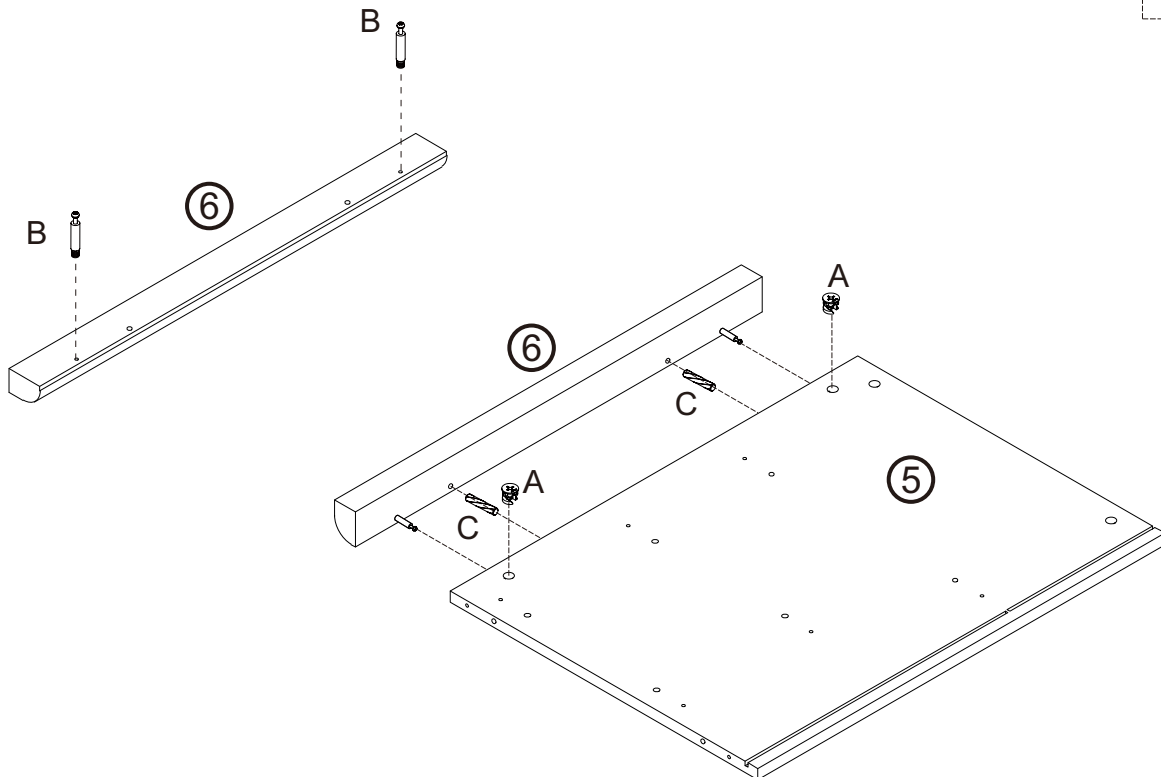
# Step 3

	Bx2
	Ex4
	CRx2



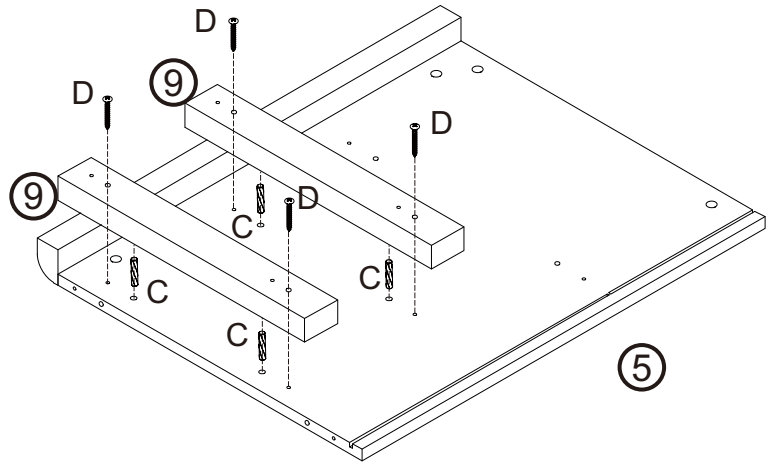
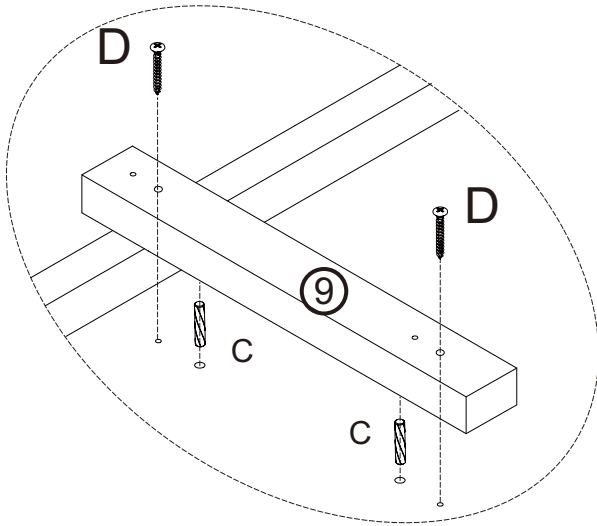
# Step 4

	Ax2
	Bx2
	Cx2



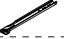


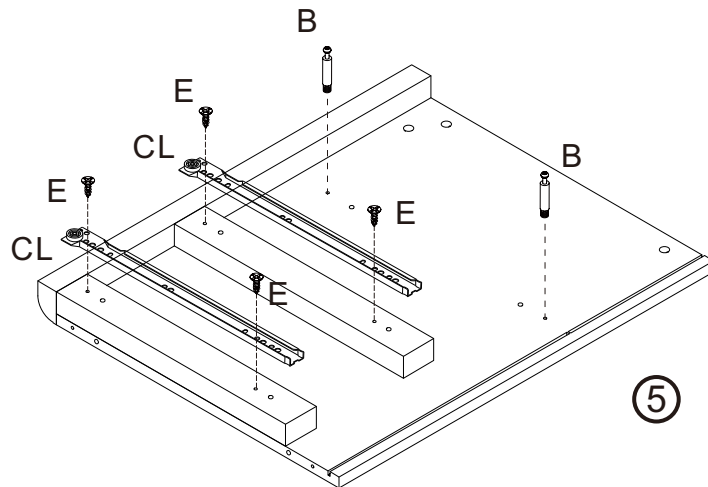
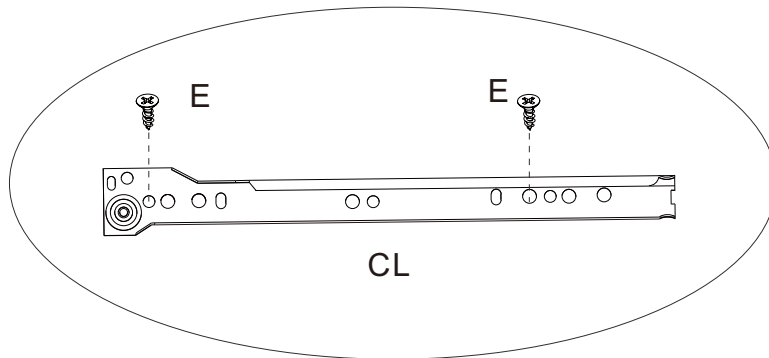
# Step 5

	Cx4
	Dx4



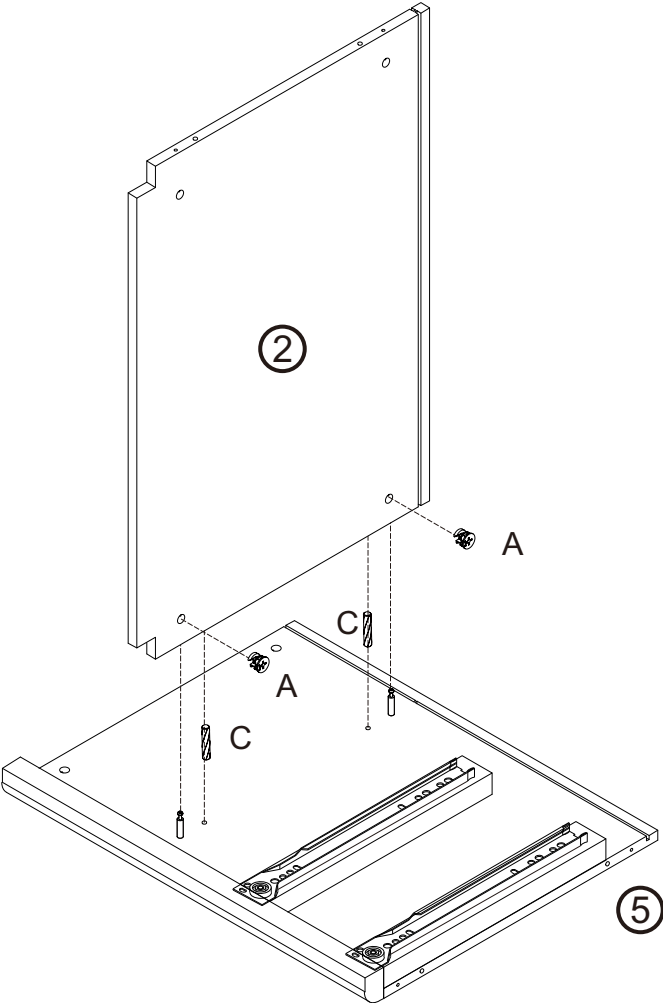
# Step 6

	Bx2
	Ex4
	CLx2





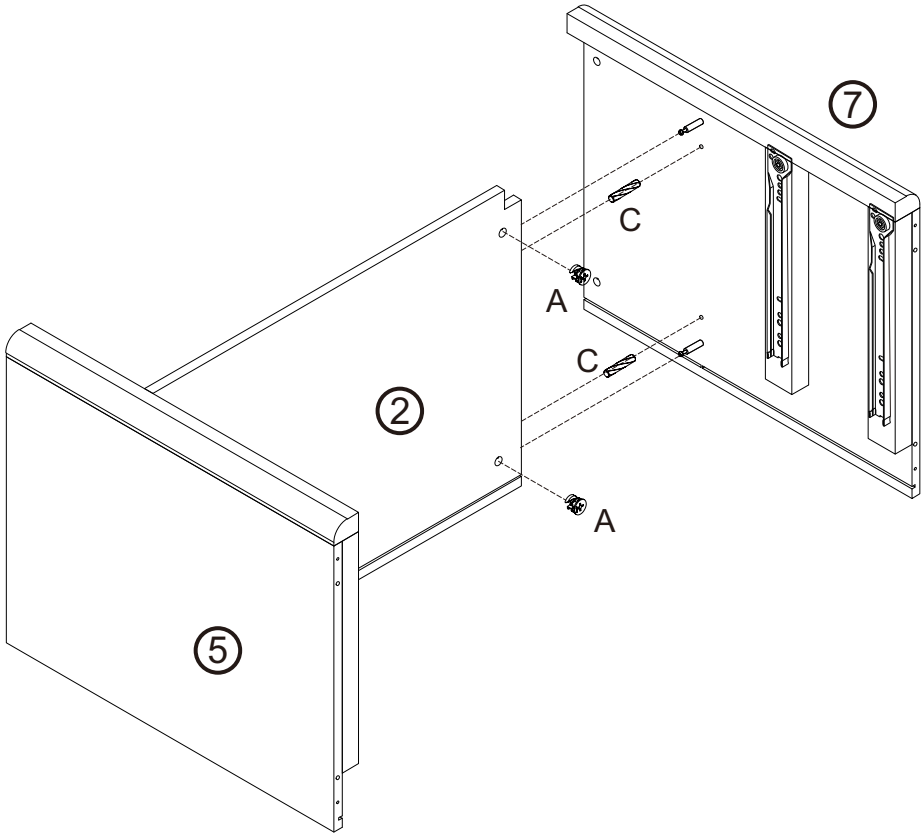
# Step 7

	Ax2
	Cx2

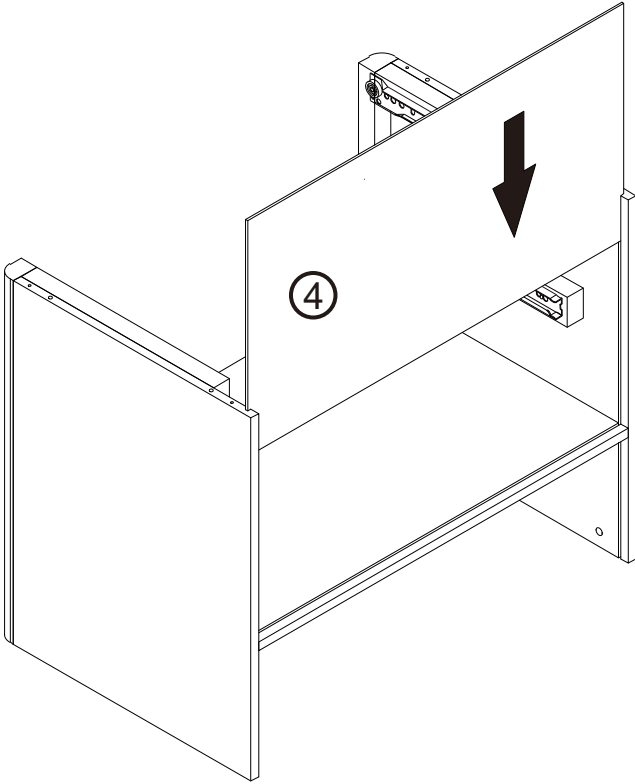


# Step 8

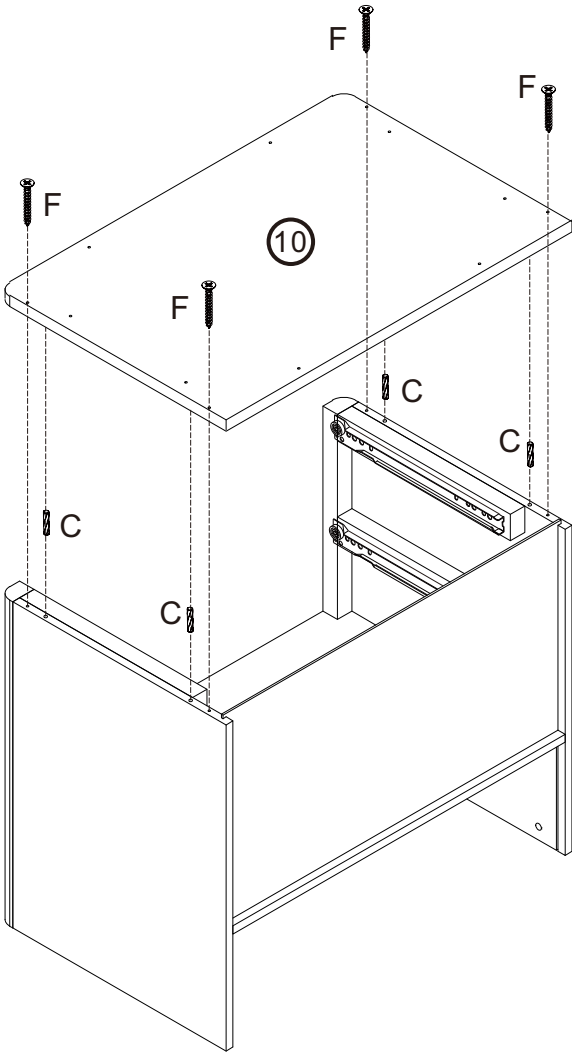
	Ax2
	Cx2



# Step 9



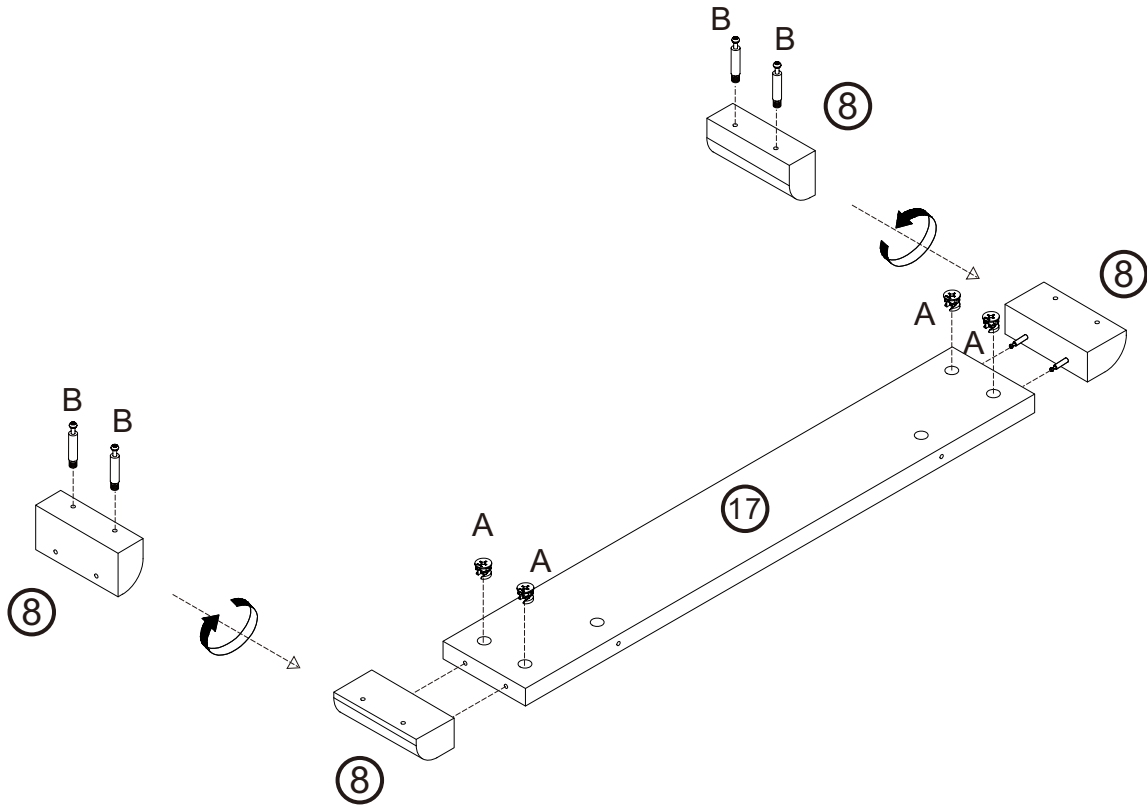
# Step 10



	Cx4
	Fx4

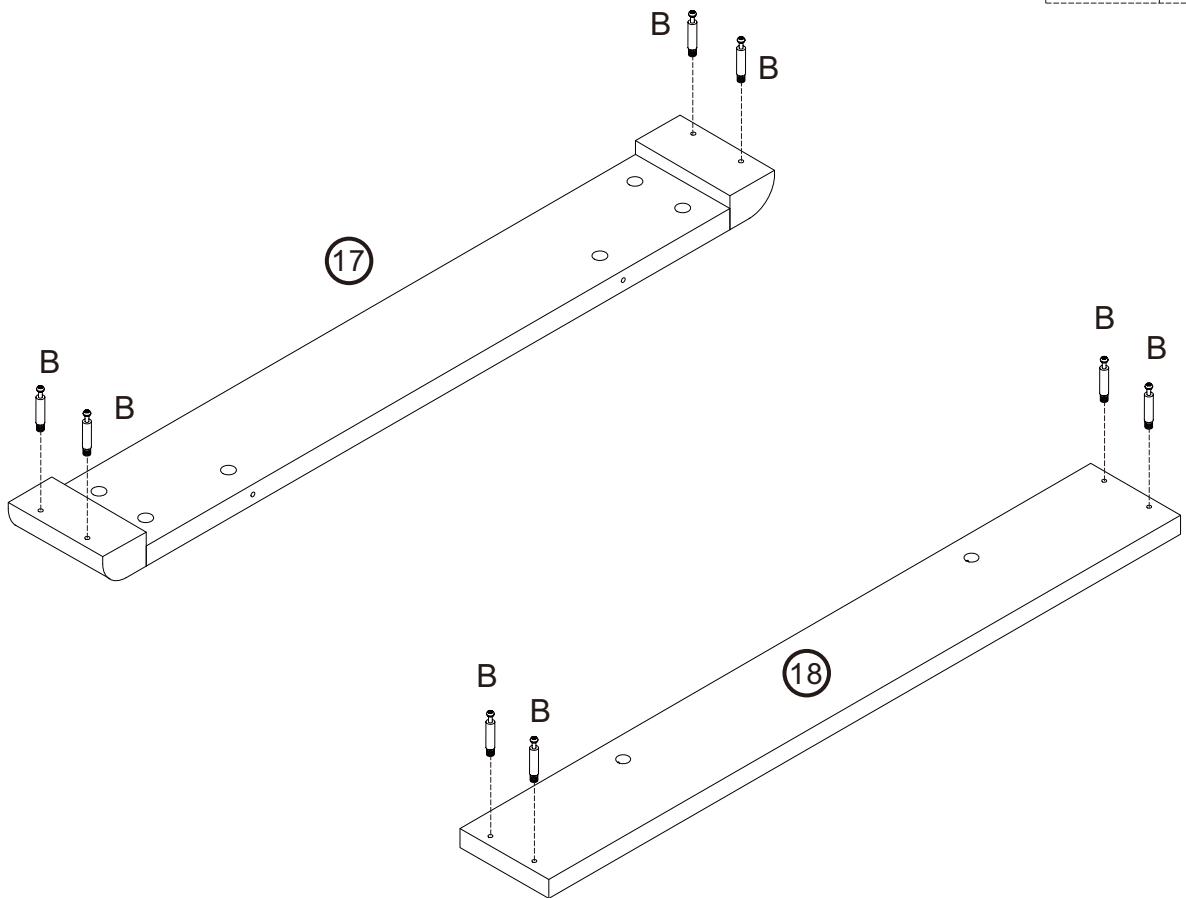
# Step 11

	Ax4
	Bx4



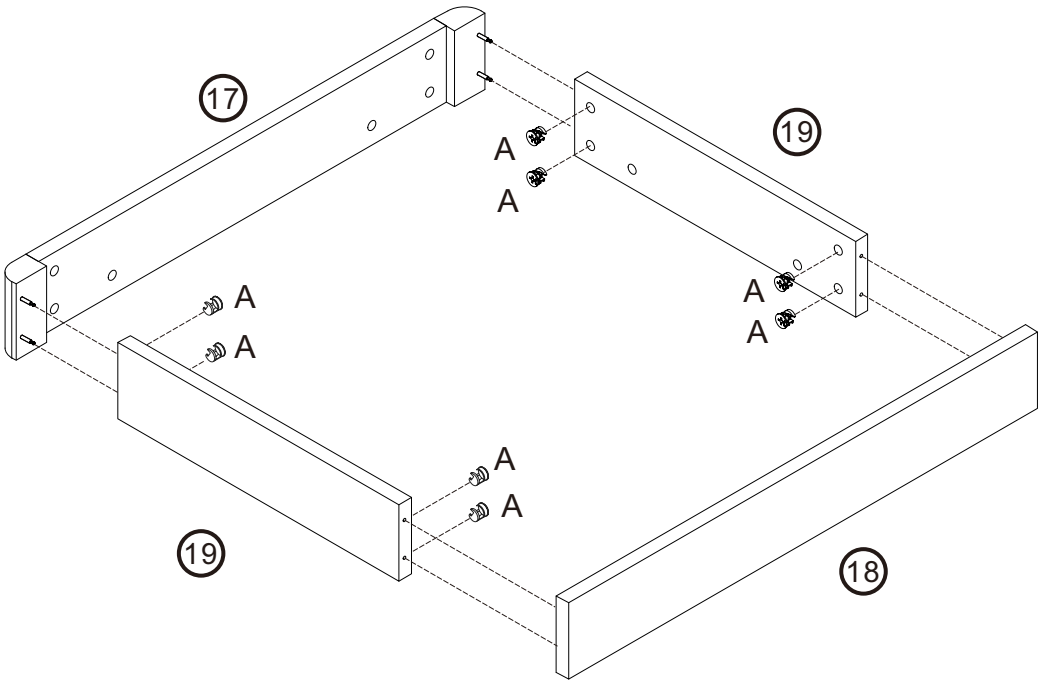
# Step 12

	Bx8
---	-----




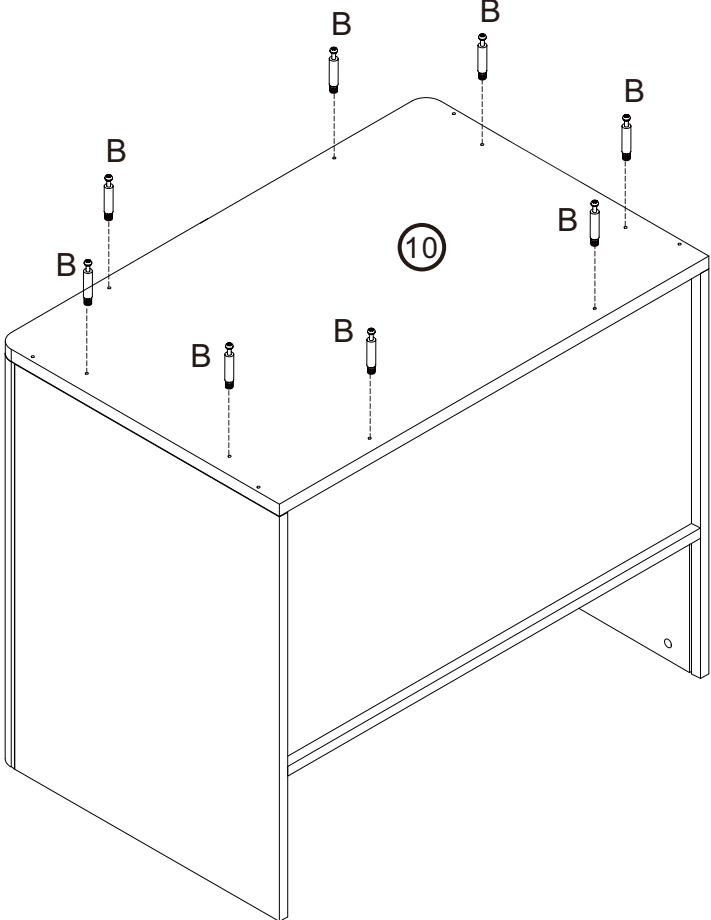
Step 13

 Ax8



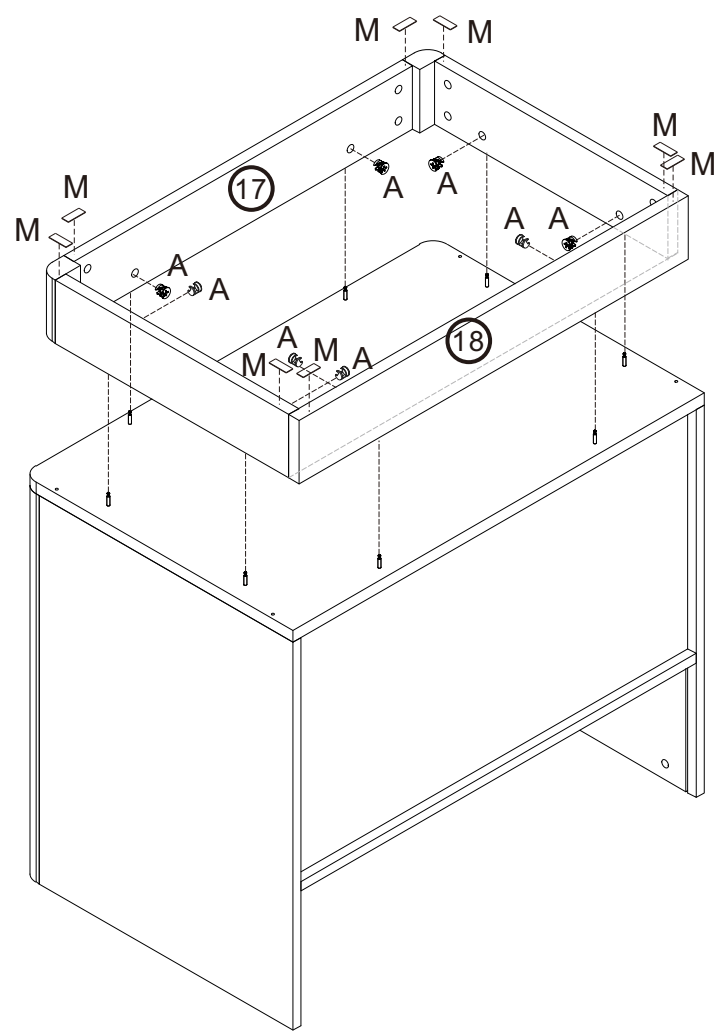
Step 14

 Bx8

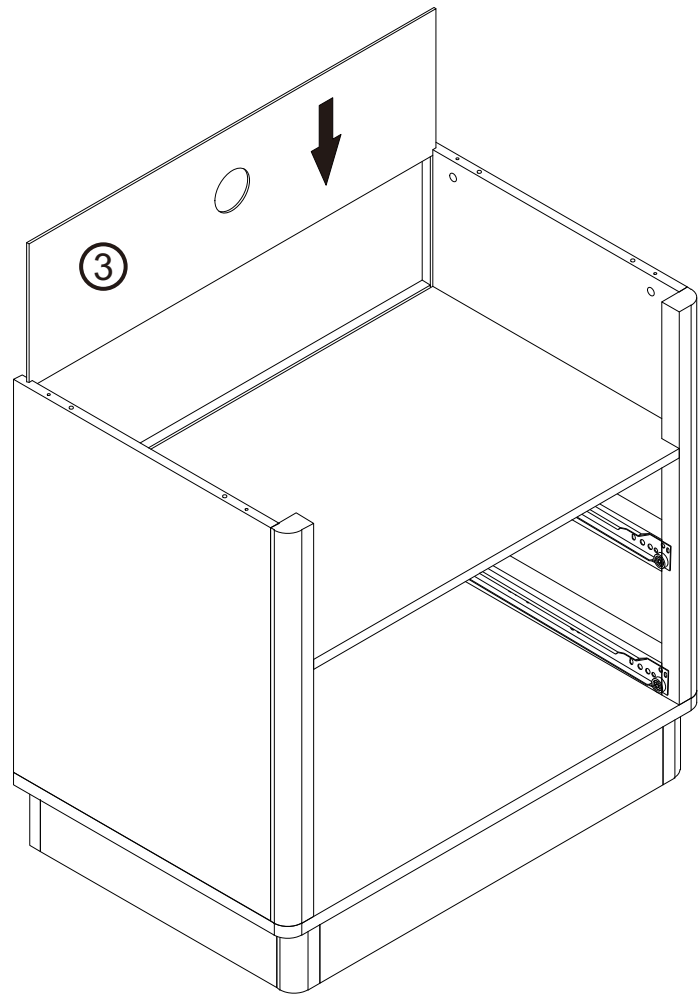


# Step 15

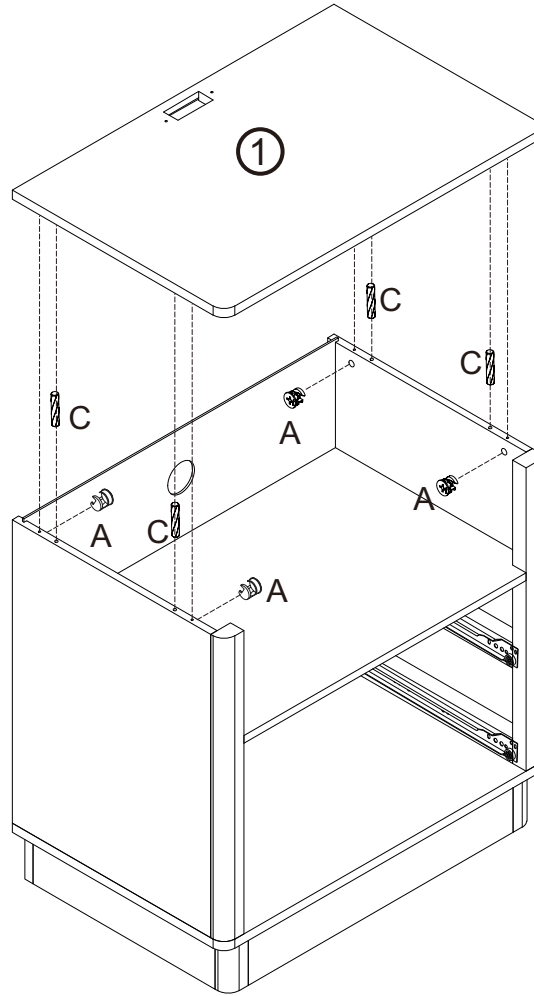
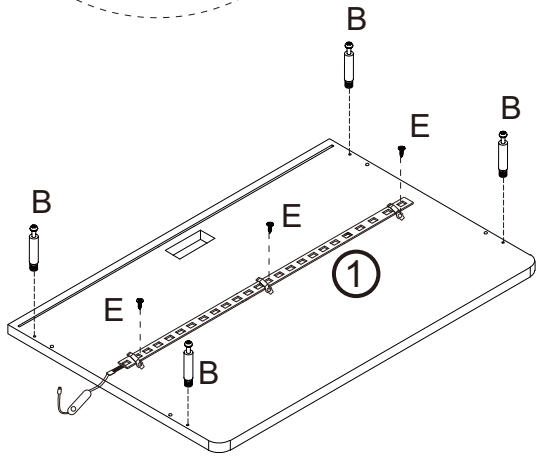
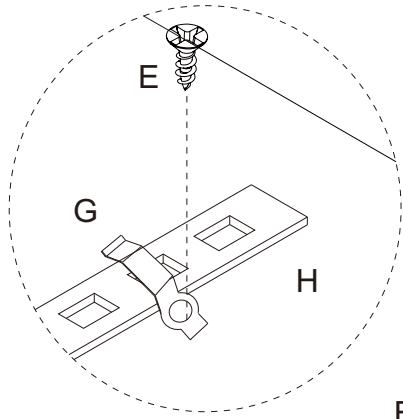
	Ax8
	Mx8



# Step 16

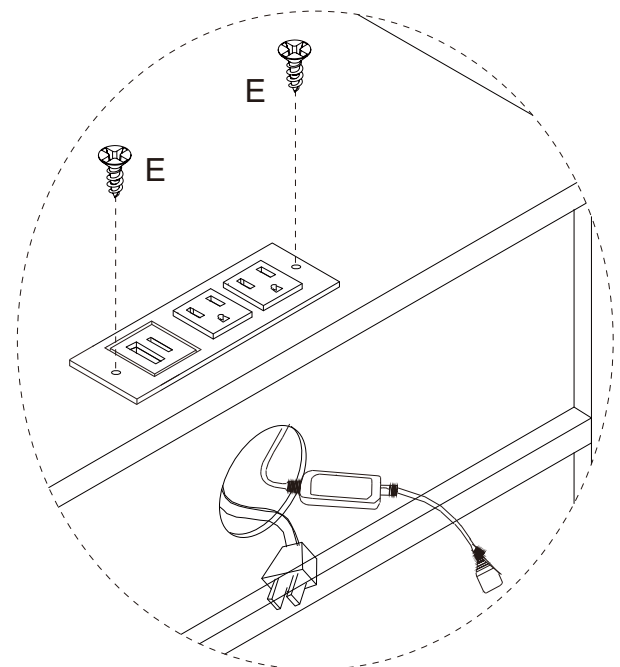
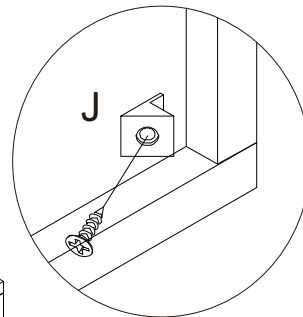
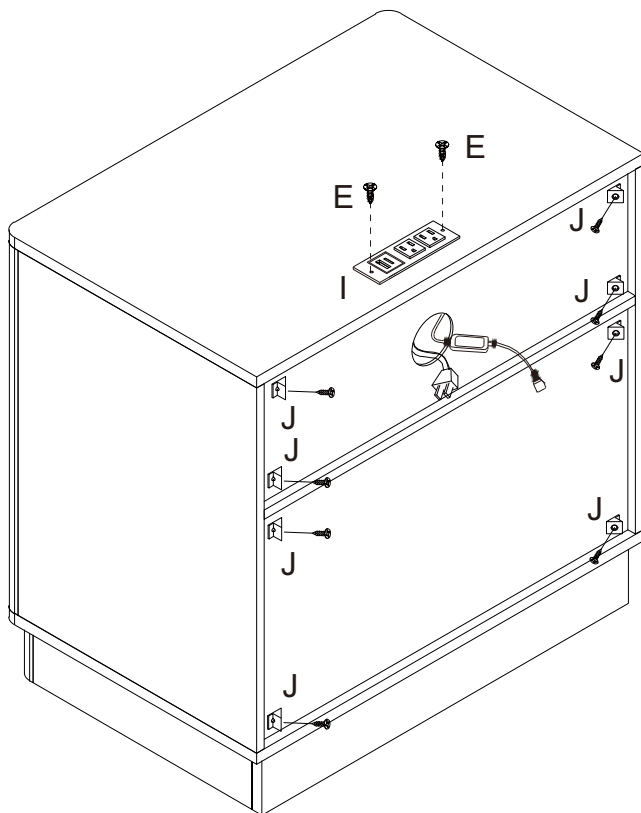


# Step 17



	Ax4
	Bx4
	Cx4
	Ex3
	Gx3
	Hx1

# Step 18

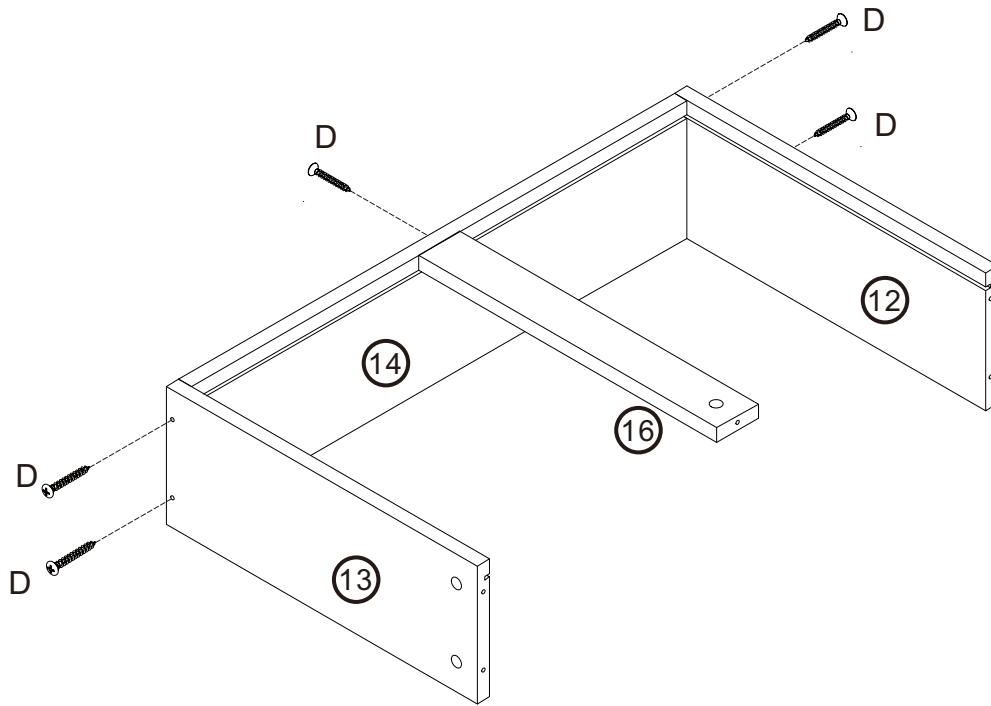


	Ex2
	Ix1
	Jx8

# Step 19

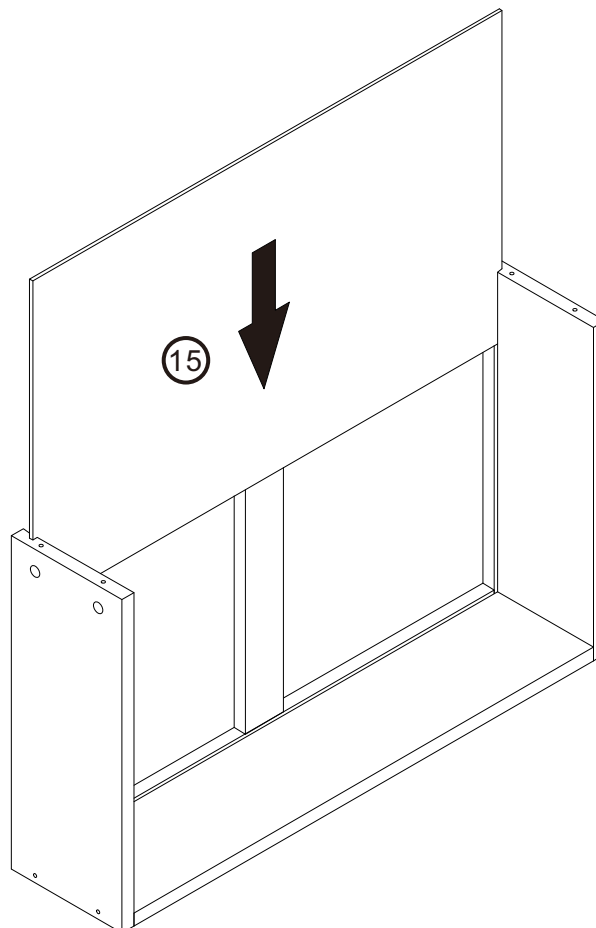


Dx10







x2

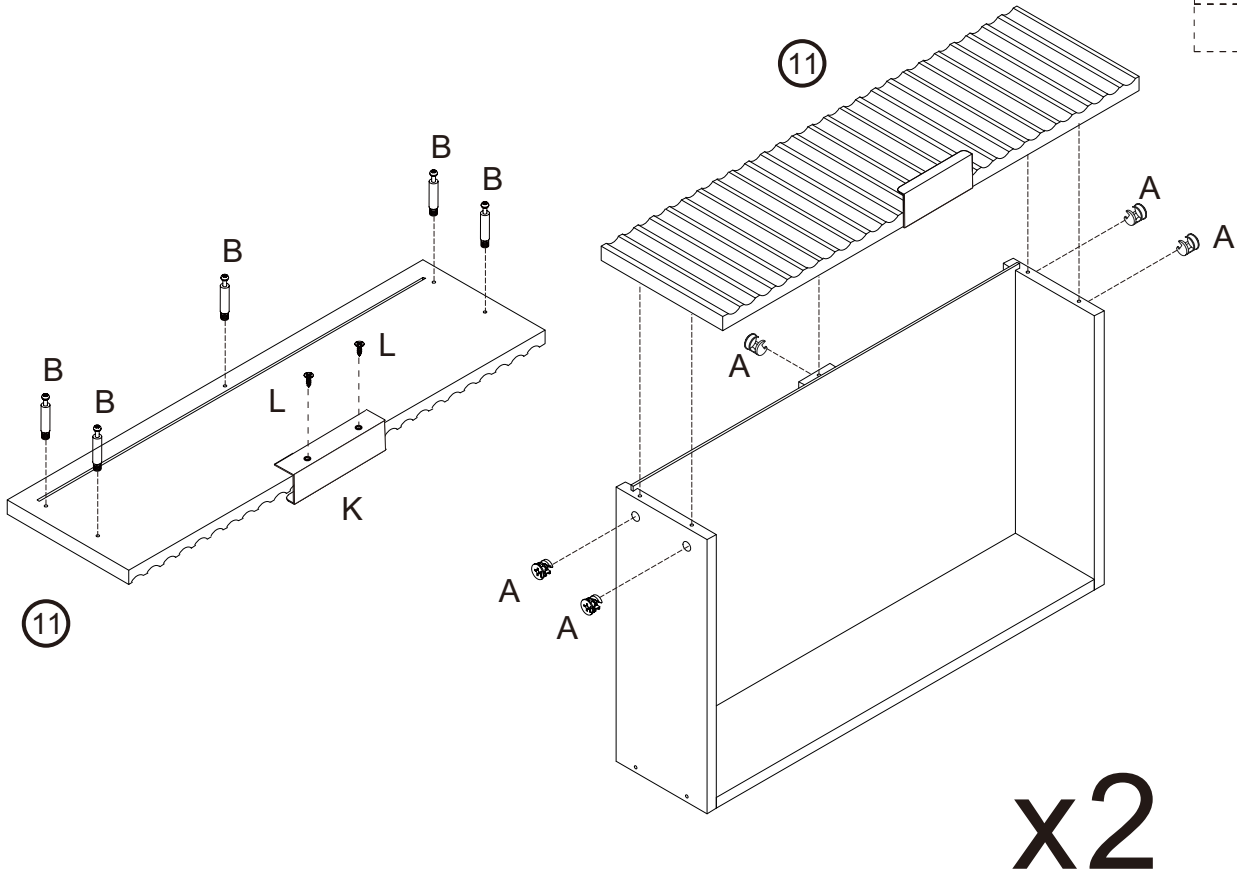
# Step 20



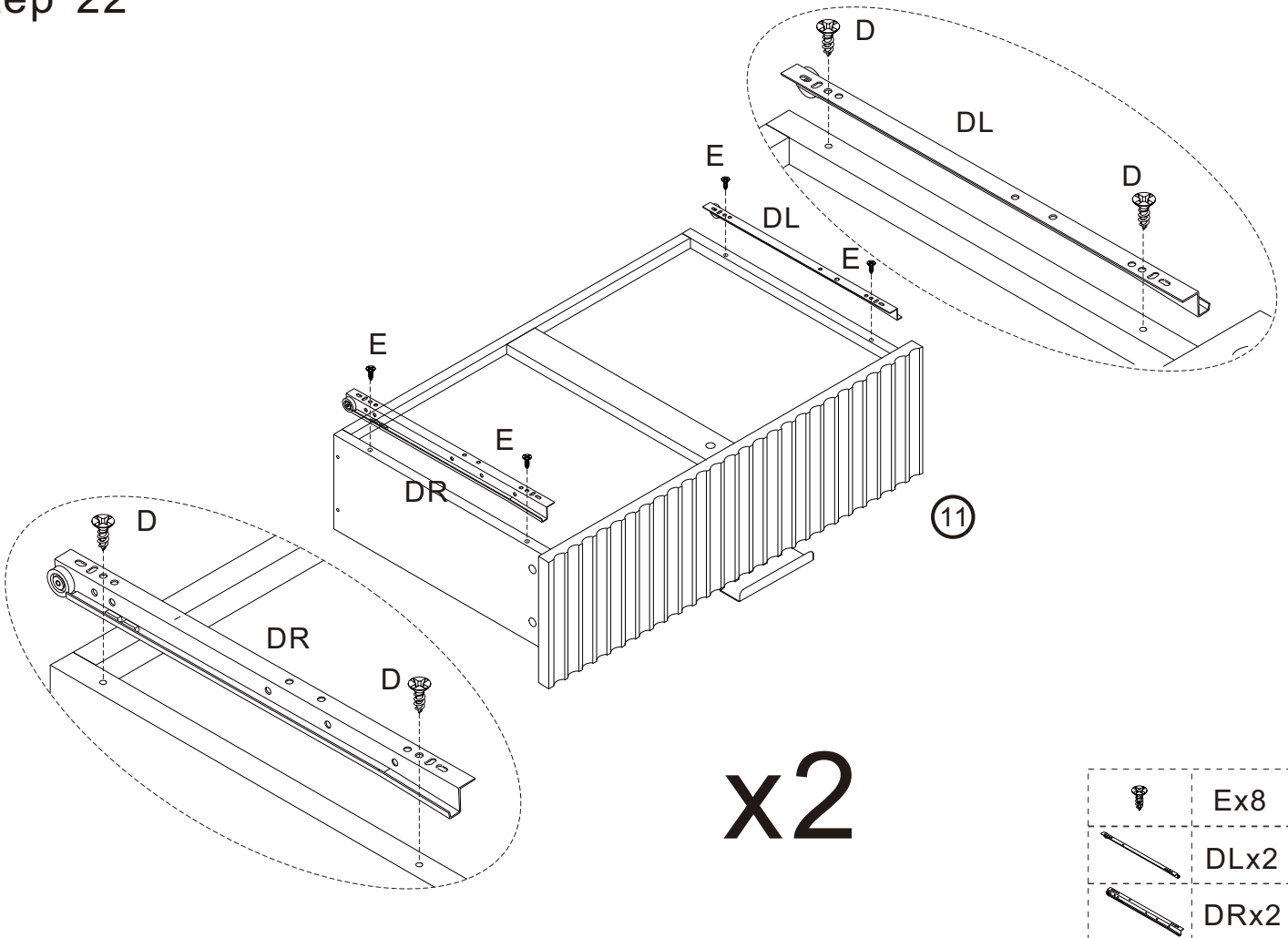
x2




# Step 21

	Ax10
	Bx10
	Kx2
	Lx4



# Step 22



	Ex8
	DLx2
	DRx2

# Step 23

