




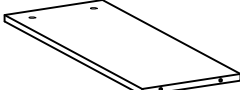

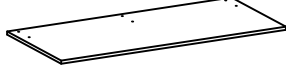

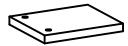

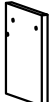
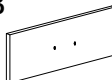
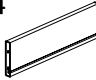
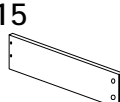

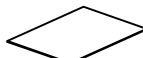


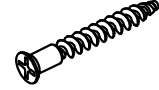








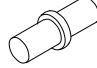
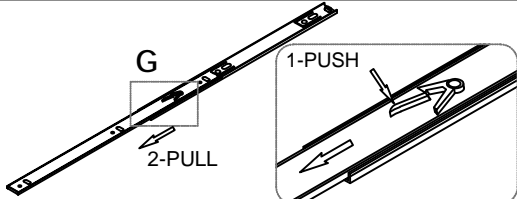
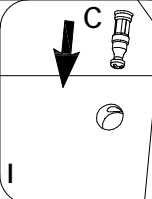
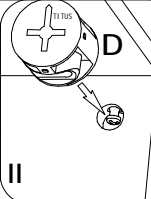
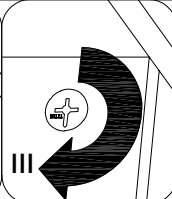
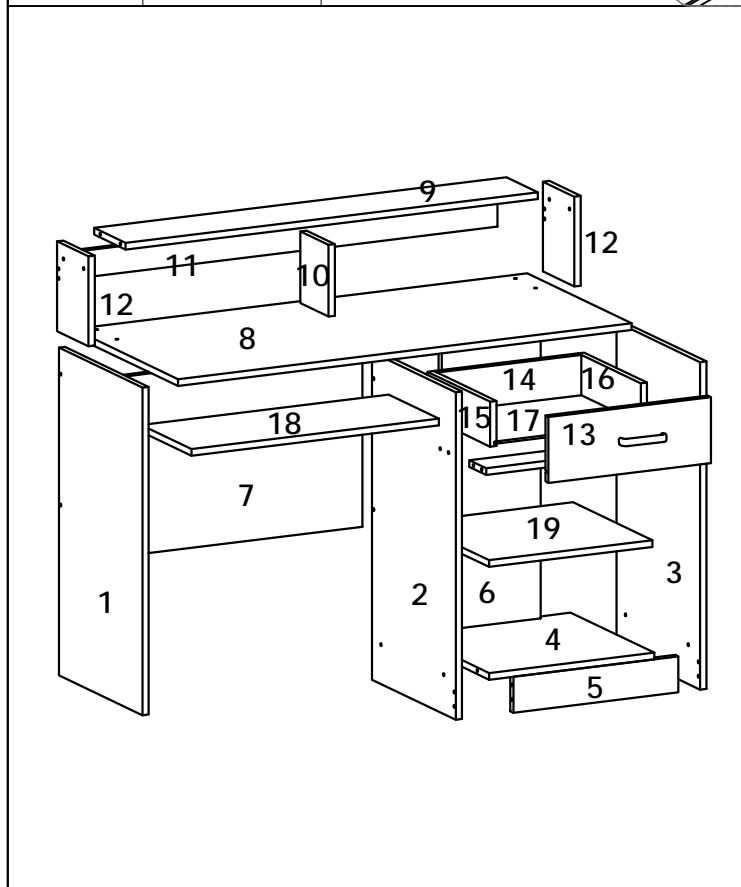
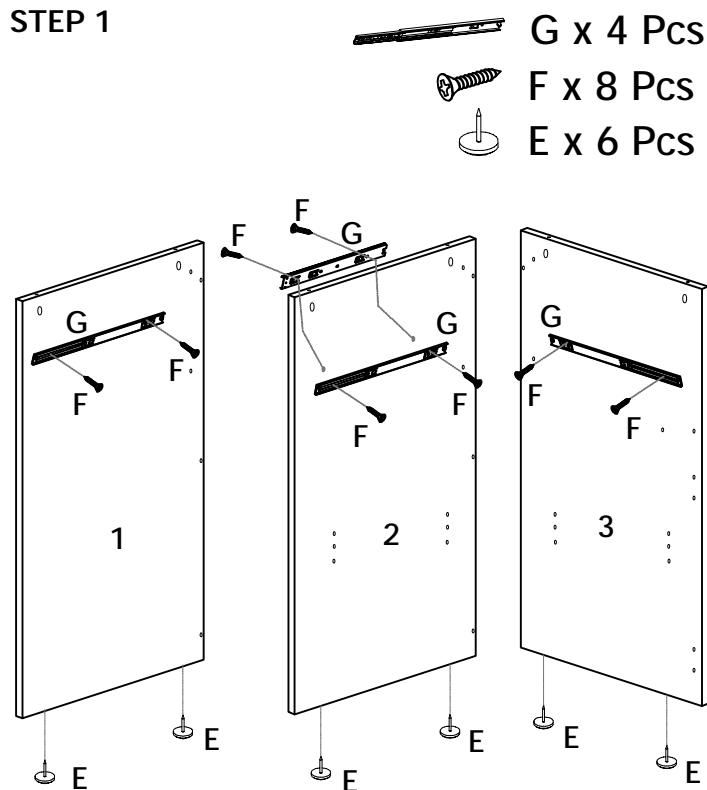


# ASSEMBLY INSTRUCTION

1  730*360 1 Pc	2  730*360 1 Pc	3  730*360 1 Pc	4  398*360 1 Pc	5  398*78 2 Pcs					
6  634*197 1 Pc	7  618*298 1 Pc	8  1098*498 1 Pc	9  998*148 1 Pc	10  160*132 1 Pc					
11  998*55 1 Pc	12  198*148 2 Pcs	13  393*145 1 Pc	14  348*97 1 Pc	15  300*97 1 Pc	16  300*97 1 Pc	17  295*358 1 Pc	18  598*238 1 Pc		
19  396*344 1 Pc	A  M7*40 31 Pcs	B  M5*40 4 Pcs	C  14 Pcs	D  14 Pcs	E  6 Pcs	F  M3.5*12 16 Pcs	G  4 Pcs	H  1 Pc	
I  M4*22 2 Pcs	J  4 Pcs								



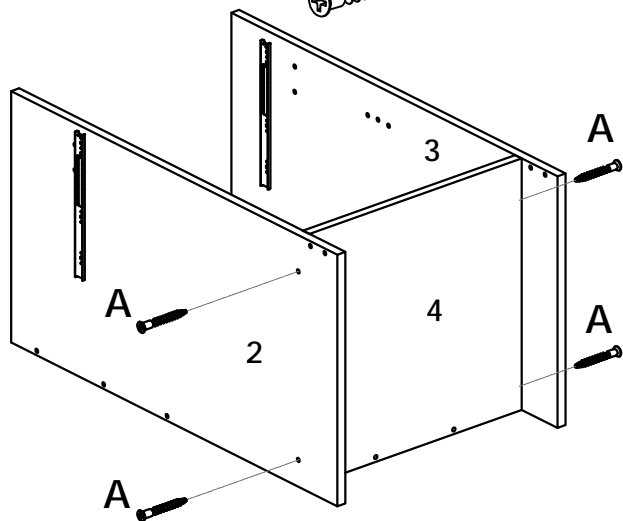
## STEP 1



# ASSEMBLY INSTRUCTION

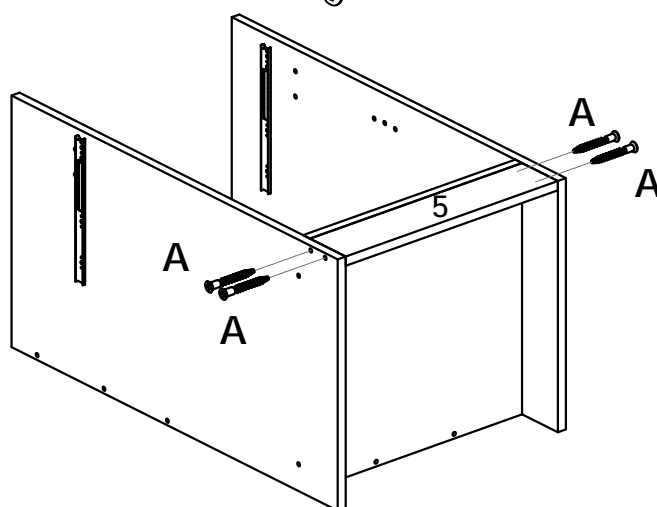
STEP 2

 A x 4 Pcs



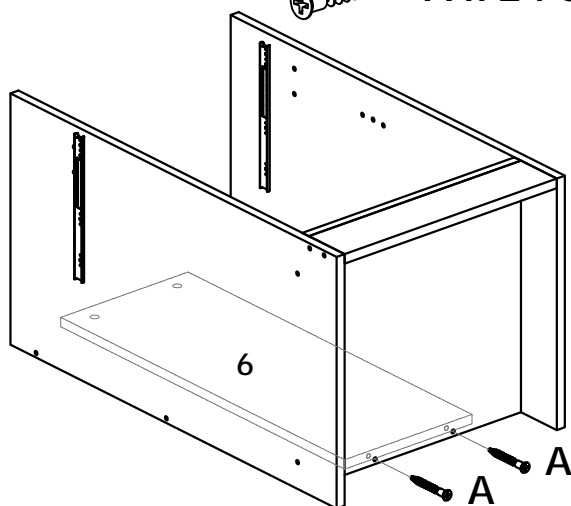
STEP 3

 A x 4 Pcs



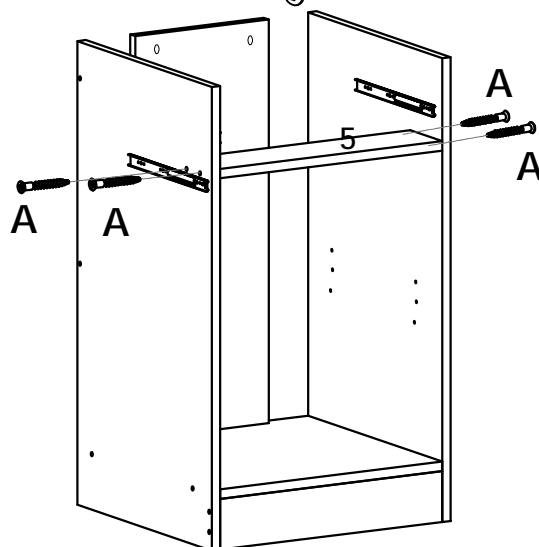
STEP 4

 A x 2 Pcs



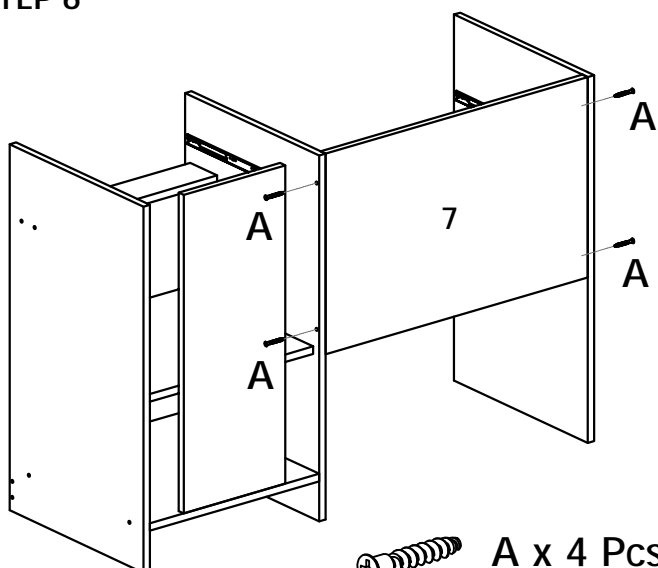
STEP 5

 A x 4 Pcs





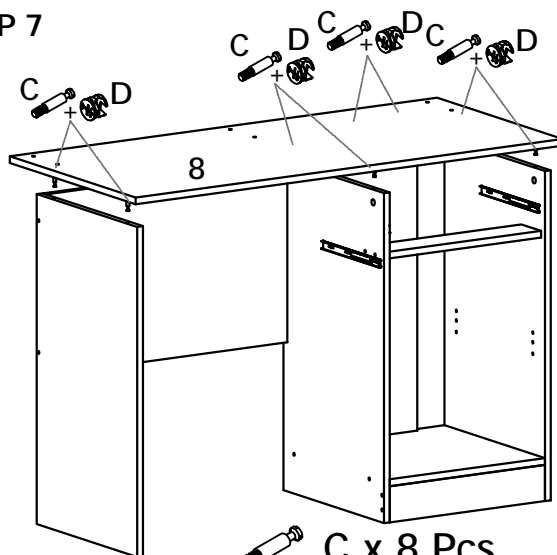
STEP 6

 A x 4 Pcs



STEP 7

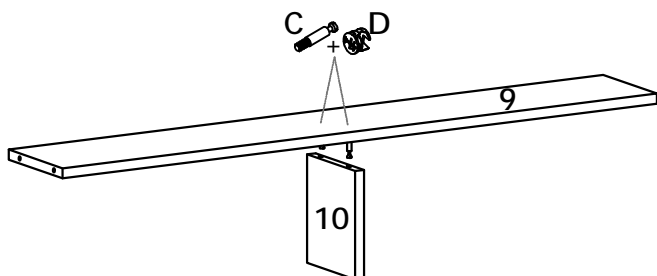
 C x 8 Pcs  
 D x 8 Pcs



# ASSEMBLY INSTRUCTION

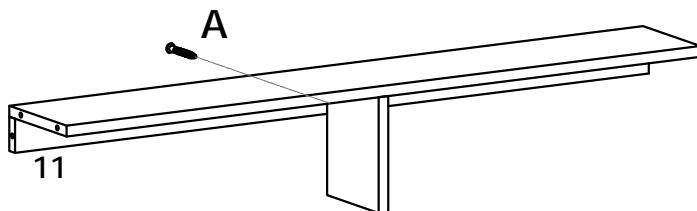
STEP 8

C x 2 Pcs  
D x 2 Pcs



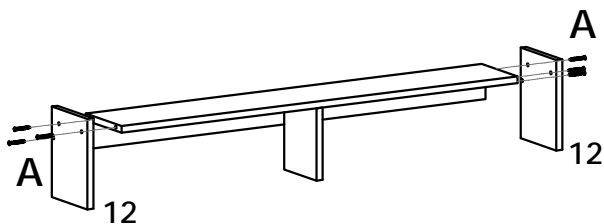
STEP 9

A x 1 Pc



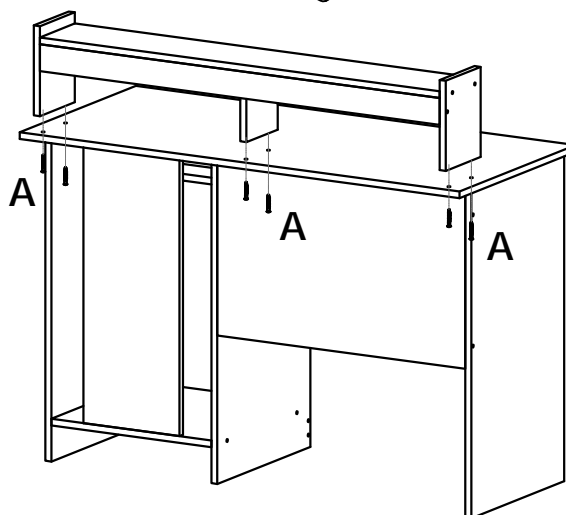
STEP 10

A x 6 Pcs

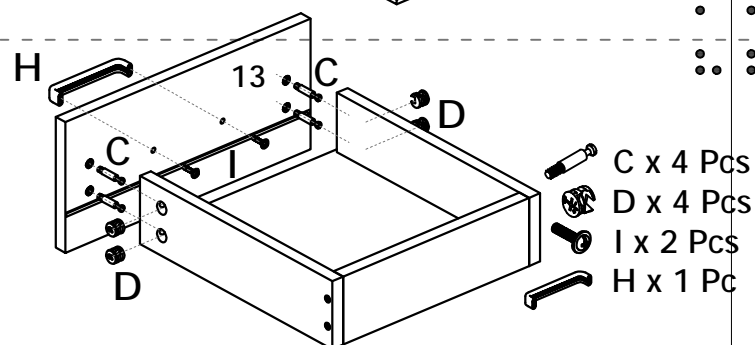
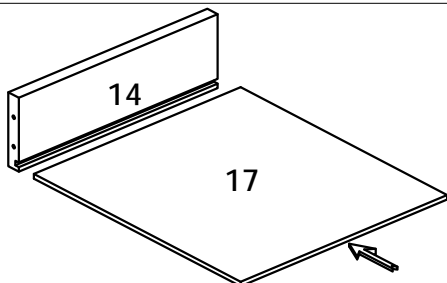


STEP 11

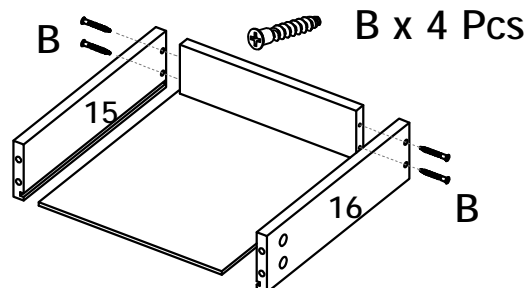
A x 6 Pcs



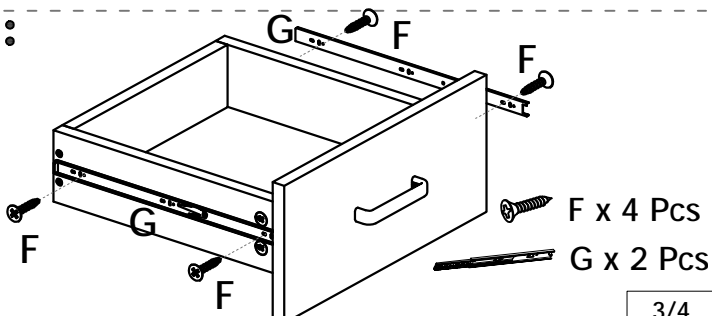
STEP 12



C x 4 Pcs  
D x 4 Pcs  
I x 2 Pcs  
H x 1 Pc



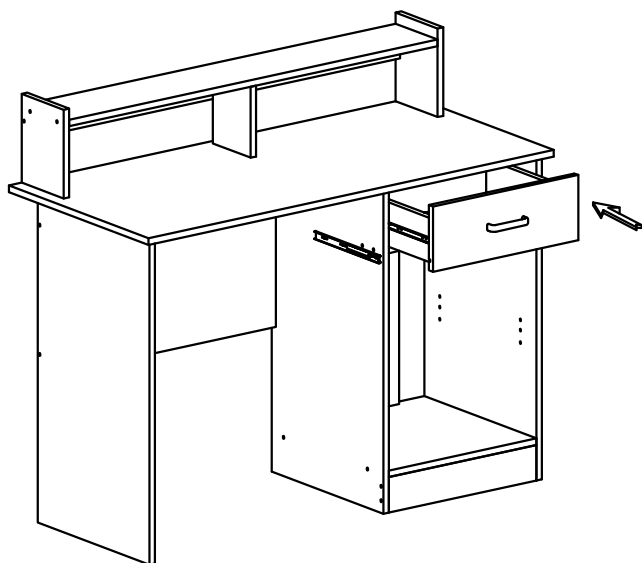
B x 4 Pcs



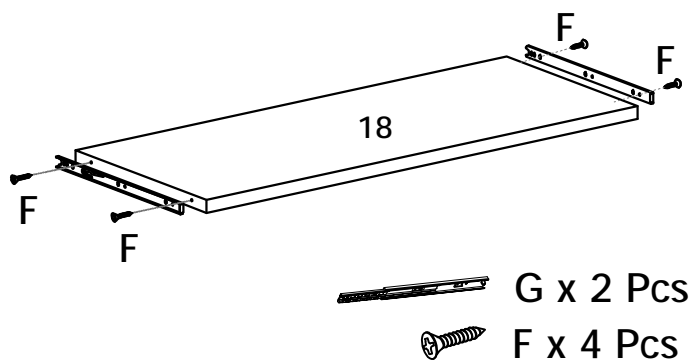
F x 4 Pcs  
G x 2 Pcs

# ASSEMBLY INSTRUCTION

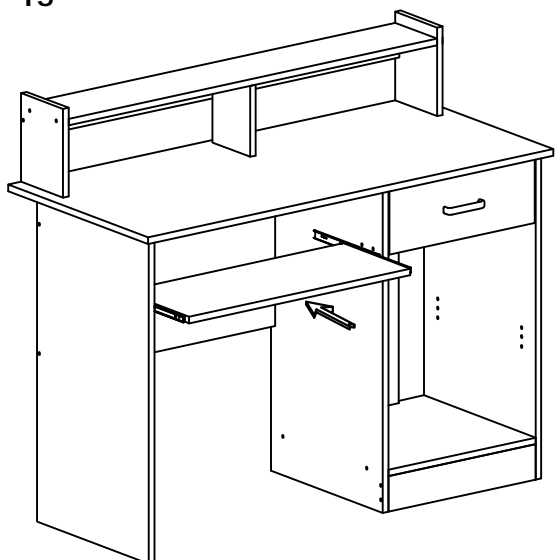
STEP 13



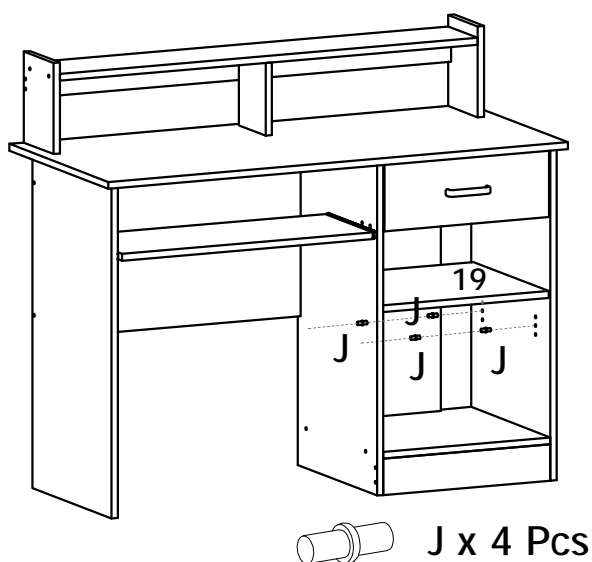
STEP 14



STEP 15



STEP 16



STEP 17

