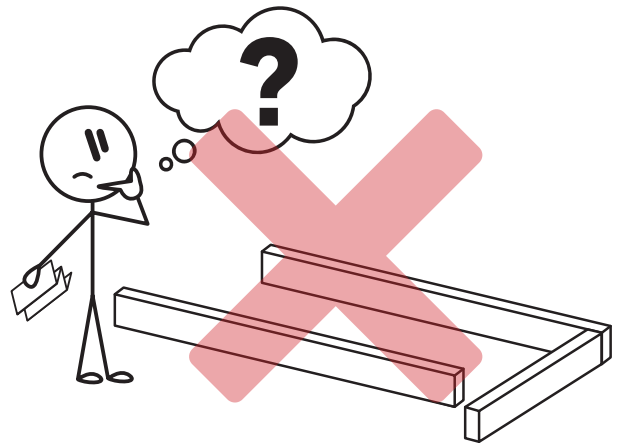
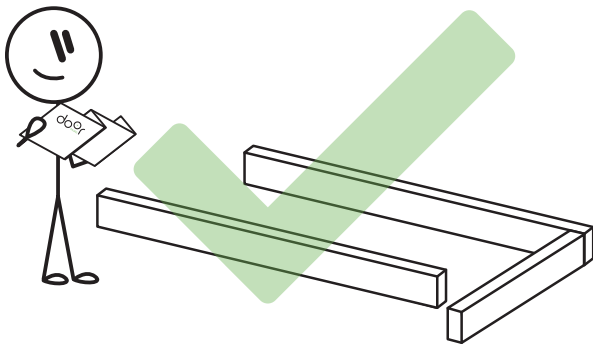
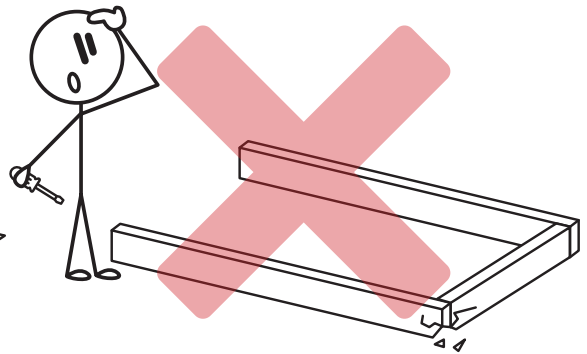
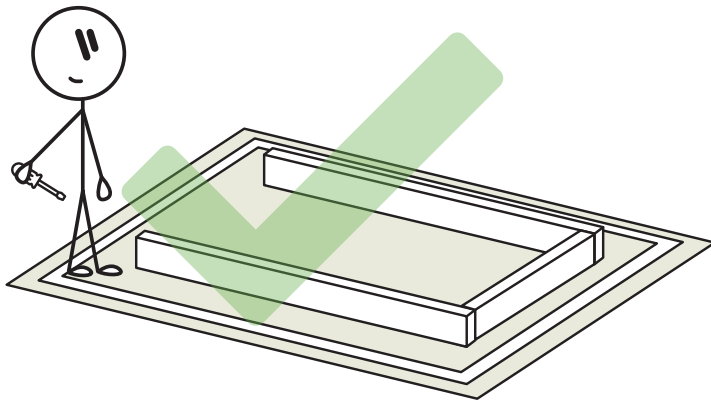
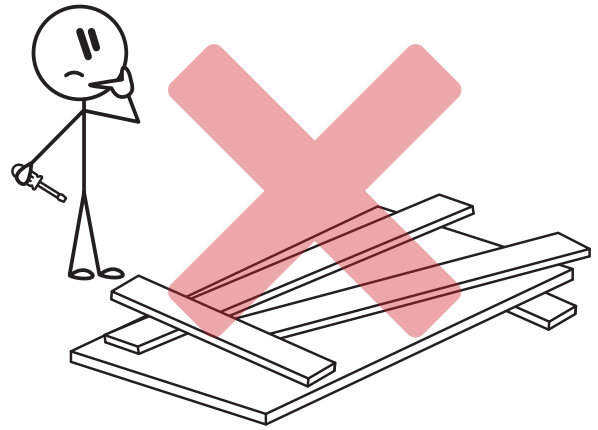
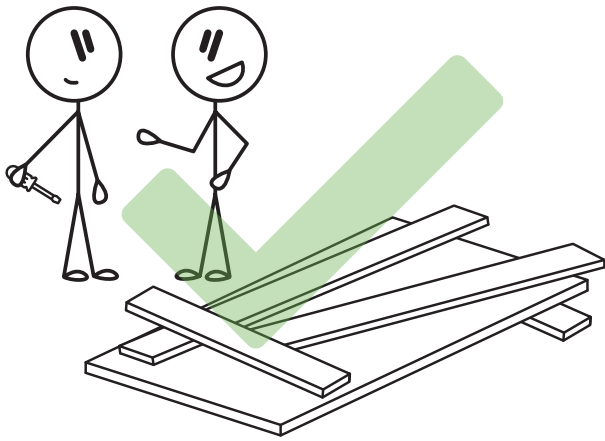


door<sup>+</sup>  
more

# SINGLE DOOR WITH FRAME ASSEMBLY

Single Door Frame Assembly Instructions - 80"H, 4-9/16" Jamb, Right Hand Inswing



**IMPROPER INSTALLATION OR USE OF THIS PRODUCT MAY RESULT IN INJURY OR DAMAGE.**

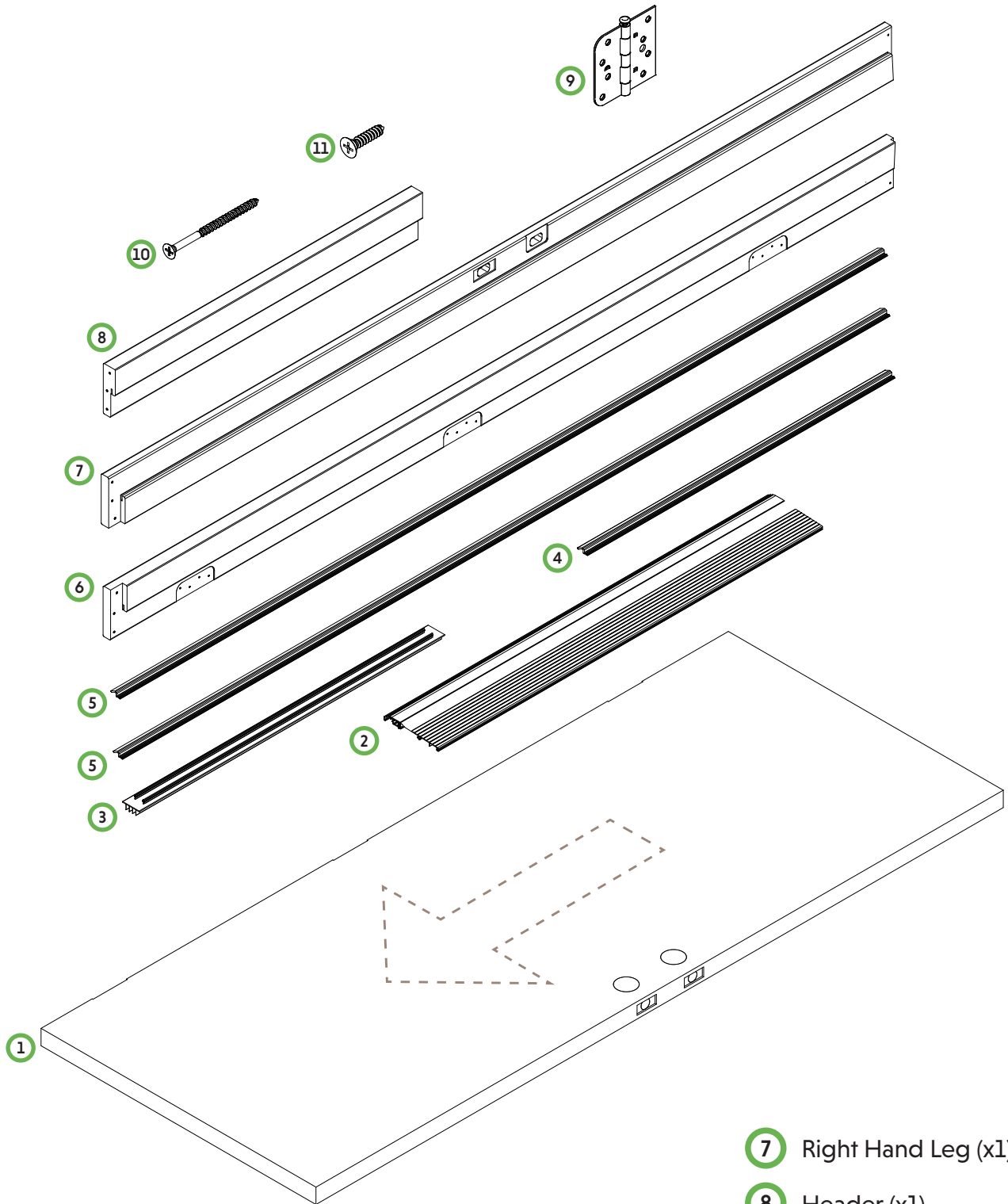
**TO ENSURE SAFE INSTALLATION AND USE, FOLLOW THESE PRECAUTIONS:**

- ALWAYS follow the provided installation instructions carefully.
- NEVER install the door frame on an unstable or uneven surface.
- NEVER allow children to hang, swing, or climb on the door or frame.
- ENSURE all screws and fittings are securely tightened before use.
- DO NOT force the door into place if alignment issues occur adjust the frame accordingly.
- DO NOT modify or remove any structural components, as this may compromise stability and safety.
- USE appropriate tools and safety gear during installation.





## YOUR TITLE HERE DOOR KIT INCLUDES THE FOLLOWING COMPONENTS



1 Door (x1)

2 Threshold (x1)

3 Door Sweep (x1)

4 Header Weatherstrip (x1)

5 Leg Weatherstrip (x2)

6 Left Hand Leg (x1)

7 Right Hand Leg (x1)

8 Header (x1)

9 Hinge (x3)

10 Frame Screw (x10)  
(#6 x 2-1/4)

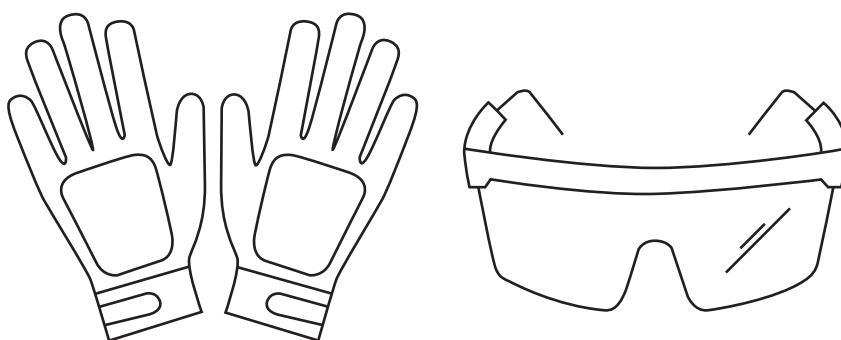
11 Hinge Screw (x24)  
(#8 x 3/4)



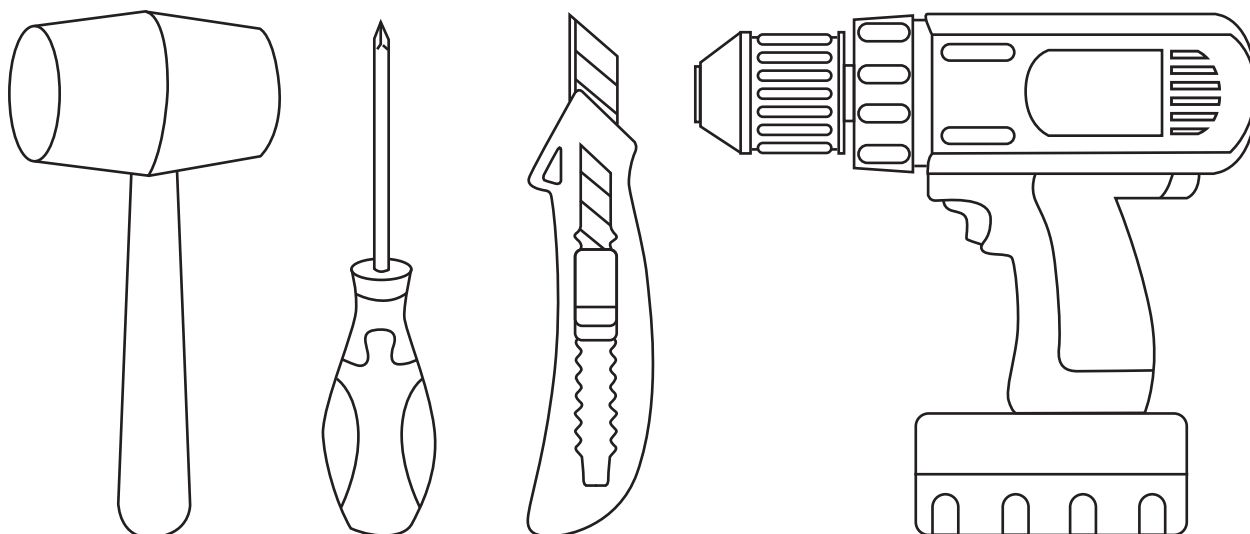
Note: If any parts are missing or damaged, please file a claim at <https://www.doornmore.com/help/claim.html>. Be sure to have your order number and product details ready for faster assistance.



## PROTECTIVE EQUIPMENT (PPE)



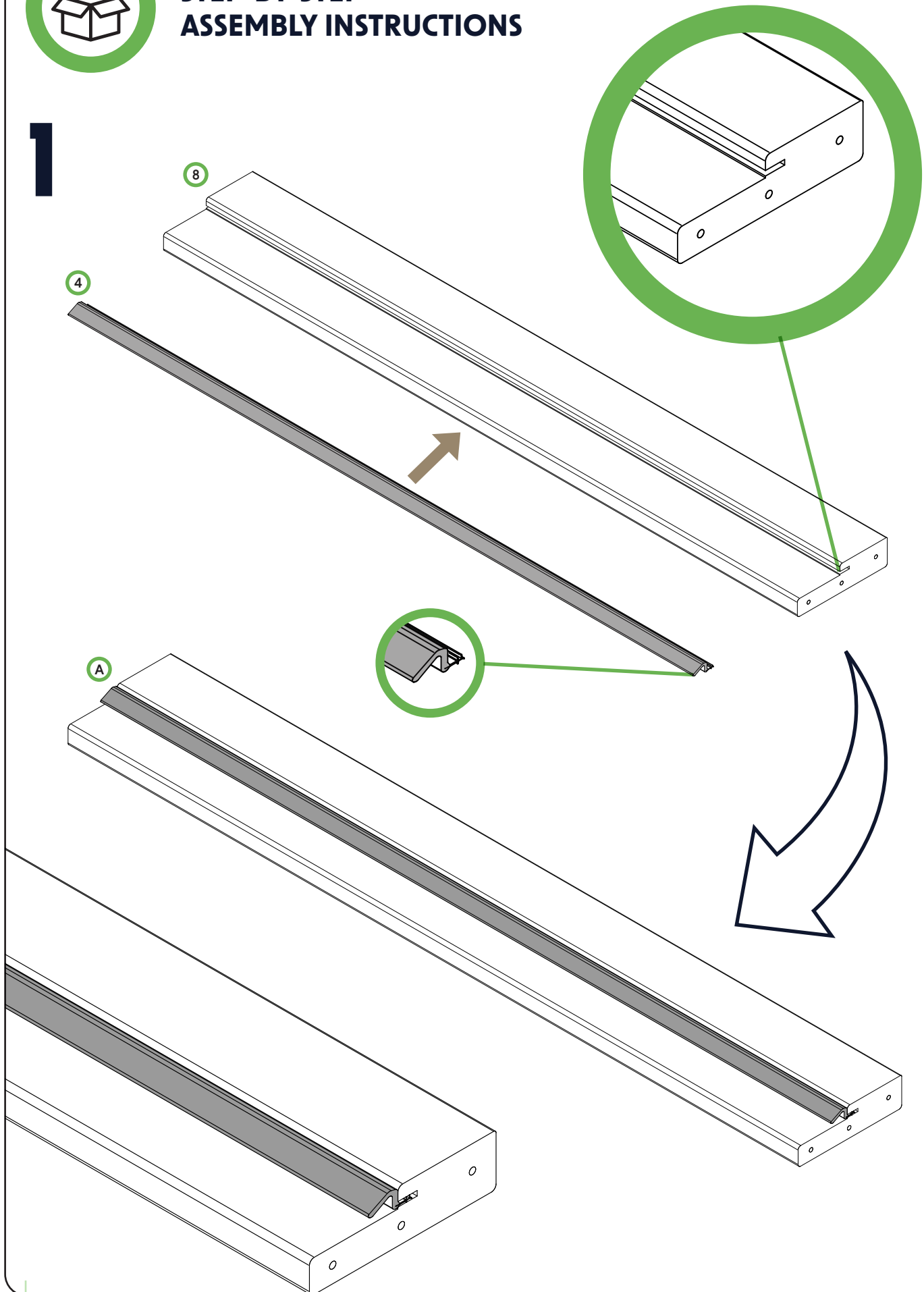
## EQUIPMENT NEEDED





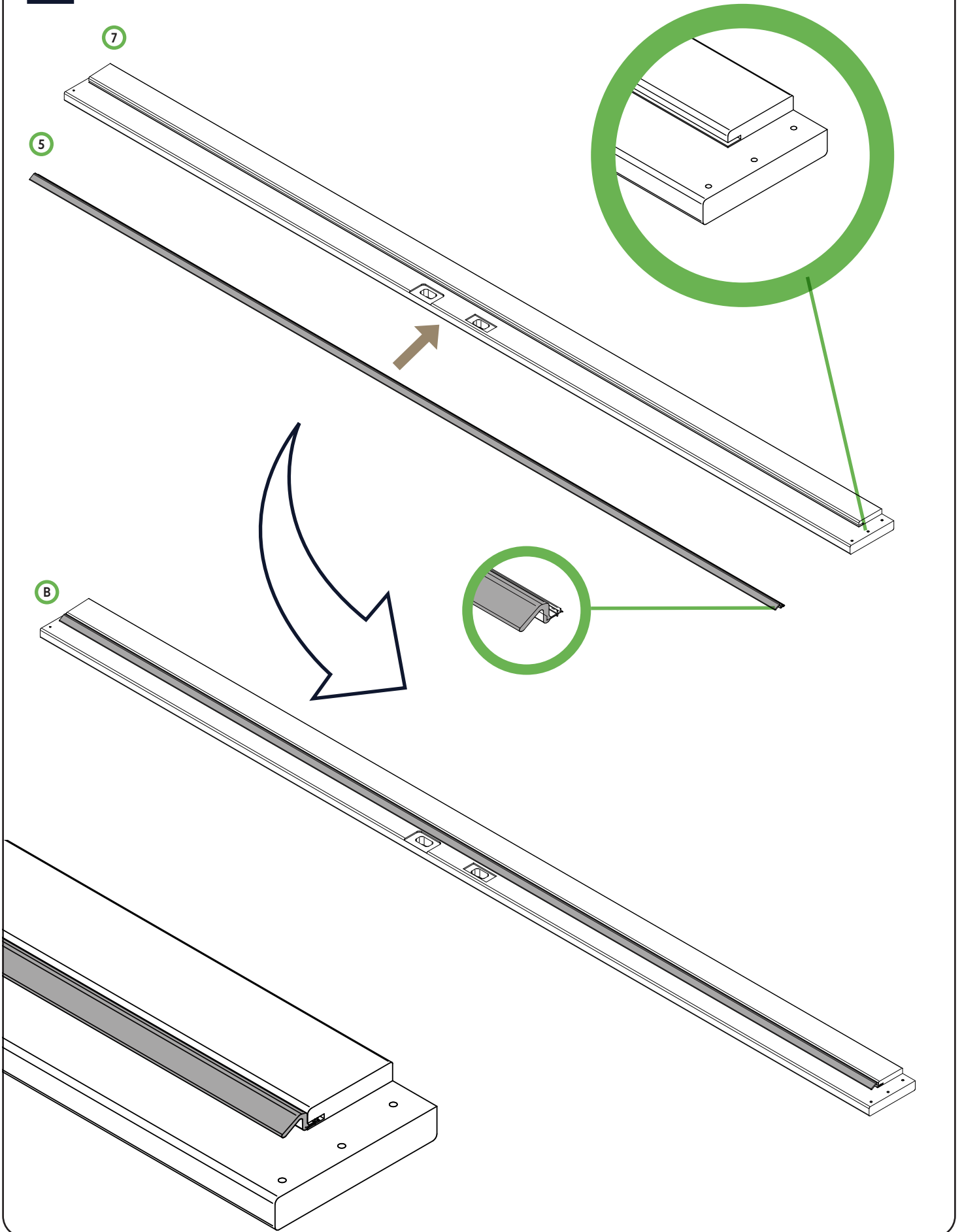
# STEP-BY-STEP ASSEMBLY INSTRUCTIONS

1



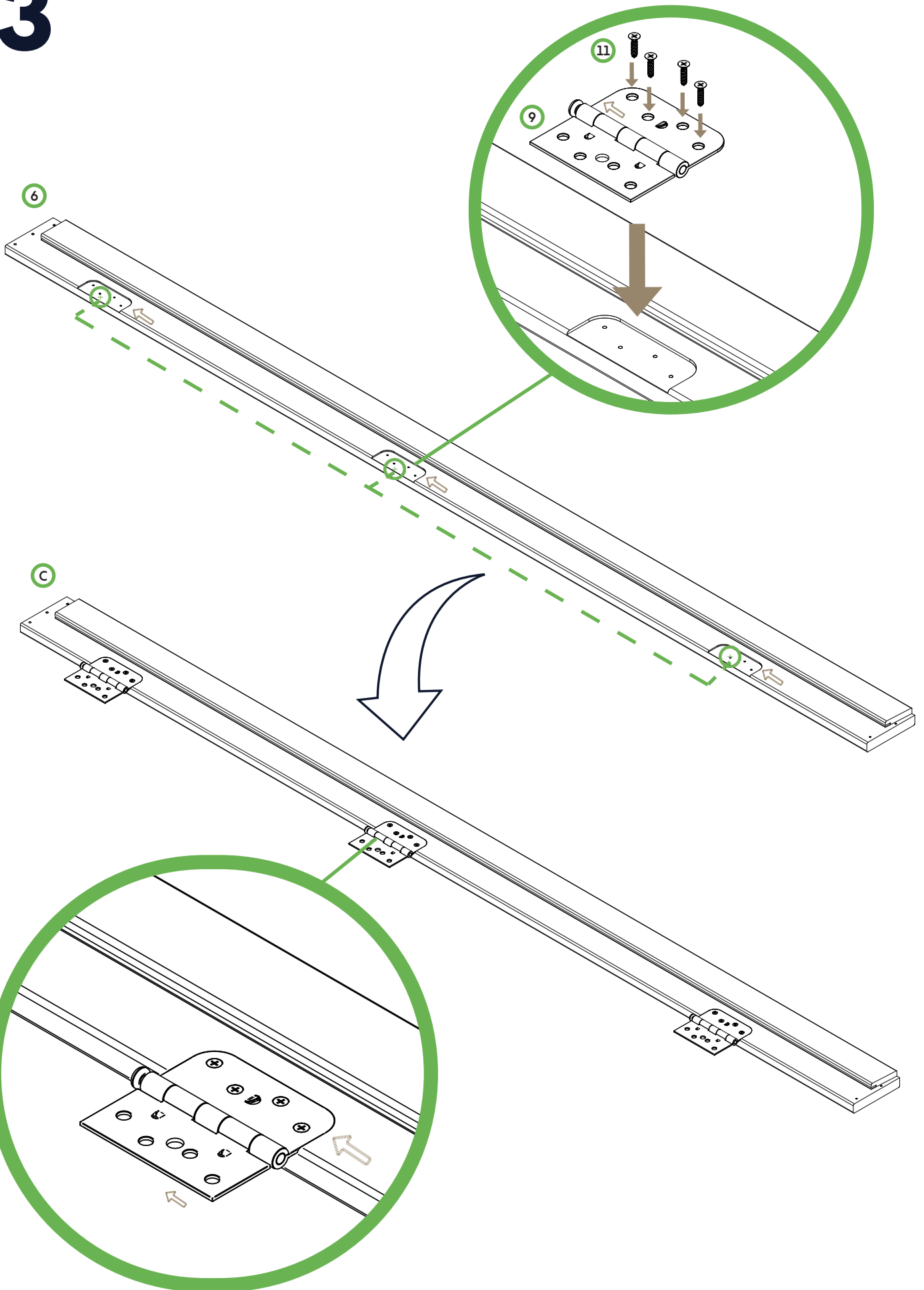
5 PRE HUNG SINGLE DOOR WITH FRAME ASSEMBLY

# 2



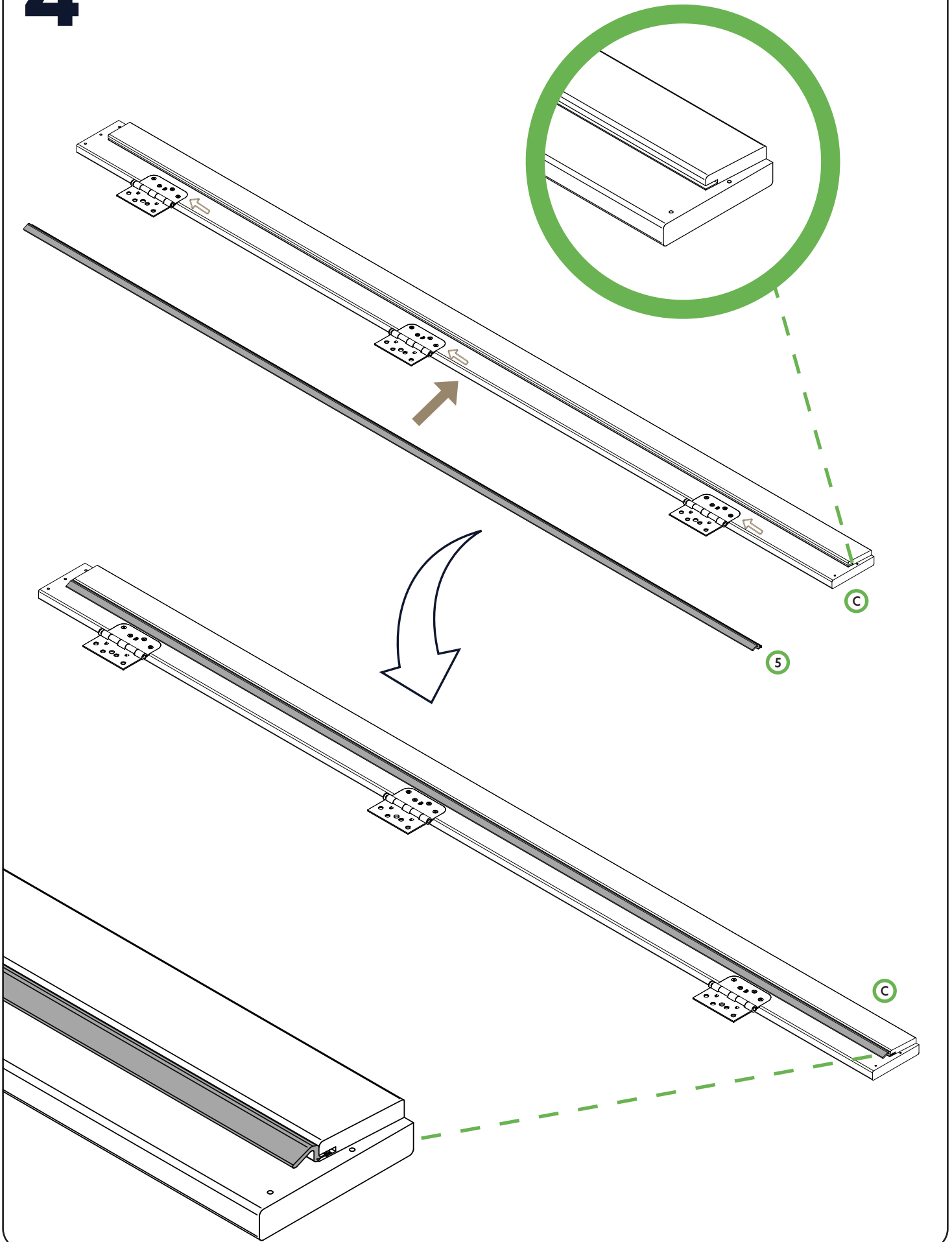
6 PRE HUNG SINGLE DOOR WITH FRAME ASSEMBLY

# 3

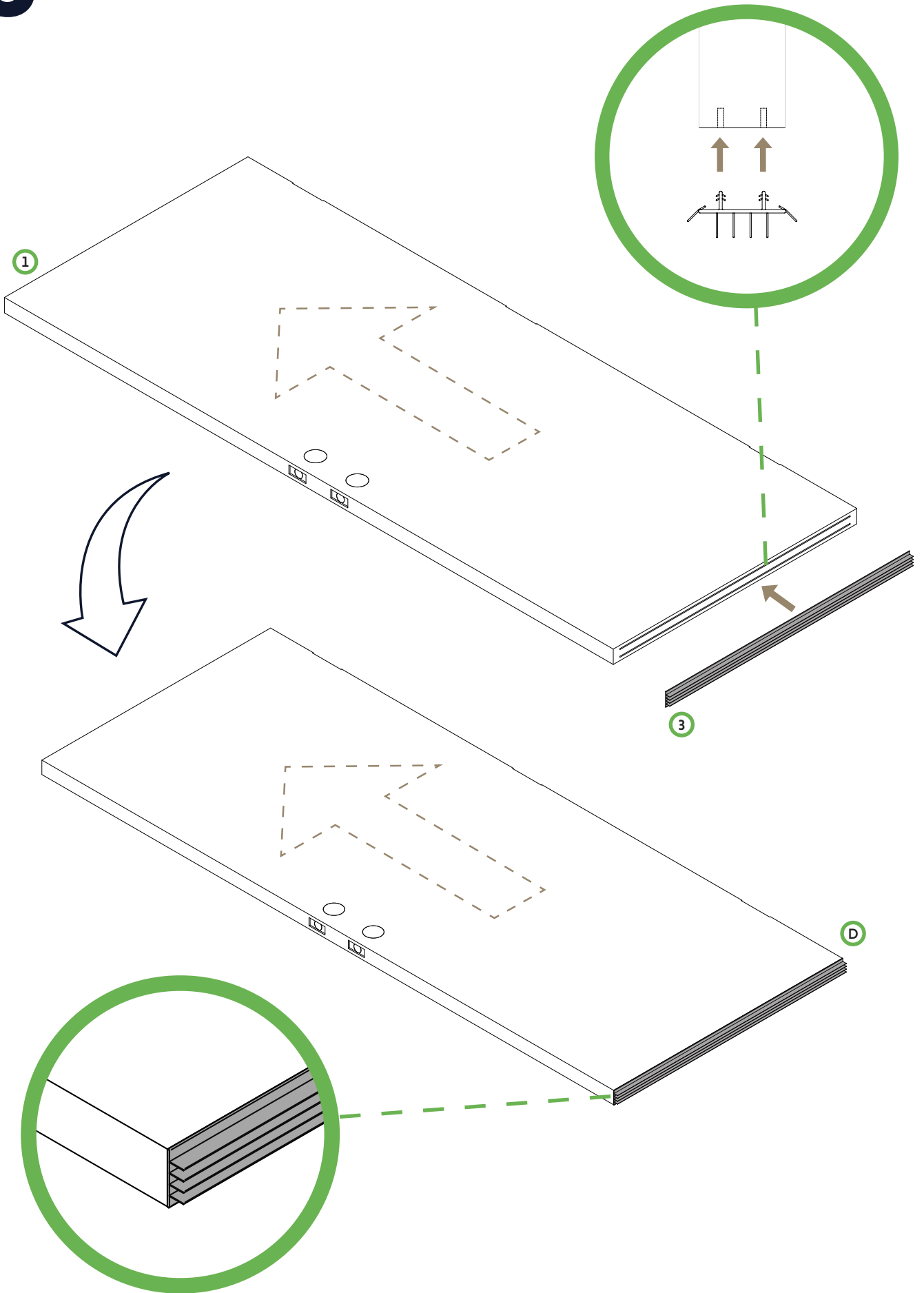


7 PRE HUNG SINGLE DOOR WITH FRAME ASSEMBLY

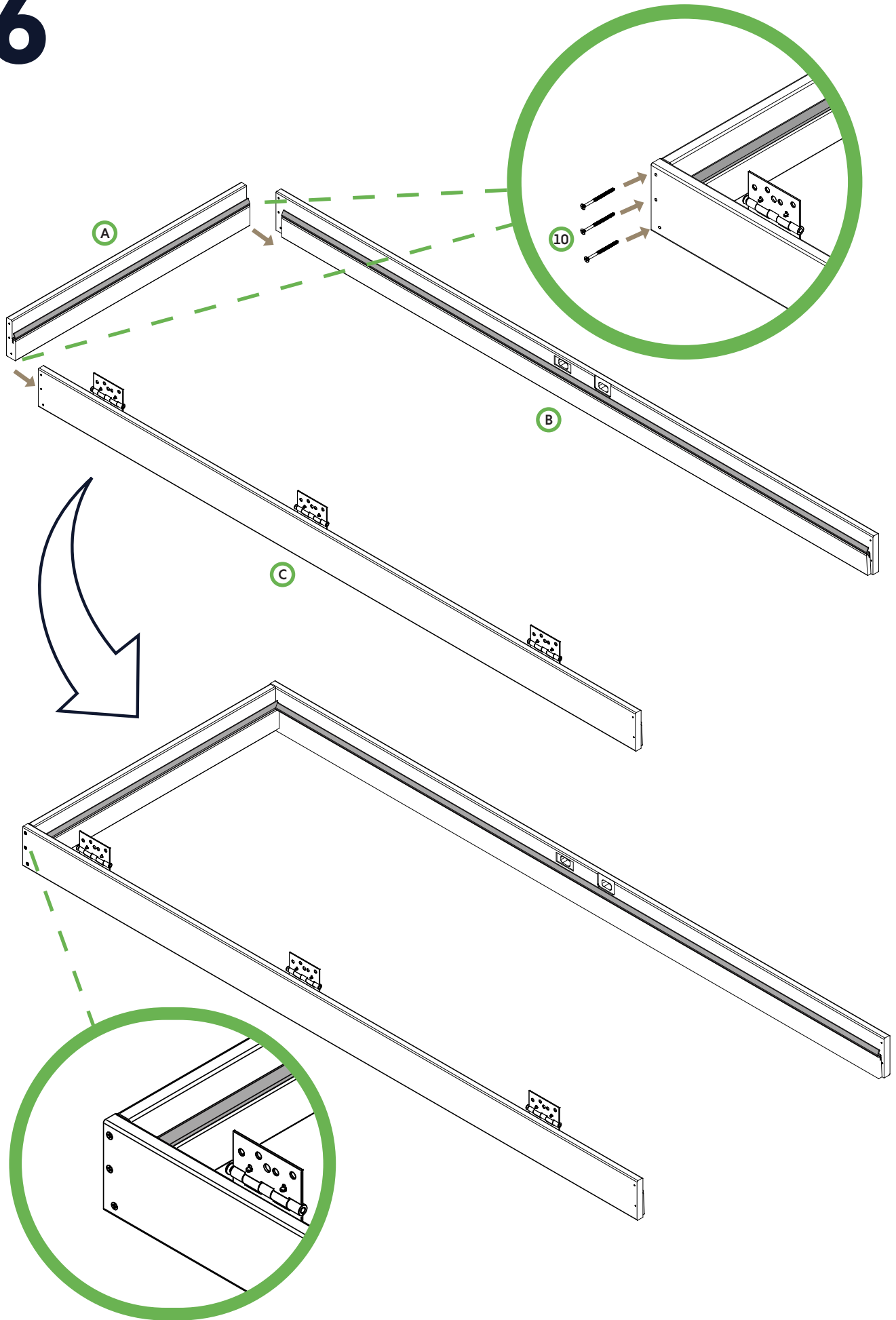
# 4



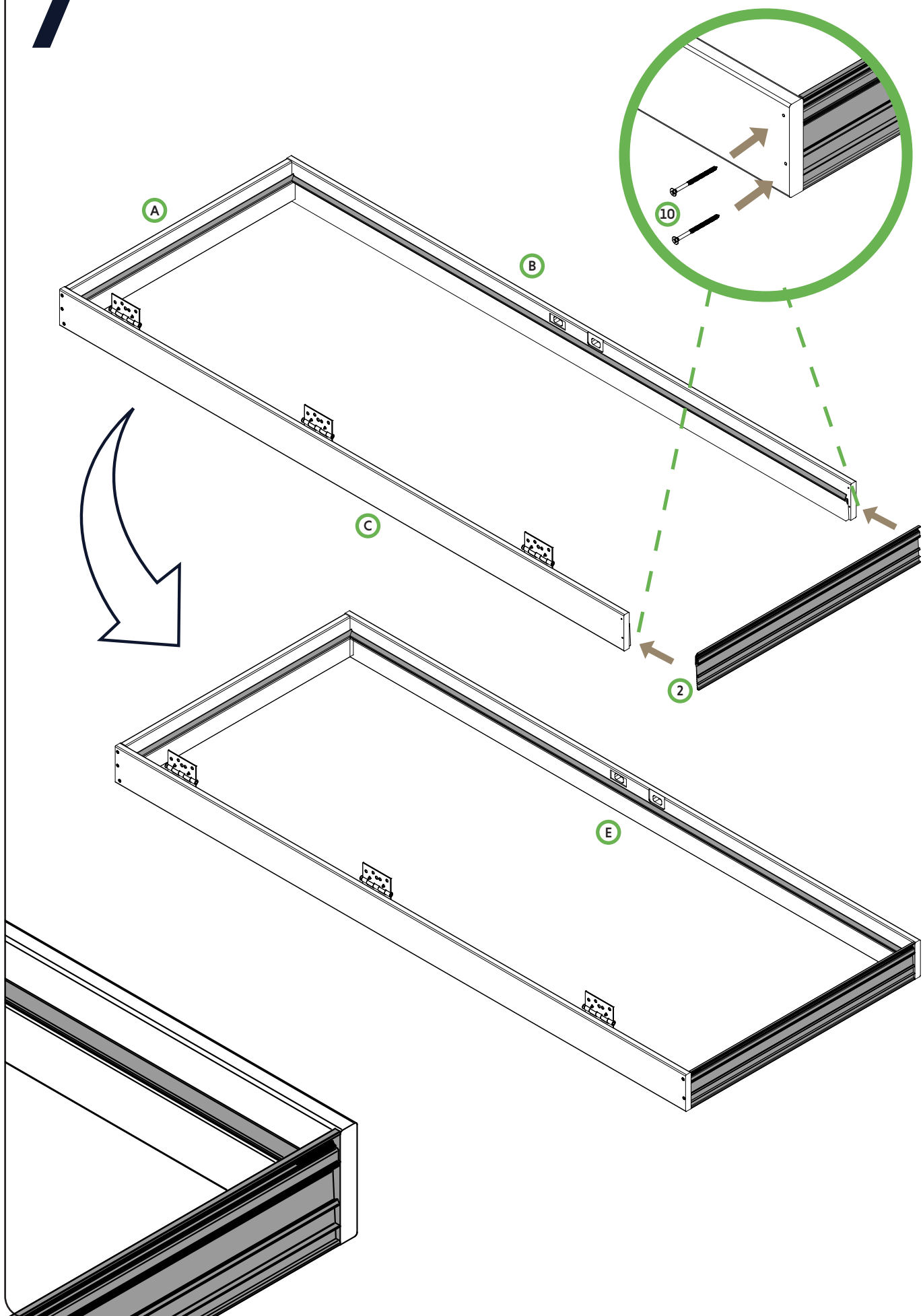
# 5



# 6



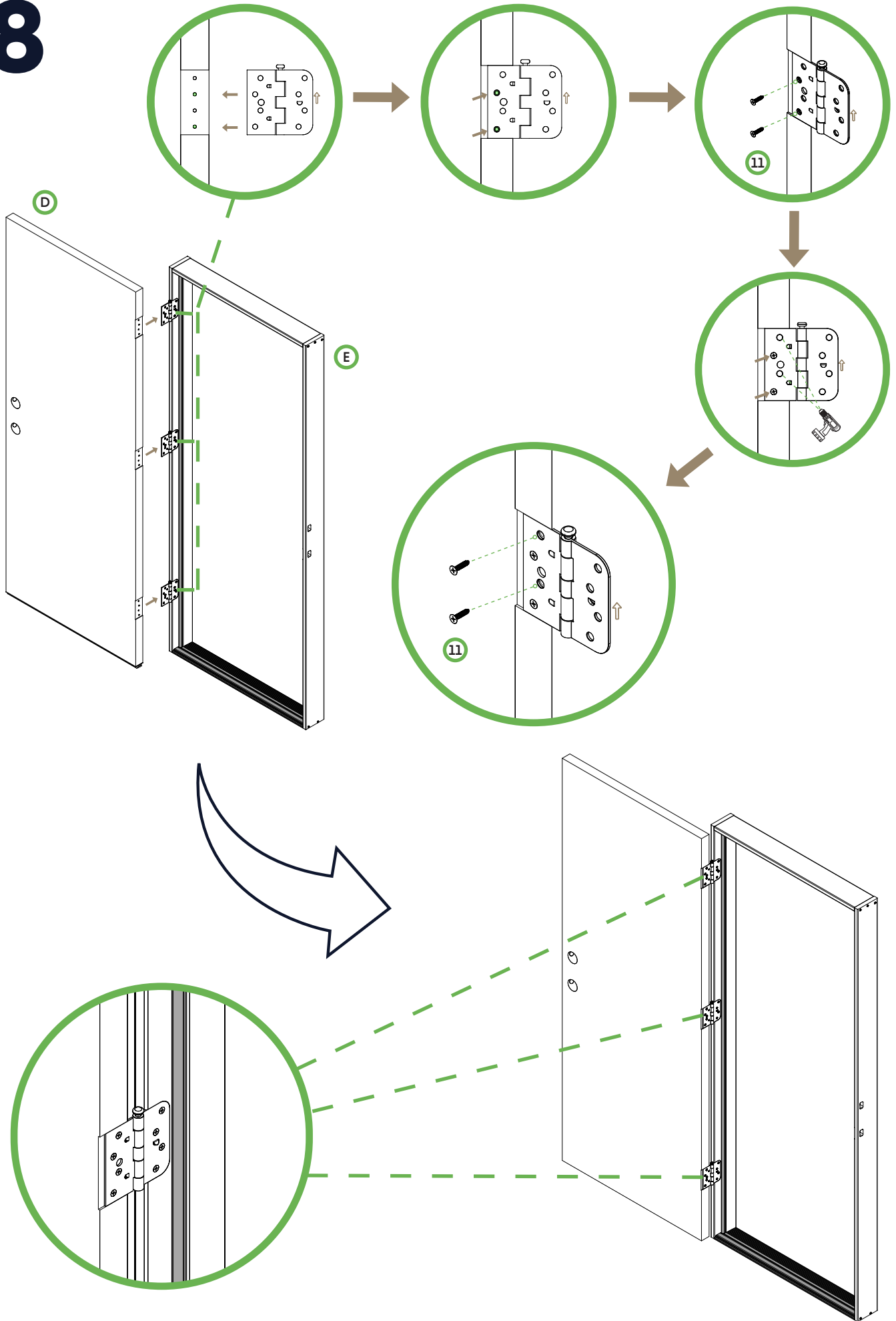
# 7



11 PRE HUNG SINGLE DOOR WITH FRAME ASSEMBLY

door<sup>+</sup>  
more

8



12 PRE HUNG SINGLE DOOR WITH FRAME ASSEMBLY

