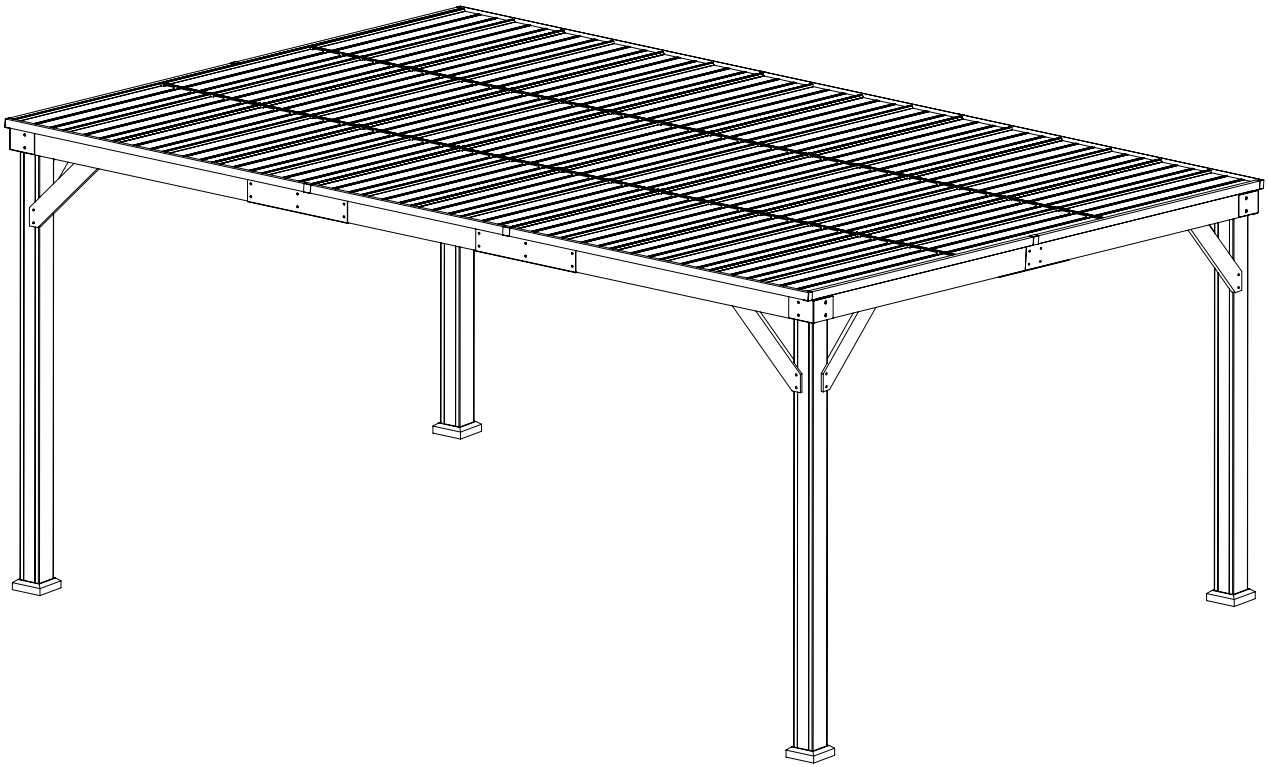


MODEL:IG10600119C-1216N2



OWNER'S MANUAL

Supreme 12'x16' Cedar Wood Hard Top Pavilion

TABLE OF CONTENTS

ASSEMBLY GUIDE.....	02
USING YOUR PRODUCT.....	05

December 24, 2025

QUESTIONS?



E-mail: support@modernshade.org



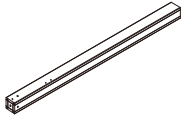
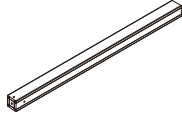
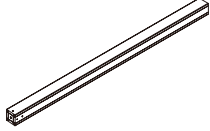
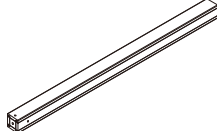
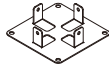
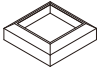
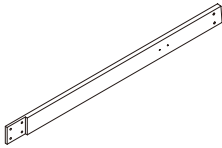
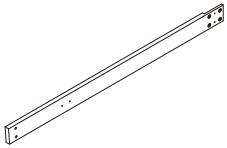
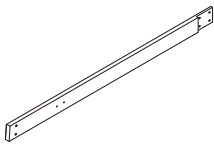
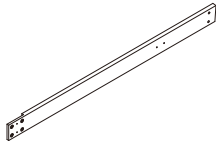
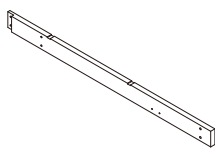
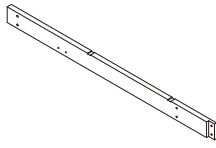
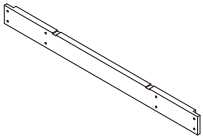






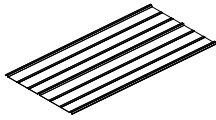
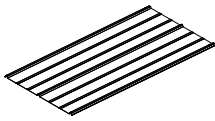
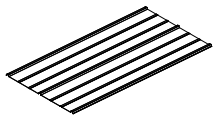
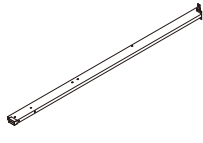
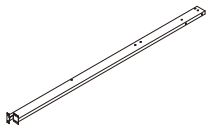


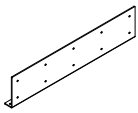
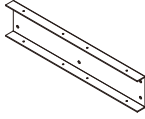
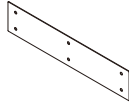
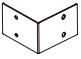
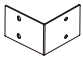
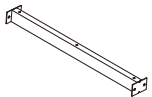
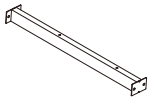
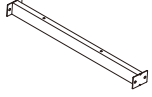
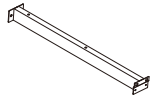
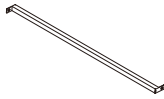
Toll Free Number: 1-888-666-3070

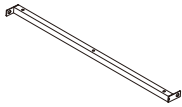
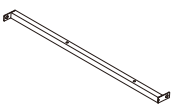
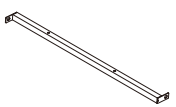
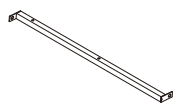
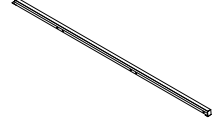
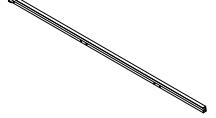

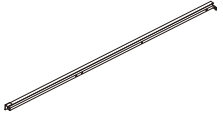
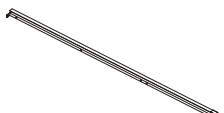
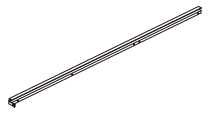
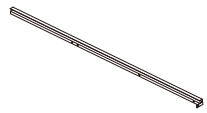
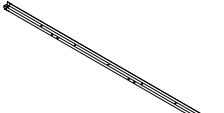
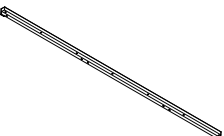
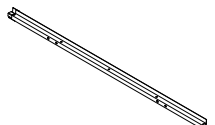
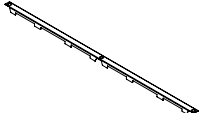


Mon-Fri: 9:00 AM - 5:00 PM PST

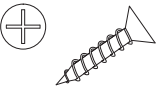
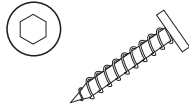
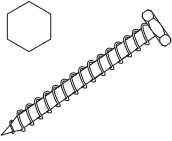
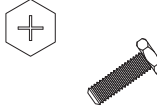
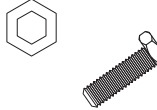
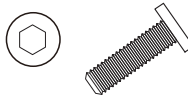
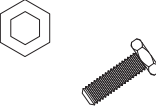
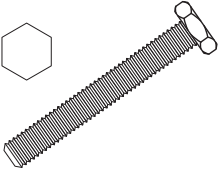
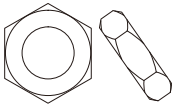
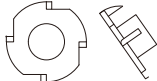
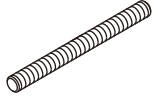




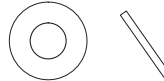

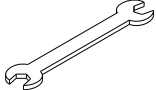
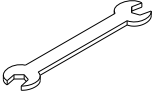
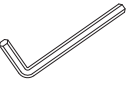
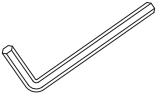
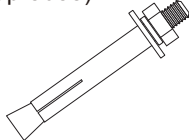
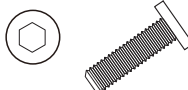

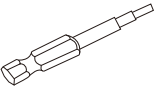
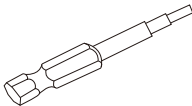
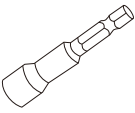
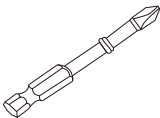
ASSEMBLY GUIDE

PARTS LIST

A3 Post 3 (1piece) 	A4 Post 4 (1piece) 	A5 Post 5 (1piece) 	A6 Post 6 (1piece) 	B1 Foot Base 1 (4pieces) 	C1 Foot Cover 1 (4pieces) 
P0010007501	P0010007601	P0010007701	P0010007801	P0030000301	P0020000301
D7 Cross Beam 7 (1piece) 	D8 Cross Beam 8 (1piece) 	D9 Cross Beam 9 (1piece) 	D10 Cross Beam 10 (1piece) 	D11 Cross Beam 11 (2pieces) 	D12 Cross Beam 12 (2pieces) 
P0040017601	P0040017701	P0040017801	P0040017901	P0040018001	P0040018101
D13 Cross Beam 13 (2pieces) 	E1 Support Bracket 1 (2pieces) 	E2 Support Bracket 2 (2pieces) 	E3 Support Bracket 3 (1piece) 	E4 Support Bracket 4 (1piece) 	E5 Support Bracket 5 (1piece) 
P0040018201	P0050003901	P0050004001	P0050004101	P0050004201	P0050004301
E6 Support Bracket 6 (1piece) 	F4 Roof Plates 4 (8pieces) 	F5 Roof Plates 5 (8pieces) 	F6 Roof Plates 6 (8pieces) 	G3 Roof Rib 3 (6pieces) 	G4 Roof Rib 4 (6pieces) 
P0050004401	P0130006399	P0130006499	P0130006599	P0090017201	P0090017301
H1 Connector 1 (6 pieces) 	H2 Connector 2 (4pieces) 	H3 Connector 3 (2pieces) 	H6 Connector 6 (4pieces) 	H7 Connector 7 (4pieces) 	H8 Connector 8 (2pieces) 
P0060006501	P0060006601	P0110003301	P0110005701	P0110005801	P0110005901
H9 Connector 9 (2pieces) 	J3 Roof Rib Support 3 (2pieces) 	J4 Roof Rib Support 4 (4pieces) 	J5 Roof Rib Support 5 (4pieces) 	J6 Roof Rib Support 6 (4pieces) 	K5 Top Beam Support 5 (14pieces) 
P0110006001	P0050004801	P0050004901	P0050005001	P0050005101	P0090011501

<p>K6 Top Beam Support 6 (1piece)</p> 	<p>K7 Top Beam Support 7 (2pieces)</p> 	<p>K8 Top Beam Support 8 (2pieces)</p> 	<p>K9 Top Beam Support 9 (2pieces)</p> 	<p>L9 Roof Plate Border 9 (1piece)</p> 	<p>L10 Roof Plate Border 10 (1piece)</p> 
P0090011601	P0090011701	P0090011801	P0090011901	P0090012001	P0090012101
<p>L11 Roof Plate Border 11 (1piece)</p> 	<p>L12 Roof Plate Border 12 (1piece)</p> 	<p>L13 Roof Plate Border 13 (1piece)</p> 	<p>L14 Roof Plate Border 14 (1piece)</p> 	<p>L15 Roof Plate Border 15 (1piece)</p> 	<p>L16 Roof Plate Border 16 (1piece)</p> 
P0090012201	P0090012301	P0090012401	P0090012501	P0090012601	P0090012701
<p>L17 Roof Plate Border 17 (1piece)</p> 	<p>L18 Roof Plate Border 18 (1piece)</p> 	<p>M Roof Cap (16pieces)</p> 			
P0090012801	P0090012901	P1000005301			

HARDWARE PACK

AA Bolt M5*25 (140+6pieces) 	BB Bolt M8*35 (32+2pieces) 	CC Bolt M10*65 (8+1pieces) 	DD Bolt M5*25 (55+2pieces) 	EE Bolt M6*20 (122+6pieces) 	FF Bolt M8*30 (8+1pieces) 
H0008008098	H0008008099	H0008008100	H0008008138	H0008008036	H0008008104
GG Bolt M6*15 (56+3pieces) 	HH Bolt M10*170 (8+1pieces) 	JJ Anti-slip Screw Nut (8+1pieces) 	KK Four-claw Screw Nut M8*8 (8+1pieces) 	LL M5x48 Double head screw (7+1pieces) 	MM M5 Ball nut (7+1pieces) 
H0008008001	H0008008106	H0008008126	H0008008127	H0008008245	H0008008164
NN M5 Flat Washer (62+3pieces) 	PP M6 Flat washer (178+9pieces) 	QQ M8 Flat washer (88+4pieces) 	RR M10 Flat washer (24+1pieces) 	SS M5 Sealant Washer (45+2pieces) 	TT Double Open End Wrench M8/M10 (2pieces) 
H0008008056	H0008008057	H0008008058	H0008008141	H0008008059	H0008008190
UU Double Open End Wrench M5/M6 (2pieces) 	VV M6 Allen Key (1piece) 	WW M8 Allen Key (2pieces) 	XX Concrete Anchor M6*60 (8pieces) 	YY Bolt M8*50 (24+2pieces) 	ZZ M8 Ball nut (24+2pieces) 
H0008008121	H0008008133	H0008008129	H0008008095	H0008008189	H0008008192
ZW H6 Hex bit Serew Driver (1piece) 	ZV H8 Hex bit Serew Driver (1piece) 	ZU M10 Hexsocket drill bit (1piece) 	ZT Phillips drill bit (1piece) 		
H0008008209	H0008008210	H0008008208	H0008008215		

IMPORTANT:

This instruction manual contains important information necessary for the proper assembly and safe use of the product.

Read and follow all warnings and instructions before assembling and using the product.

Follow all warnings and instructions when using the product.

Keep this manual for future reference.

Installer/Assembler: leave these instructions with the consumer.

SAFETY ALERT KEY

DANGER

Indicates a hazardous situation that, if not avoided, will result in death or serious injury.

WARNING

Indicates a hazardous situation that, if not avoided, could result in death or serious injury.

CAUTION

Indicates a hazardous situation that, if not avoided, could result in minor or moderate injury.

NOTICE

Indicates information considered important, but not hazard-related (e.g.messages related to property damage).

ASSEMBLY INSTRUCTIONS

•Please carefully unpack each of the components and hardware. check the components against the parts list and make sure there are no missing parts. lay pieces on cardboard or a soft mat to help protect the pieces from scratches.

⚠ CAUTION

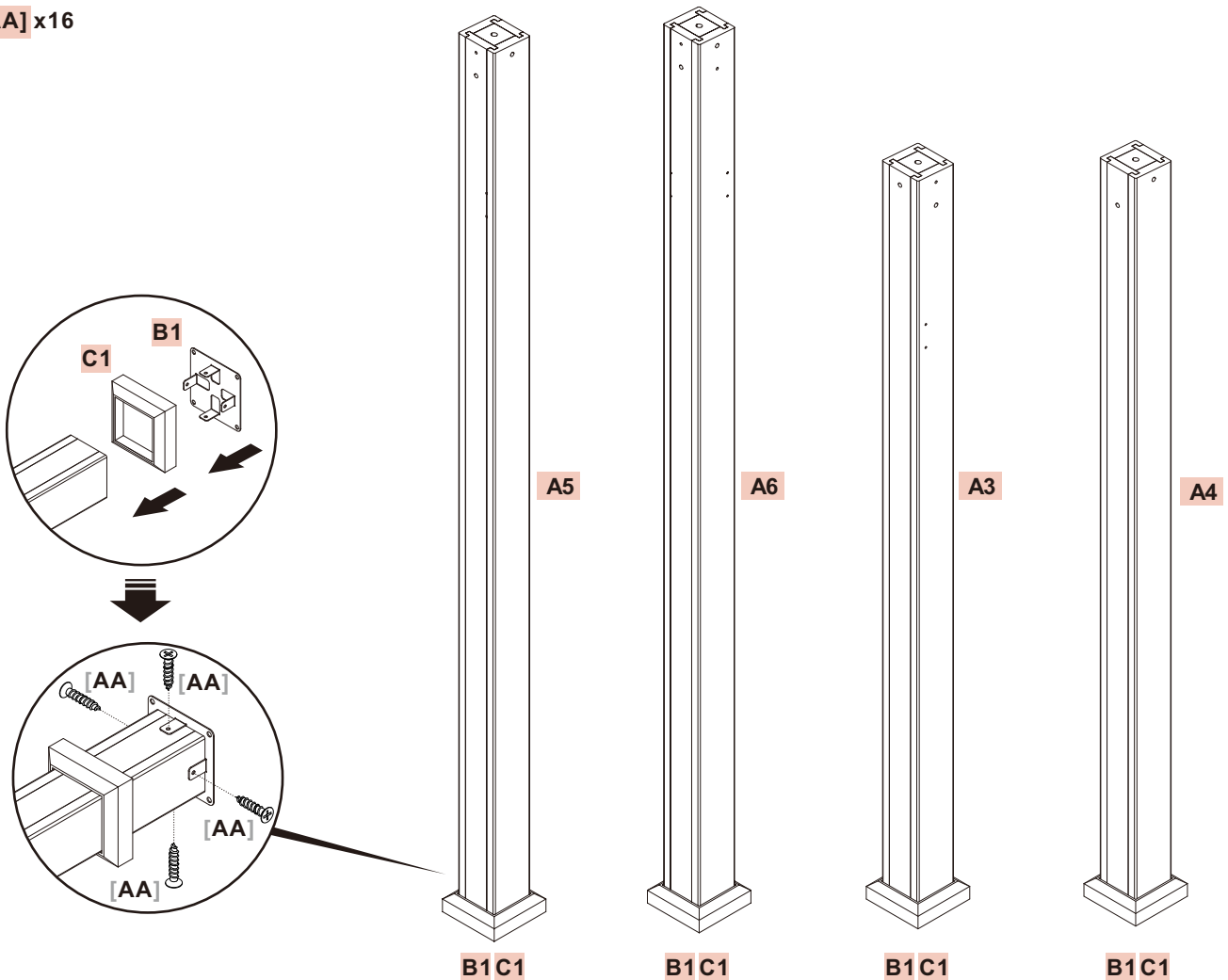
Watch for sharp edges when handling the pieces, wear gloves to avoid injury.

- For ease of assembly, it is recommended to have 3 or more people and allow enough time to completely finish the assembly. assembly can take 6-8 hours. a step-ladder is required for assembly (not included).
- Follow step by step instructions, and follow all safety warnings provided with your tools.
- DO NOT tighten screws until all the screws and washers are properly installed. Tighten screws securely, do not over tighten.
- Gazebo should not be used in inclement weather and high winds.

STEP 01#

Slide foot base **B1** and foot cover **C1** onto post **A5**. Use four (4) [AA] bolts to attach foot base **B1** to post **A5**. Repeat with the other post **A3/A4** and **A6**.

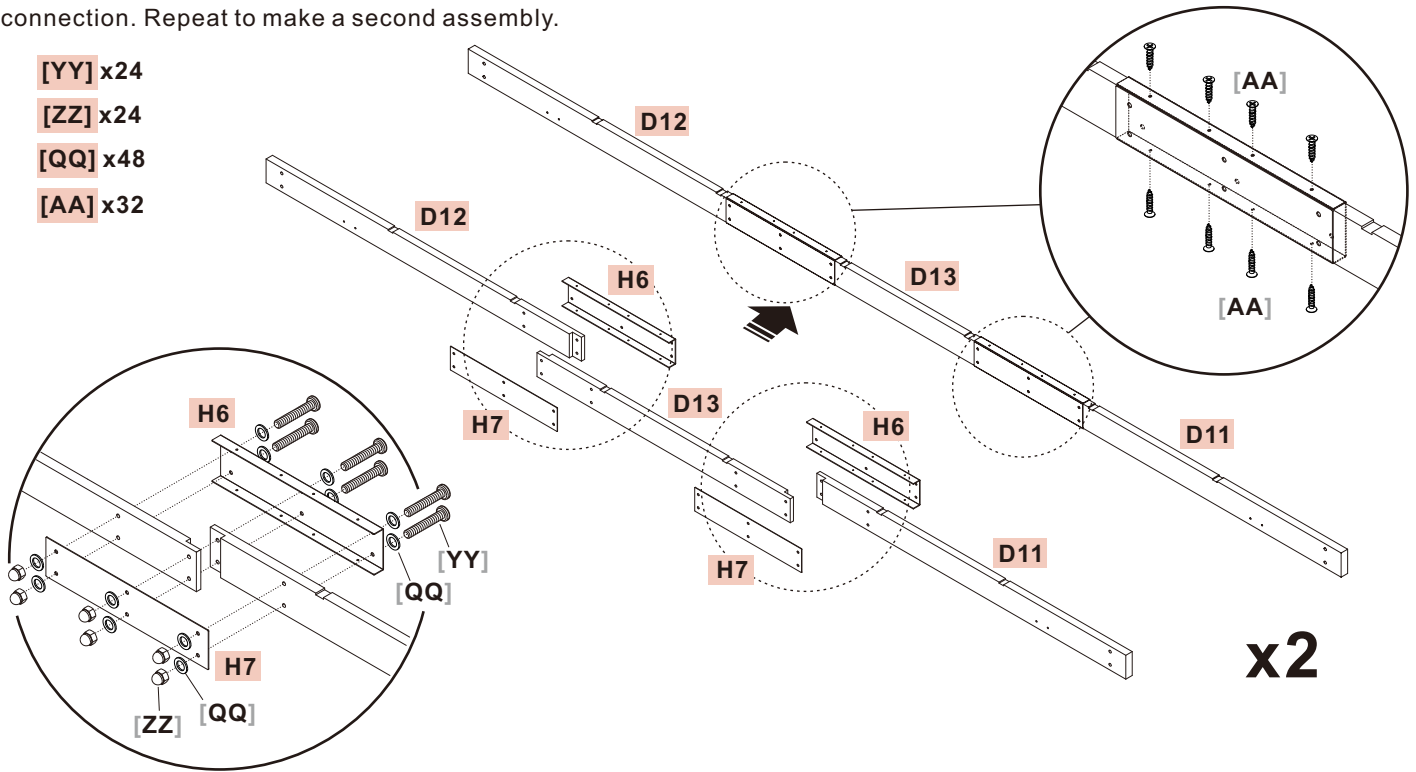
[AA] x16



STEP 02#

Attach cross beam **D12** **D11** and **D13** together using connector **H6** and **H7**. Secure with six (6) **[YY]** bolts, twelve (12) **[QQ]** flat washers and six (6) **[ZZ]** ball nuts on the sides. Use eight (8) **[AA]** bolts secure both the top and bottom of the connection. Repeat to make a second assembly.

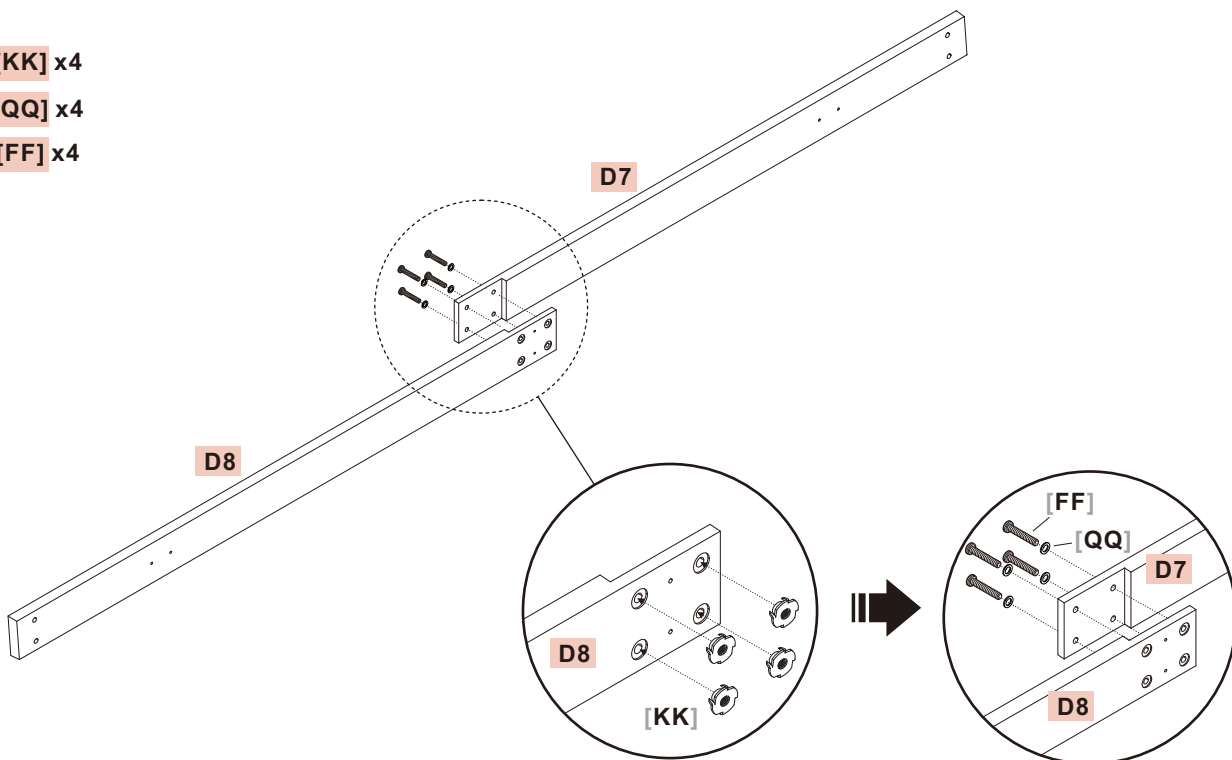
- [YY]** x24
- [ZZ]** x24
- [QQ]** x48
- [AA]** x32



STEP 03#

Attach four (4) **[KK]** screw nuts to cross beam **D8**. Use four (4) **[FF]** bolts and four (4) **[QQ]** flat washers to attach cross beam **D7** to **D8**.

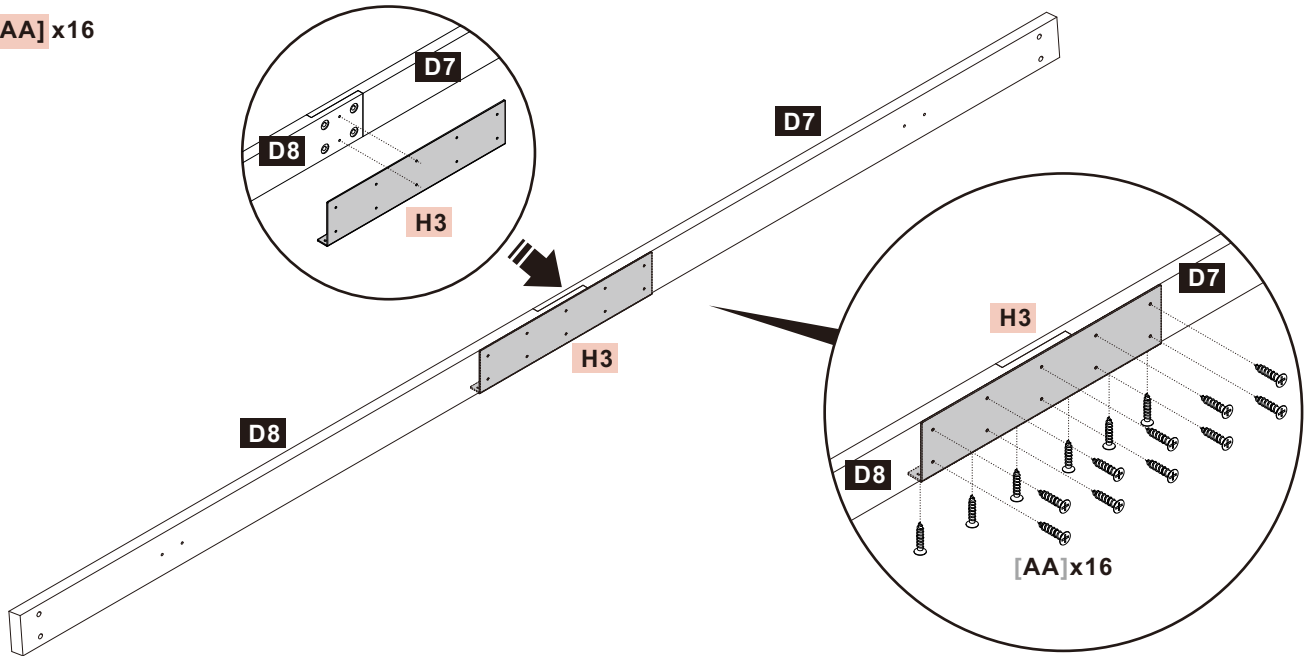
- [KK]** x4
- [QQ]** x4
- [FF]** x4



STEP 04#

Use six (6) bolts to attach the bottom of connector **H3** to cross beam assembly **D7 D8**. Use ten (10) **[AA]** bolts to attach the front of connector **H3** to cross beam assembly **D7 D8**.

[AA] x16



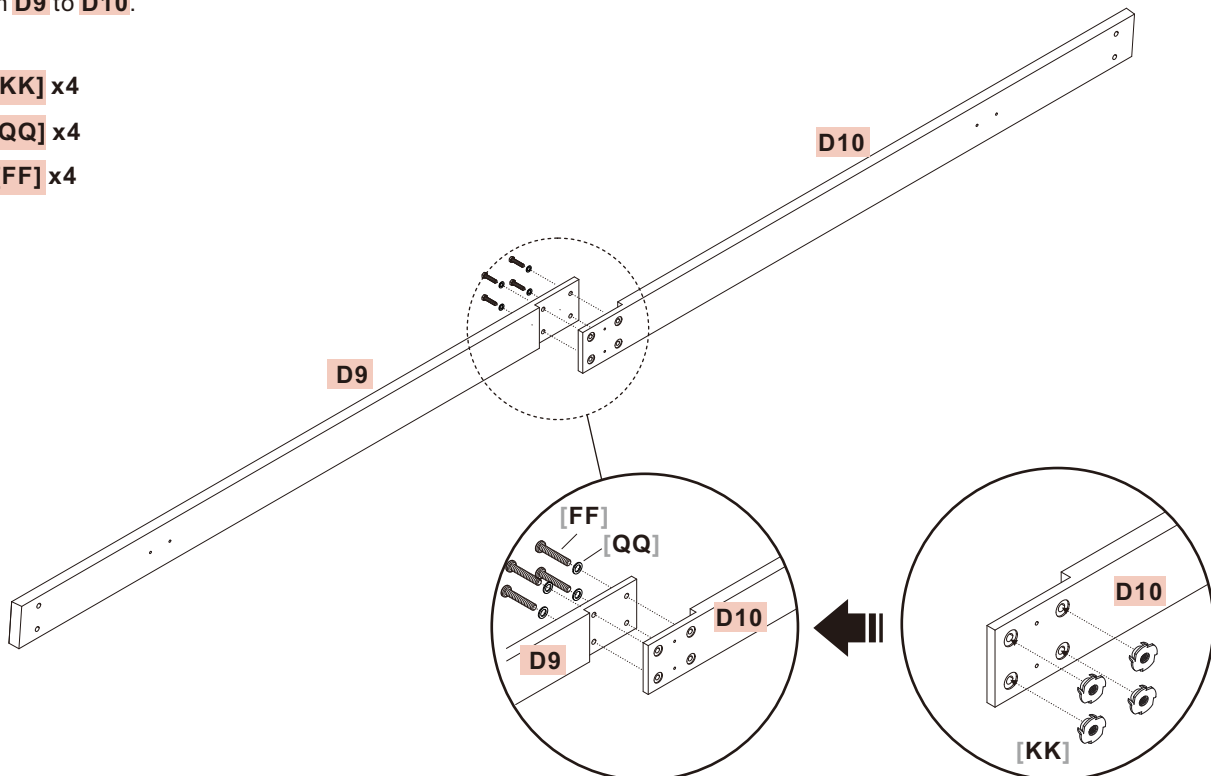
STEP 05#

Attach four (4) **[KK]** screw nuts to cross beam **D10**. Use four (4) **[FF]** bolts and four (4) **[QQ]** flat washers each to attach cross beam **D9** to **D10**.

[KK] x4

[QQ] x4

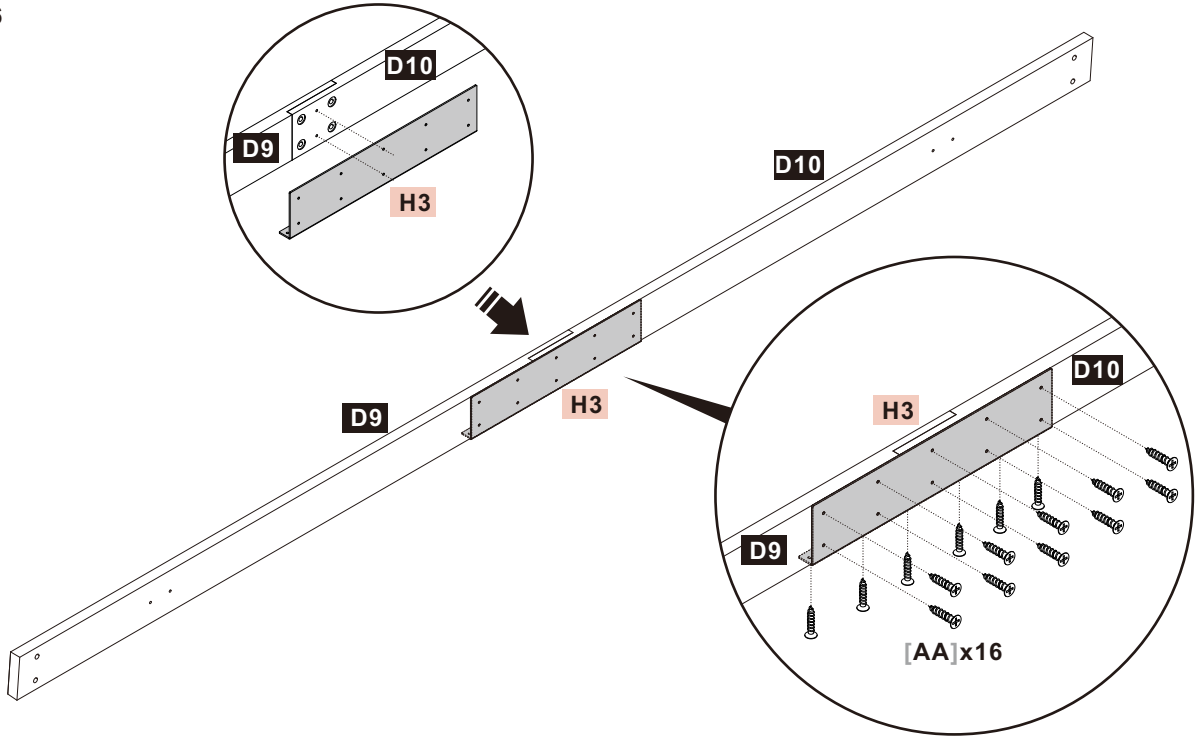
[FF] x4



STEP 06#

Use six (6) bolts to attach the bottom of connector **H3** to cross beam assembly **D9 D10**. Use ten (10) **[AA]** bolts to attach the front of connector **H3** to cross beam assembly **D9 D10**.

[AA] x16



STEP 07#

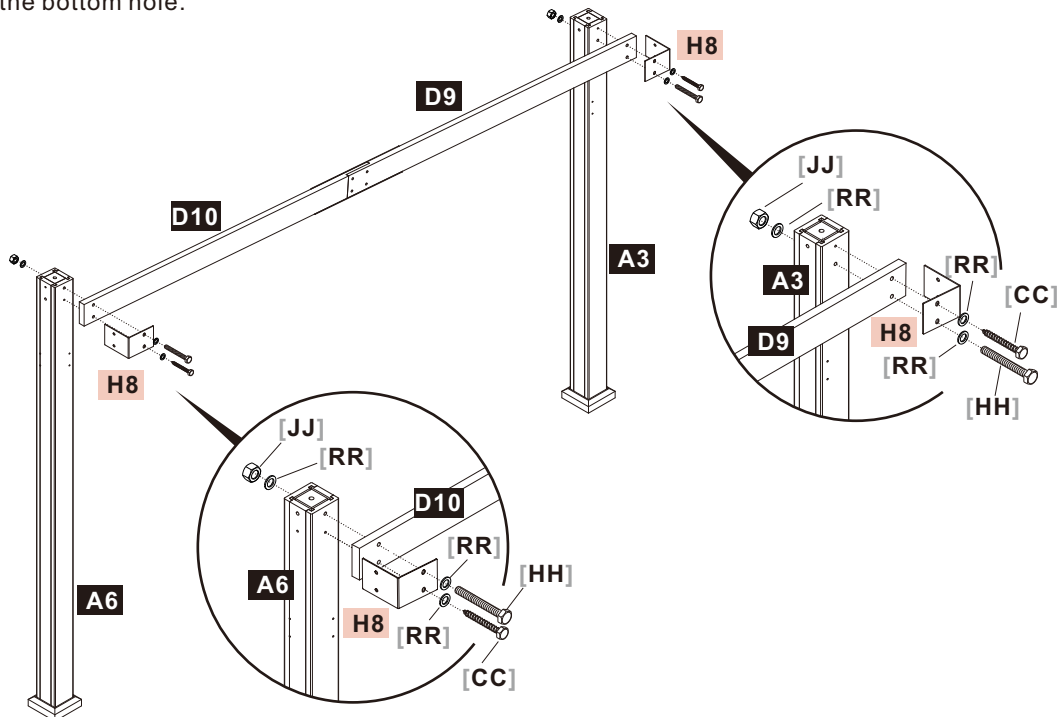
Attach the cross beam assembly **D9 D10** with connector **H8** to left **A6** post using one (1) **[HH]** bolt, two (2) **[RR]** washers, and one (1) **[JJ]** nut in the top hole, and one (1) **[CC]** bolt and **[RR]** washer in the bottom hole. Attach the cross beam assembly with **H8** to right **A3** post using one (1) **[CC]** bolt and **[RR]** washer in the top hole, and one (1) **[HH]** bolt, two (2) **[RR]** washers, and one (1) **[JJ]** nut in the bottom hole.

[HH] x2

[CC] x2

[RR] x6

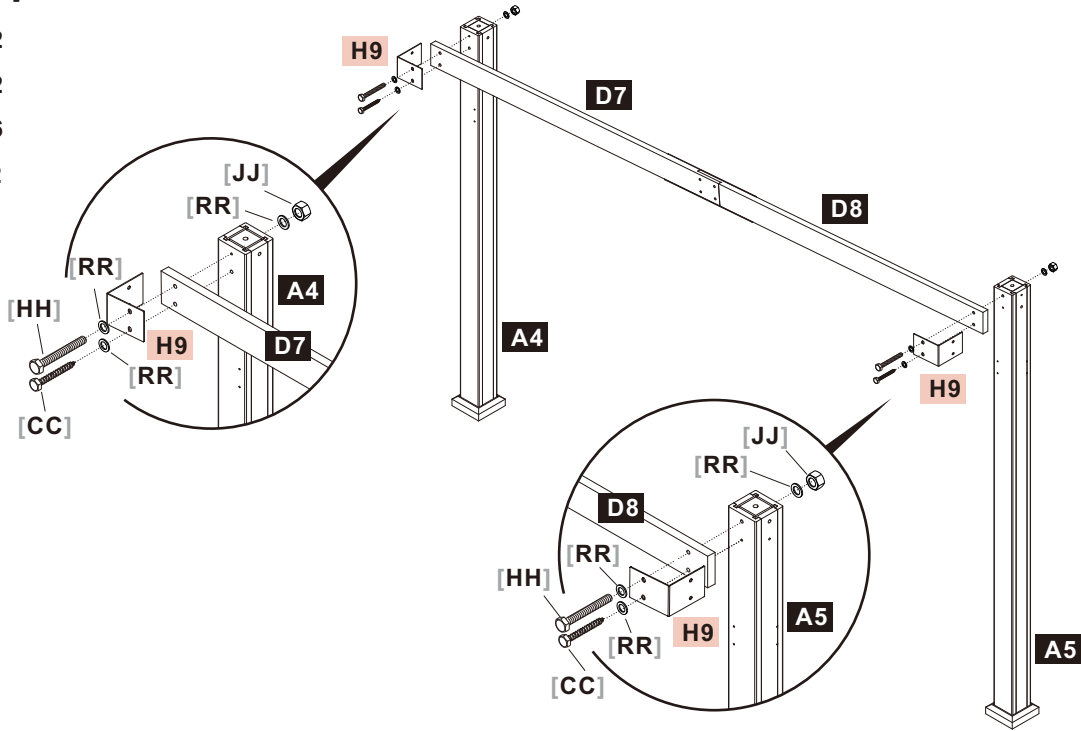
[JJ] x2



STEP 08#

Attach the cross beam assembly **D7 D8** with connector **H9** to left **A4** post using one (1) **[HH]** bolt, two (2) **[RR]** washers, and one (1) **[JJ]** nut in the top hole, and one (1) **[CC]** bolt and **[RR]** washer in the bottom hole. Attach the cross beam assembly with **H9** to right **A5** post using one (1) **[HH]** bolt, two (2) **[RR]** washers, and one (1) **[JJ]** nut in the top hole, and one (1) **[CC]** bolt and **[RR]** washer in the bottom hole.

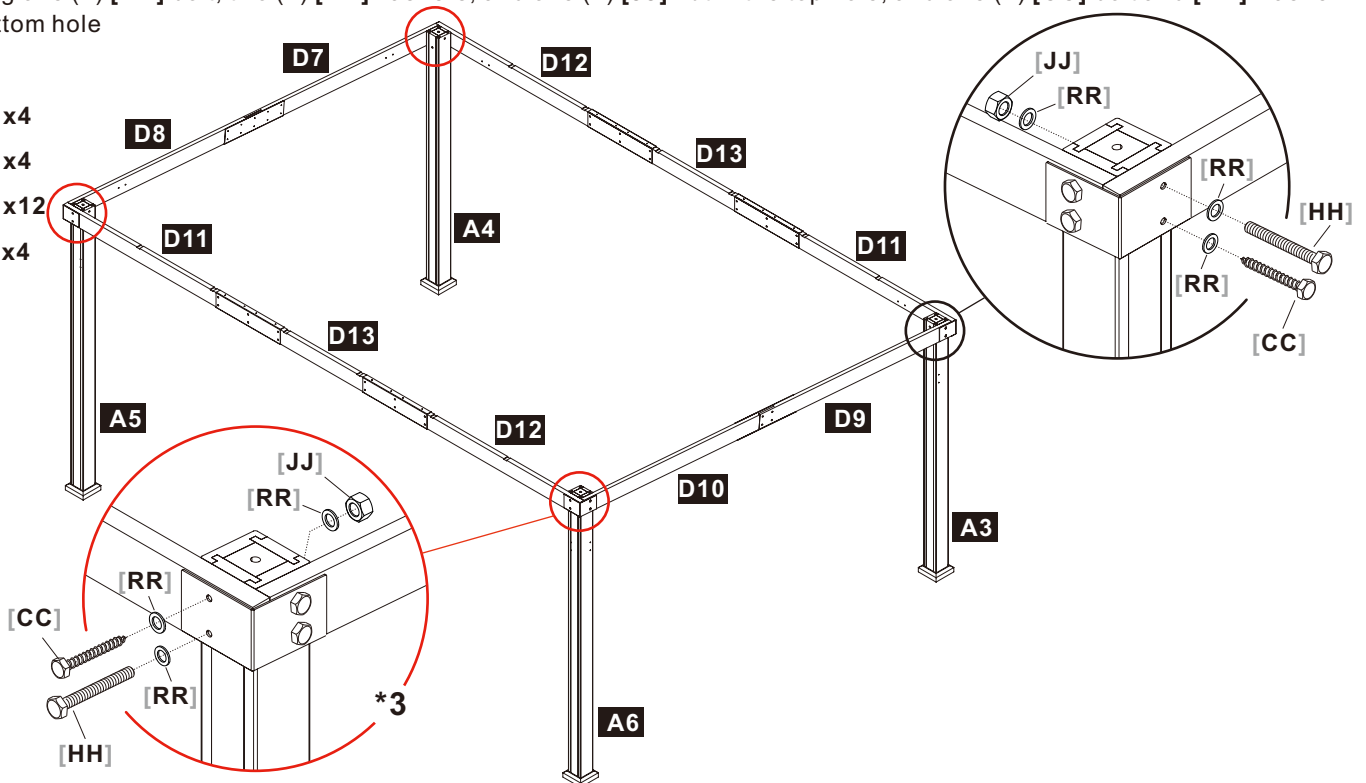
- [HH]** x2
- [CC]** x2
- [RR]** x6
- [JJ]** x2



STEP 09#

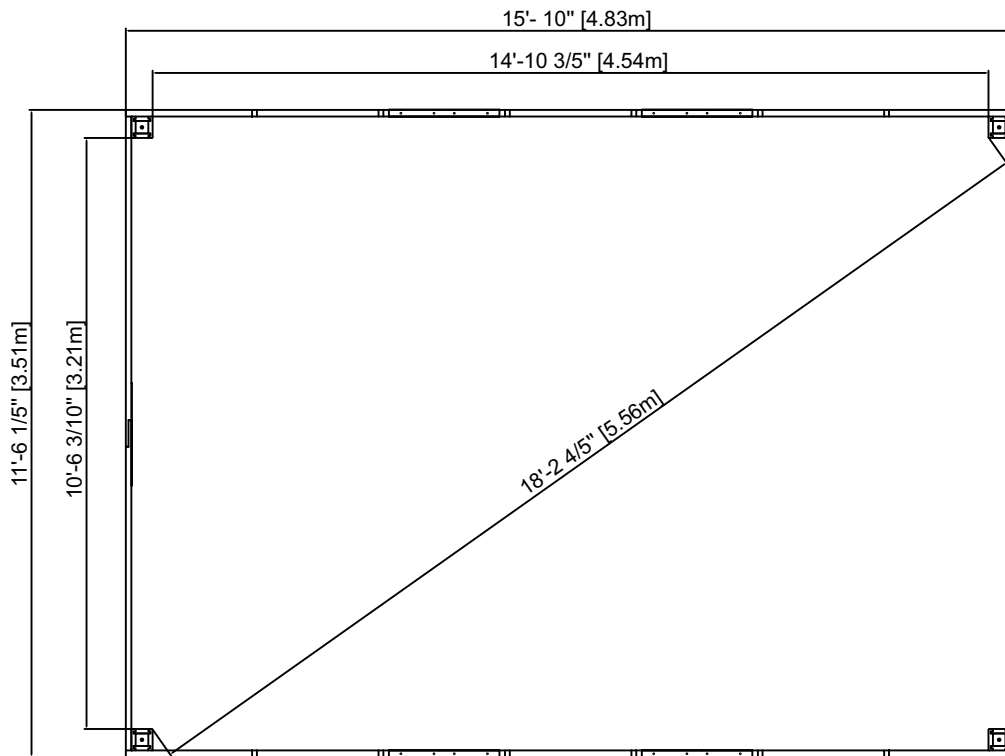
Attach the cross beam assembly **D11 D12 D13** to **A5/A6/ A4** post using one (1) **[CC]** bolt and **[RR]** washer in the top hole, and one (1) **[HH]** bolt, two (2) **[RR]** washers, and one (1) **[JJ]** nut in the bottom hole. Attach the cross beam assembly to **A3** post using one (1) **[HH]** bolt, two (2) **[RR]** washers, and one (1) **[JJ]** nut in the top hole, and one (1) **[CC]** bolt and **[RR]** washer in the bottom hole

- [HH]** x4
- [CC]** x4
- [RR]** x12
- [JJ]** x4



STEP 10#

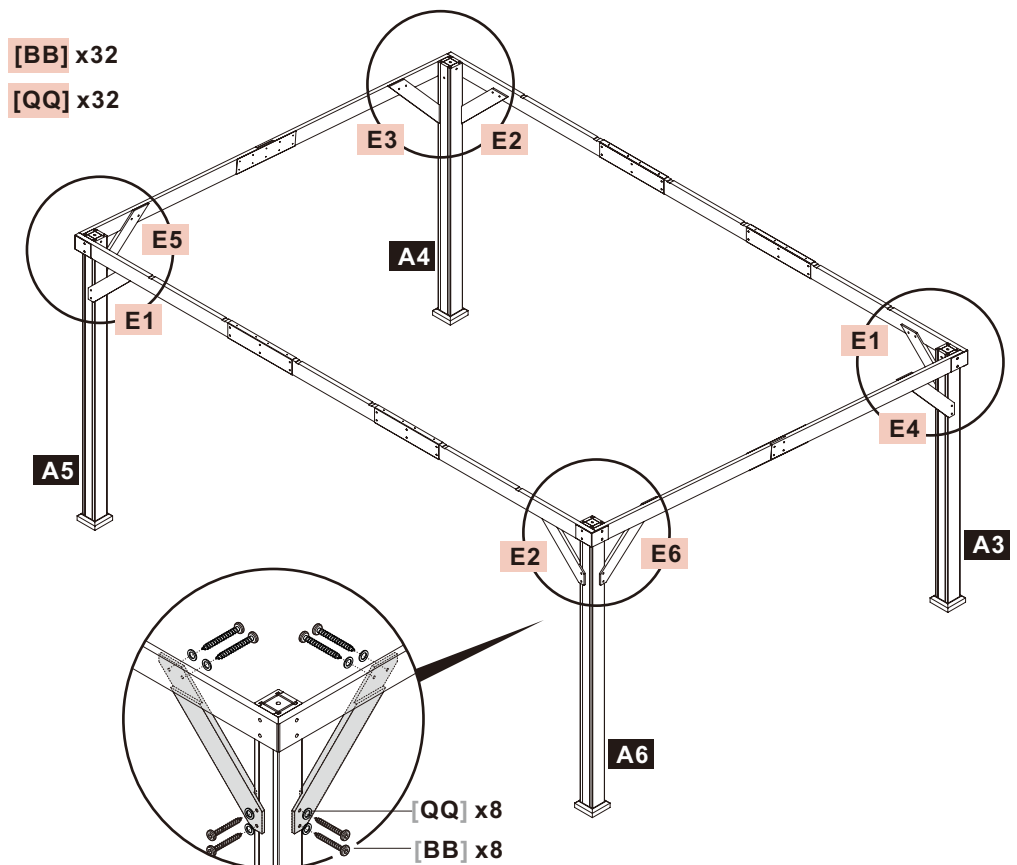
CRITIAL: SQUARE UNIT BEFORE PROCEEDING TO NEXT STEPS. ONCE SQUARE, TIGHTEN ALL HARDWARE.



STEP 11#

Use four (4) [BB] bolts and four (4) [QQ] flat washers to attach one (1) support bracket **E1** to front/rear beams and post on left corner of each long side. Use four (4) [BB] bolts and four (4) [QQ] flat washers to attach one (1) support bracket **E2** to front/rear beam and post on right corner of each long side. Repeat with the other support bracket **E1** and **E2**.

Use four (4) [BB] bolts and four (4) [QQ] flat washers to attach one (1) support bracket **E3** to side beam and post on left corner of each short side. Use four (4) [BB] bolts and four (4) [QQ] flat washers to attach one (1) support bracket **E5** to side beam and post on right corner of each short side. Repeat with support bracket **E4** and **E6**.

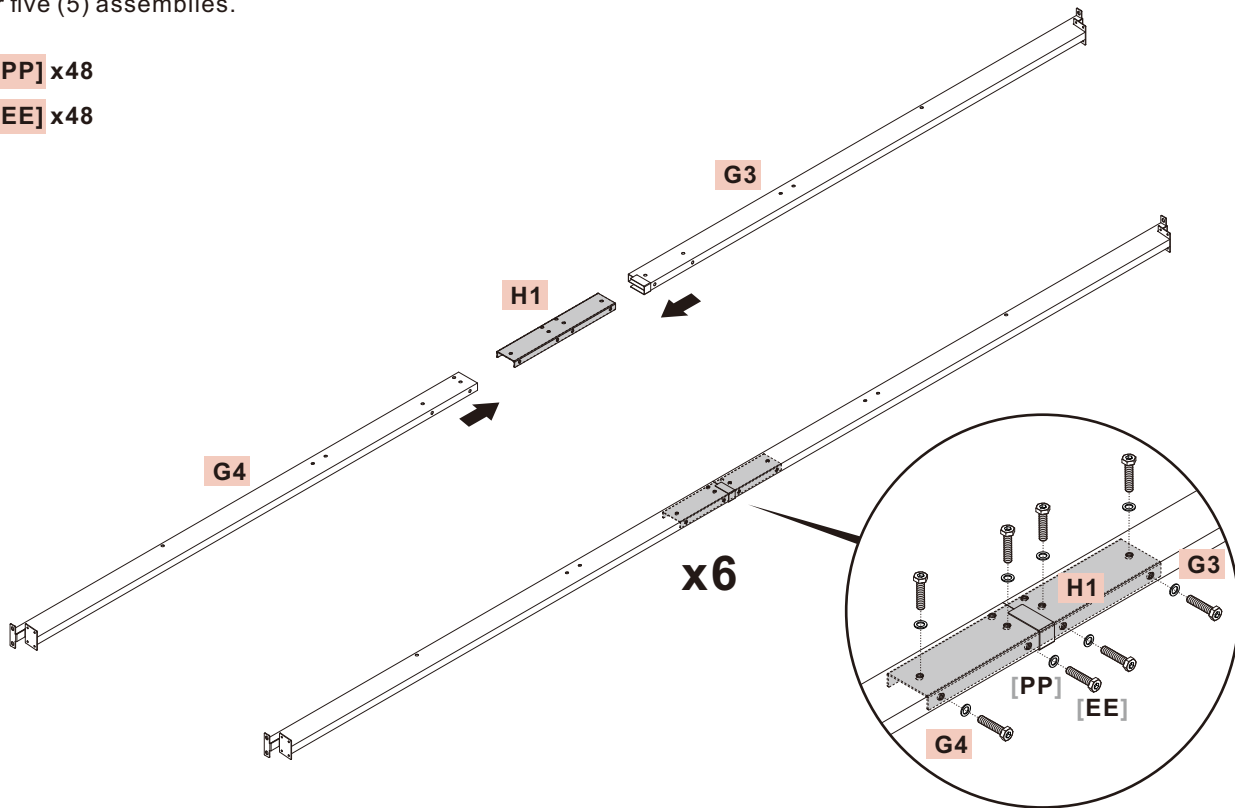


STEP 12#

Slide roof rib **G3** and **G4** into connector **H1**, securing with eight (8) **[EE]** bolts and eight (8) **[PP]** flat washers. Repeat with the other five (5) assemblies.

[PP] x48

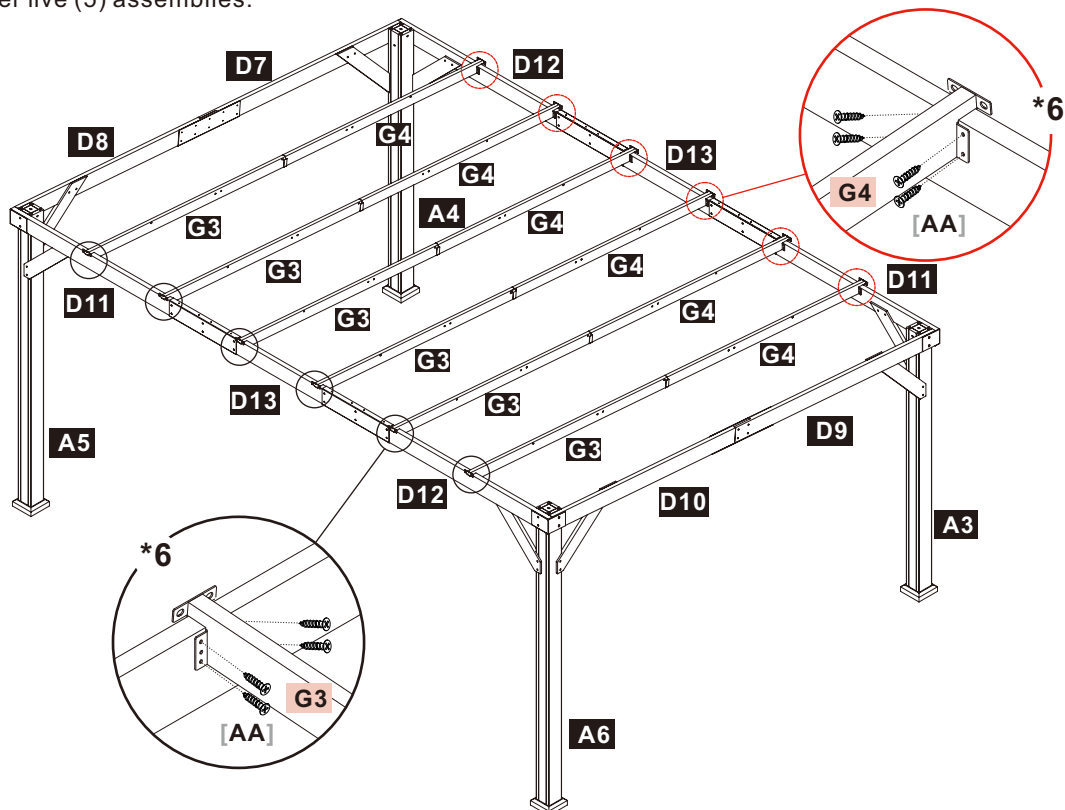
[EE] x48



STEP 13#

Use four (4) **[AA]** bolts to attach each end of roof rib assembly **G3 G4** to front beam assembly and rear beam assembly. Repeat with the other five (5) assemblies.

[AA] x48

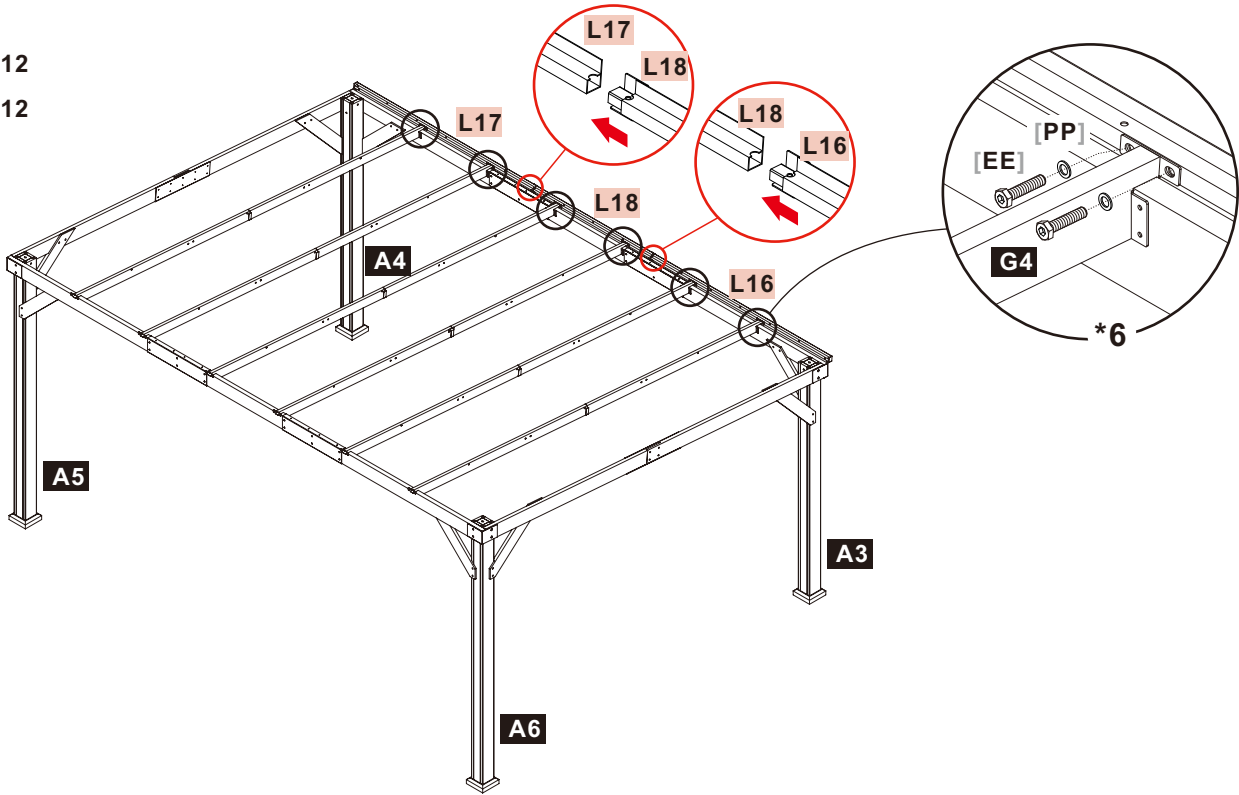


STEP 14#

Attach one (1) roof plate border **L18** to **L16** and **L17**. Use two (2) **[EE]** bolts and two (2) **[PP]** flat washers to attach each connection point of roof plate border assembly **L18 L17 L16** to roof rib **G3 G4**. Repeat with the other five (5) connection points.

[PP] x12

[EE] x12

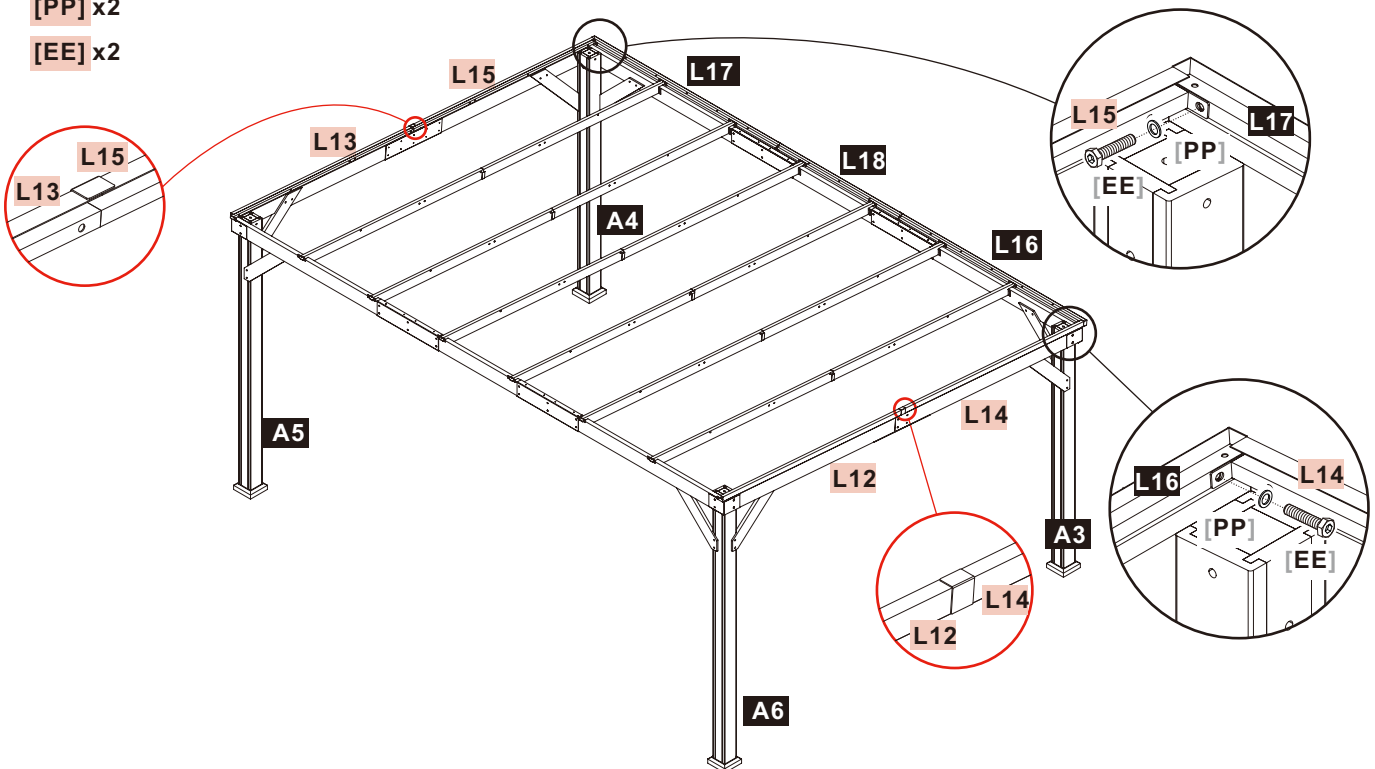


STEP 15#

Connect roof plate border **L13** with **L15**. Use one (1) **[EE]** bolt and one (1) **[PP]** flat washer to attach **L15** to **L17**. Connect roof plate border **L12** with **L14**. Use one (1) **[EE]** bolt and one (1) **[PP]** flat washer to attach **L14** to **L16**.

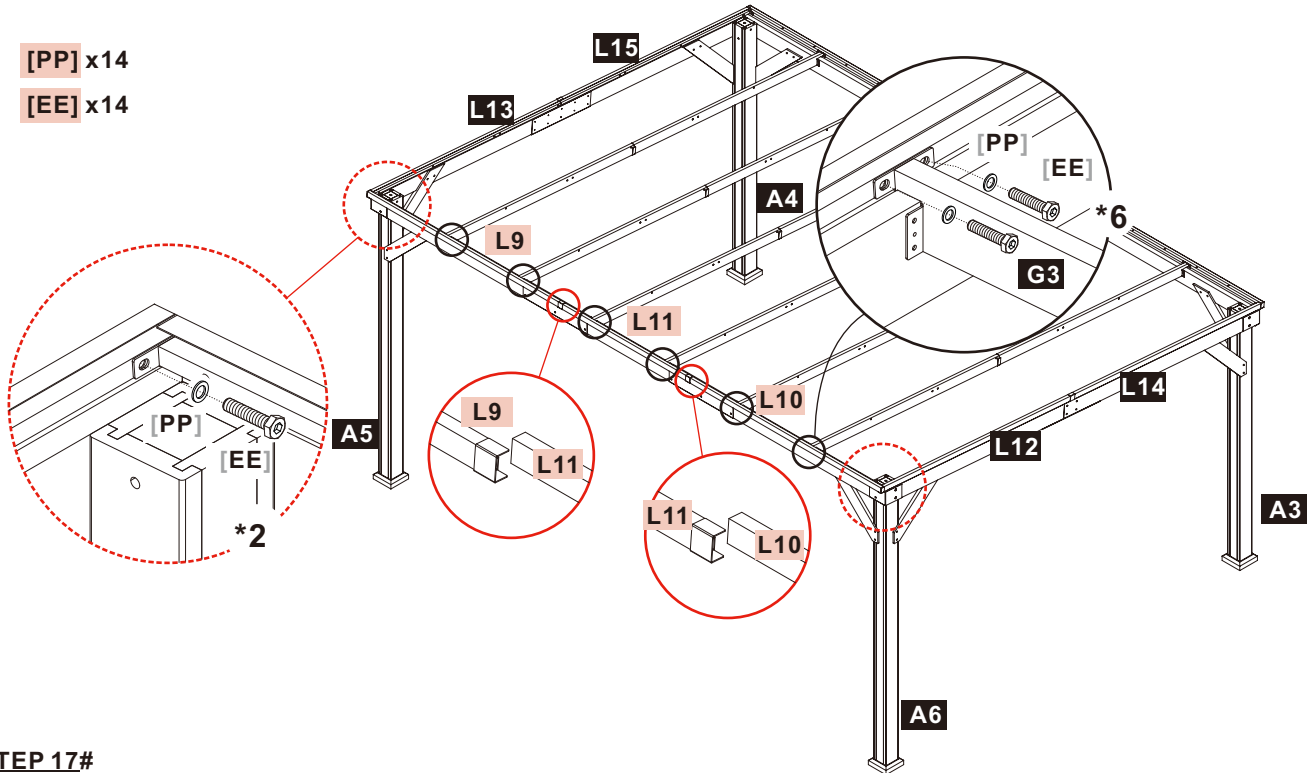
[PP] x2

[EE] x2



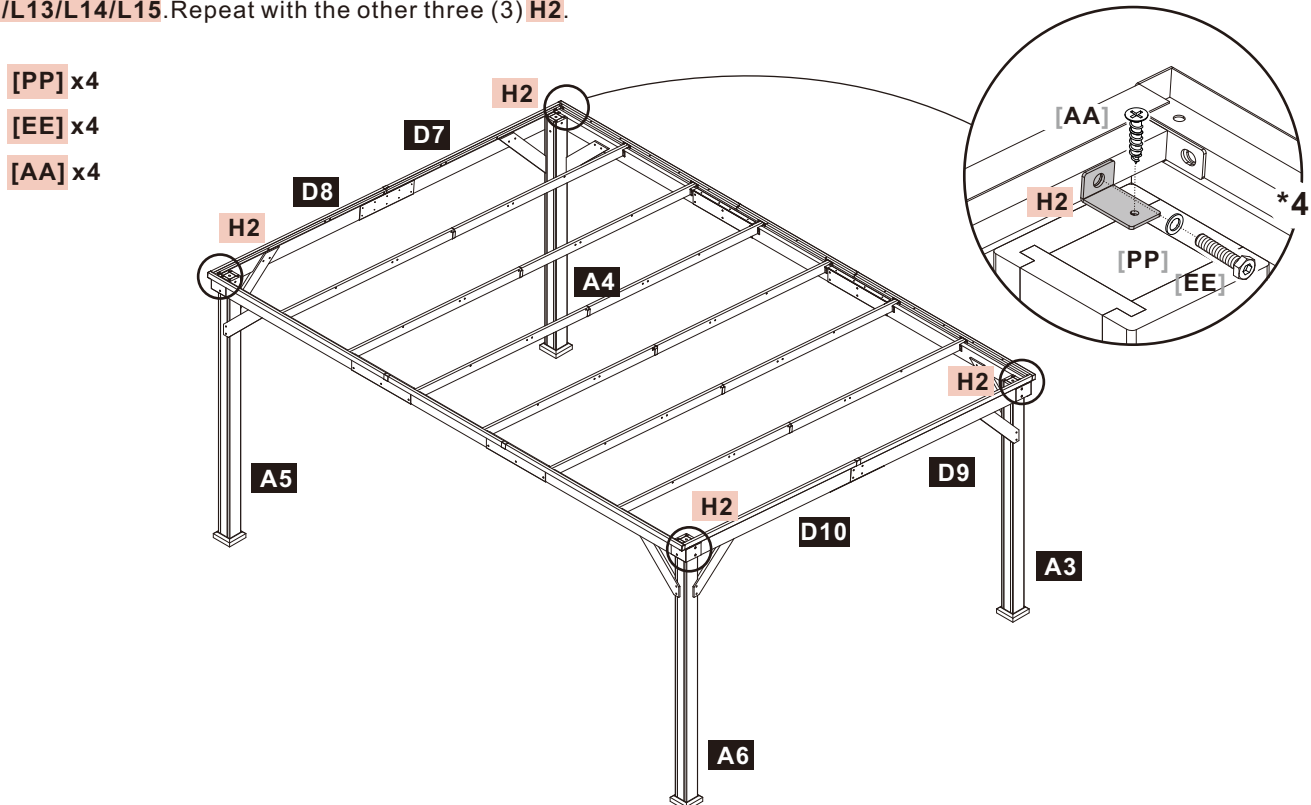
STEP 16#

Attach one (1) roof plate border **L11** to **L9** and **L10**. Use two (2) **[EE]** bolts and two (2) **[PP]** flat washers to attach each connection point of roof plate border assembly **L9 L10 L11** to roof rib **G3 G4**. Repeat with the other five (5) connection points. Use one (1) **[EE]** bolt and one (1) **[PP]** flat washer to attach **L13** to **L9**. Use one (1) **[EE]** bolt and one (1) **[PP]** flat washer to attach **L12** to **L10**.



STEP 17#

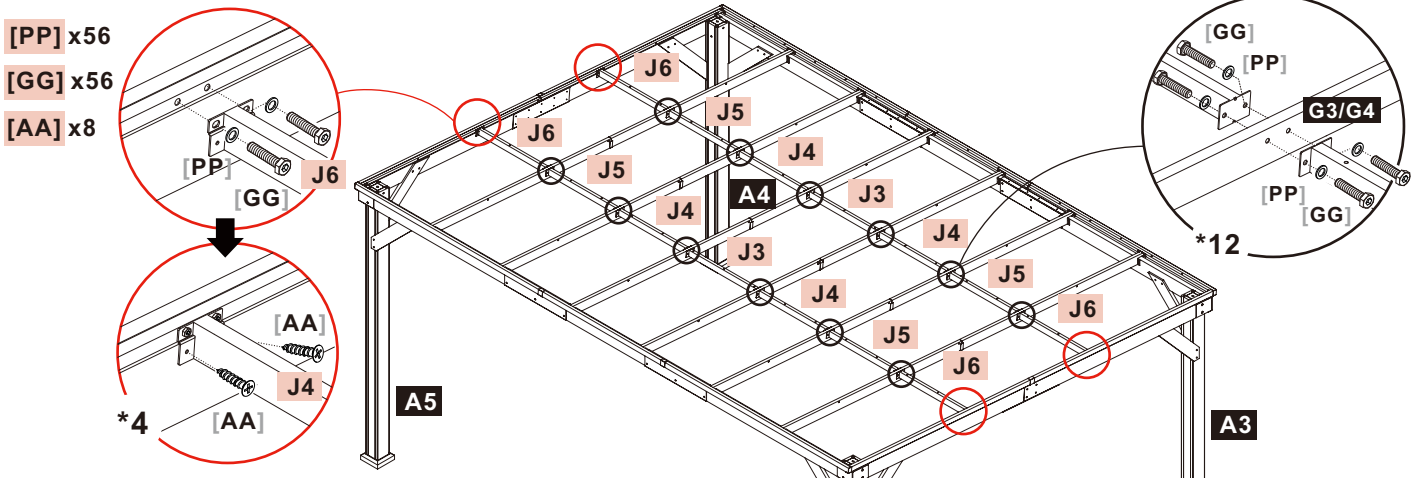
Use one (1) **[AA]** bolt, one (1) **[EE]** bolt and one (1) **[PP]** flat washer to attach one (1) connector **H2** to roof plate border **L12/L13/L14/L15**. Repeat with the other three (3) **H2**.



STEP 18#

Use two (2) [GG] bolts and two (2) [PP] flat washers to attach each end of roof rib support **J3** to roof rib **G3 G4**. Repeat with the other **J3** and four (4) **J4** and **J5**.

Use two (2) [GG] bolts and two (2) [PP] flat washers to attach one end of roof rib support **J6** to roof rib **G3 G4**. Use two (2) [AA] bolts to attach the other end of roof rib support **J6** to side beams. Repeat with the other three (3) **J6**.

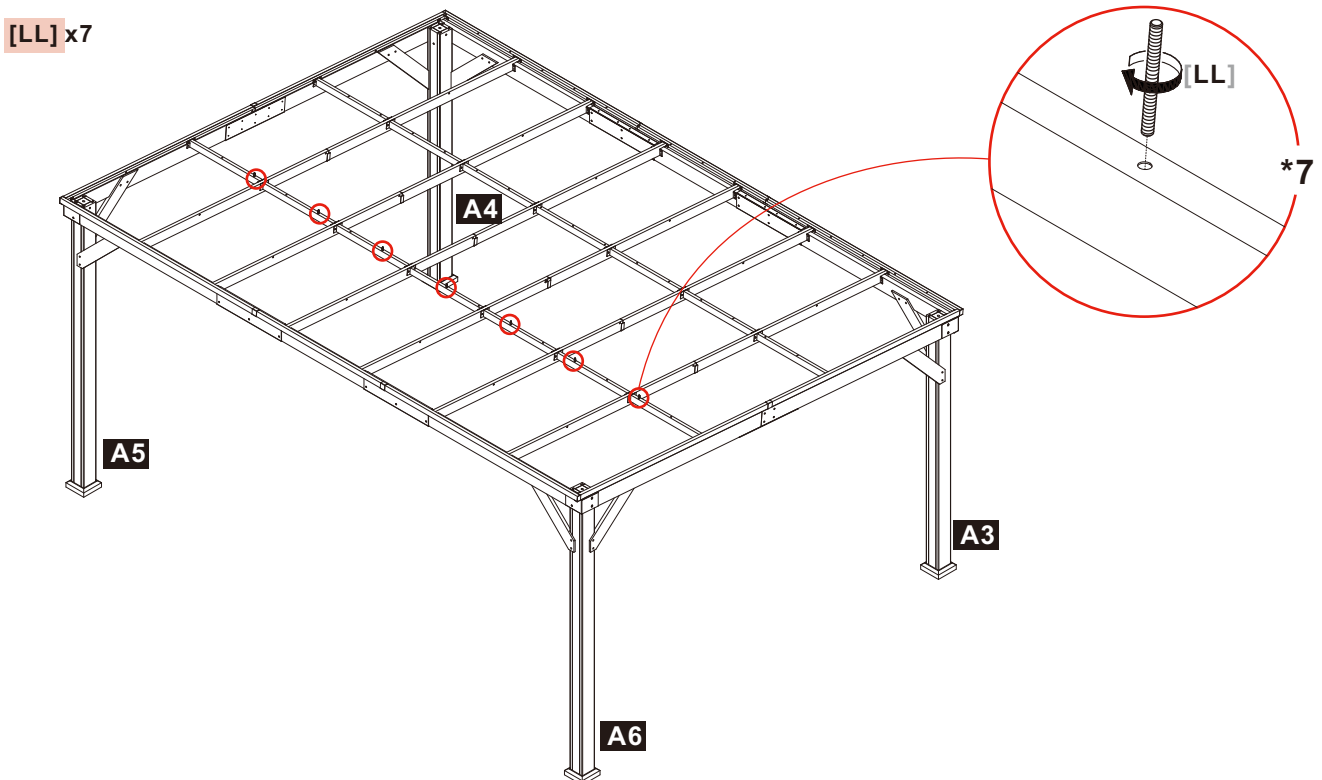


J6	J5	J4	J3	J4	J5	J6
✓	✓	✓		✓	✓	✓
J6	J5	J4	J3	J4	J5	J6
✗	✗	✗		✗	✗	✗

! Important: Make sure the direction of the Roof Rib supports (J3, J4, J5, J6) matches the hole positions as shown in the picture below. Installing them incorrectly will affect the assembly of the roof panels.

STEP 19#

Attach seven (7) [LL] double head screws to roof rib supports **J3, J4, J5** and **J6**.



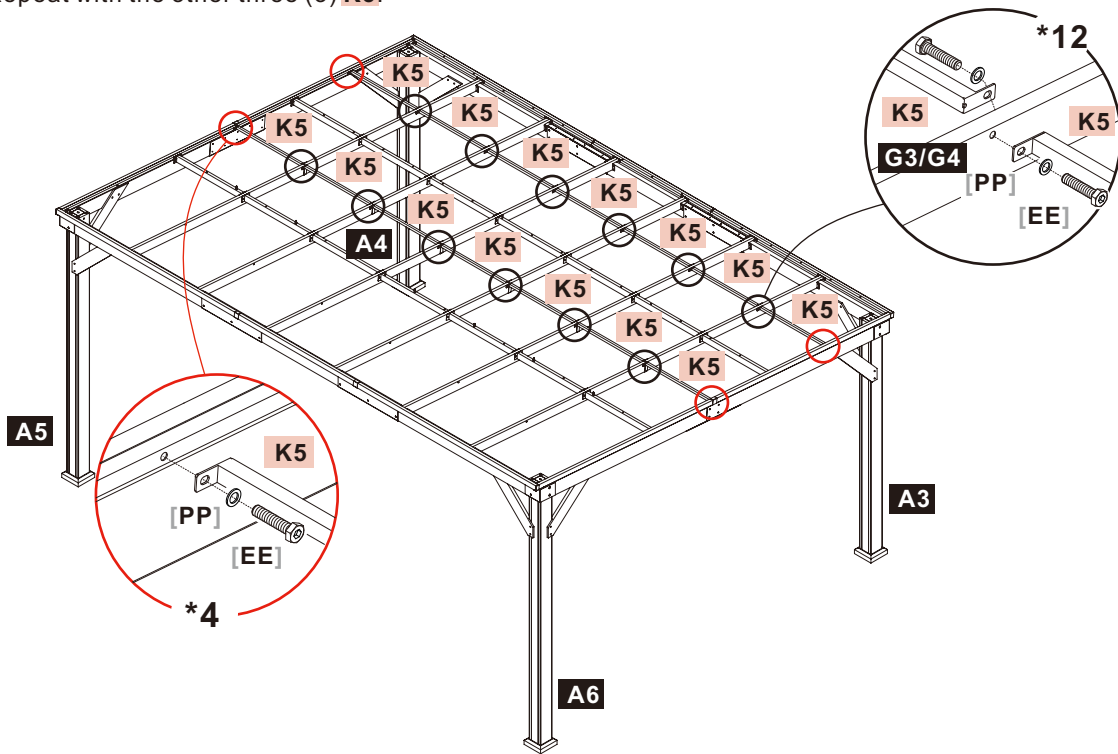
STEP 20#

Use one (1) [EE] bolt and one (1) [PP] flat washer to attach each end of top beam support **K5** to roof rib assembly **G3 G4**. Repeat with the other nine (9) **K5**.

Use one (1) [EE] bolt and one (1) [PP] flat washer to attach each end of top beam support **K5** to roof rib assembly **G3 G4** and side beams. Repeat with the other three (3) **K5**.

[PP] x28

[EE] x28



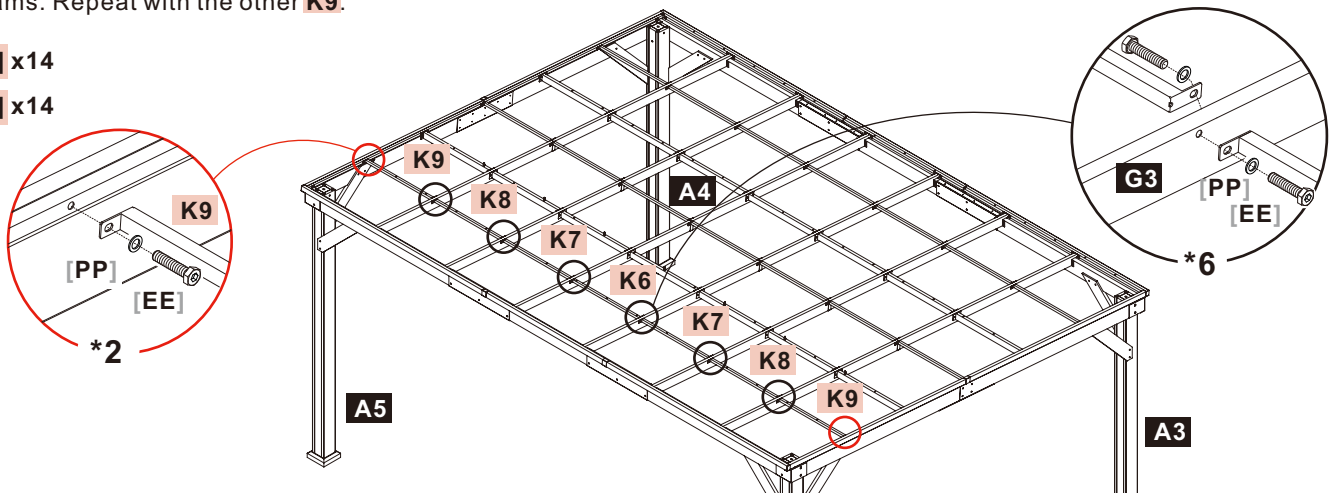
STEP 21#

Use one (1) [EE] bolt and one (1) [PP] flat washer to attach each end of top beam support **K6** to roof rib assembly **G3/G4**. Repeat with other two (2) **K7** and two (2) **K8**.

Use one (1) [EE] bolt and one (1) [PP] flat washer to attach each end of top beam support **K9** to roof rib assembly **G3/G4** and side beams. Repeat with the other **K9**.

[PP] x14

[EE] x14



K9	K8	K7	K6	K7	K8	K9
✓	✓	✓		✓	✓	✓
K9	K8	K7	K6	K7	K8	K9
✗	✗	✗		✗	✗	✗

! Important: Make sure the direction of the top beam supports (**K6, K7, K8, K9**) matches the hole positions as shown in the picture below. Installing them incorrectly will affect the assembly of the roof panels.

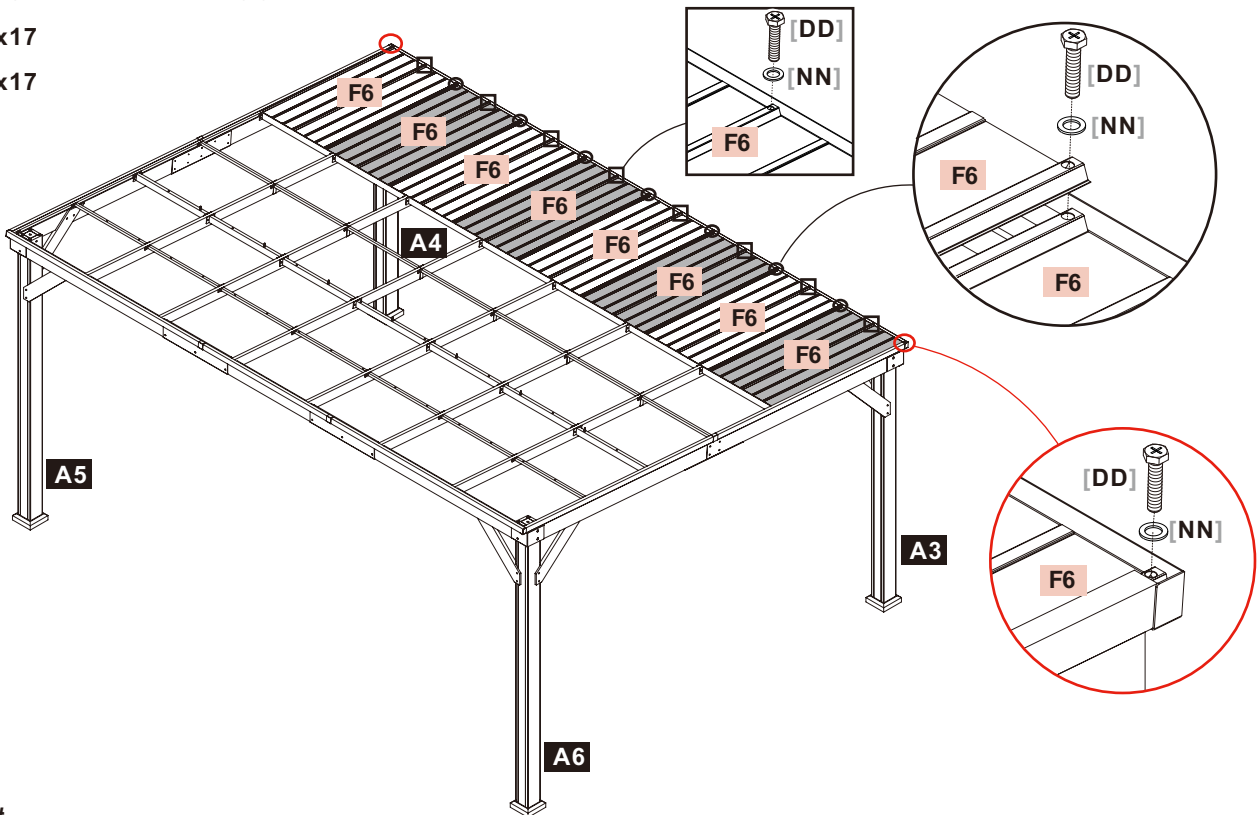
STEP 22#

DO NOT tighten the bolts completely until all the bolts and washers are properly installed. Overlap the edges of the adjacent roof plates together.

Use one (1) [DD] bolt and one (1) [NN] flat washer to attach each hole of roof plates F6 to the frame.

[NN] x17

[DD] x17

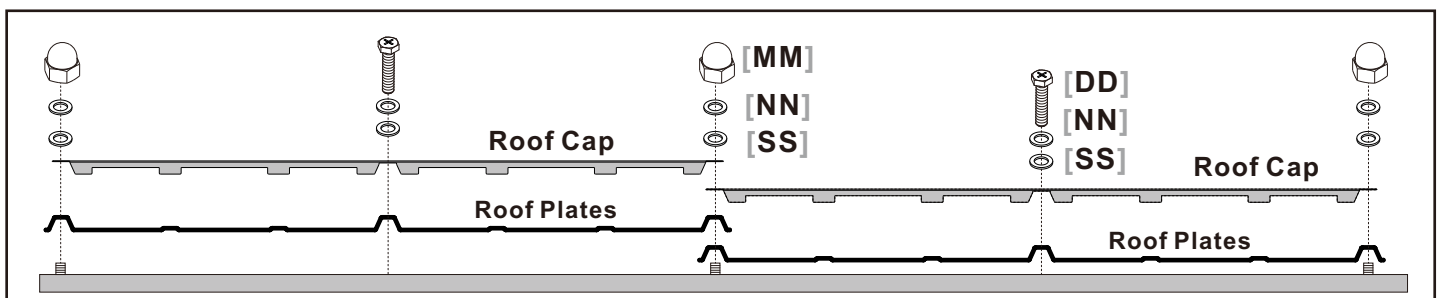
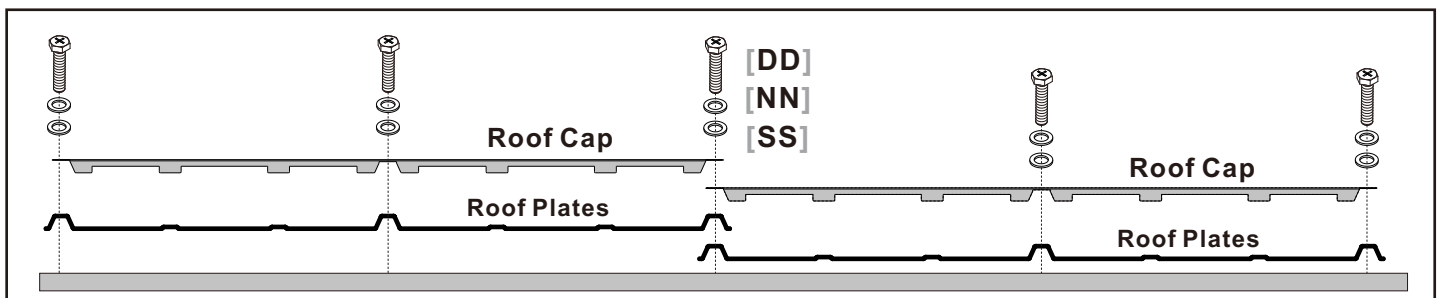


STEP 23#

Roof Plate / Roof Cap Assembly Reference

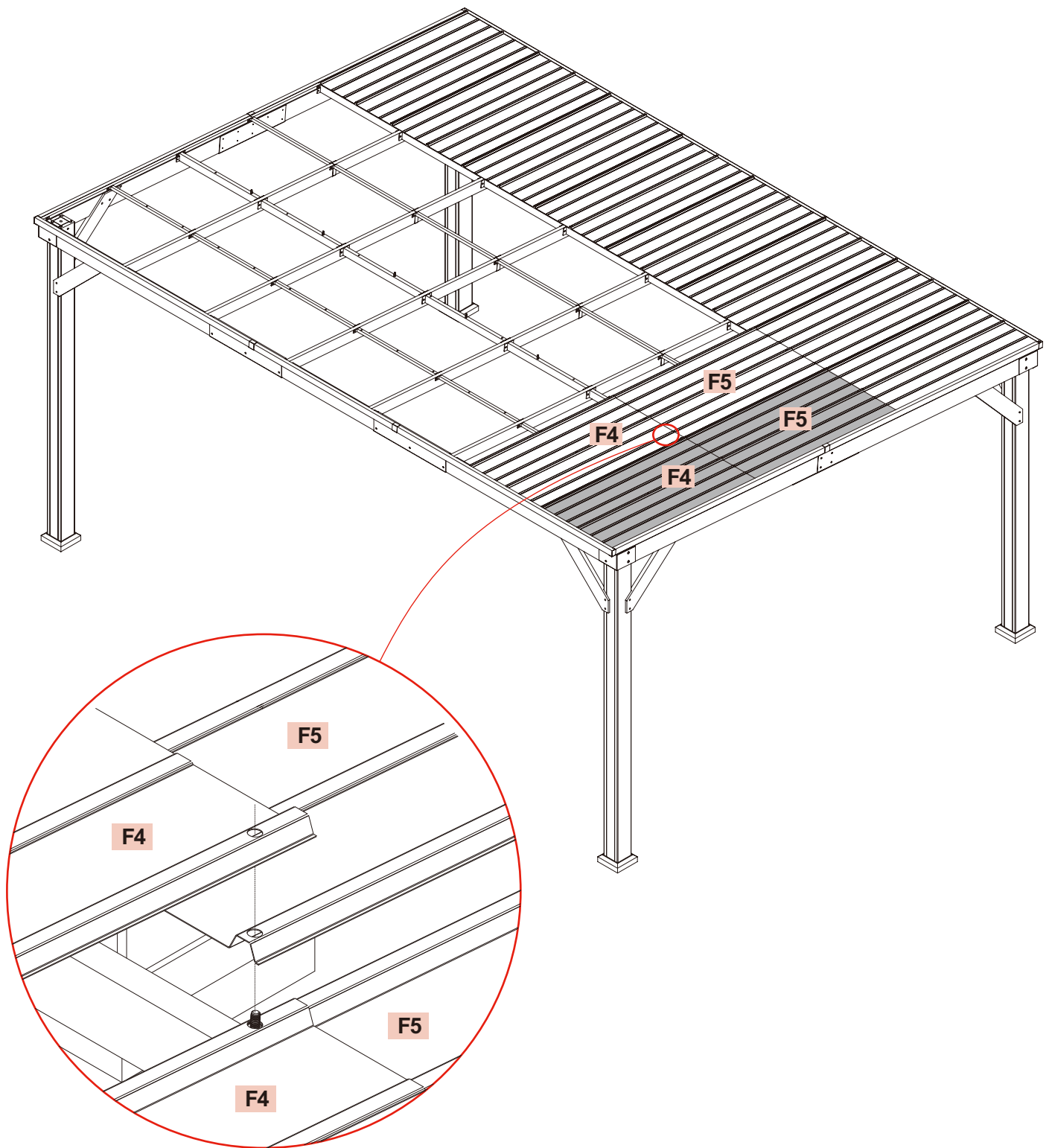
The diagram below is provided as a visual reference for Steps 24–31. It shows the correct arrangement and overlapping order of roof plates F4, F5, and Roof Cap M.

Always follow this diagram to ensure proper alignment and installation in Steps 24–31.



STEP 24#

Place Roof Plates **F4** and **F5** onto the roof frame as shown, aligning them with the supporting beams. Lay an additional **F5** roof plate on top, then place one (1) **F4** Roof Plate on top to complete the layered roof plate assembly.



STEP 25#

Place one (1) Roof Cap **M** over the overlapping roof plates **F5** and **F6** as shown. Secure the Roof Cap **M** using one (1) **[DD]** bolt, one (1) **[NN]** flat washer and one (1) **[SS]** sealant washer. Overlap the edges of the adjacent Roof Cap **M** together, secure with one (1) **[DD]** bolt, one (1) **[NN]** flat washer and one (1) **[SS]** sealant washer.

Place one (1) Roof Cap **M** over the overlapping roof plates **F4** and **F5** as shown. Secure the Roof Cap **M** using one (1) **[DD]** bolt, one (1) **[NN]** flat washer and one (1) **[SS]** sealant washer. Overlap the edges of the adjacent Roof Cap **M** together, secure with one (1) **[MM]** Ball Nut, one (1) **[NN]** flat washer and one (1) **[SS]** sealant washer.

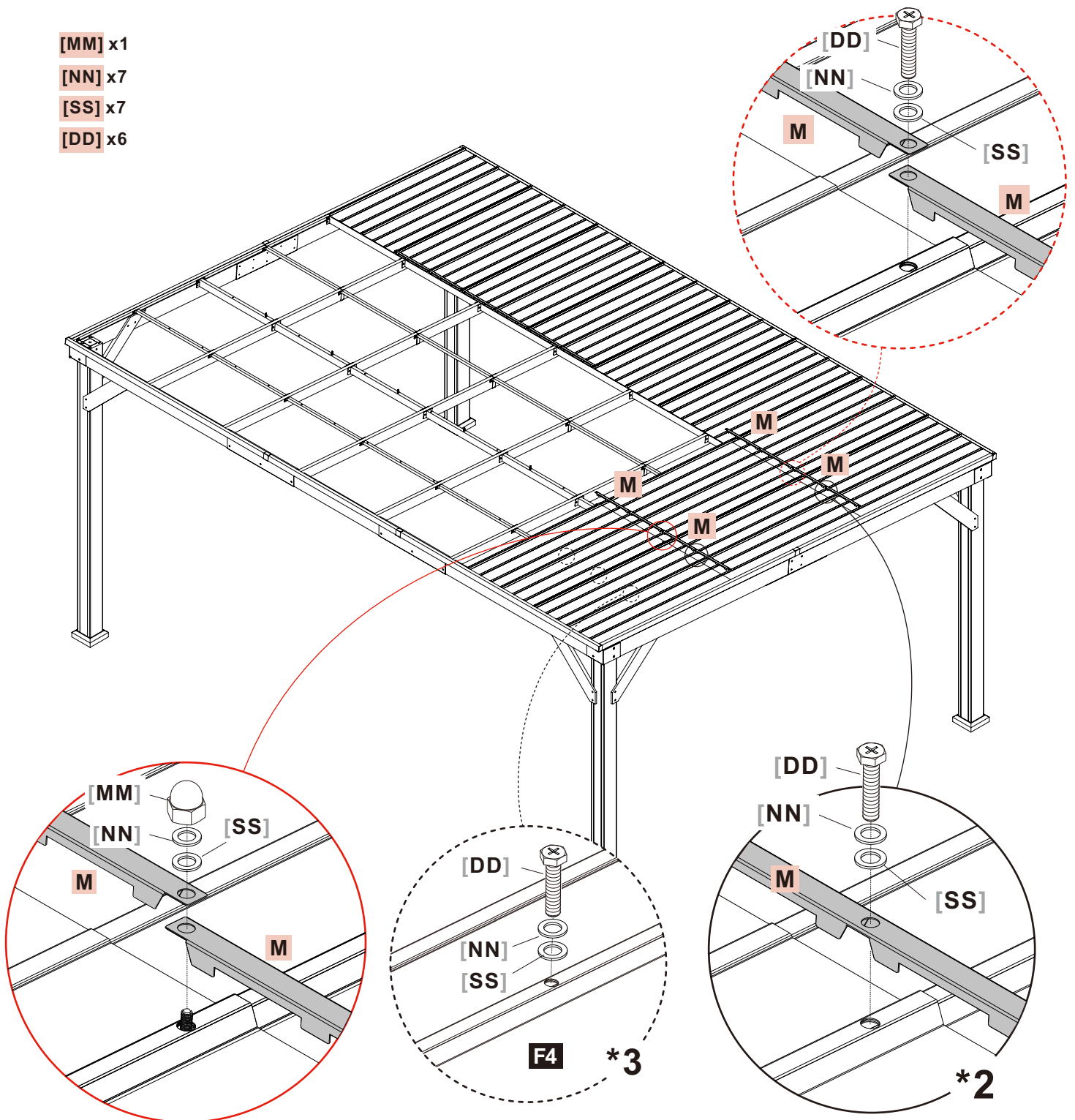
Use one (1) **[DD]** bolt, one (1) **[NN]** flat washer and one (1) **[SS]** sealant washer to secure the Roof Plate **F4** to the frame. Repeat with the other two (2) holes.

[MM] x1

[NN] x7

[SS] x7

[DD] x6

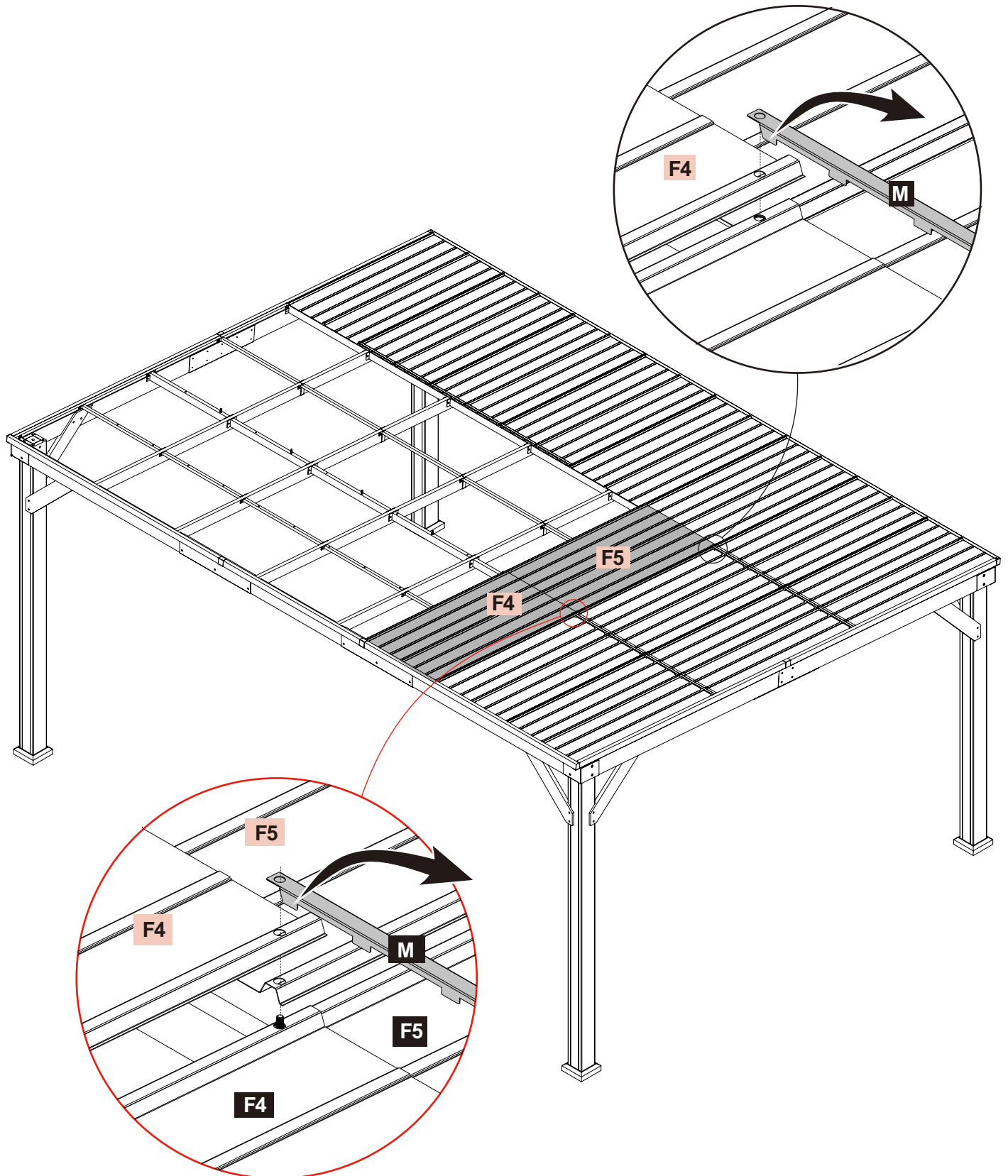


STEP 26#

At the connection between **F5** and **F6**, place **F5** under the Roof Cap **M** as shown.

At the connection between **F4** and **F5**, place **F4** under the Roof Cap **M**.

Make sure all roof plates are correctly overlapped and fully seated beneath the roof cap before fastening.



STEP 27#

For the Roof Cap **M** on the connection of roof plates **F5 and F6**, secure the Roof Cap **M** using one (1) **[DD]** bolt, one (1) **[NN]** flat washer and one (1) **[SS]** sealant washer. Overlap the edges of the adjacent Roof Cap **M** together, secure with one (1) **[DD]** bolt, one (1) **[NN]** flat washer and one (1) **[SS]** sealant washer.

For the Roof Cap **M** on the connection of roof plates **F4 and F5**, secure the Roof Cap **M** using one (1) **[DD]** bolt, one (1) **[NN]** flat washer and one (1) **[SS]** sealant washer. Overlap the edges of the adjacent Roof Cap **M** together, secure with one (1) **[MM]** Ball Nut, one (1) **[NN]** flat washer and one (1) **[SS]** sealant washer.

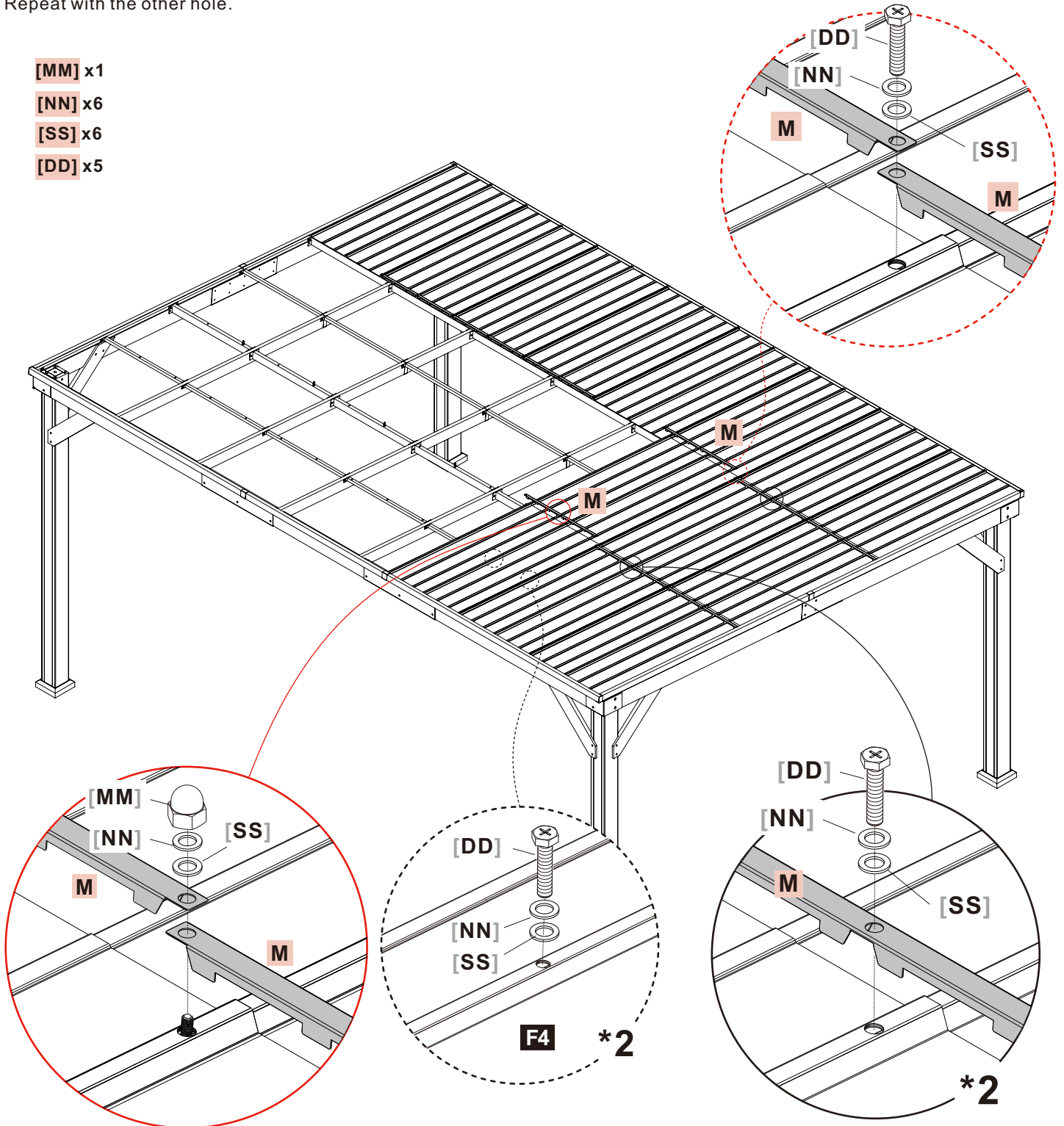
Use one (1) **[DD]** bolt, one (1) **[NN]** flat washer and one (1) **[SS]** sealant washer to secure the Roof Plate **F4** to the frame. Repeat with the other hole.

[MM] x1

[NN] x6

[SS] x6

[DD] x5

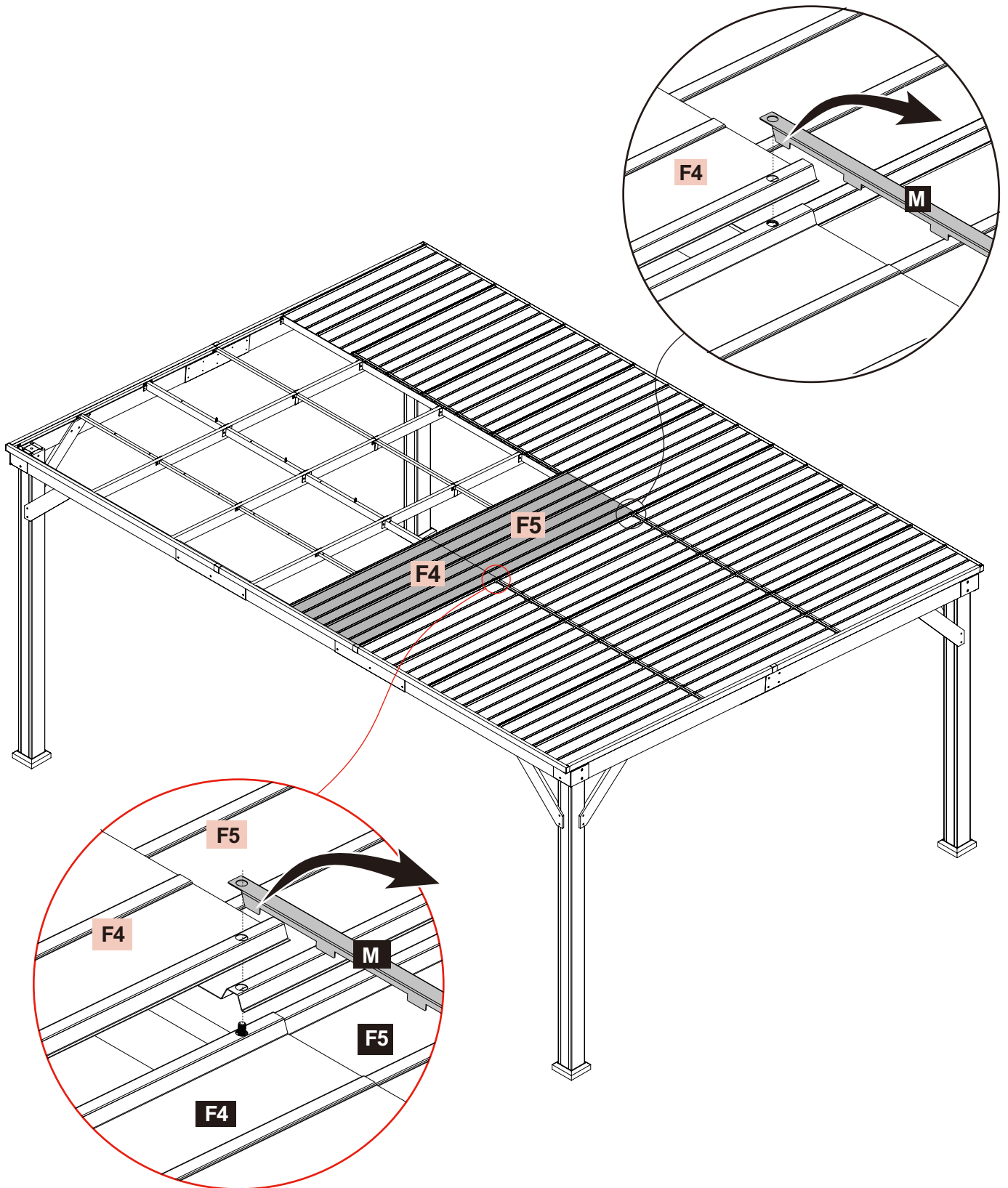


STEP 28#

At the connection between **F5** and **F6**, place **F5** under the Roof Cap **M** as shown.

At the connection between **F4** and **F5**, place **F4** under the Roof Cap **M**.

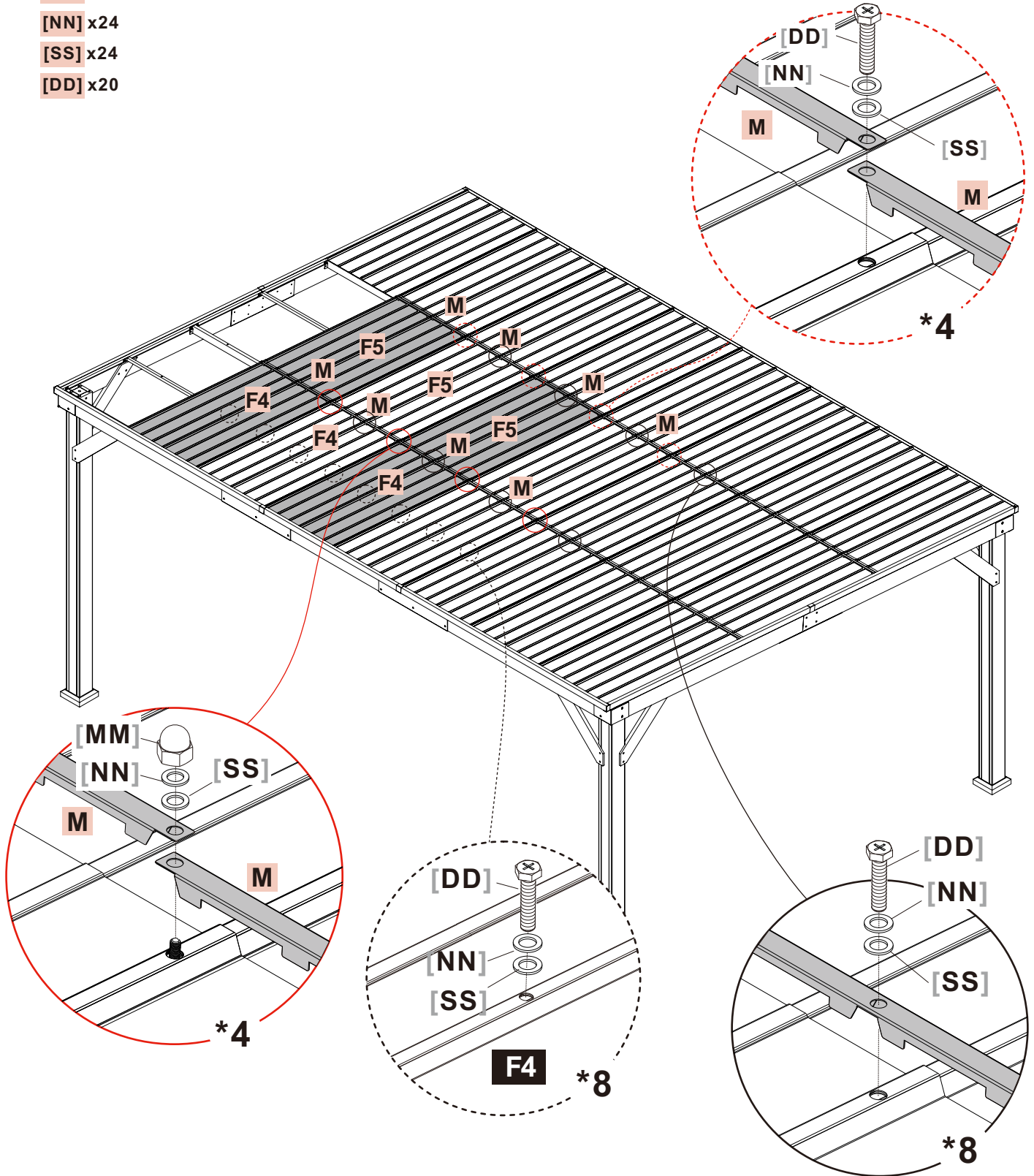
Make sure all roof plates are correctly overlapped and fully seated beneath the roof cap before fastening.



STEP 29#

Follow Step 26 to install the remaining three (3) **F4** roof plates, three (3) **F5** roof plates, and Roof Caps (**M**) in the same manner as shown.

- [MM]** x4
- [NN]** x24
- [SS]** x24
- [DD]** x20

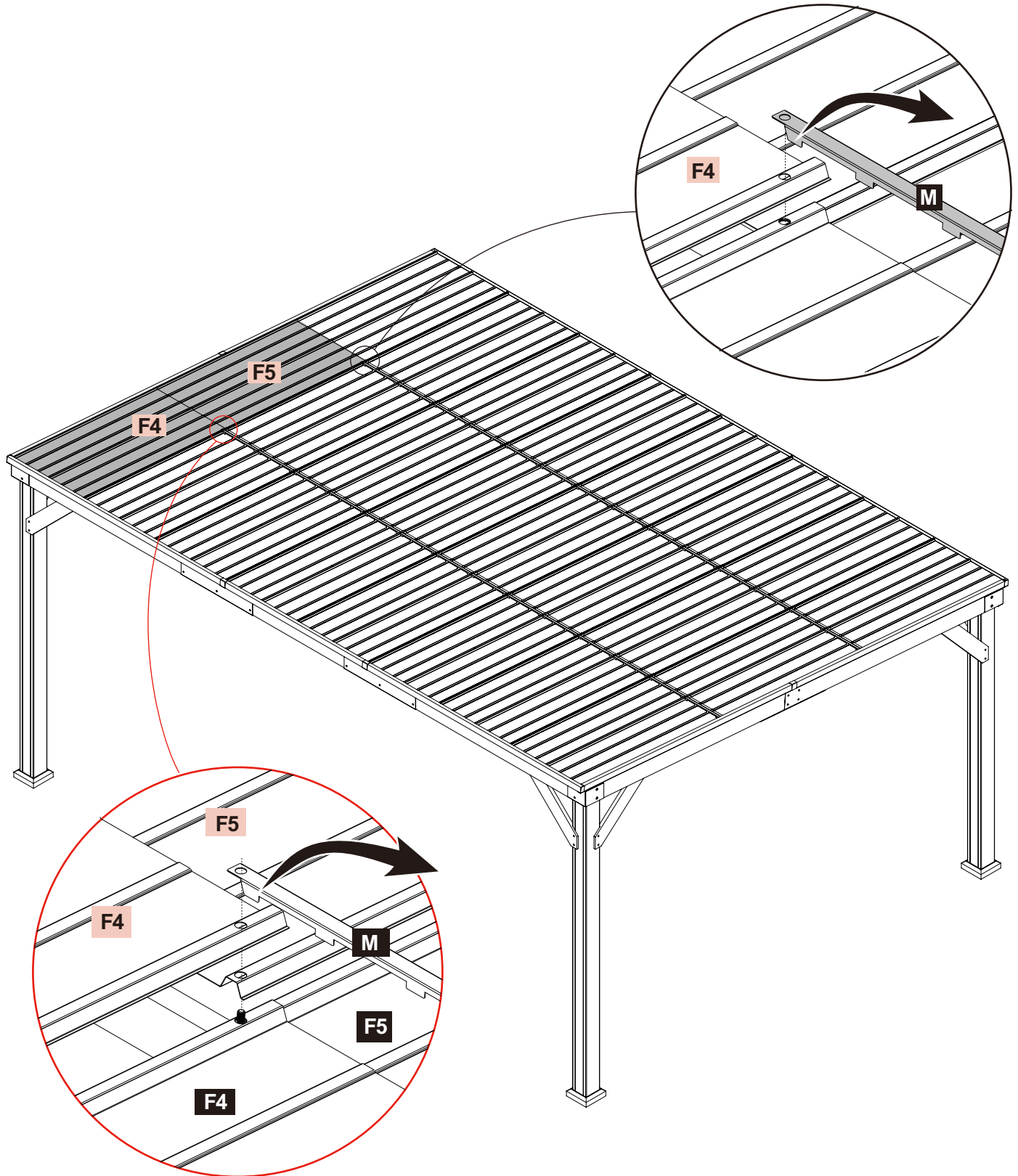


STEP 30#

At the connection between **F5** and **F6**, place **F5** under the Roof Cap **M** as shown.

At the connection between **F4** and **F5**, place **F4** under the Roof Cap **M**.

Make sure all roof plates are correctly overlapped and fully seated beneath the roof cap before fastening.



STEP 31#

For the Roof Cap **M** on the connection of roof plates **F5 and F6**, secure the Roof Cap **M** using one (1) **[DD]** bolt, one (1) **[NN]** flat washer and one (1) **[SS]** sealant washer. Overlap the edges of the adjacent Roof Cap **M** together, secure with one (1) **[DD]** bolt, one (1) **[NN]** flat washer and one (1) **[SS]** sealant washer. Use one (1) **[DD]** bolt, one (1) **[NN]** flat washer and one (1) **[SS]** sealant washer to attach the center of **M** to the frame.

For the Roof Cap **M** on the connection of roof plates **F4 and F5**, secure the Roof Cap **M** using one (1) **[DD]** bolt, one (1) **[NN]** flat washer and one (1) **[SS]** sealant washer. Overlap the edges of the adjacent Roof Cap **M** together, secure with one (1) **[MM]** Ball Nut, one (1) **[NN]** flat washer and one (1) **[SS]** sealant washer. Use one (1) **[DD]** bolt, one (1) **[NN]** flat washer and one (1) **[SS]** sealant washer to attach the center of **M** to the frame.

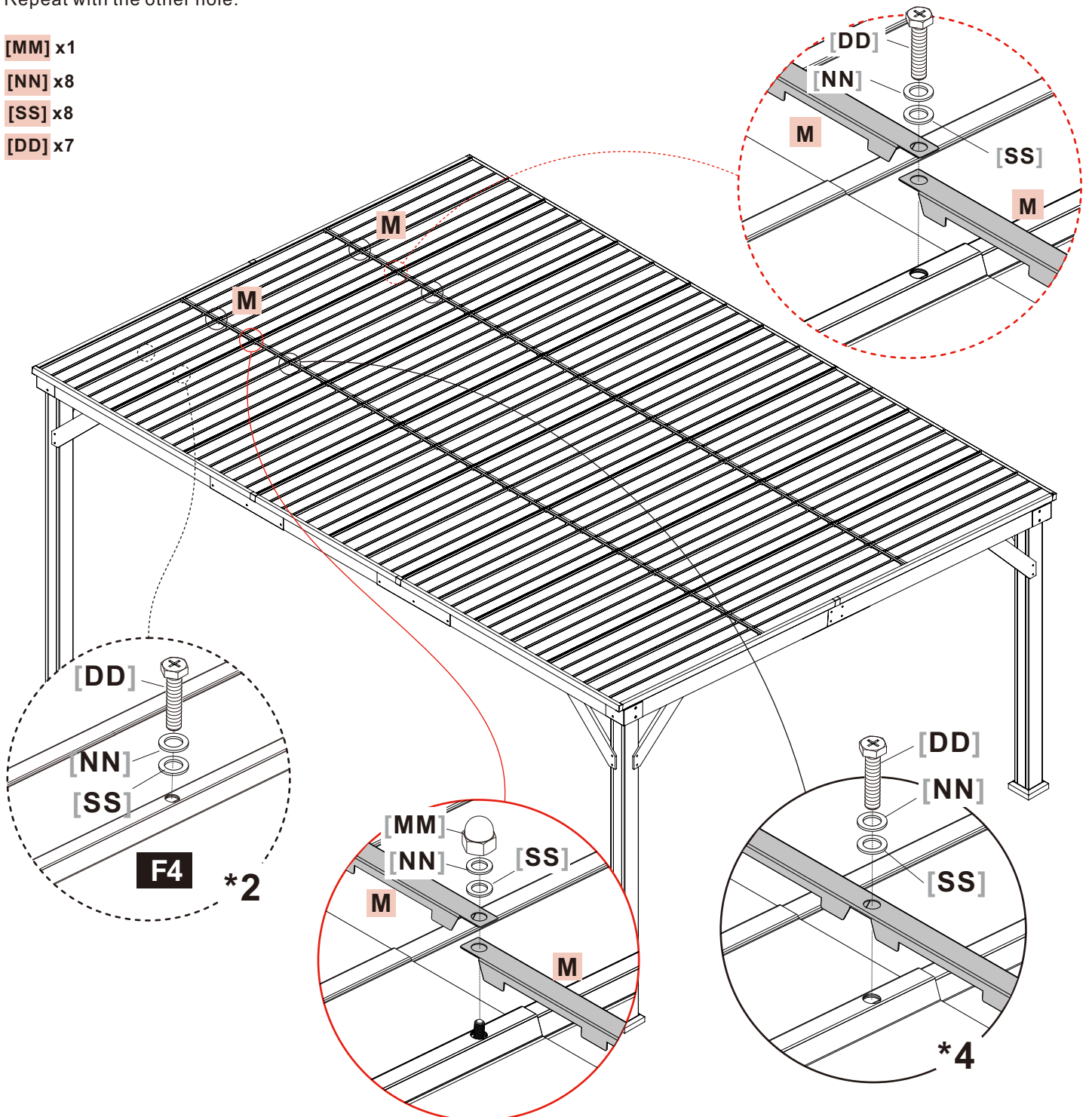
Use one (1) **[DD]** bolt, one (1) **[NN]** flat washer and one (1) **[SS]** sealant washer to secure the Roof Plate **F4** to the frame. Repeat with the other hole.

[MM] x1

[NN] x8

[SS] x8

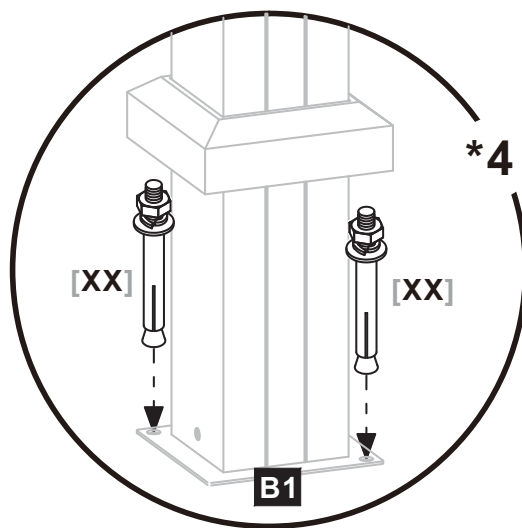
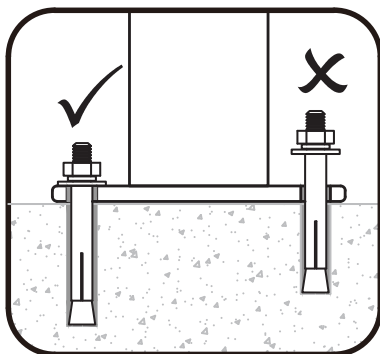
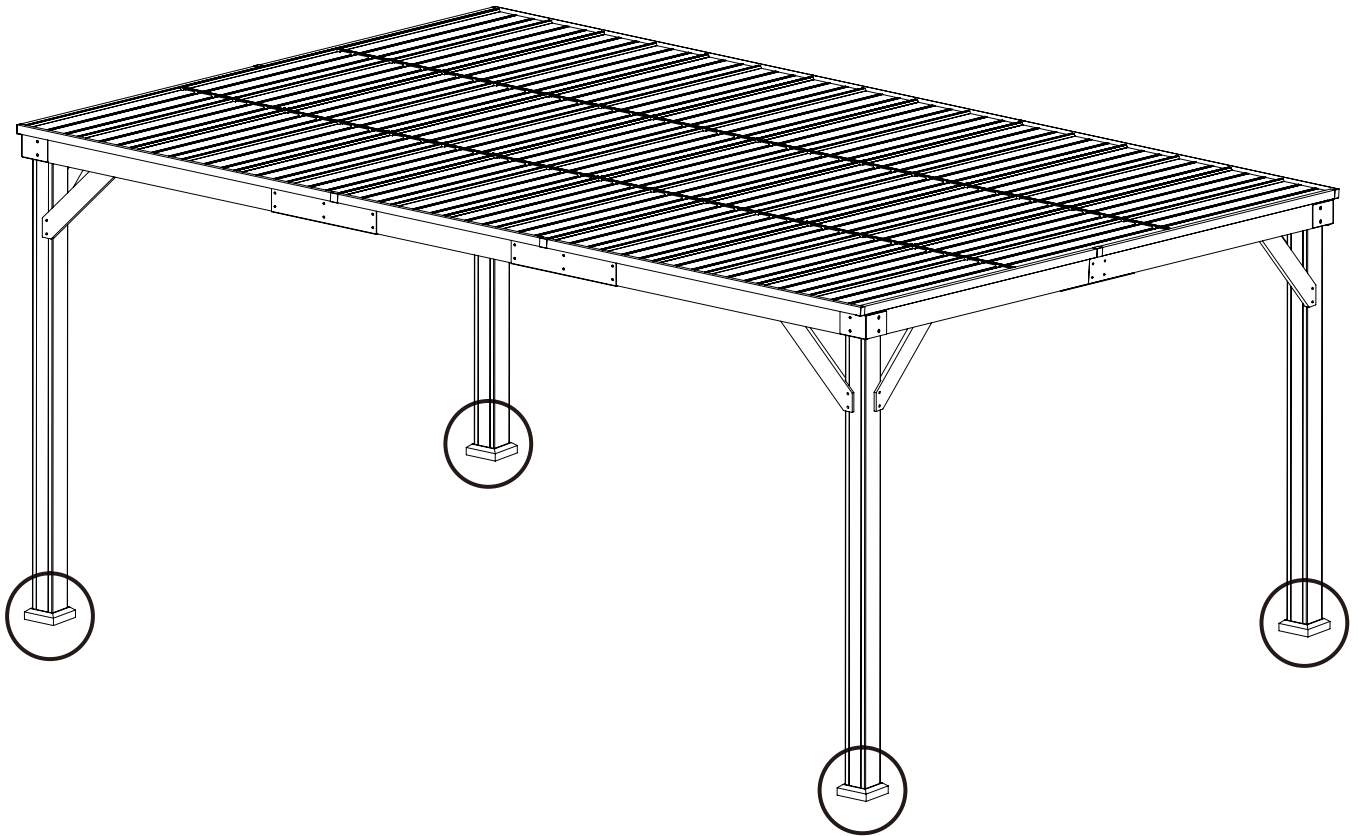
[DD] x7



STEP 32#

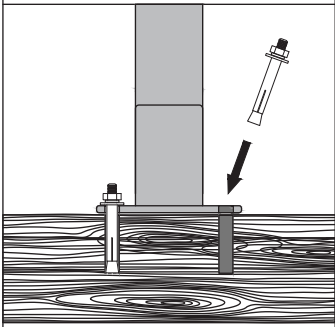
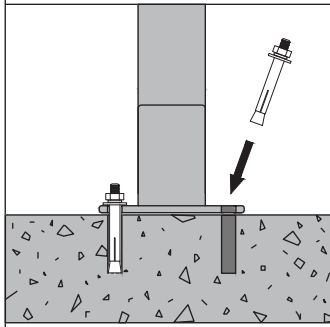


Use two (2) [XX] expansion bolts to anchor each post foot base **B1**. Please make sure the expansion bolts are fully anchored. We recommend using a 3/8 inch drill bit when installing the included expansion bolts.

[XX] x8



Outdoor Structure anchoring guide for anchoring gazebo to wood or concrete: If step 32, on page 25 in the assembly instructions is not properly completed, this will void the warranty.

WARNING! If your gazebo is not properly anchored, damage could occur. It is highly recommended for maximum safety that you mount and secure to wood or concrete footers. This is far better and safer than using ground stakes. The following are some examples of how to mount the structure to wood or concrete surfaces. Refer to local building codes or consider consulting a licensed contractor for assistance in the anchoring of this product.

WOOD	CONCRETE
	
<p>Anchors should be drilled into joists or reinforced blocking (not only deck boards).</p>  <p>Recommended Hardware: Expansion Bolt</p>	<p>Pre-drill holes for appropriately sized concrete anchors.</p>  <p>Recommended Hardware: Expansion Bolt</p>

If digging for foundation, please double check for possibility of any underground utilities such as gas, telephone, cable or sprinkler lines. Refer to your local building and city codes, ordinances, neighborhood covenants, or height restrictions regarding this type of structure for guidance on acceptable installation requirements.

CAUTION
DO NOT climb or walk on roof for any reason.

- Our components are intended for privacy, decorative and ornamental use only.
- Product is NOT INTENDED for the following:
 - A safety barrier to prevent unsupervised access to pools, hot tubs, spas or ponds.
 - As load bearing support for a building, structure, heavy objects or swings.
 - Used in structures that trap wind, rain or snow that would create extra load on the product.
 - Accumulated snow must be removed from roof.
 - DO NOT climb or walk on roof for any reason.

LIMITED WARRANTY

We warrants this product against defects in materials and workmanship for a period of one (1) year from the original date of purchase. To the extent any such defects occur, our products will send the appropriate replacement part(s) at no charge.

This warranty does not cover:

- Inspection costs or labor for replacement of any defective parts);
- Incidental or consequential damages;
- Cosmetic defects which DO NOT affect performance;
- Normal wear and tear;
- Damage due to vandalism; acts of nature, including but not limited to wind, storms, hail, floods;
- Improper assembly, installation, or use;
- Discoloration or fading of the finish as a result of exposure to chemicals, spills, pool or salt water
- Corrosion/ rust.

Your product has been designed for safety and quality. Any modifications made to the original product could compromise its structural integrity or function, and could lead to product failure or personal injury. As such, modifying this product voids any and all warranties.

This product is warranted for RESIDENTIAL USE ONLY, and is not for commercial, contract or other non-residential purposes. Products disclaims all other representations and warranties of any kind, express or implied.

The warranty applies to the original purchaser and is non-transferable. It does not apply to purchases of display models, or when the product is sold on clearance or "as is".

We makes no warranty whatsoever in respect to accessories or parts not supplied with it. This warranty shall apply only within the boundaries of the United States of America and Canada. This warranty gives the original purchaser specific rights, and the original purchaser may also have other rights, which vary from state to state.

