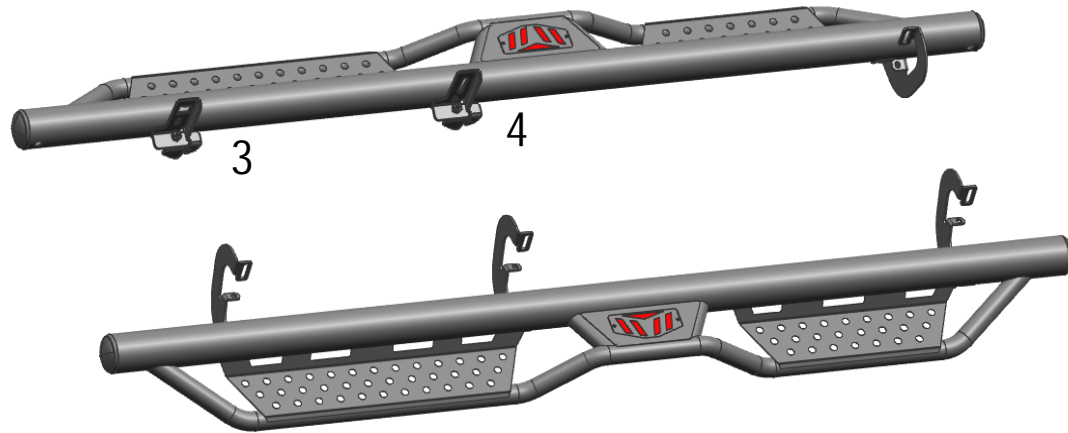


## CARE AND USE INSTRUCTIONS

TB240026



Front



## PRE-INSTALLATION INSTRUCTIONS

Read this instruction carefully before starting installation.  
Proper tools will improve the quality of installation and reduce the time required.

**Professional installation would be highly recommended.**

If missing parts or any damage found, please take a picture and contact us.

For diesel engine vehicle, the DEF tank is very heavy.

Teamwork and floor jack are highly recommended.

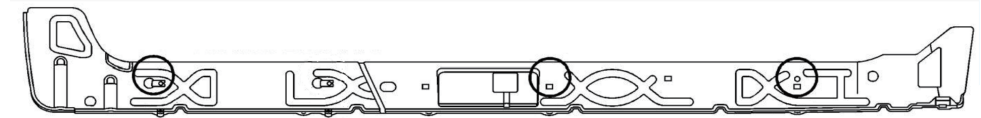
## CARE AND USE INSTRUCTIONS

### Driver Left Side

#### 01 STEP1

#### pre-installation(Diesel engine vehicle ONLY)

1. Locate (4) mounting positions on driver side inner rocker panel.
2. Clean the sealant and dirt around mounting positions.
3. Remove the factory plastic plugs, clean the factory thread holes and weld nuts if equipped.
4. Insert the M8 clip nuts onto existing holes on the inner rocker panel.  
(Insert clip nut onto the large hole and over the smaller hole next to it.)



3

2

1

Front

#### 02 STEP2

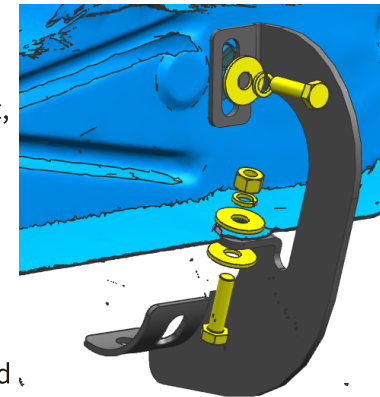
#### Pedal holders and car mounts

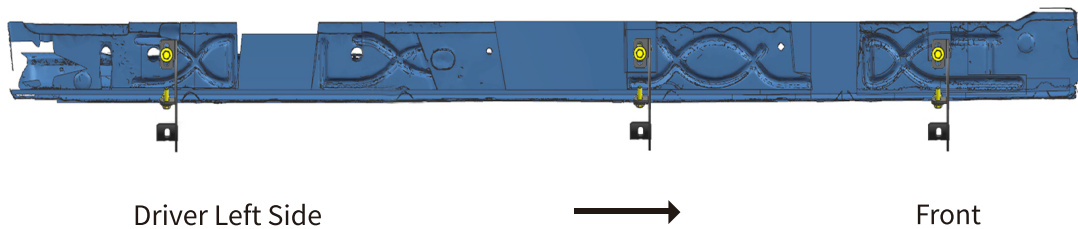
1. Attach the bracket to inner rocker panel.
2. Secure bracket to inner rocker panel with (1) M8 hex bolt, (1) M8 flat washer, (1) M8 lock washer.
3. Secure bracket to pinch weld with (1) M8 hex bolt, (2) M8 flat washers, (1) M8 lock washer, (1) M8 hex nut.
4. Repeat to install all brackets on driver side.  
Do not fully tighten.



#### Note:

Use the factory nut directly, if your vehicle equipped, factory weld nut on pinch weld.





**Passenger Right Side**

**01 STEP1 pre-installation (Diesel engine vehicle ONLY)**

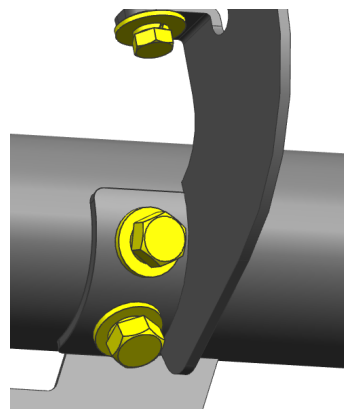
For an easier installation, remove the DEF tank may necessary.

For 07-16 models, remove (2) bolts located between the cover and inner rocker panel and (3) under the passenger side frame rail.

For 17-18 models, remove (4) bolts on exterior of DEF tank cover under the passenger side front door.

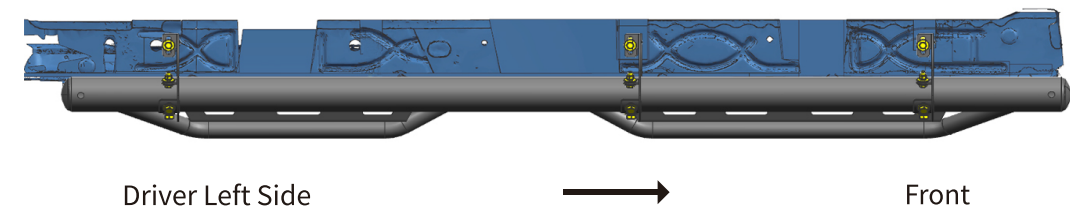
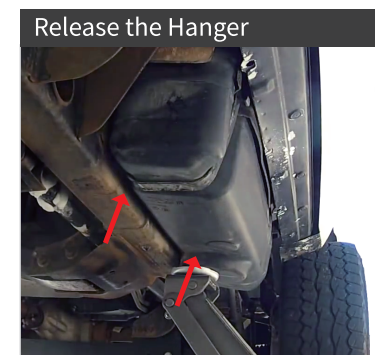
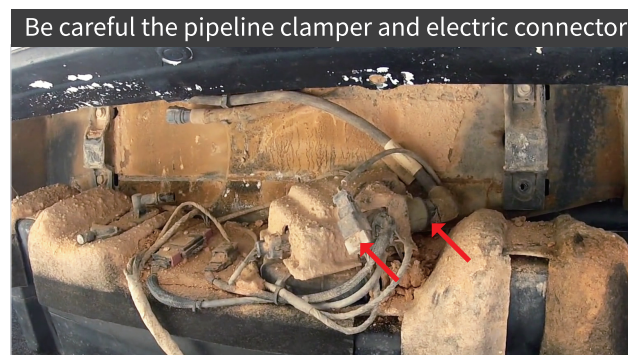
**03 STEP3 coupling with pedal**

1. With assistance lift and attach the step bar to brackets.
2. Secure step bar on brackets with (6) M10 hex bolts, (6) M10 flat washers, (6) M10 lock washers.
3. Tighten M8 hardware to 15 ft-lbs. torque.
4. Tighten M10 hardware to 31 ft-lbs. torque.



Support DEF tank by the floor jack, and loose the inner metal hanger (push the hanger up, then pull it out and down) to release DEF tank.

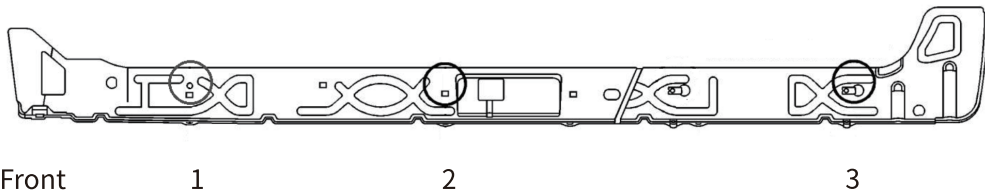
Remove the cover and be careful the pipeline clammer and electric connector on the front of DEF tank. Carefully lower the DEF tank.



**02** STEP2

**pre-installation**

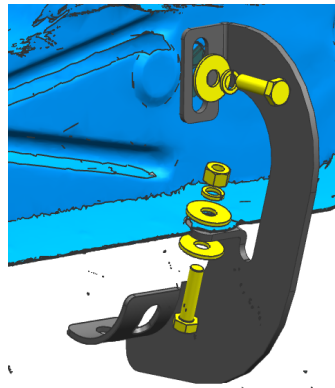
1. Locate (4) mounting positions on passenger side inner rocker panel.
2. Clean the sealant and dirt around mounting positions.
3. Remove the factory plastic plugs, clean the factory thread holes and weld nuts if equipped.
4. Insert the M8 clip nuts onto the #2, #3 holes on the inner rocker panel.  
(Insert clip nut onto the large hole and over the smaller hole next to it.)



**03** STEP3

**Pedal holders and car mounts**

1. Attach the bracket to position #3 and #4 on inner rocker panel.
2. Secure bracket to inner rocker panel with (1) M8 hex bolt, (1) M8 flat washer, (1) M8 lock washer.
3. Secure bracket to pinch weld with (1) M8 hex bolt, (2) M8 flat washers, (1) M8 lock washer, (1) M8 hex nut.
4. Repeat to install all brackets.



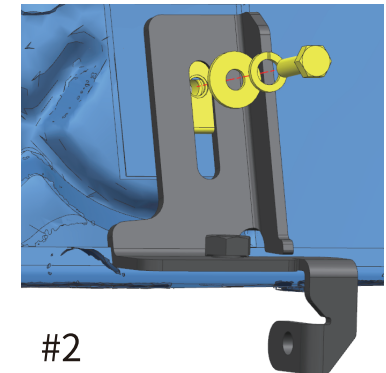
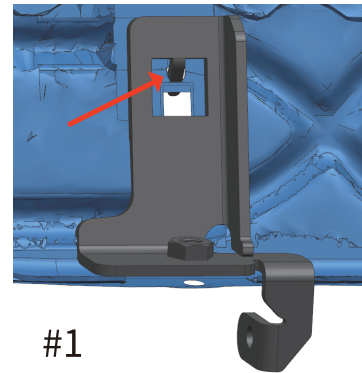
**Note:**

Use the factory nut directly, if your vehicle equipped factory weld nut on pinch weld.

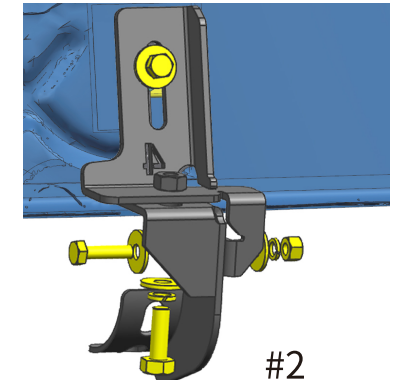
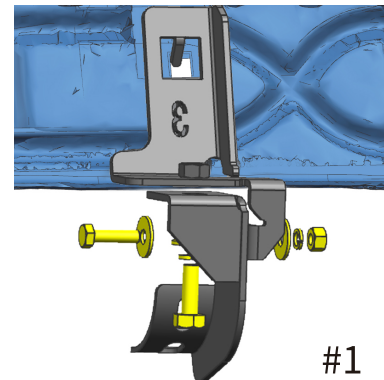
**04** STEP4

**Brackets and car mounts**

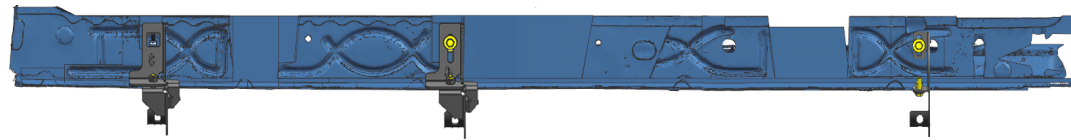
1. Position the upper bracket #1 to the position #1 on the inner rocker panel and engage the hook to the hole.
2. Position the upper bracket #2 to the position #2 on the inner rocker panel and secure with (1) M8 hex bolt, (1) M8 lock washer, (1) M8 flat washer.



3. Attach the lower brackets to the position #1 and #2.
4. Secure lower bracket to pinch weld with (1) M10 hex bolt, (1) M10 lock washer, (1) M10 flat washer.
5. Secure lower bracket to upper bracket with (1) M8 hex bolt, (2) M8 flat washers, (1) M8 lock washer, (1) M8 hex nut.



Loading components



Front

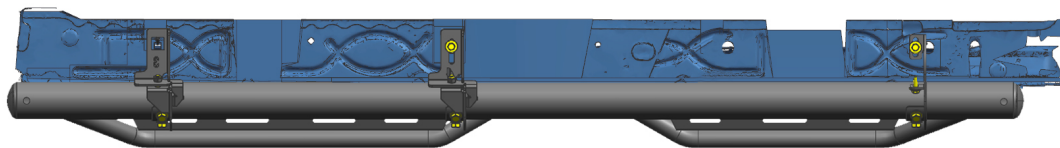
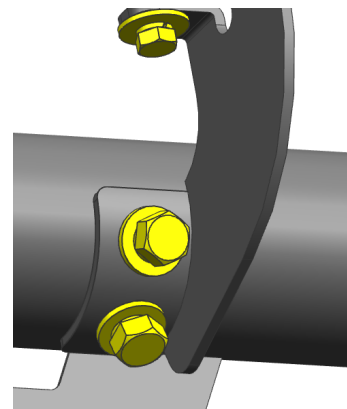


Passenger Right Side

**05** STEP5

**Bracket and pedal connection**

1. With assistance lift and attach the step bar to brackets.
2. Secure step bar on brackets with (8) M10 hex bolts, (16) M10 flat washers, (8) M10 lock washers, (8) M10 hex nuts.
3. Tighten M8 hardware to 15 ft-lbs. torque.
4. Tighten M10 hardware to 31 ft-lbs. torque.



Front



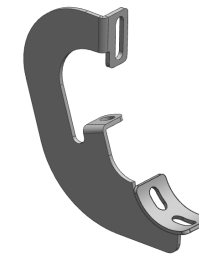
Passenger Right Side

**06** STEP6

**Diesel engine vehicle ONLY**

1. Reinstall the DEF tank and cover.

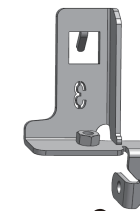
	Qty.	Description
A	× 4	Driver Side & Passenger Side Rear
B	× 2	Passenger Side Front/Center Bracket
C	× 1	Passenger Side Front
D	× 1	Passenger Side Center
[1]	× 14	M10× 30 Hexagon Bolt
[2]	× 11	M8× 25 Hexagon Bolt
[3]	× 14	M10× 25 Flat Washer
[4]	× 17	M8× 24 Flat Washer
[5]	× 14	M10 Lock Washer
[6]	× 11	M8 Lock Washer
[7]	× 6	M8 Hexagon Nut
[8]	× 5	M8 Clip Nut



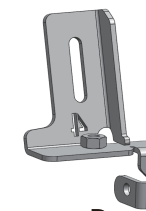
A



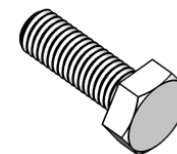
B



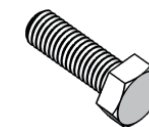
C



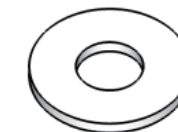
D



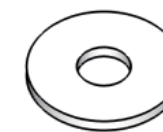
[1]



[2]

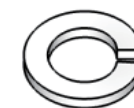


[3]



[4]

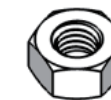
Color-Zinc Plated



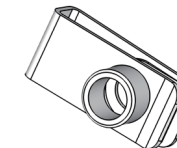
[5]



[6]



[7]



[8]

**07** STEP7

**Tools Required**

13mm, 16mm Socket .
13mm,16mm Wrench
Ratchet
Torque Wrench