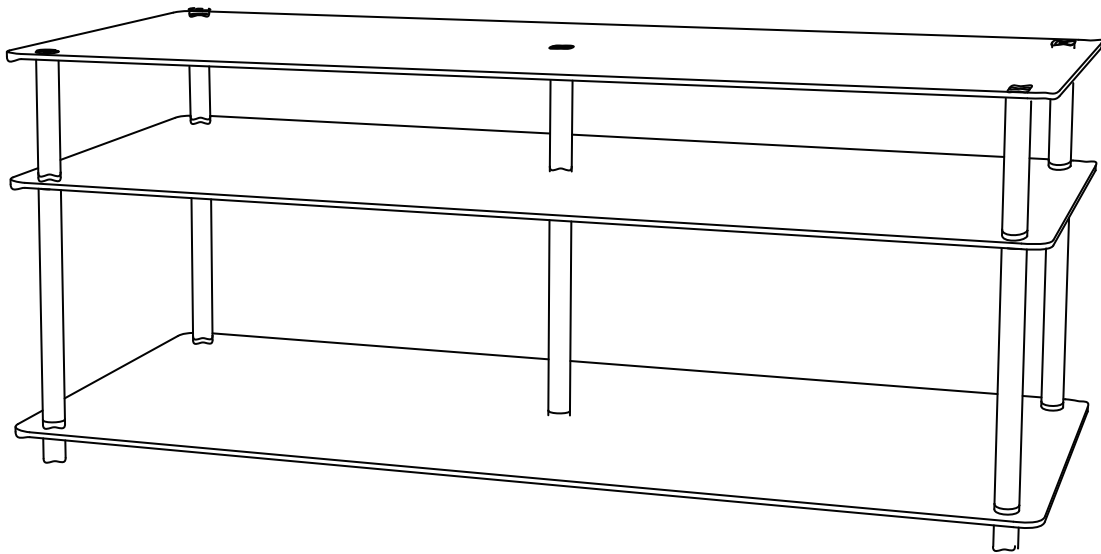


# GLASS COFFEE TABLE



## ASSEMBLY INSTRUCTIONS

---

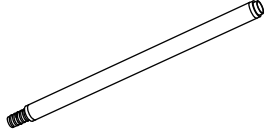
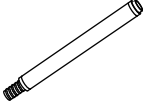





We have designed our furniture with you , the customer in mind . Our clear , easy to follow , step by step instructions will guide you through the project from start to finish . Feel confident that this will be a fun and rewarding project . The final product will be a quality piece of furniture that will go together smoothly and give years of enjoyment .

---

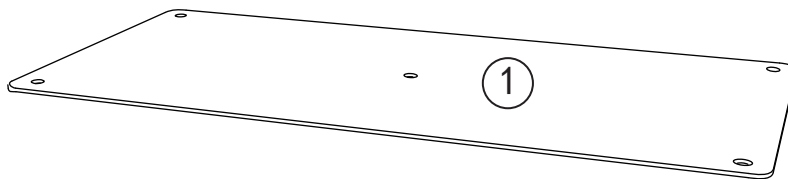
### CAUTION

Use **ONLY** as directed.  
Product warranty is voided  
by altering product.

## Hardware List

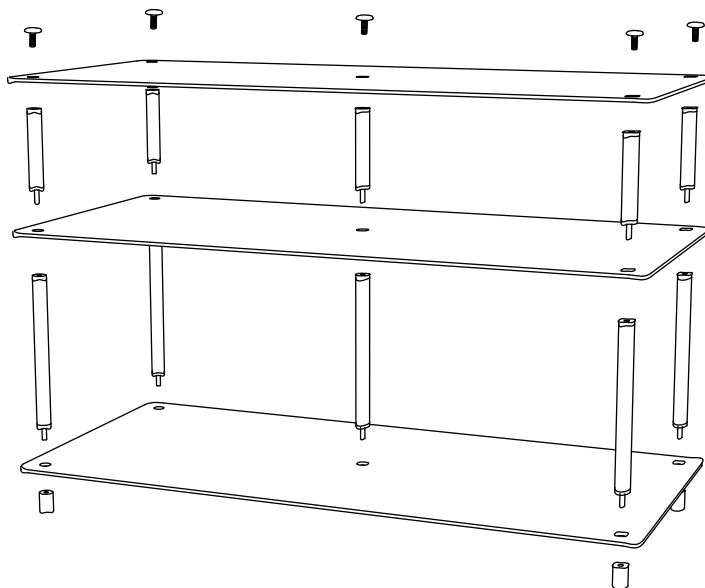
<b>A</b>	<b>B</b>	<b>C</b>	<b>D</b>
			
Long pole ( 5pcs )	short pole ( 5pcs )	Foot ( 5pcs )	Cap ( 5pcs )
<b>E</b>	<b>F</b>	<b>G</b>	
			
Expansion Pipe ( 2pcs )	Eyelet Screw ( 2pcs )	Cable Tie ( 2pcs )	

## Panel List



Glass Panel ( 3pcs )

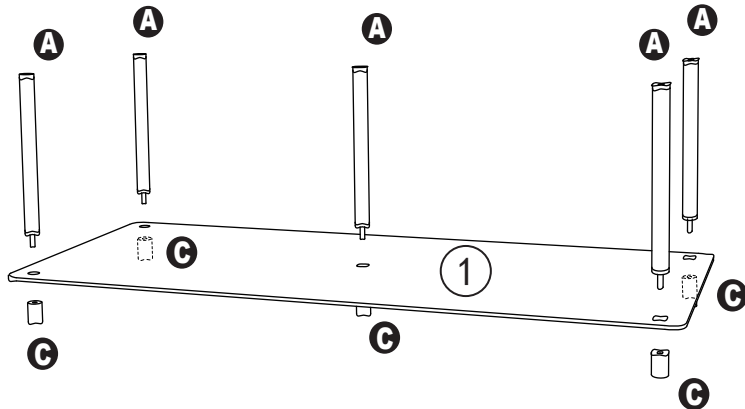
## Exploded Views



## Step 1

1. Place Glass panel ① on Foot **C** .

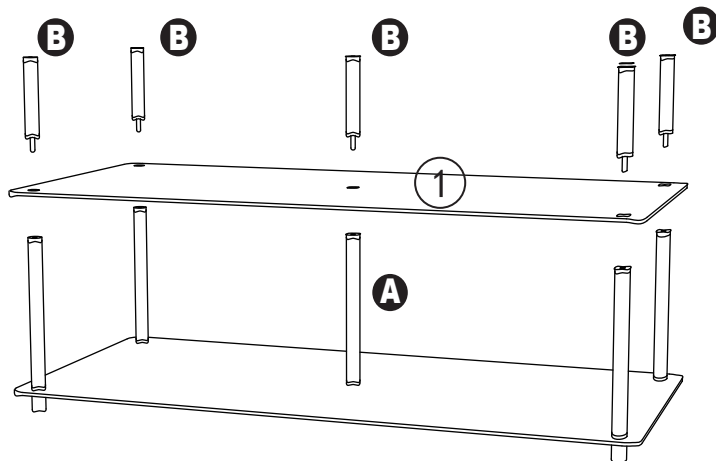
2. Insert Long Pole **A** into feet as shown.



## Step 2

1. Place Glass panel ① on Long Pole **A** .

2. Insert Short Pole **B** into Long Pole **A** as shown.



## Step 3

1. Place Glass panel ① on Short Pole **B** .

2. Insert Cap **D** into Short Pole **B** as shown.

3. Drill hole slightly smaller than anchor **E** into drywall and gently tap anchor into hole.

4. Insert eyelet screw **F** into anchor and fasten unit to wall using cable tie.

5. Finish and enjoy!

