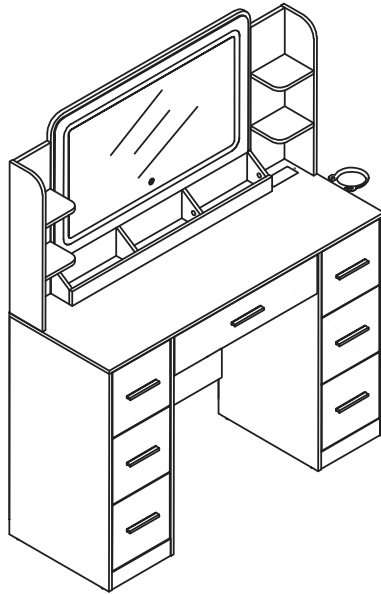
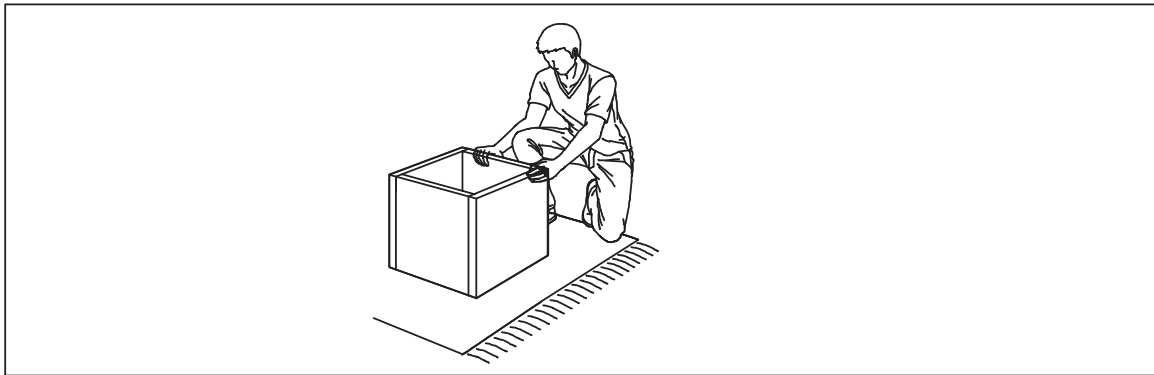


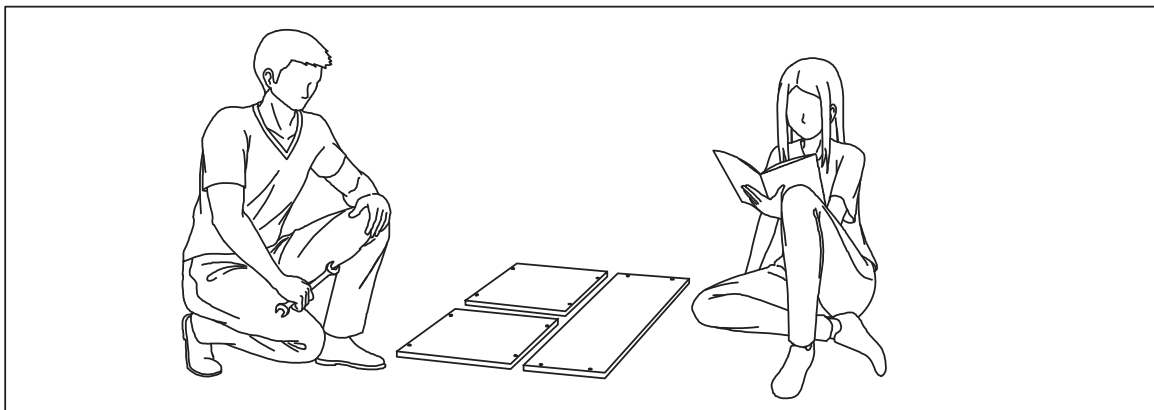
WARNING!



MAXIUM LOAD
220lb/100kg



Assembly the furniture on empty carton, carpet, or rug to prevent scratches or damage.

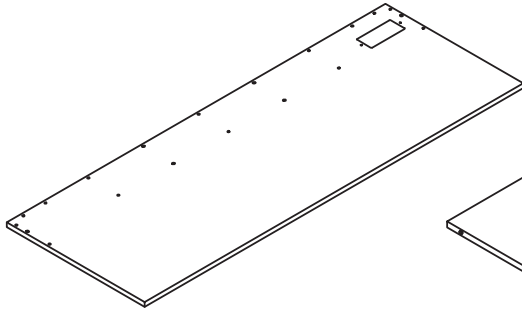


This furniture requires 2 people to assembly.
Make sure no parts are missing or damaged before assembly.

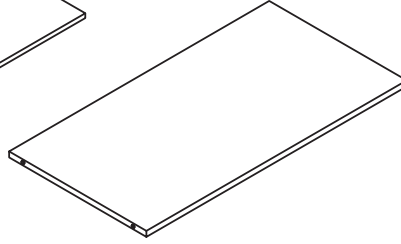


BOARD IDENTIFICATION

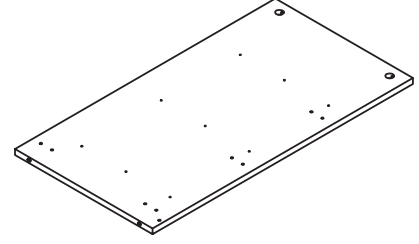
Not actual size



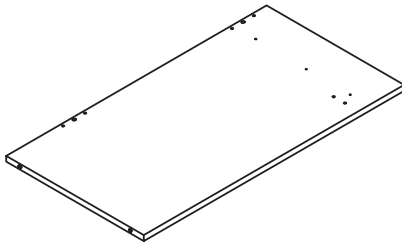
① X1



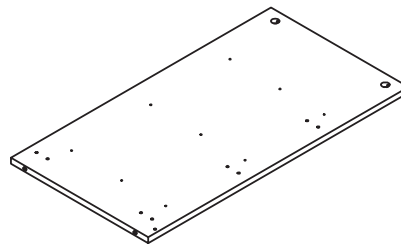
② X1



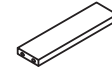
③ X1



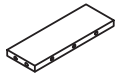
④ X1



⑤ X1



⑥ X4



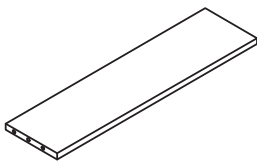
⑦ X2



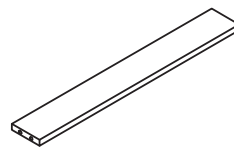
⑧ X2



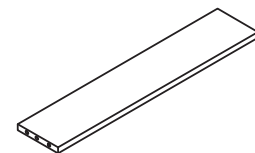
⑨ X2



⑩ X1

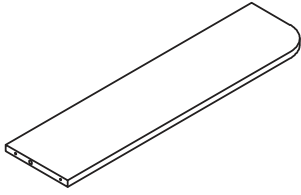


⑪ X1

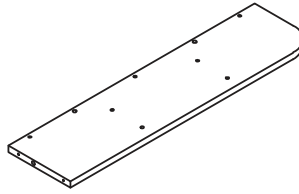


⑫ X1

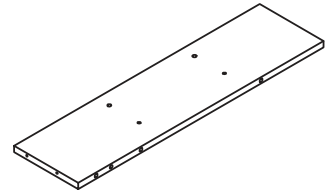
Not actual size



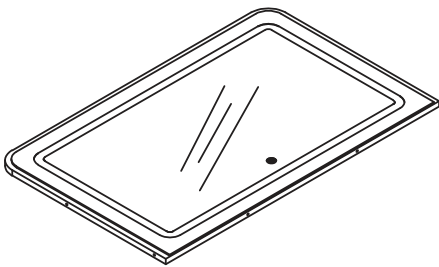
⑬ X1



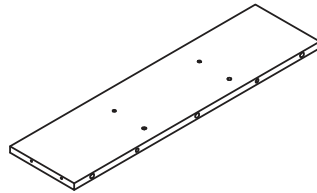
⑭ X1



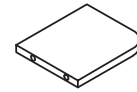
⑮ X1



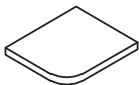
⑯ X1



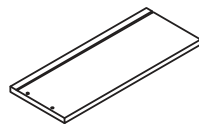
⑰ X1



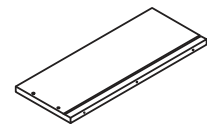
⑱ X2



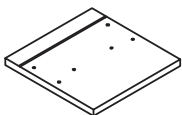
⑲ X2



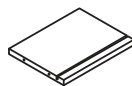
⑳ X6



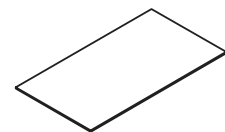
㉑ X6



㉒ X6



㉓ X6

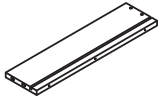


㉔ X6

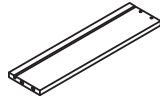


BOARD IDENTIFICATION

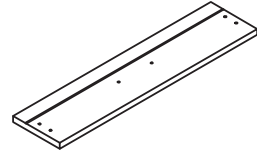
Not actual size



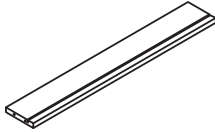
②⑤X1



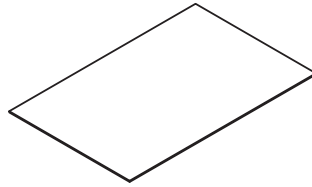
②⑥X1



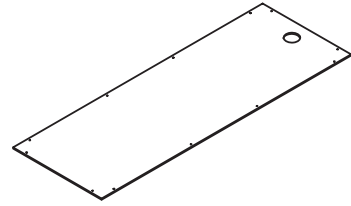
②⑦X1



②⑧X1



②⑨X1



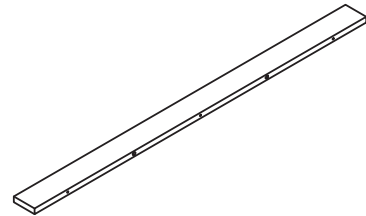
③⑩X2



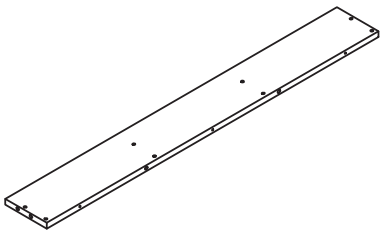
③①X2



③②X2

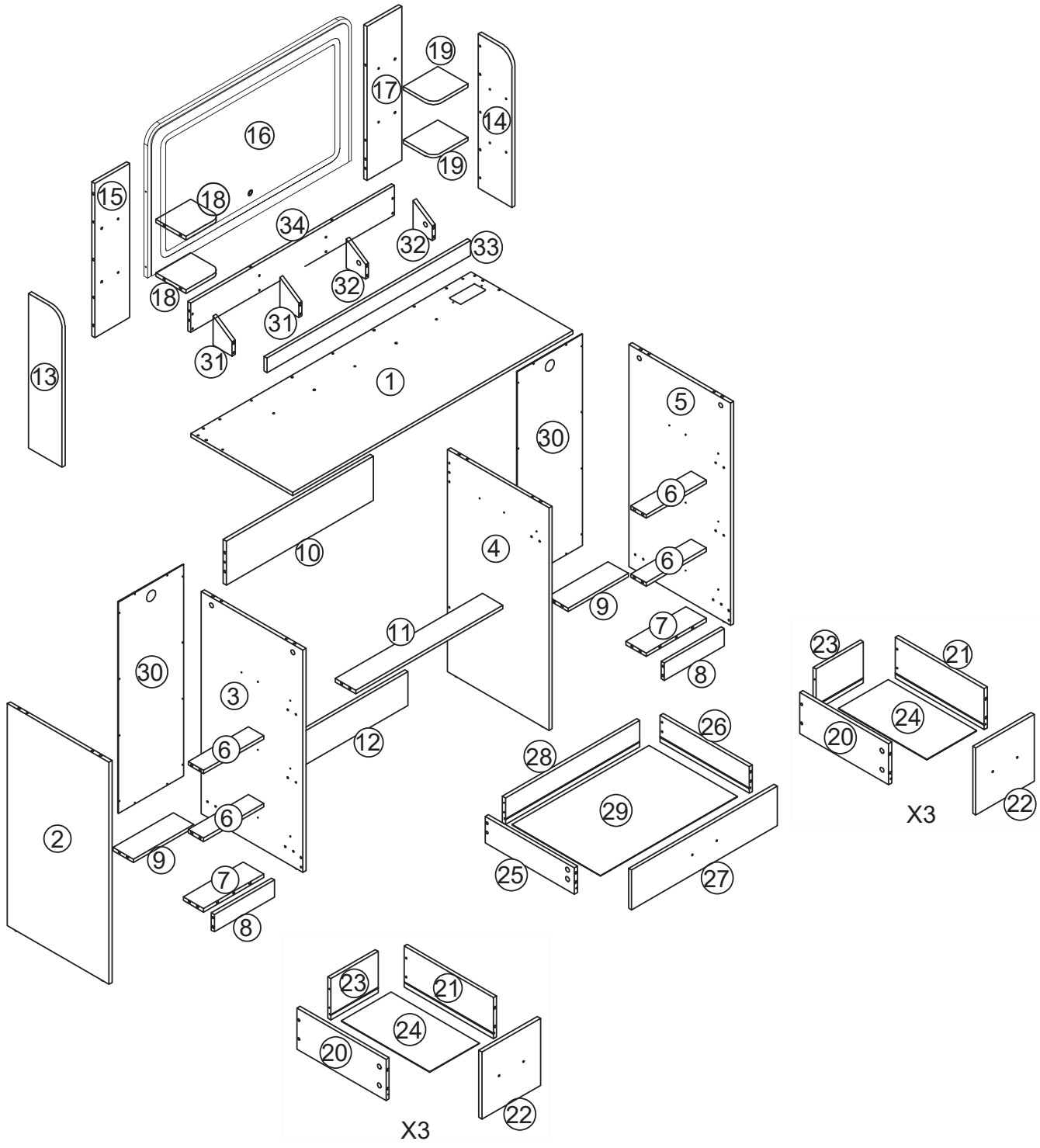


③③X1



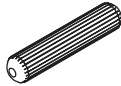
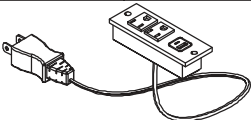


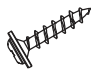
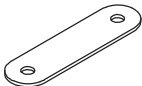
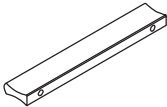

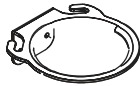



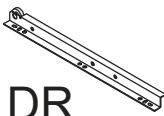
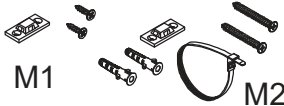
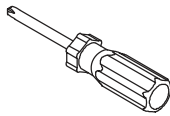
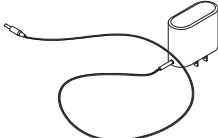


③④X1

PACKAGE CONTENT

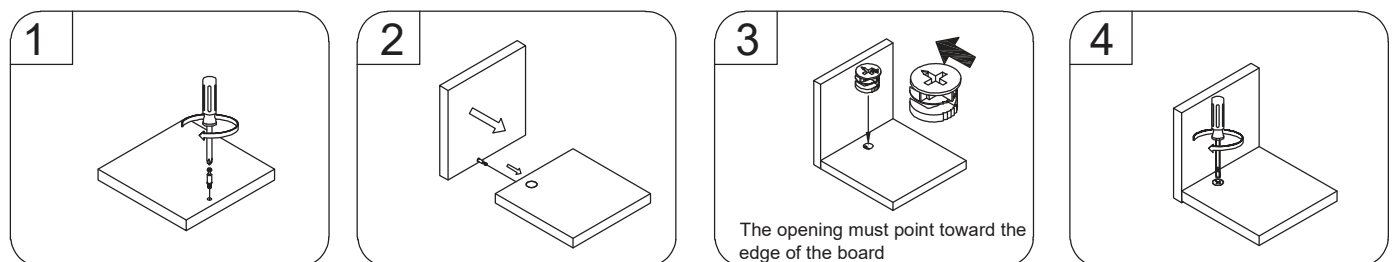


HARDWARE PART LIST

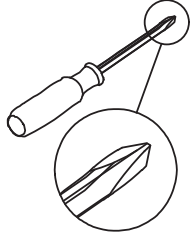
A	X108+4	B	X108+4	C	X44+2	D	X1
							
Ø6x34		Ø15x9.5		Ø6x30			
E	X104+4	F	X50+2	G	X26+2	H	X9
							
Ø3.5x12		Ø4x35		Ø3.5x14		45x15x1	
I	X7	J	X14	K	X1		
							
Ø106x16x8		5/32"x16		109x99*38,5			
L	X7						
							
CL		CR		DL		DR	
L=350							
M	X1SET	N	X1	O	X1		
							
M1		M2					


Cam Lock Fastening System


Insert the cam bolt into the hole first, then insert the cam lock and lock it.




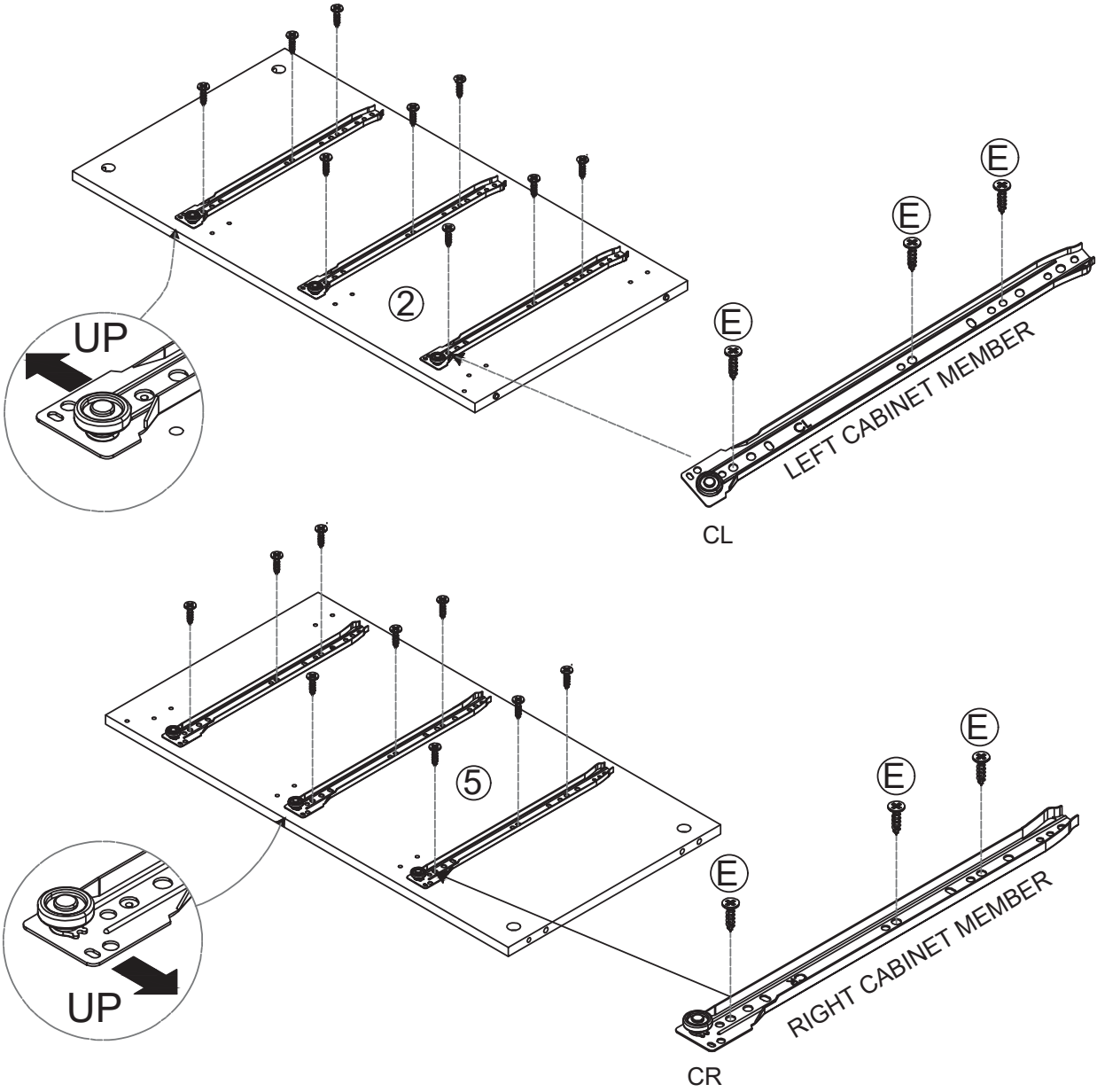
STEP 1



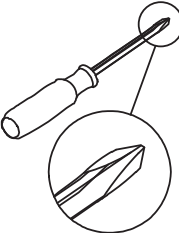
(E)	X18
	
Ø3.5x12	


(L)	X3
	
CL L=350	

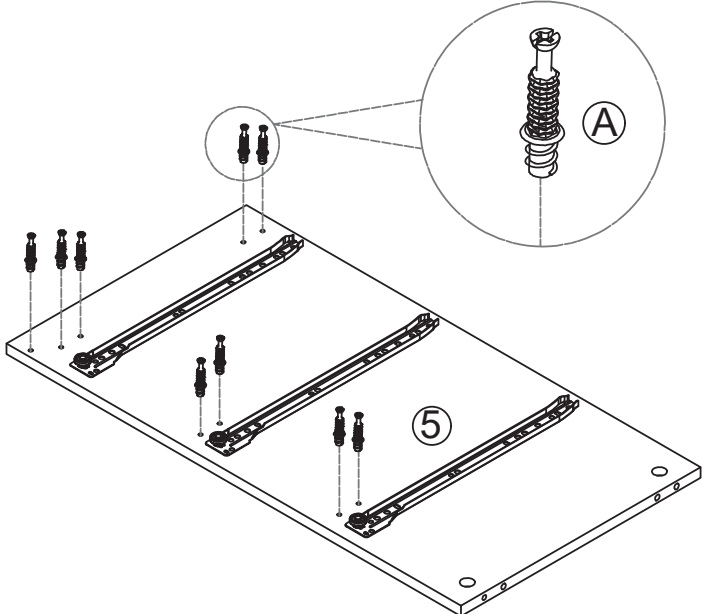
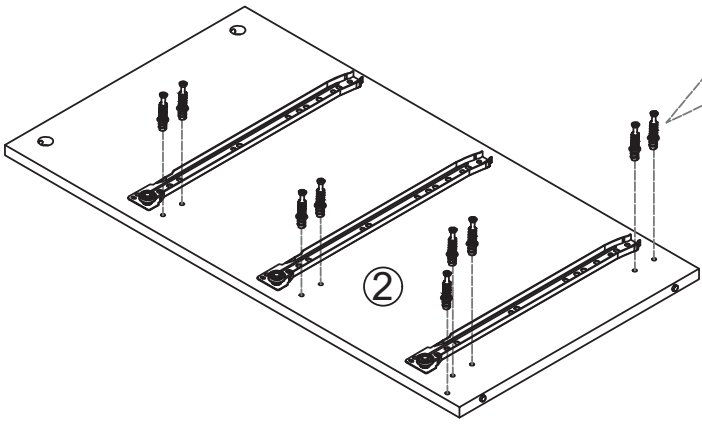
(L)	X3
	
CR L=350	



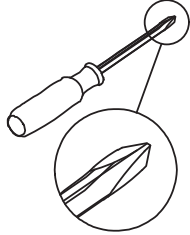
STEP 2




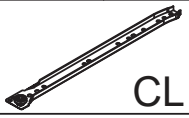
(A)	X18
	
Ø6x34	

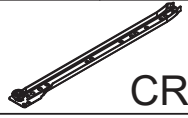


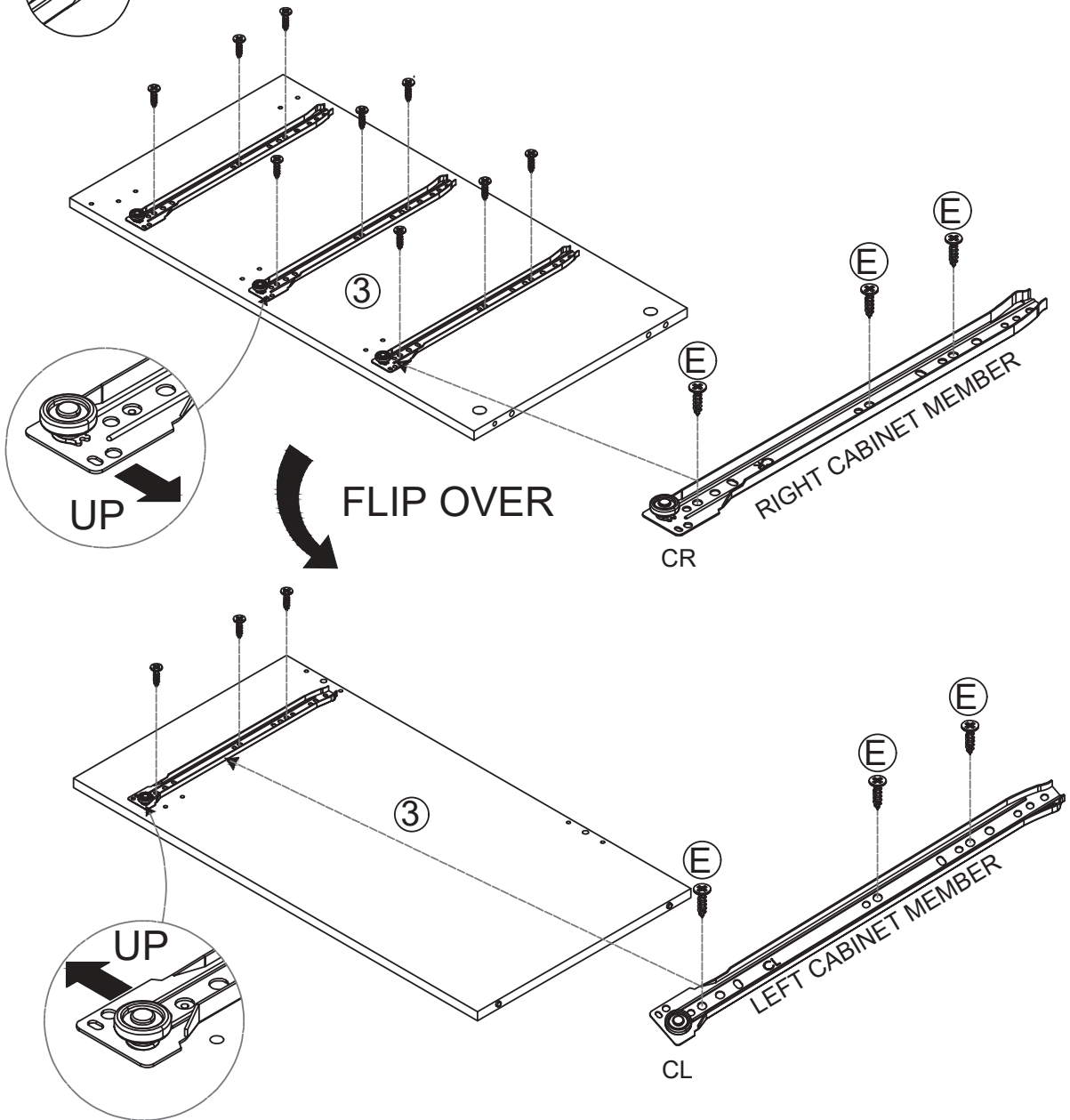
STEP 3




(E)	X12
	
Ø3.5x12	

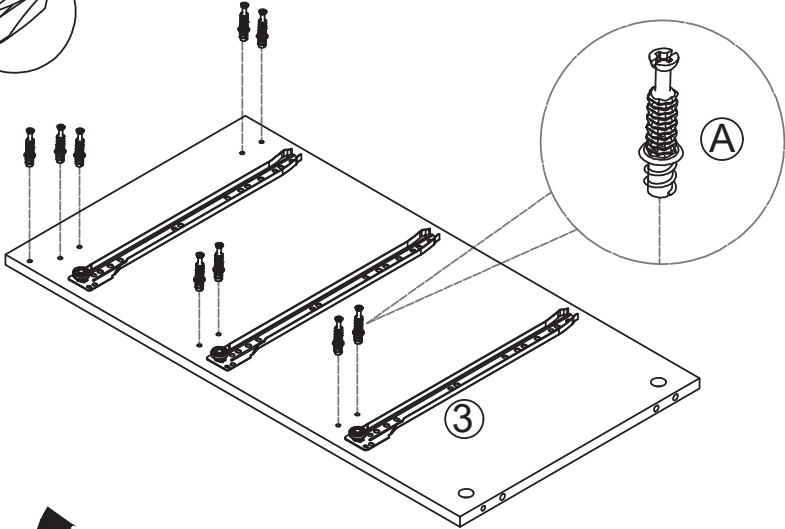
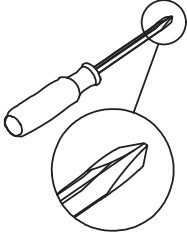
(L)	X1
	
CL L=350	

(L)	X3
	
CR L=350	

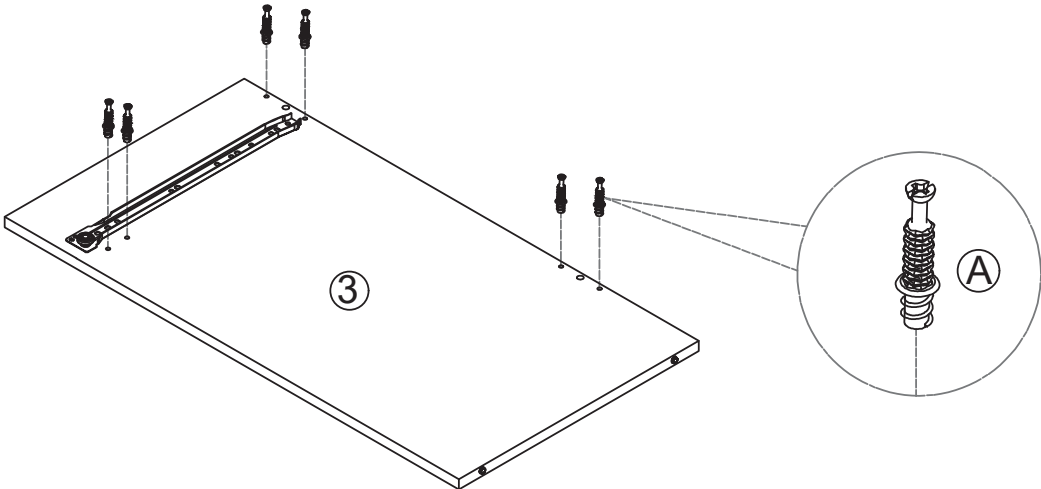


STEP 4

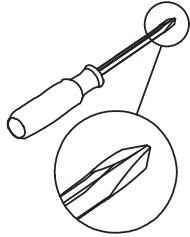
(A)	X15
	
Ø6x34	





 FLIP OVER




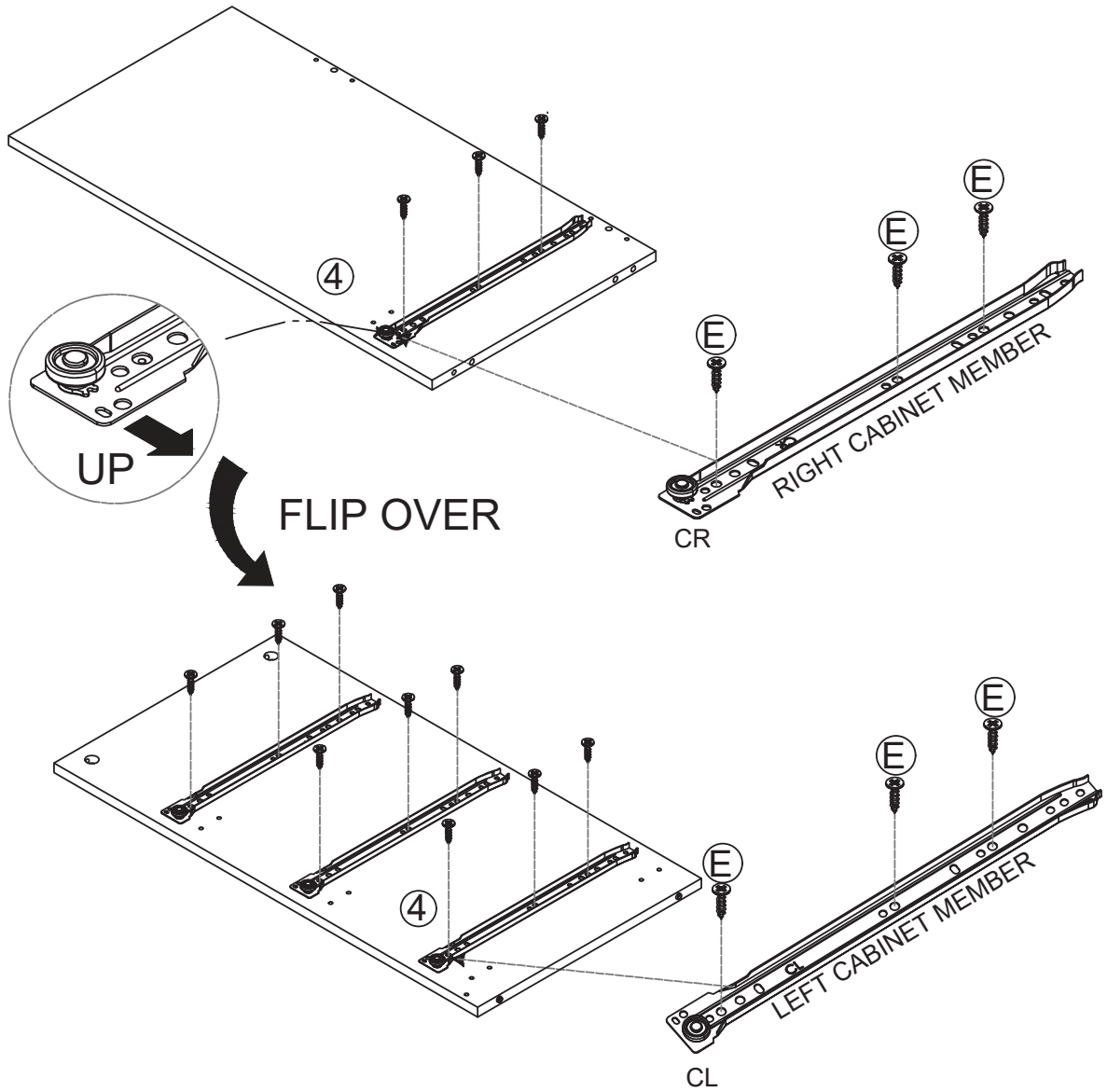
STEP 5




(E)	X12
	
Ø3.5x12	

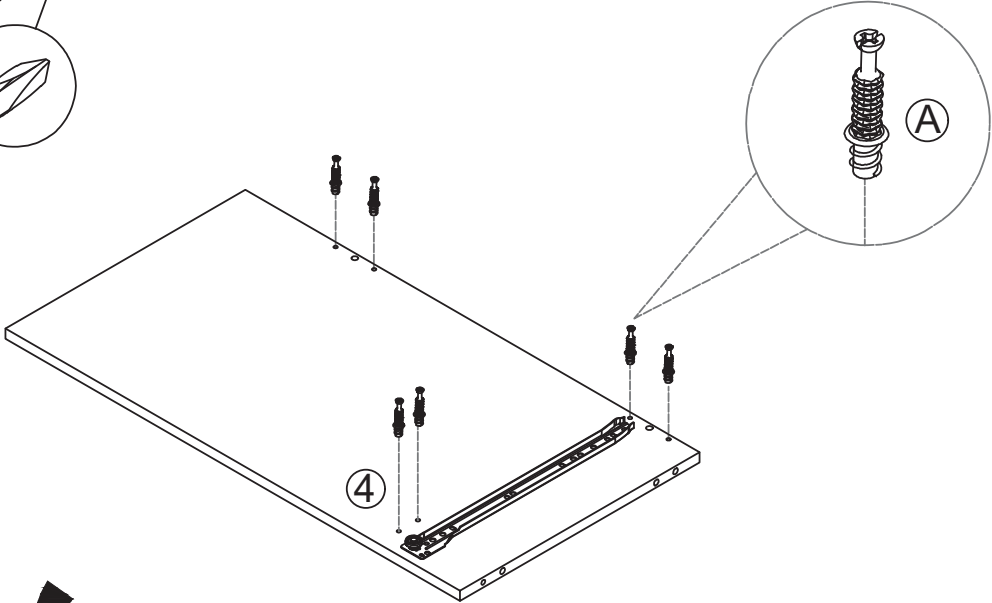
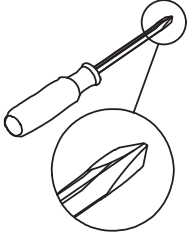
(L)	X3
	
CL L=350	

(L)	X1
	
CR L=350	

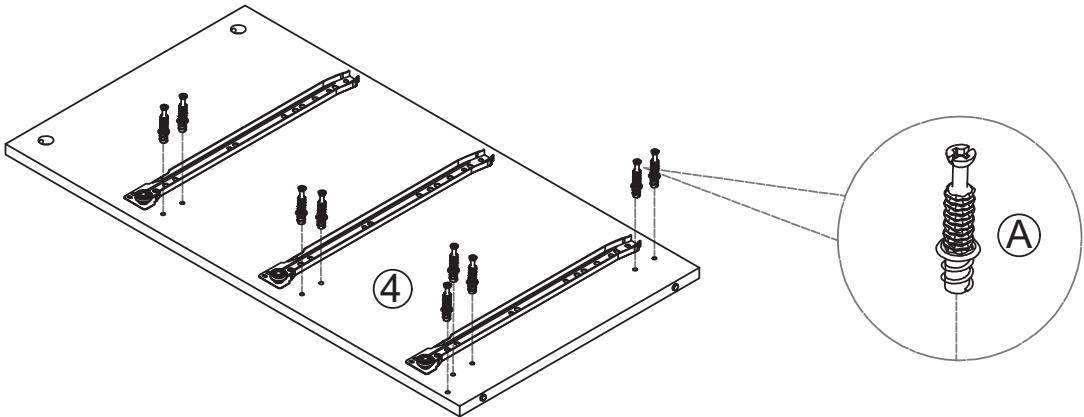


STEP 6


(A)	X15
	
Ø6x34	





 FLIP OVER

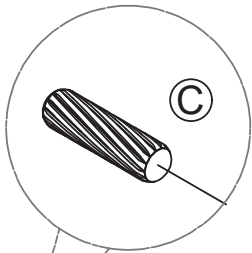
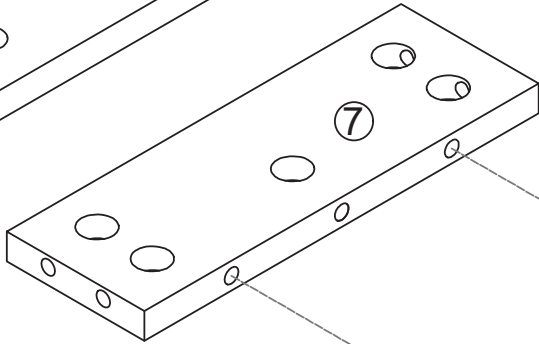
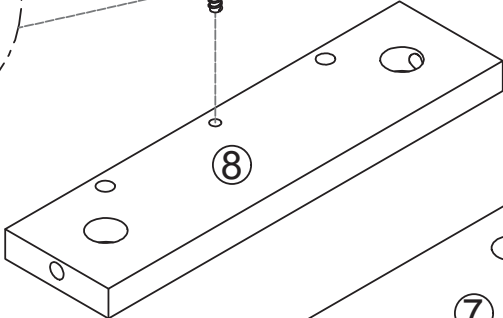
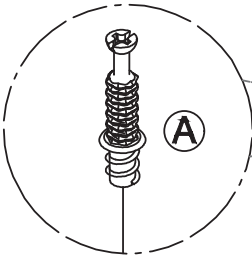
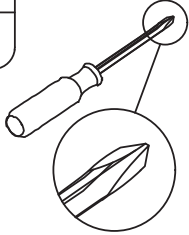


STEP 7

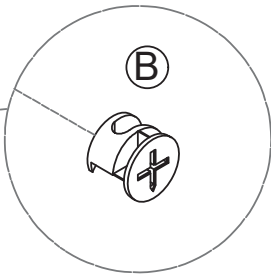
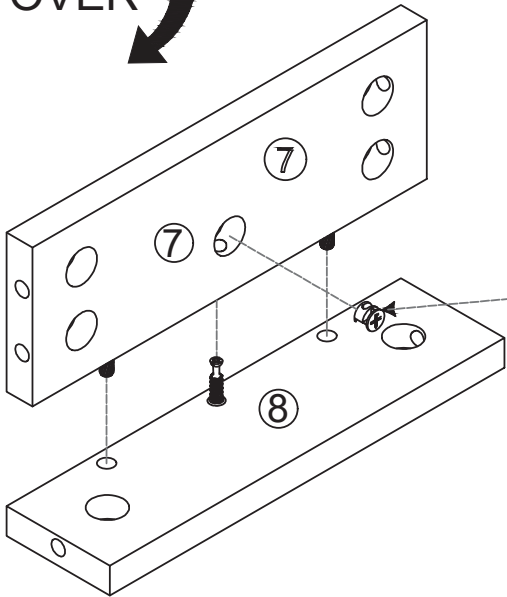
(A)	X2
	
Ø6x34	

(B)	X2
	
Ø15x9.5	

(C)	X4
	
Ø6x30	

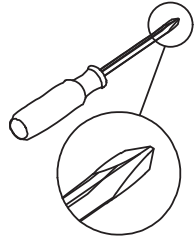



FLIP OVER

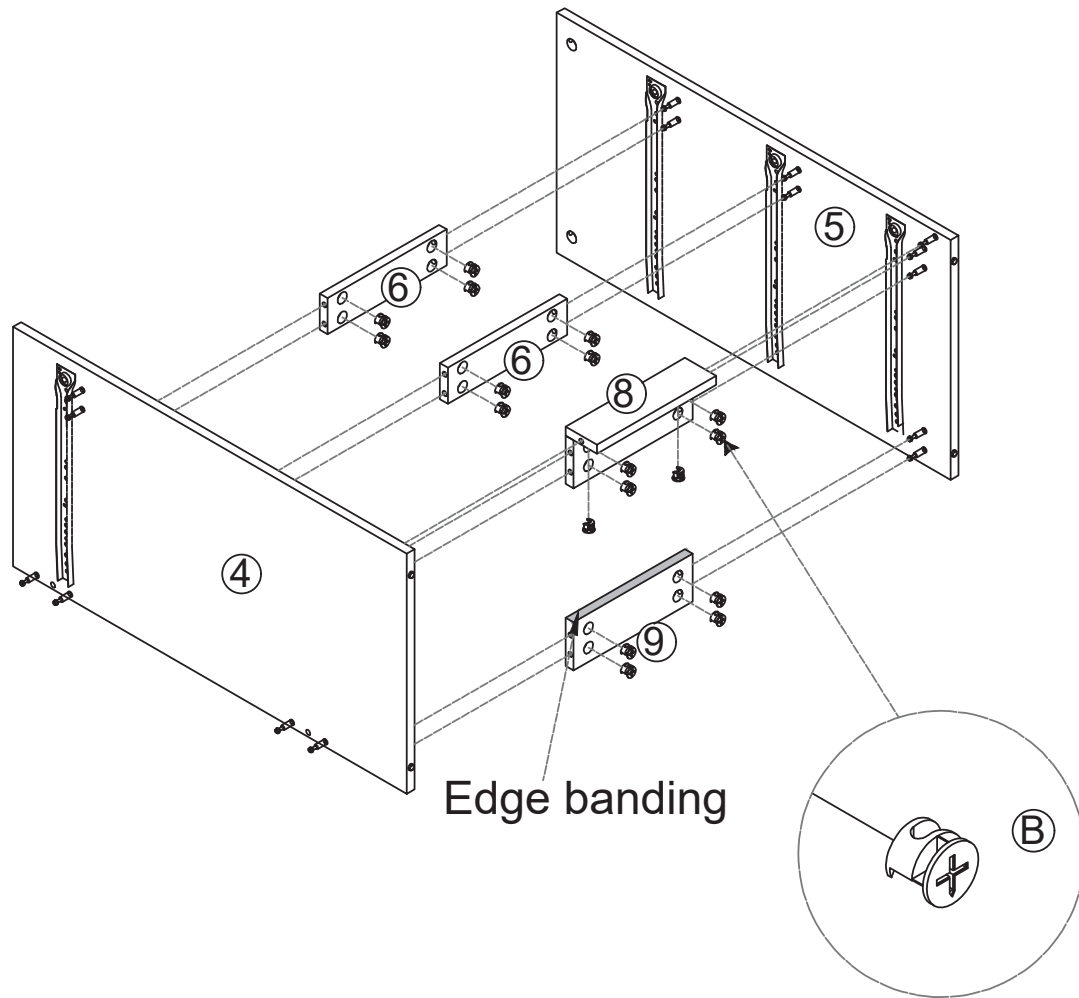


X2

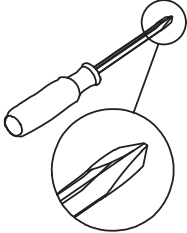
STEP 8




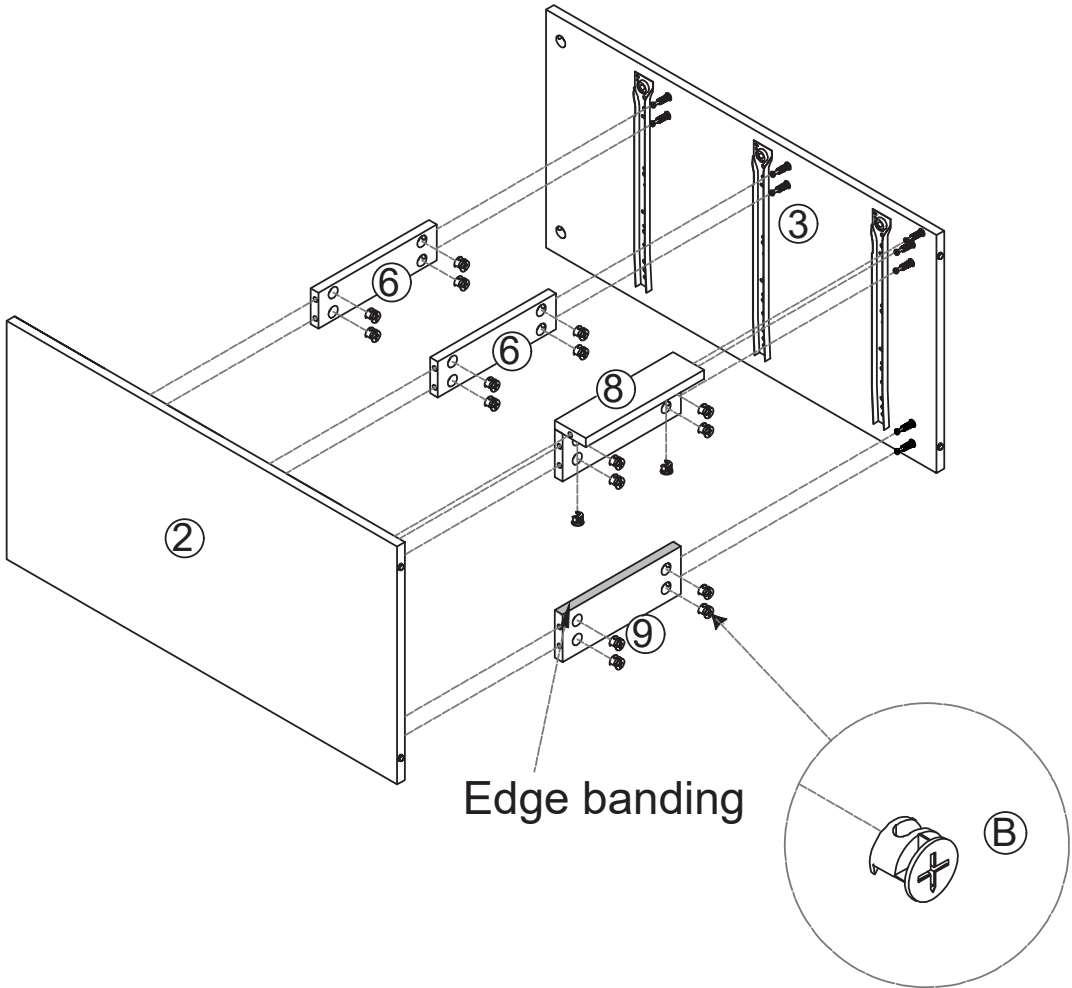
(B)	X18
	
Ø15x9.5	




STEP 9




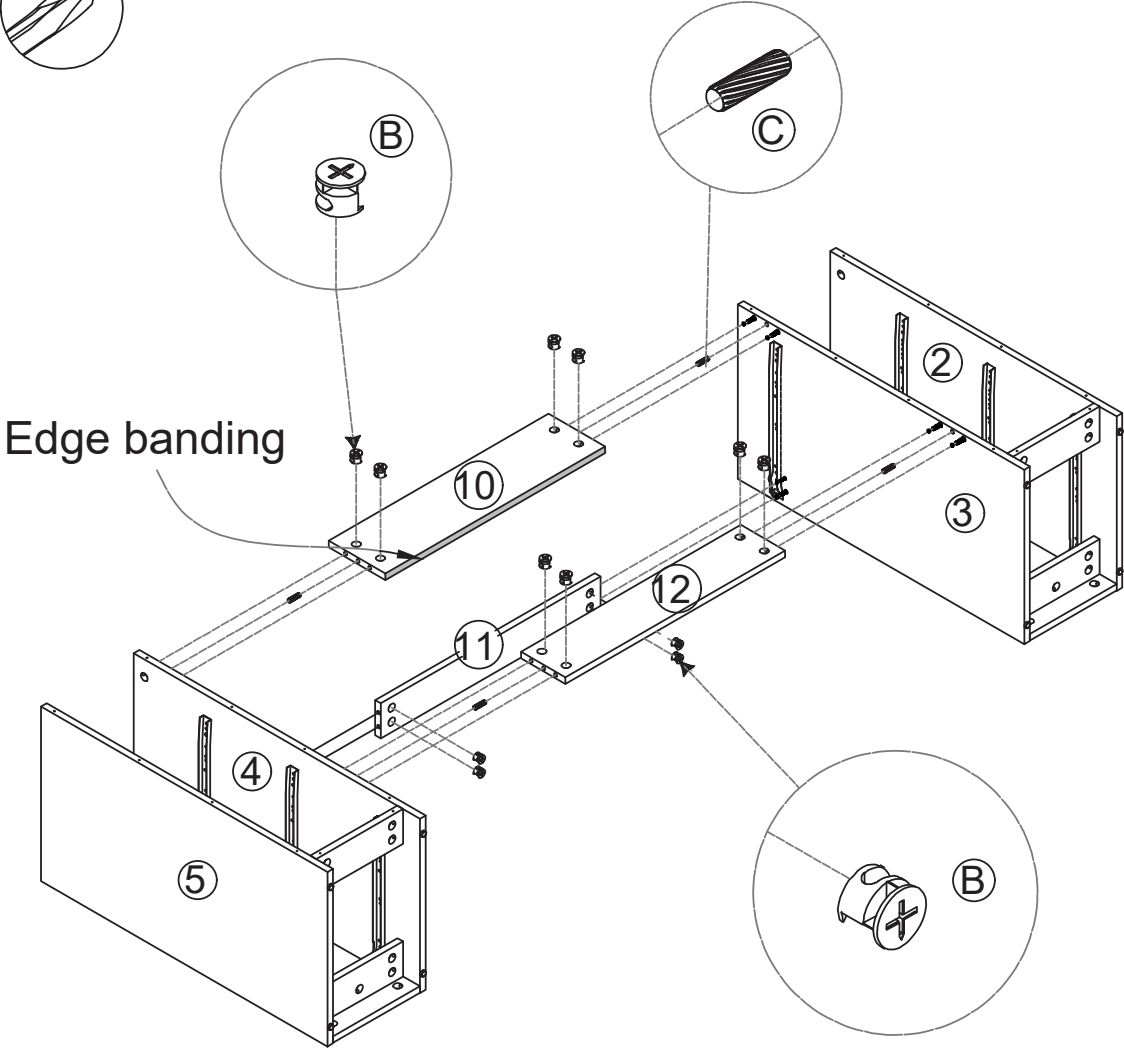
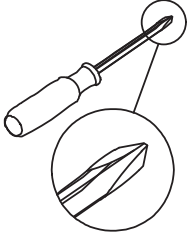
(B)	X18
	
Ø15x9.5	




STEP 10


(B)	X12
	
Ø15x9.5	


(C)	X4
	
Ø6X30	

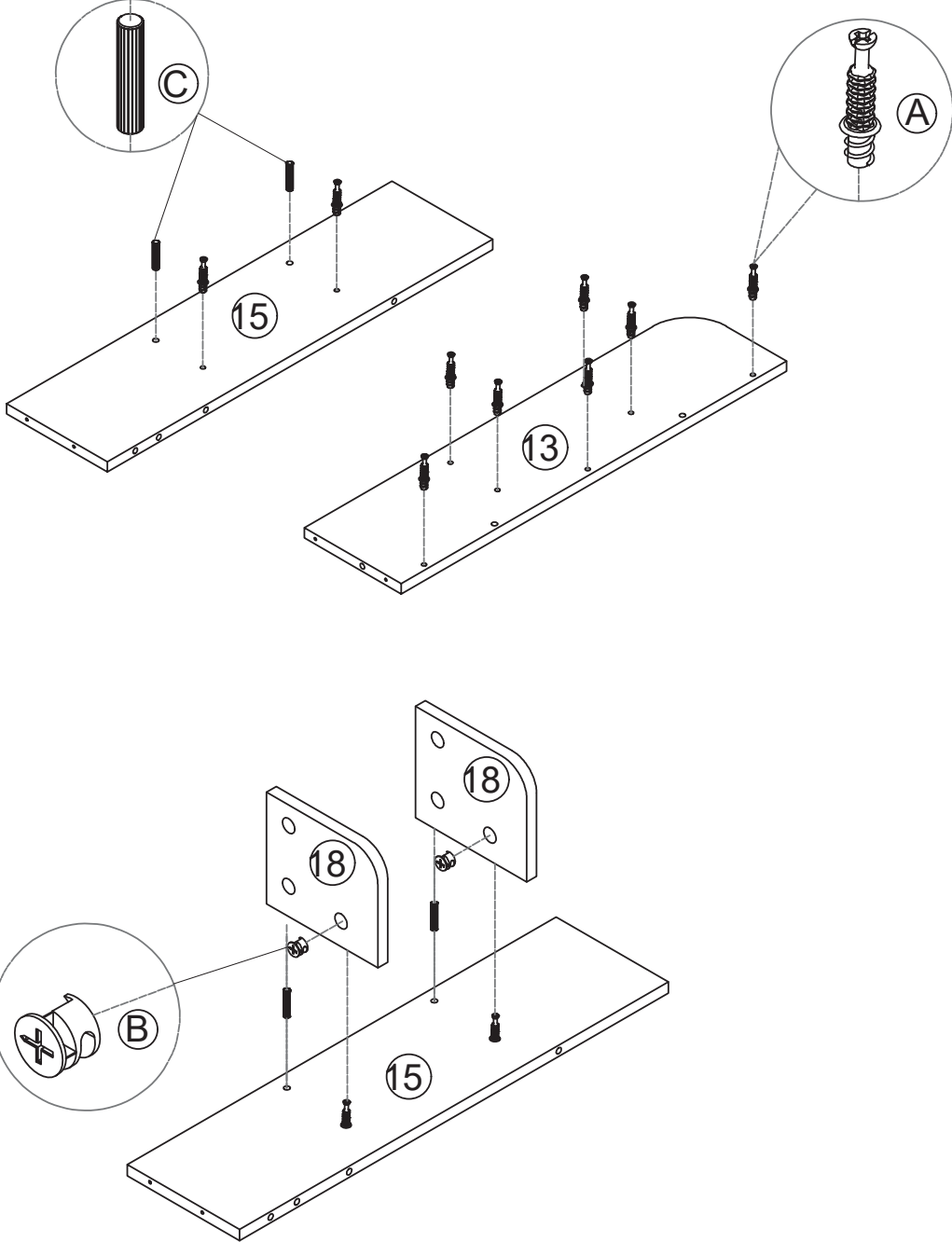
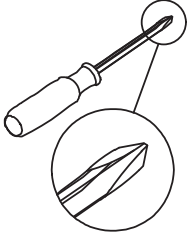


STEP 11


(A)	X9
	
Ø6x34	


(B)	X2
	
Ø15x9.5	

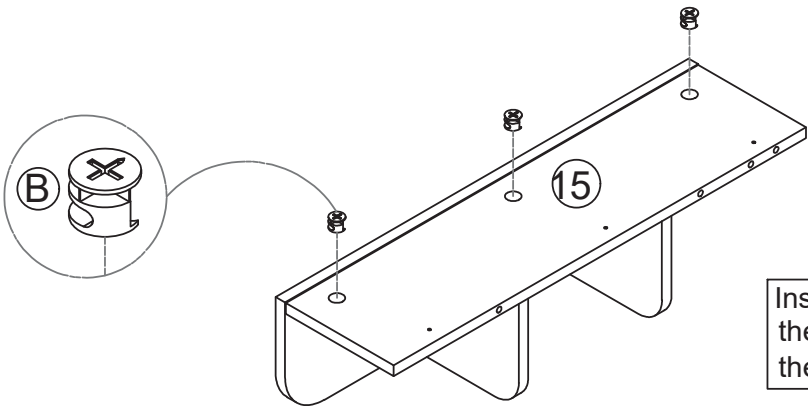
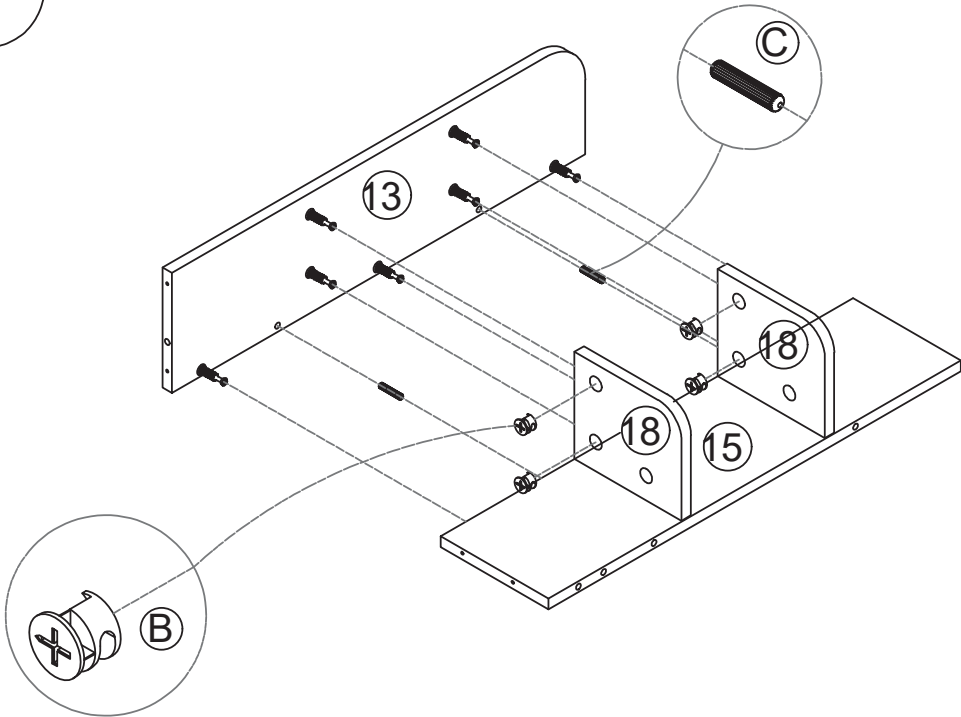
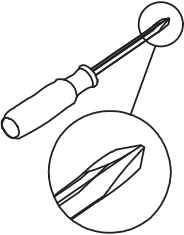
(C)	X2
	
Ø6X30	



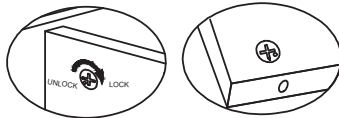
STEP 12

(B)	X7
	
Ø15x9.5	

(C)	X2
	
Ø6X30	





Insert the cam bolt into the hole first, then insert the cam lock and lock it.




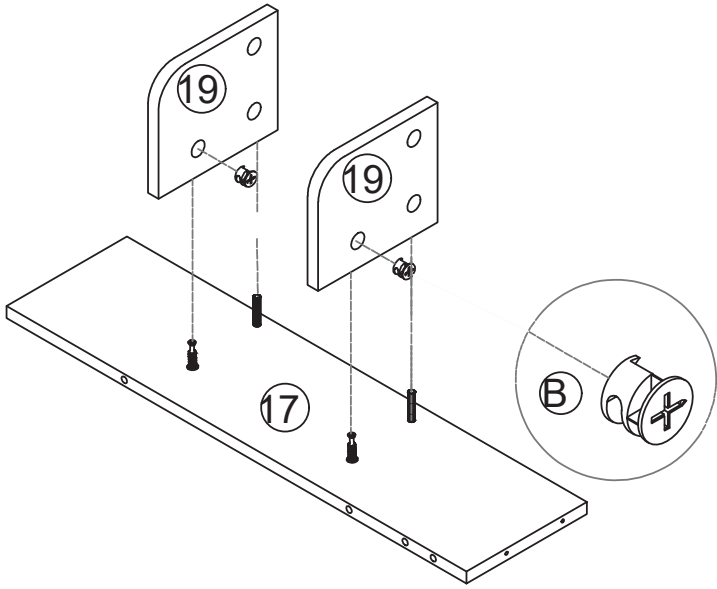
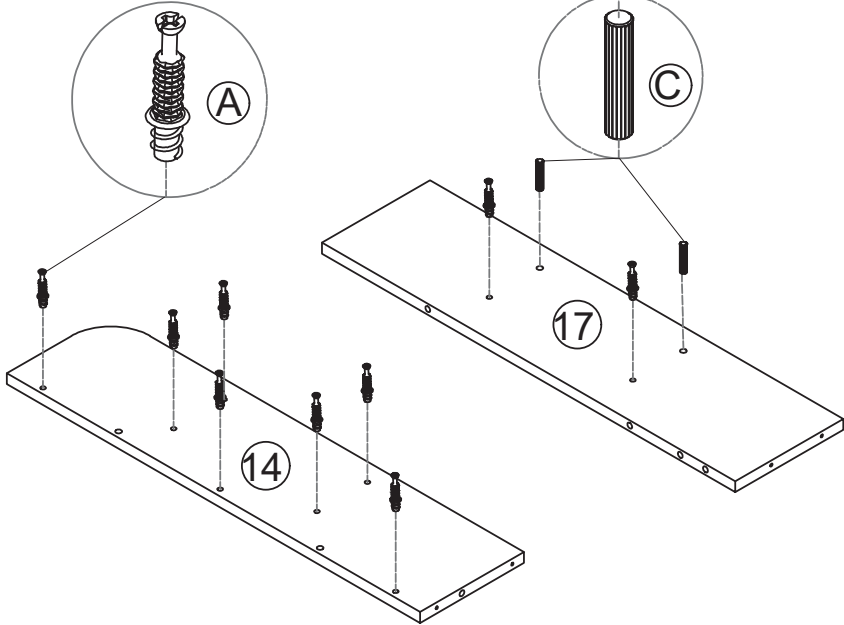
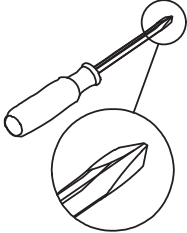
Proper orientation of CAM LOCK

STEP 13


(A)	X9
	
Ø6x34	


(B)	X2
	
Ø15x9.5	

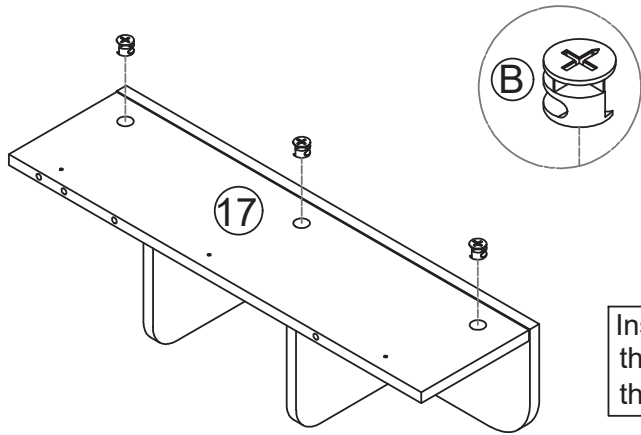
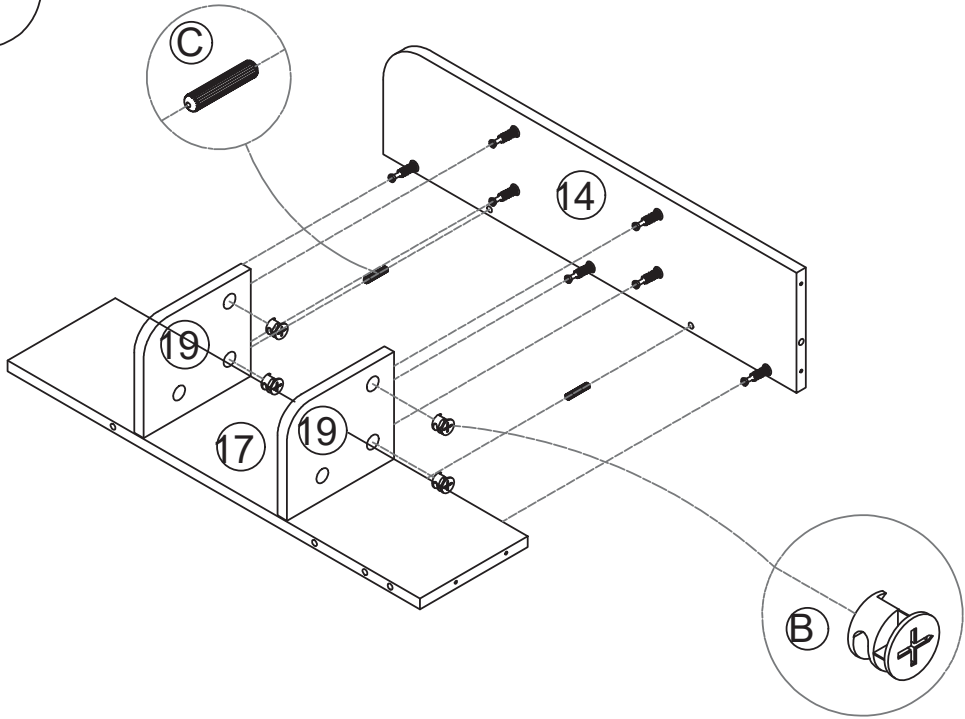
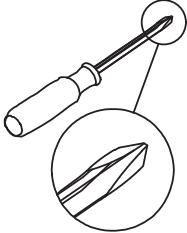
(C)	X2
	
Ø6X30	



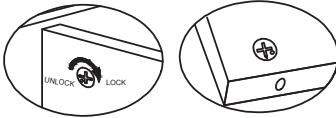
STEP 14

(B)	X7
	
$\text{Ø}15 \times 9.5$	

(C)	X2
	
$\text{Ø}6 \times 30$	

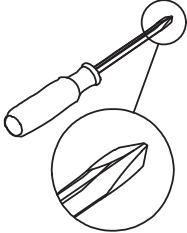



Insert the cam bolt into the hole first, then insert the cam lock and lock it.





Proper orientation of CAM LOCK

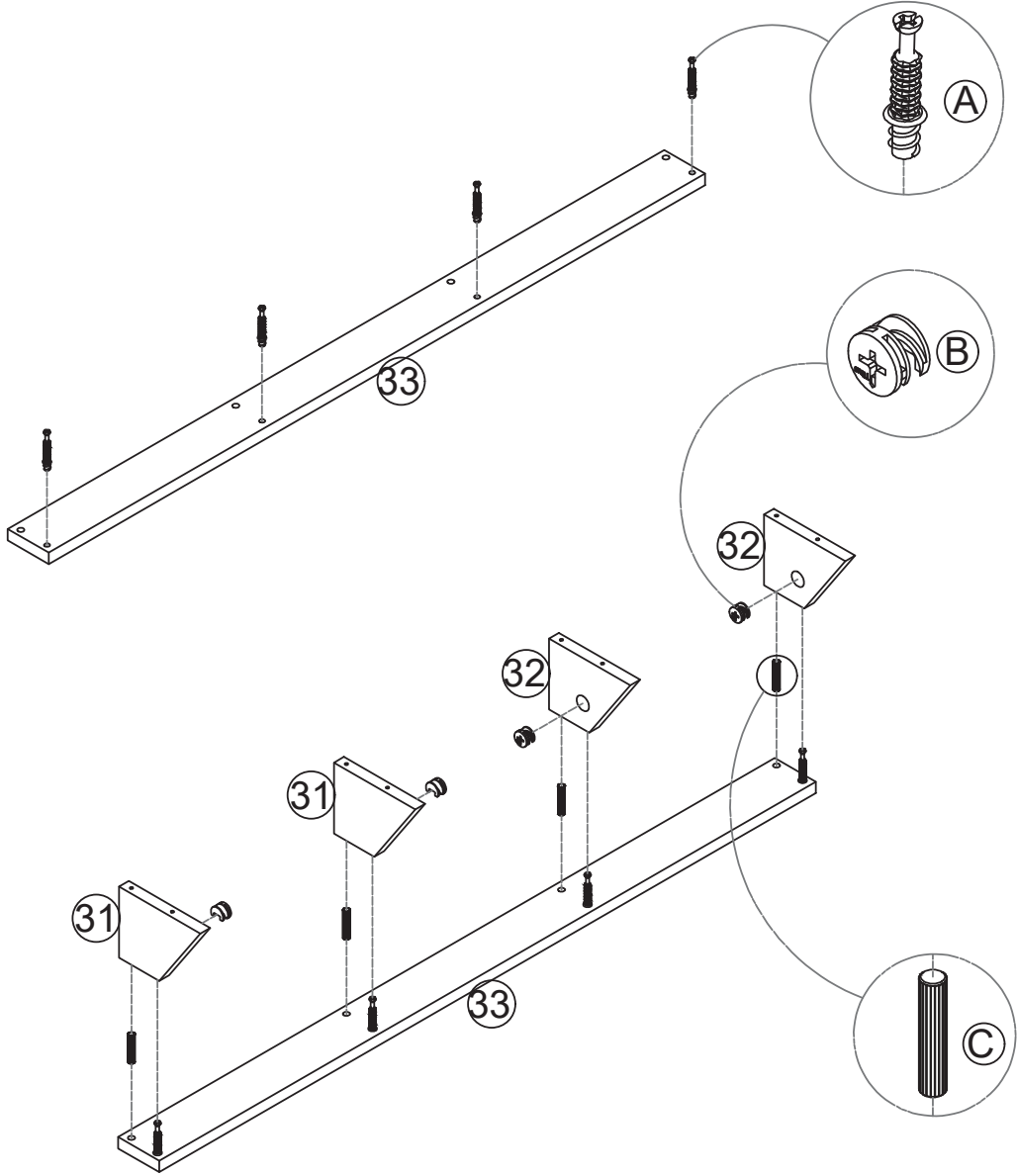
STEP 15




(A)	X4
	
Ø6x34	


(B)	X4
	
Ø15x9.5	

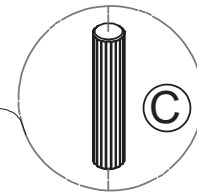
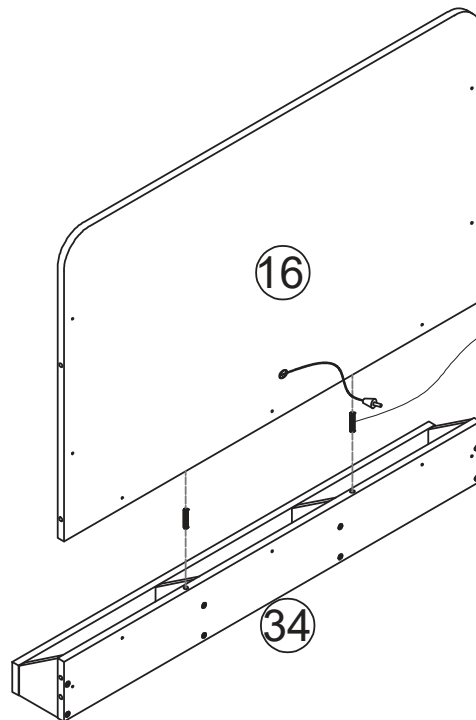
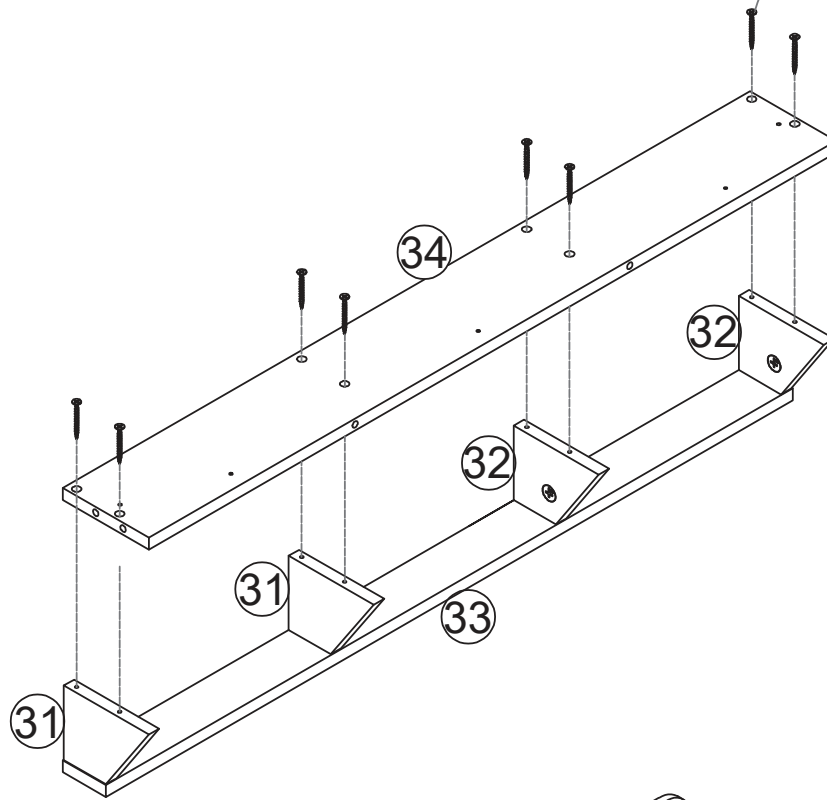
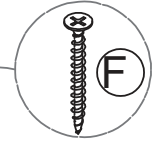
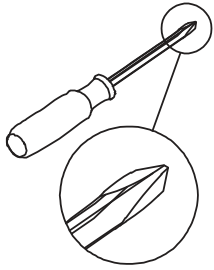
(C)	X4
	
Ø6x30	



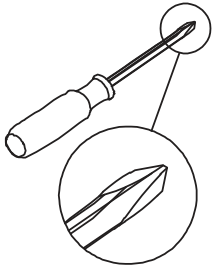
STEP 16

(F)	X8
	
Ø4x35	

(C)	X2
	
Ø6X30	



STEP 17

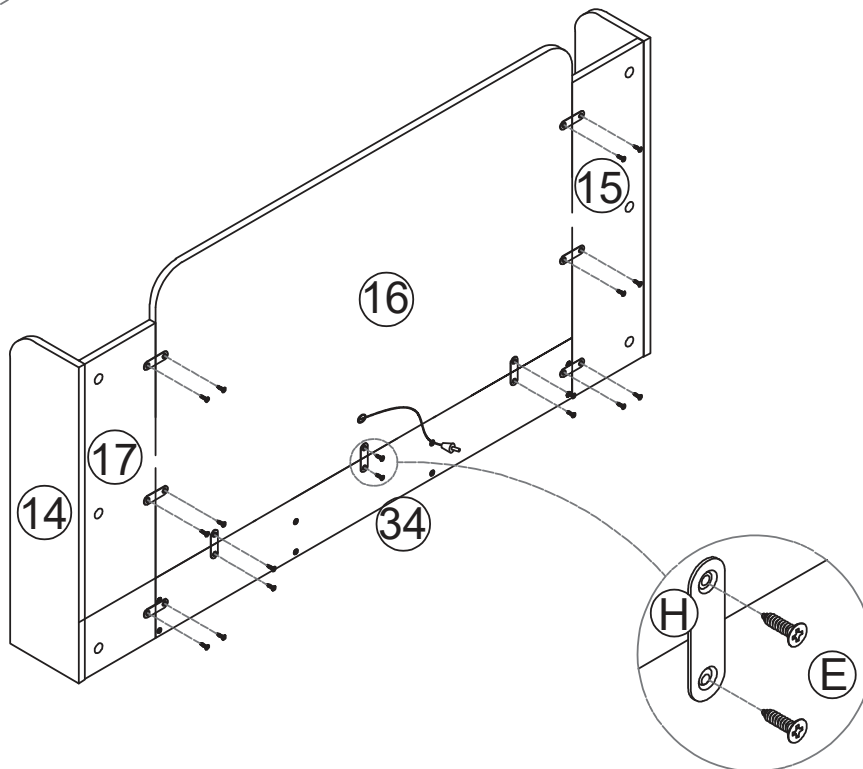
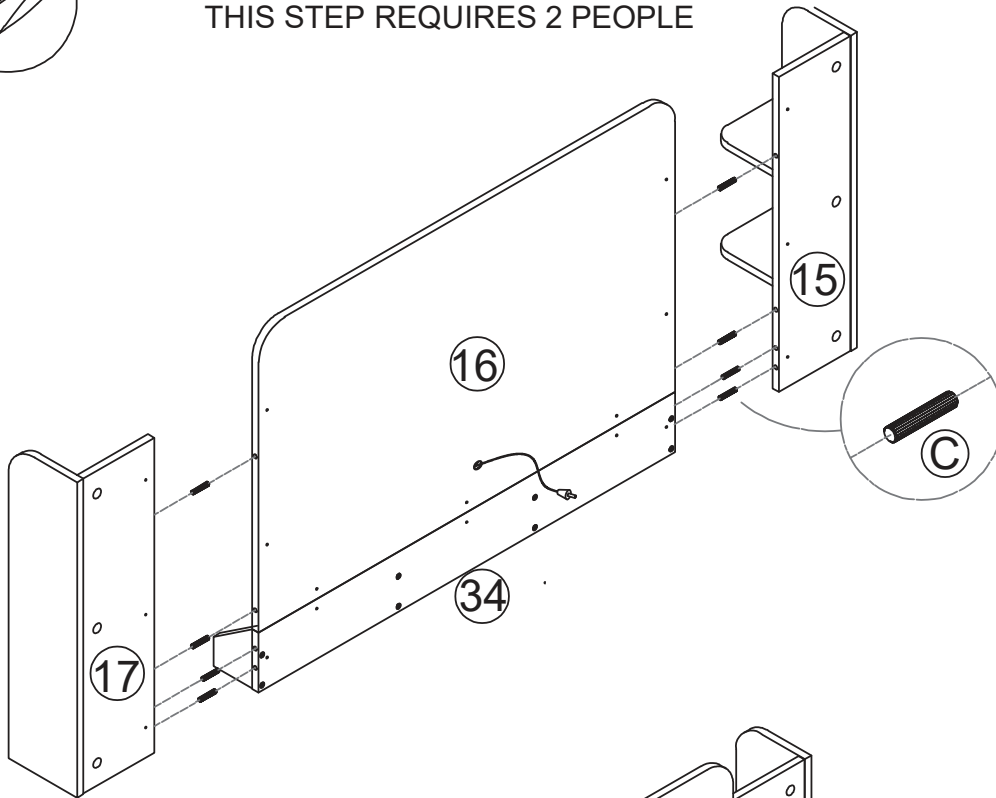


(H)	X9
45x15x1	


(E)	X18
Ø3.5x12	


(C)	X8
Ø6X30	


THIS STEP REQUIRES 2 PEOPLE

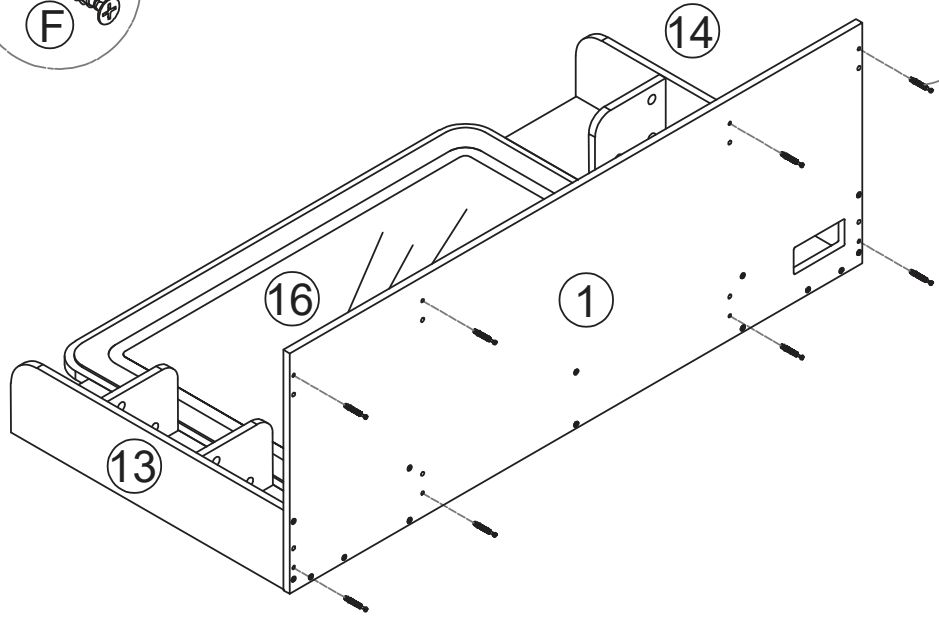
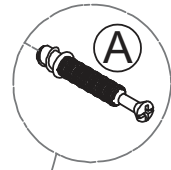
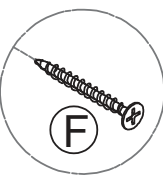
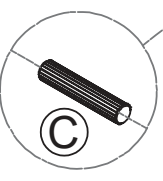
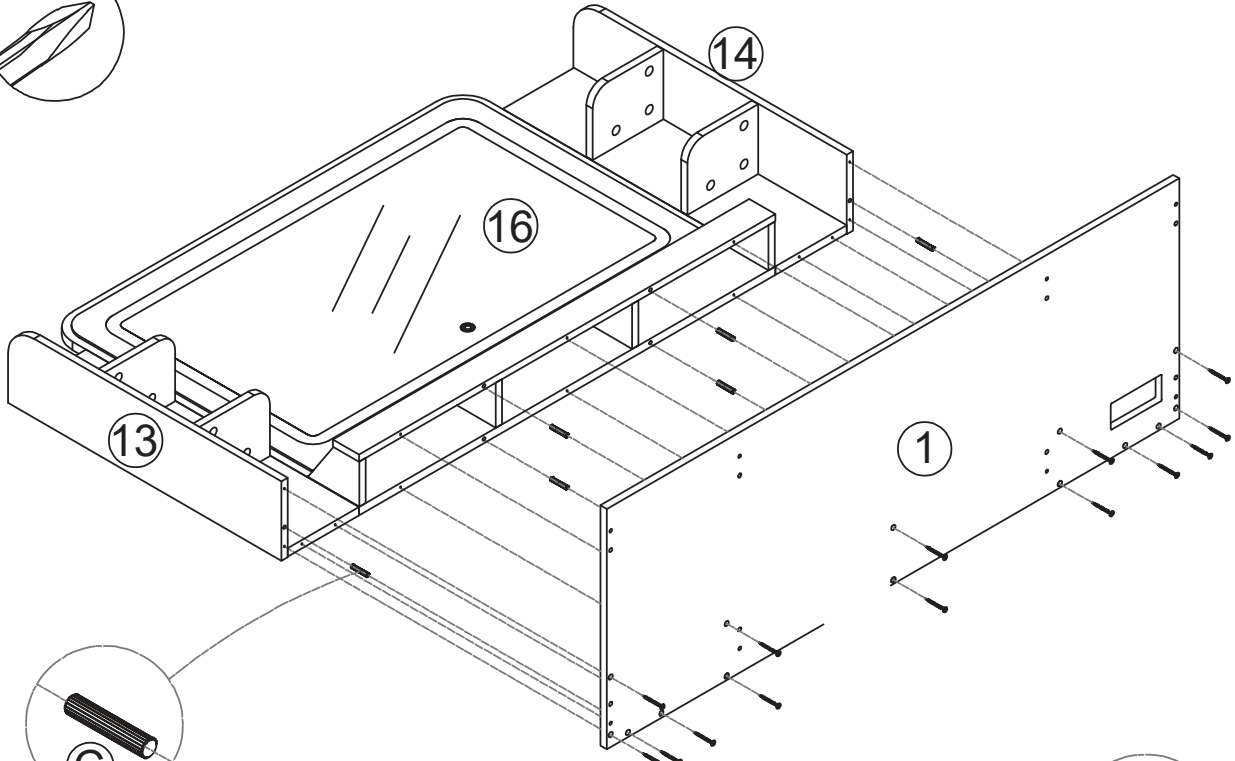
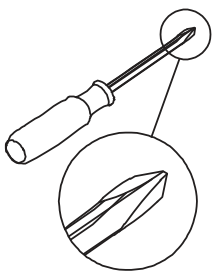


STEP 18

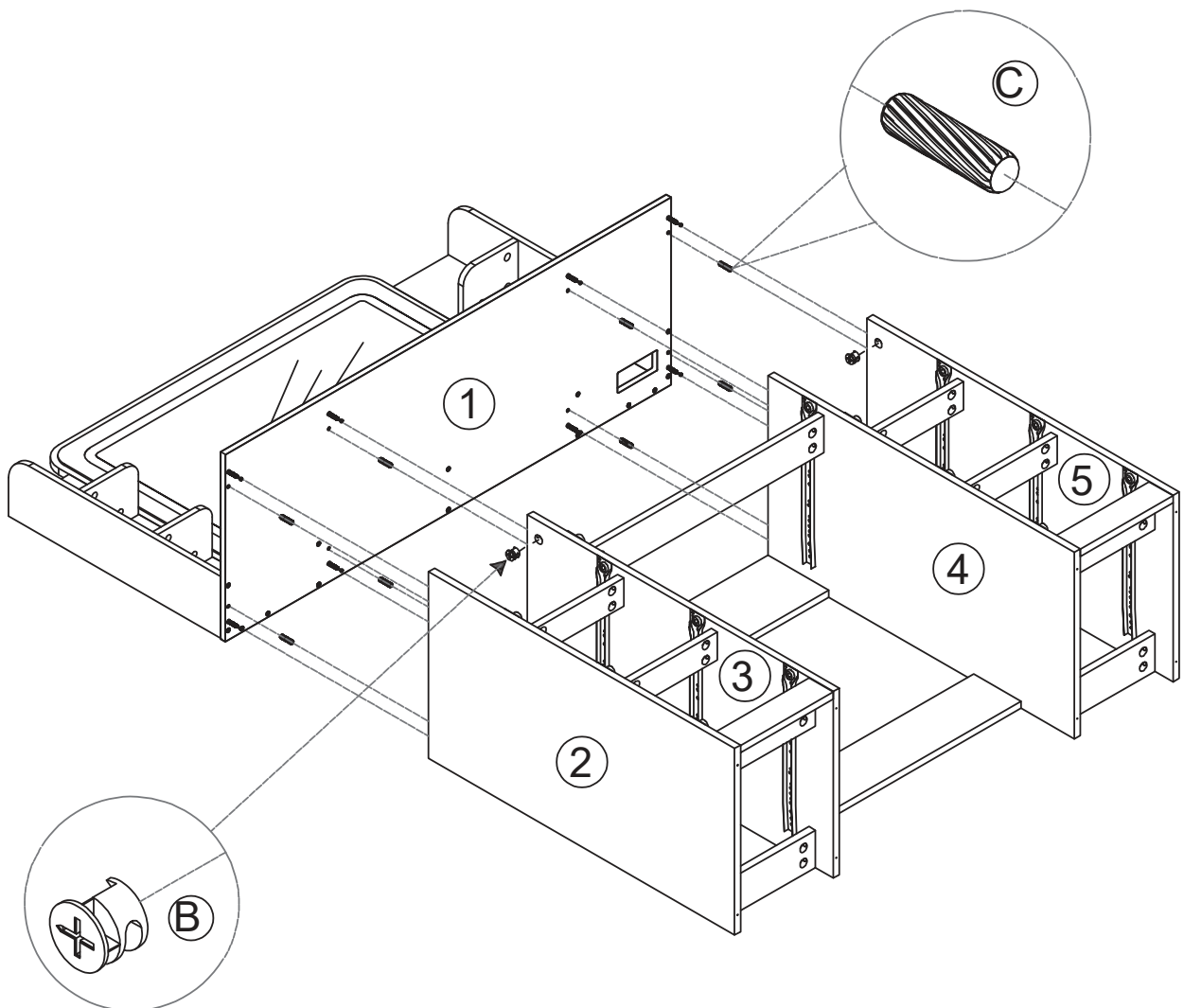
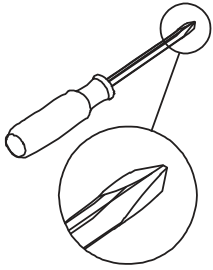
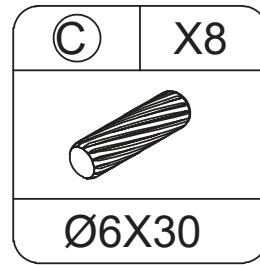
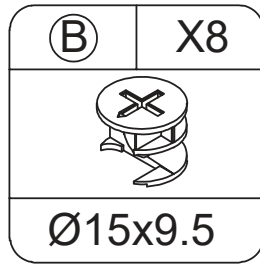
(F)	X14
	
Ø4x35	

(C)	X6
	
Ø6X30	


(A)	X8
	
Ø6x34	





STEP 19

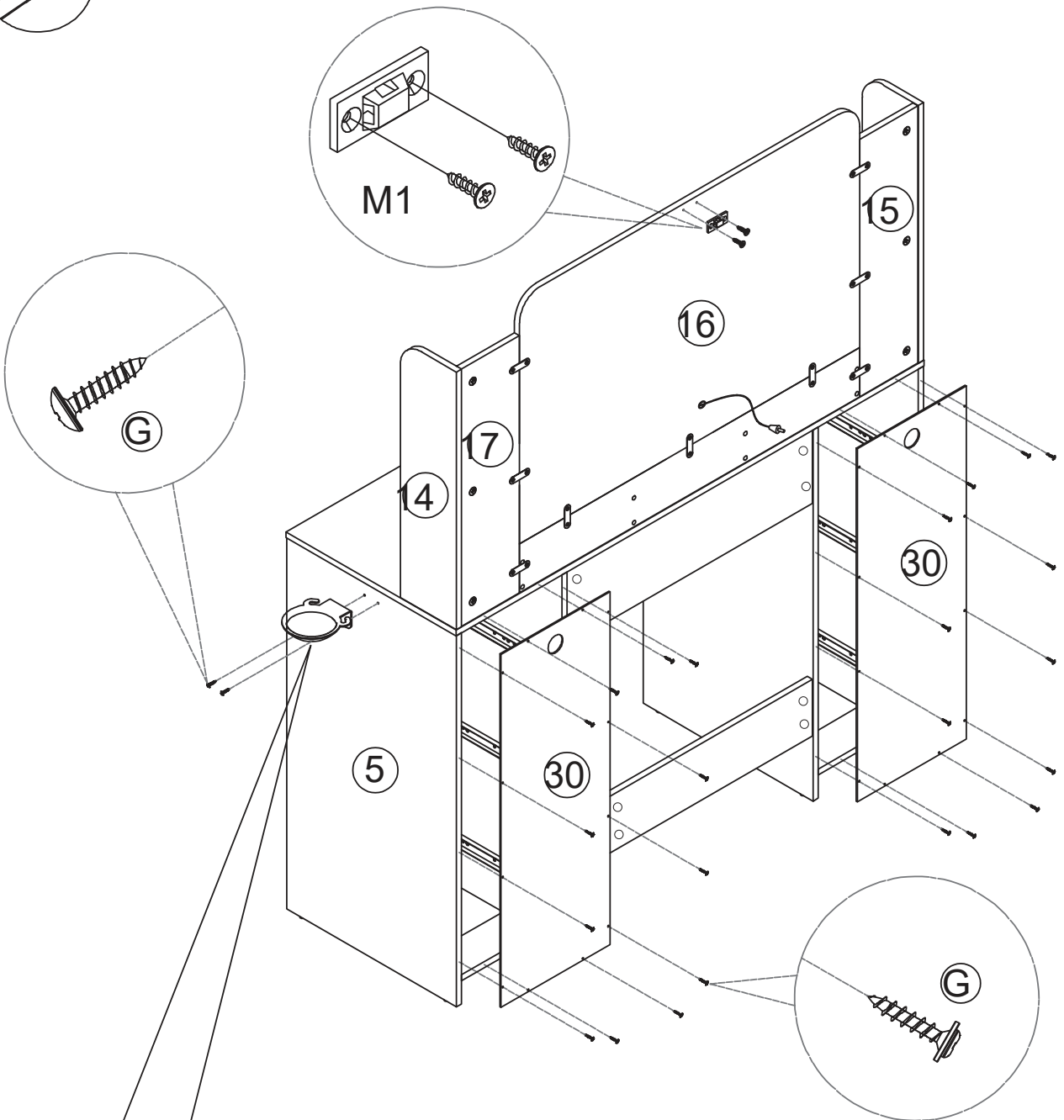
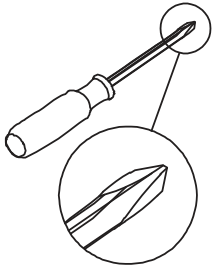


STEP20

ⓐ	X26
	
Ø3.5x14	

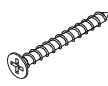
Ⓚ	X1
	
Ø3.5x14	


M1	X1set
	




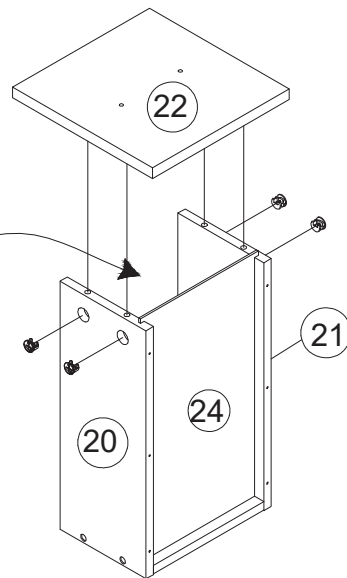
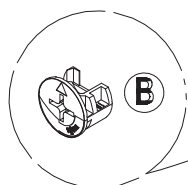
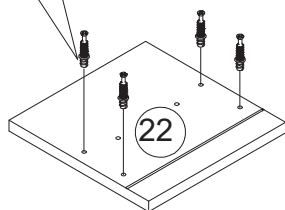
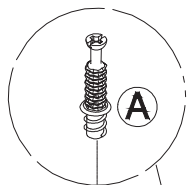
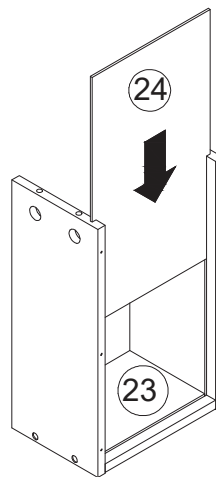
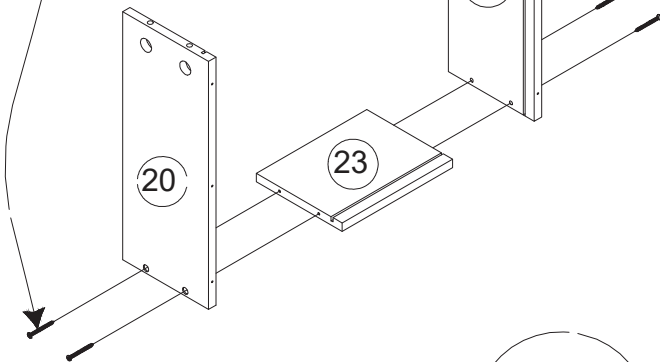
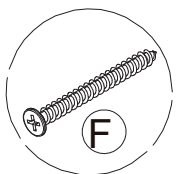
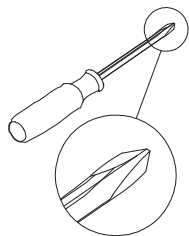
You can install the hair dryer rack(K) on the left or right according to your needs

STEP21

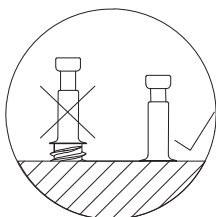
F	X 24
	
Ø4x35	

A	X 24
	
Ø6x34	

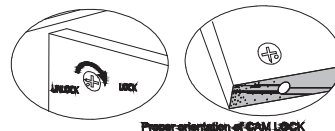
B	X 24
	
Ø15x9.5	



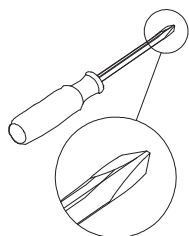
Insert the cam bolt into the hole first, then insert the cam lock and lock it.




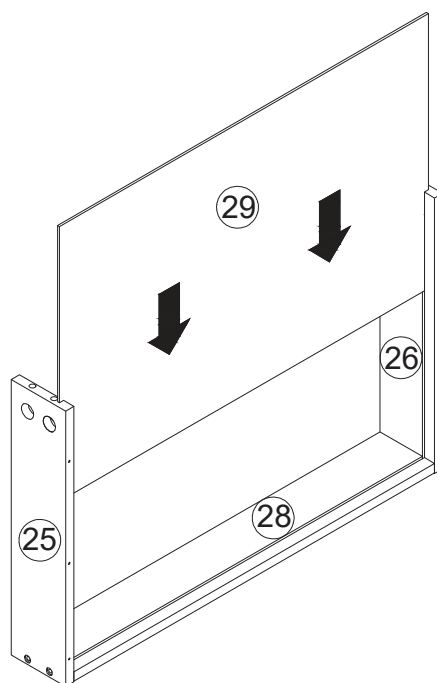
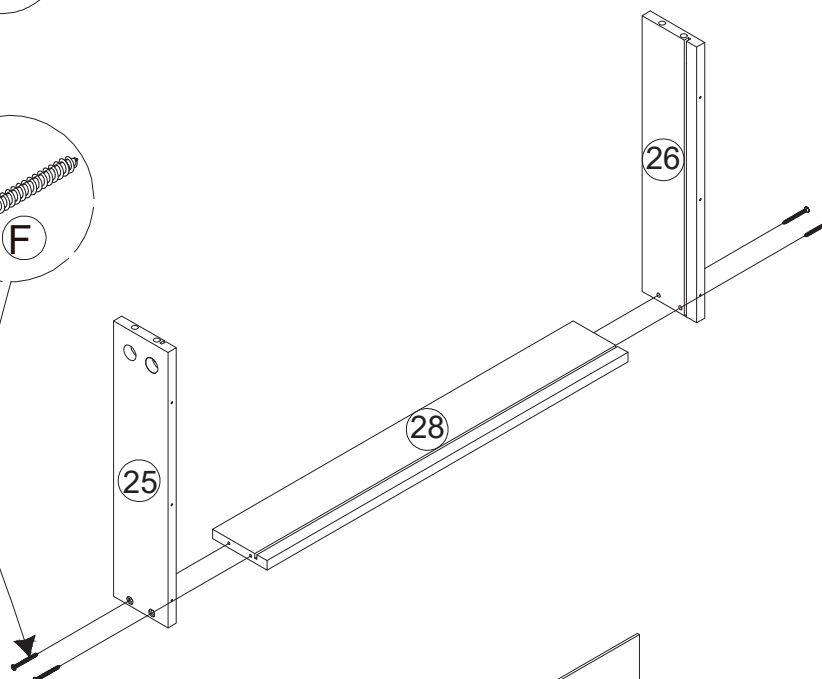
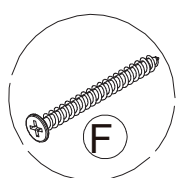
X6




STEP 22




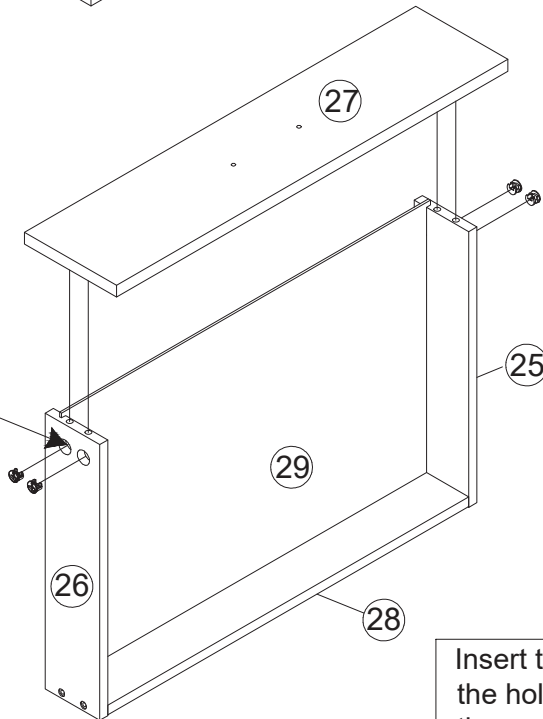
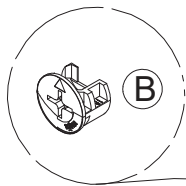
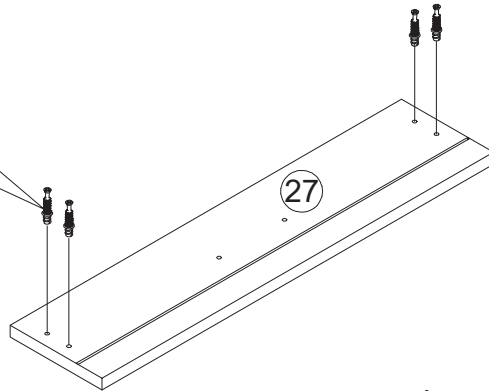
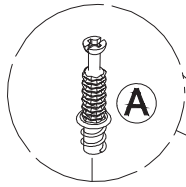
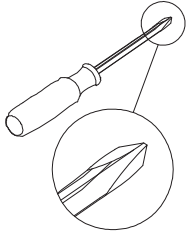
(F)	X4
	
Ø4x35	



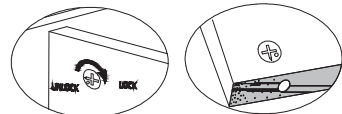
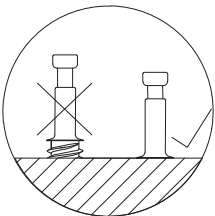
STEP23

(A)	X 4
	
Ø6x34	

(B)	X 4
	
Ø15x9.5	

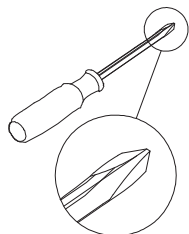



Insert the cam bolt into the hole first, then insert the cam lock and lock it.




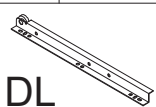
Preparation of CAM LOCK

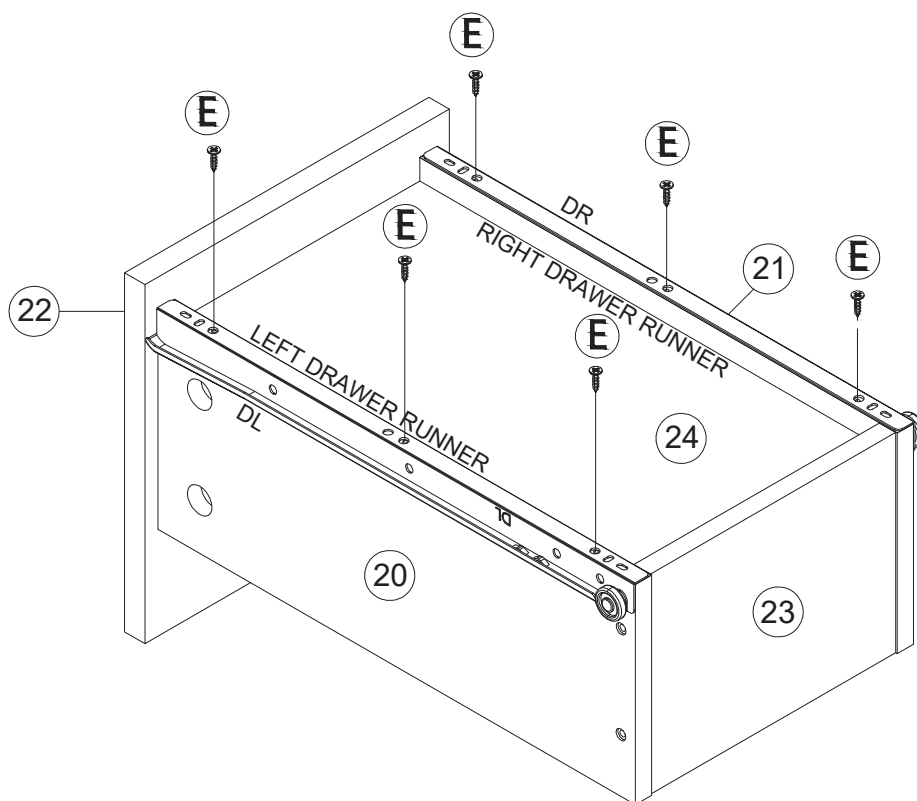
STEP 24



(E)	X36
	
Ø3.5x12	

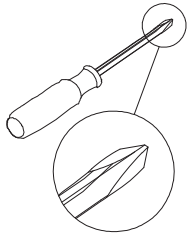
(L)	X6
	
DR	
L=350	


(L)	X6
	
DL	
L=350	




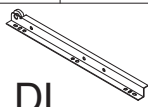
X6

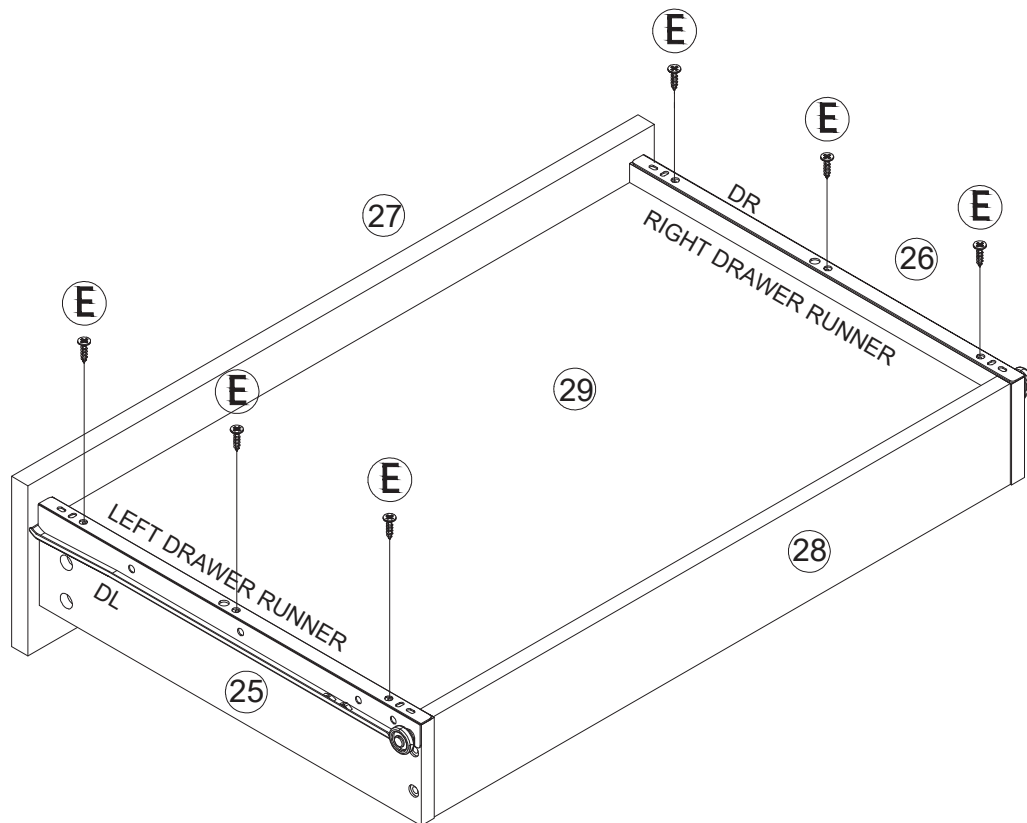
STEP 25



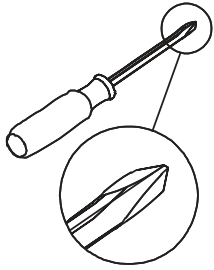
(E)	X6
	
Ø3.5x12	


(L)	X1
	
DR L=350	

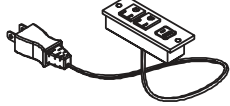
(L)	X1
	
DL L=350	

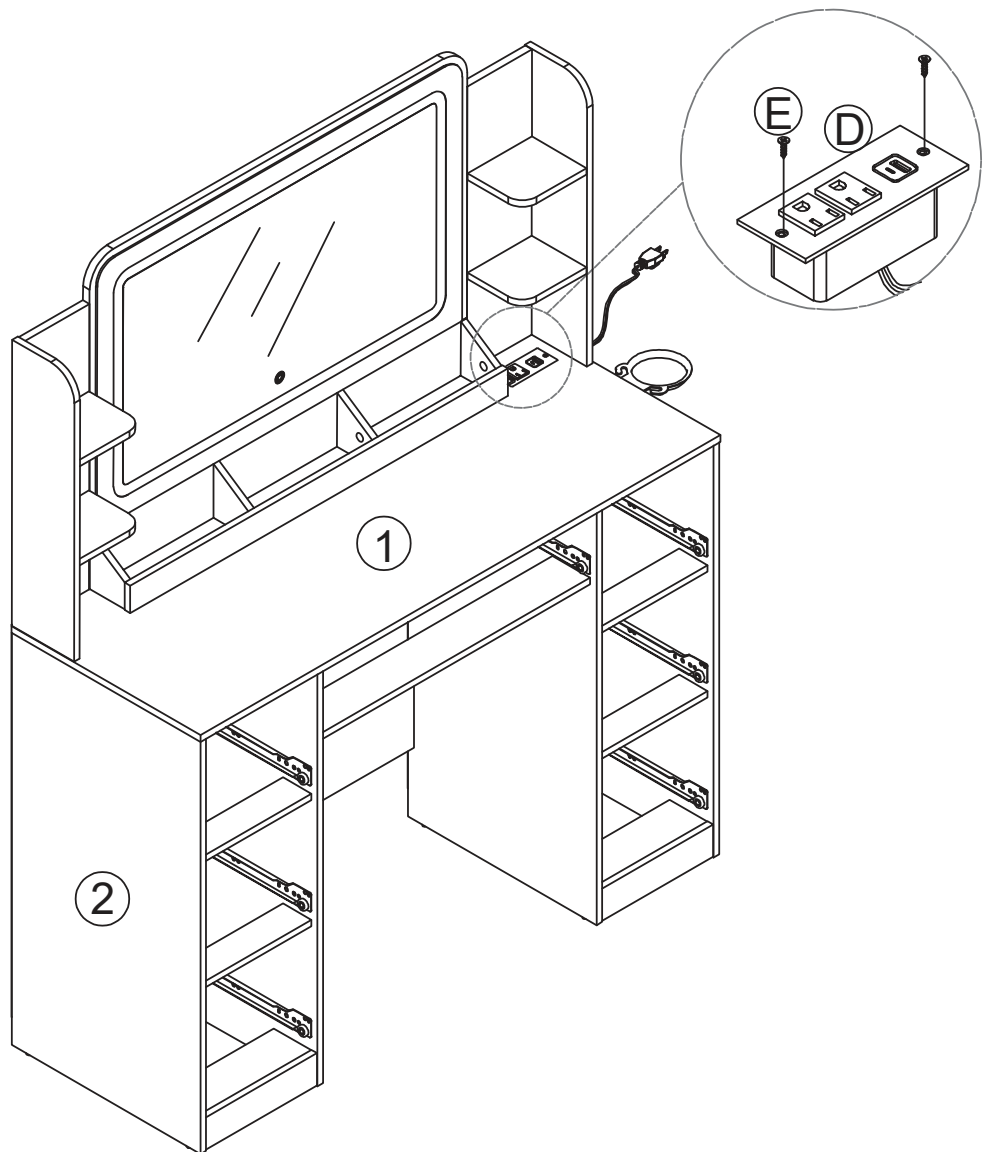


STEP 26

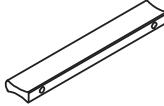


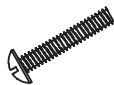
(E)	X2
	
Ø3.5x12	

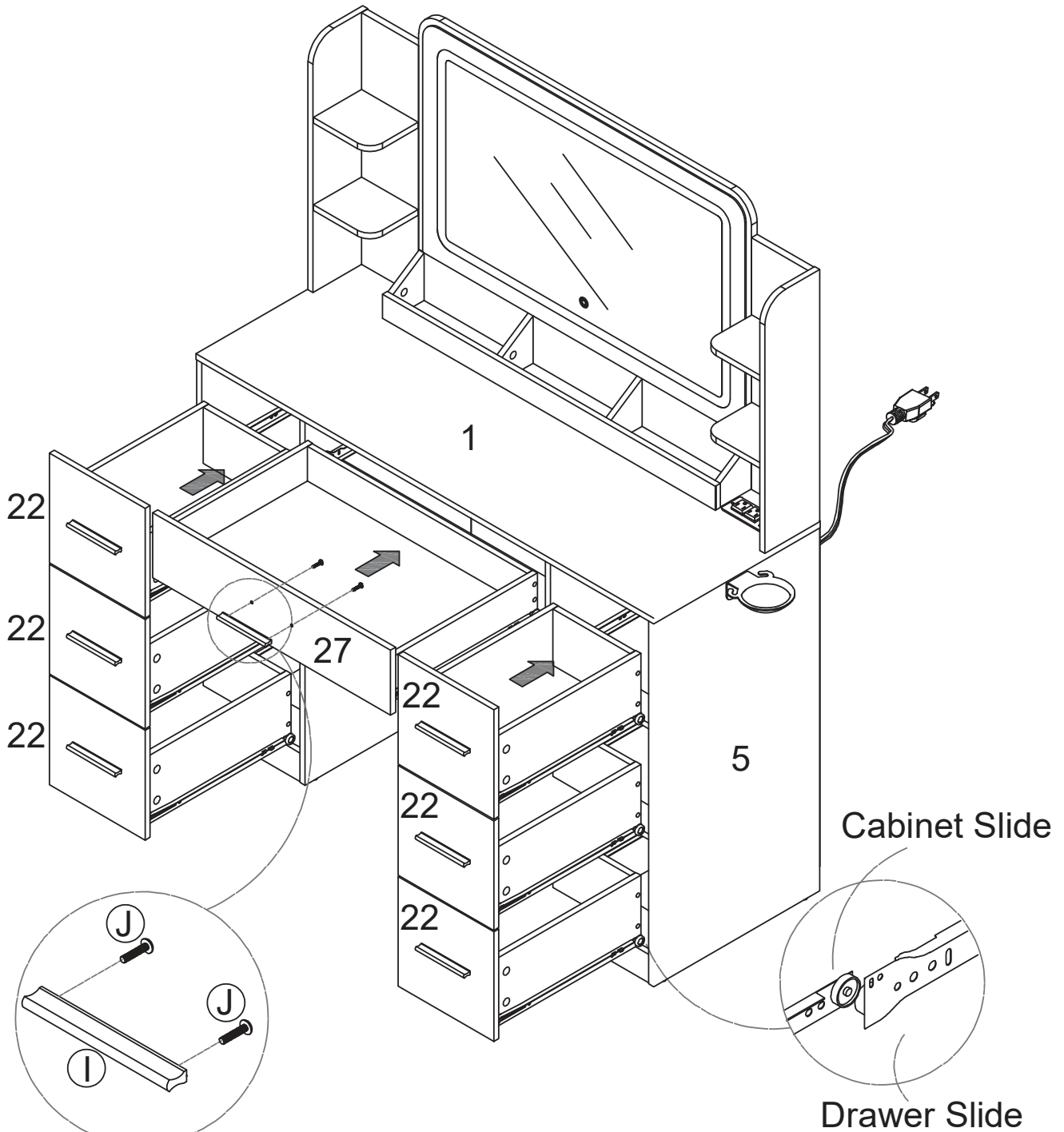
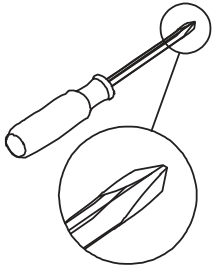
(D)	X1
	



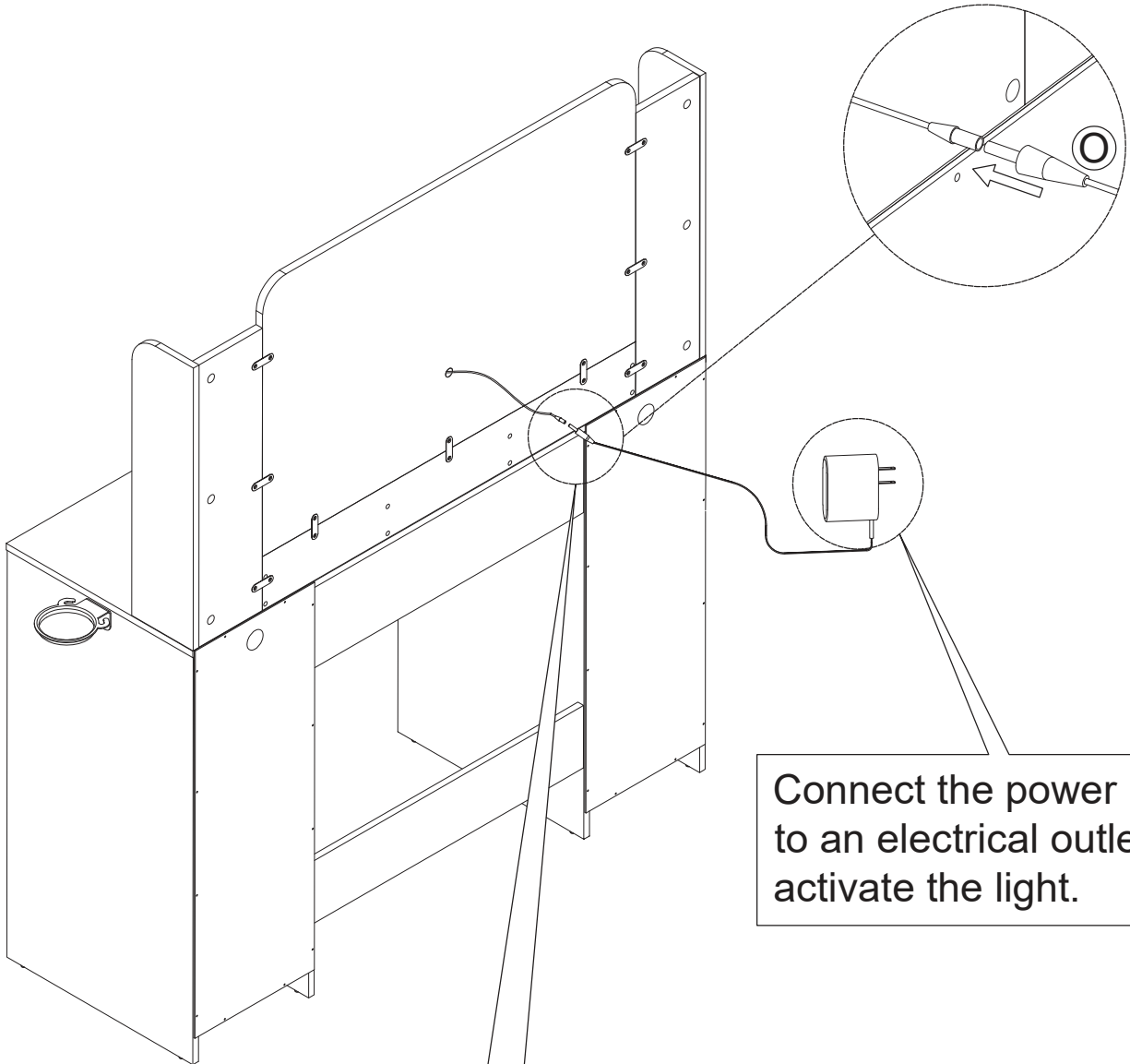
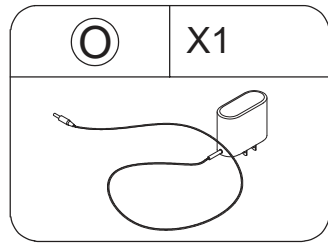
STEP 27

Ⓢ	X7
	
106*16*8	

Ⓝ	X14
	
5/32"x16	



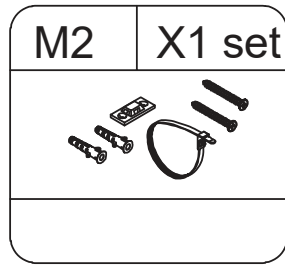
STEP28



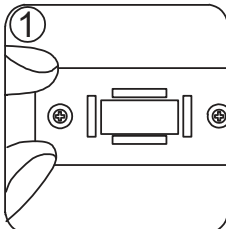
Connect the power plug to an electrical outlet to activate the light.

Insert the round connector into the socket behind the cabinet, then connect the other end to a power outlet to activate the smart sensor light inside the glass enclosure

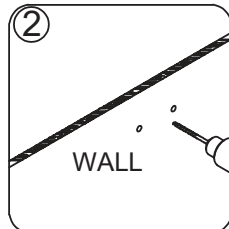
STEP 29



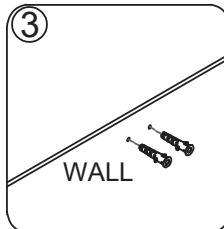
Install the tipping restraint hardware



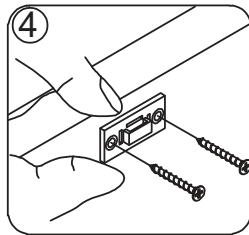
1. make mark on the wall



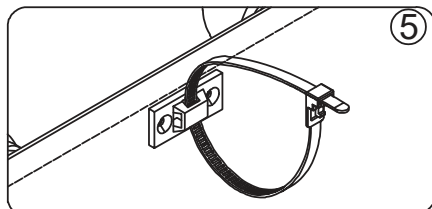
2. drill two GO6 holes on the wall



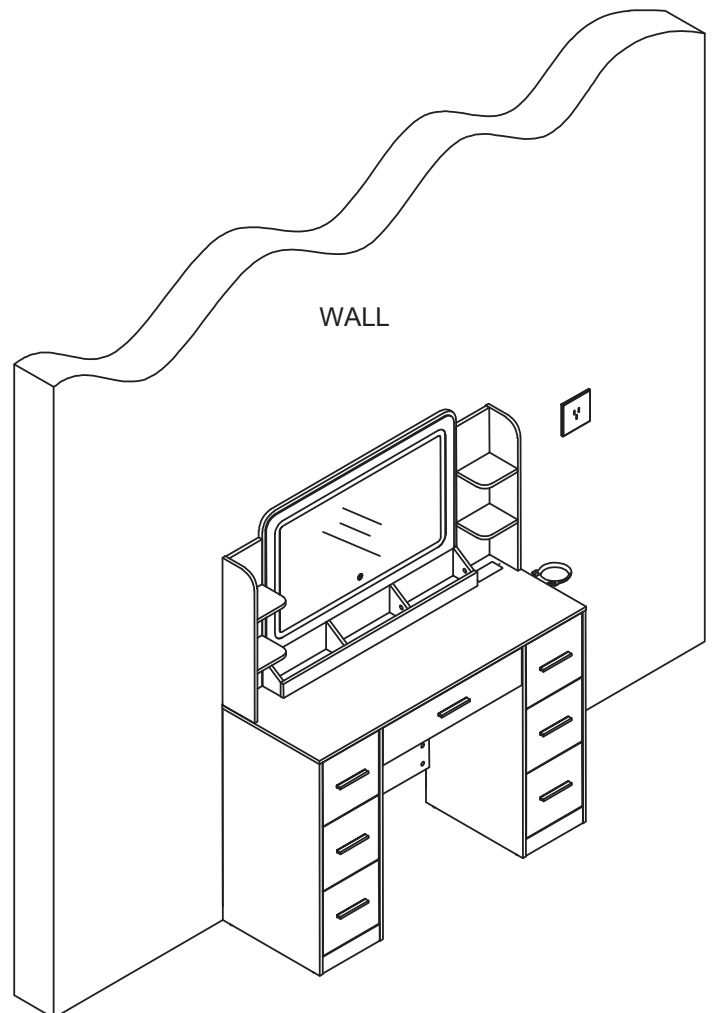
3. put two anchors in the holes



4. fix the device on the wall by the long screws



5. Push the cabinet close to the wall so that the two bases are close to each other, and then put on nylon tie to tighten it.



FURNITURE CARE AND MAINTENANCE

Thank you for your purchase. We want your item to last as long as possible. To ensure the product gives you years of service, please refer to this care and maintenance guide.



MAINTENANCE

Tighten all bolts and screws again within the first 2 weeks of assembly. Check the tightness of all bolts every 2 months, tighten them if necessary.



CLEANING

Clean the surface of the MDF and PB (medium - density fiber board) with a lightly dampened cloth.

Small amount of mild soap can be used if necessary.

- Dry the surface immediately after cleaning.

⚠ DO NOT use bleach or alcohol detergent to clean the surface. DO NOT apply wood treatment on parts made with MDF/PB.

Medium - density fiber board and PB will swell and distort when they suffer from water damage. Make sure to dry the furniture immediately after cleaning.