







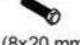

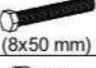
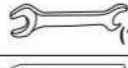


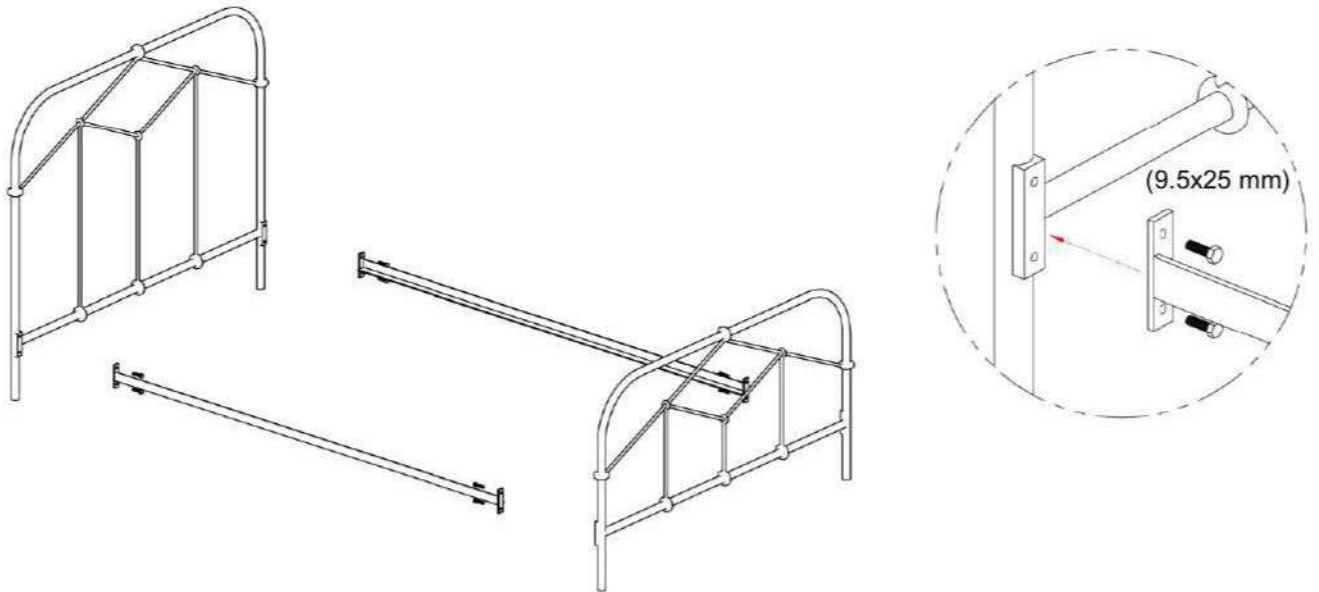


Assembly Instruction
 Product Description: **QUEEN Bed**

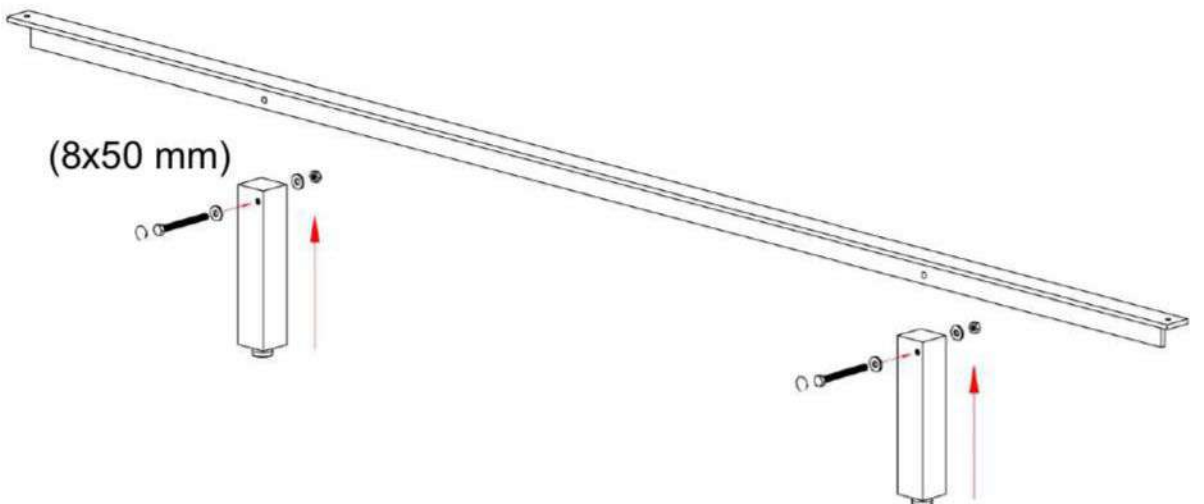
Hardware and Component List:

Hardware/Component List		Qty.	Hardware/Component List		Qty.
	Headboard	1		Footboard	1
	Side Rail	2		Center Support	1
	Center Leg	2		Slats	1
	Bolt (9.5x25 mm)	8		Washer (5 x 16mm)	4
	Bolt (8x20 mm)	2		Nut (10 mm)	2
	Bolt (8x50 mm)	2		Wrench (14 x 15)	1
	Allen Bolt (8x30 mm)	4		Allen Key (5 mm)	1

1



2



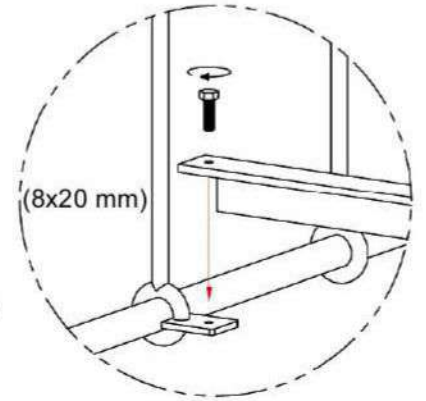
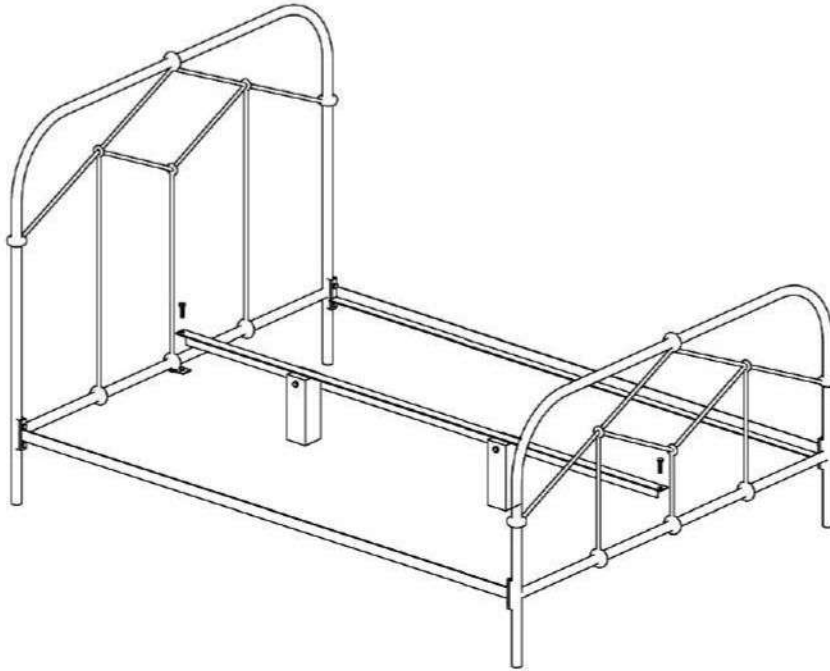
CAUTION : Please do not over tighten bolts / screw.

Assembly Instruction

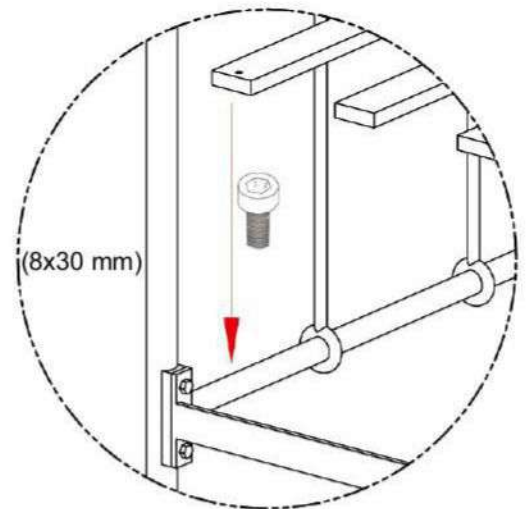
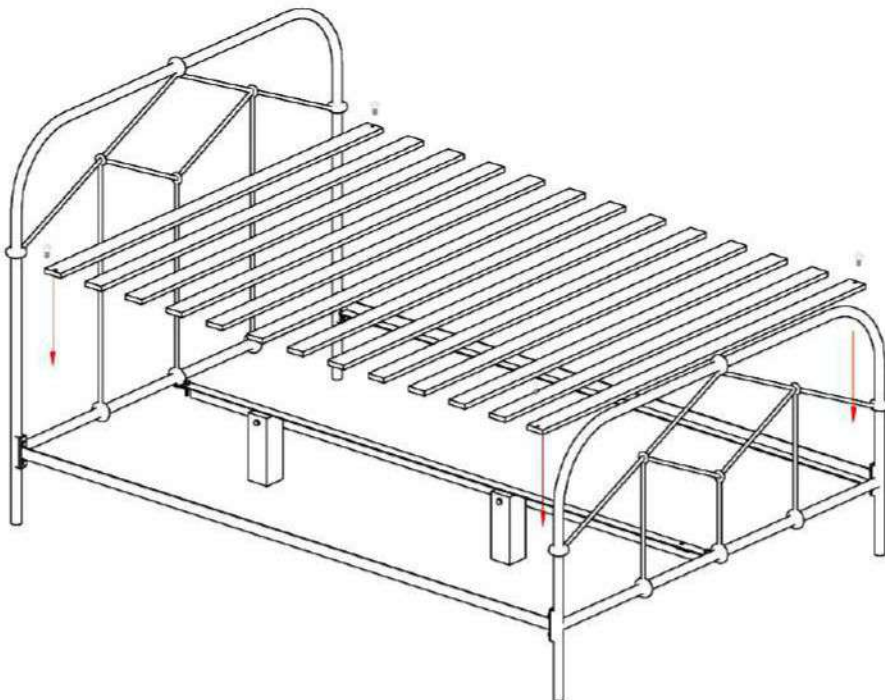
Product Description:

QUEEN Bed

3



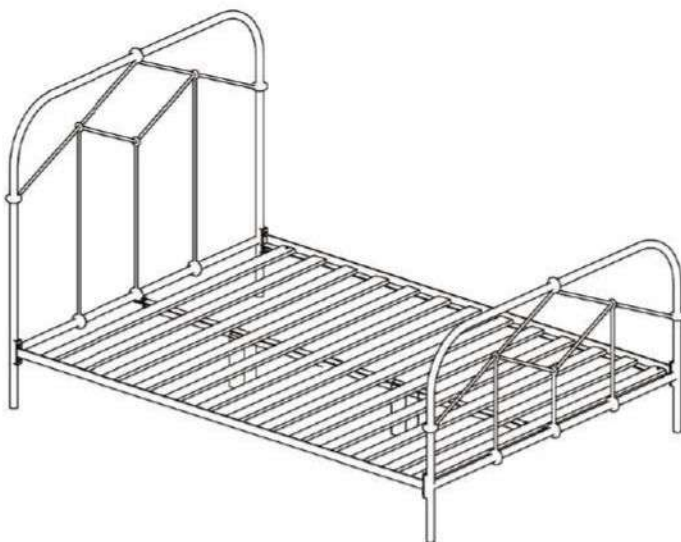
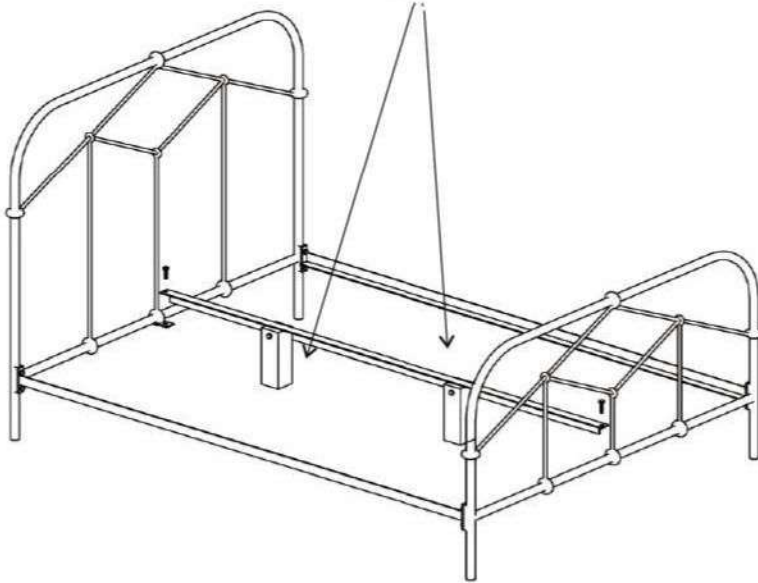
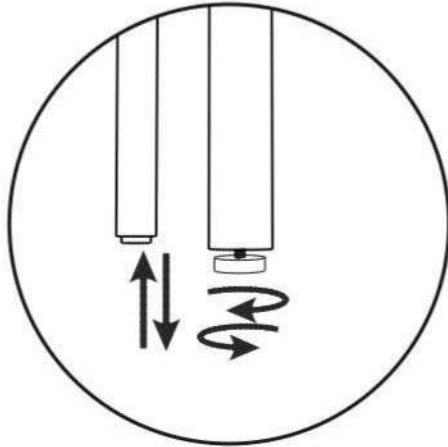
4



CAUTION : Please do not over tighten bolts / screw.

5

Level Adjustment - In case any Unalignment , use levelers to adjust the balance of the item.



ASSEMBLED PRODUCT