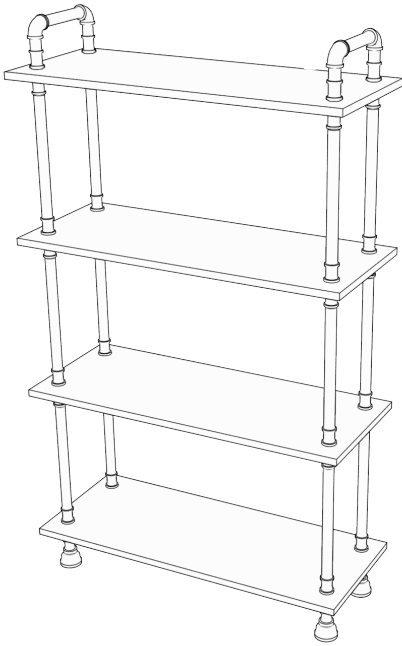







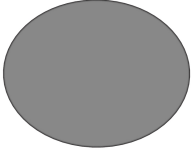






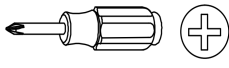


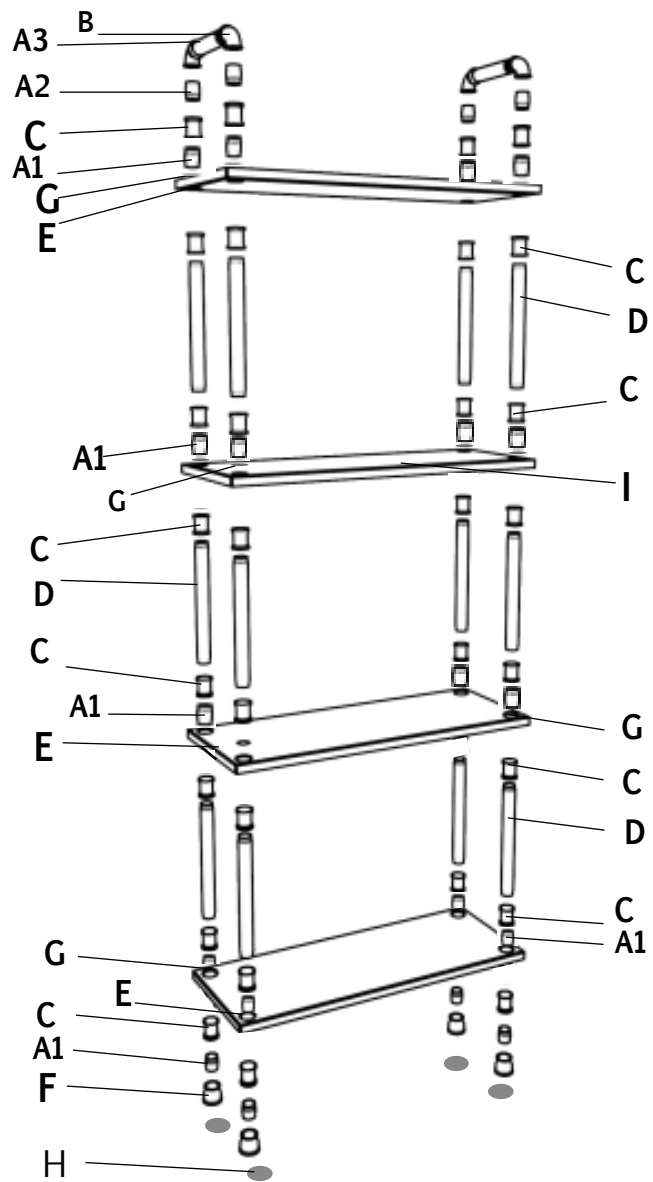
# SKU: 6090-404WBR

## ASSEMBLY INSTRUCTION

	<p><b>A</b></p>  <p>A1: 1.5" 20PCS A2: 2.4" 4PCS A3: 6.3" 2PCS</p>	<p><b>B</b></p>  <p>4PCS</p>		
	<p><b>C</b></p>  <p>32PCS</p>	<p><b>D</b></p>  <p>12PCS</p>		
<p><b>E</b></p>  <p>3PCS</p>	<p><b>F</b></p>  <p>4PCS</p>	<p><b>G</b></p>  <p>16PCS</p>	<p><b>H</b></p>  <p>4PCS</p>	
<p><b>I</b></p>  <p>1PCS</p>	<p><b>J</b></p>  <p>2PCS</p>	<p><b>K</b></p>  <p>2PCS</p>	<p><b>L</b></p>  <p>4PCS</p> <p><b>M</b></p>  <p>4PCS</p>	 <p>1PCS</p>  <p>1PCS</p>

Please unscrew all spare parts before assembling.  
 If you find the screw thread is rusty, please don't worry,  
 it will not affect the installation and use.

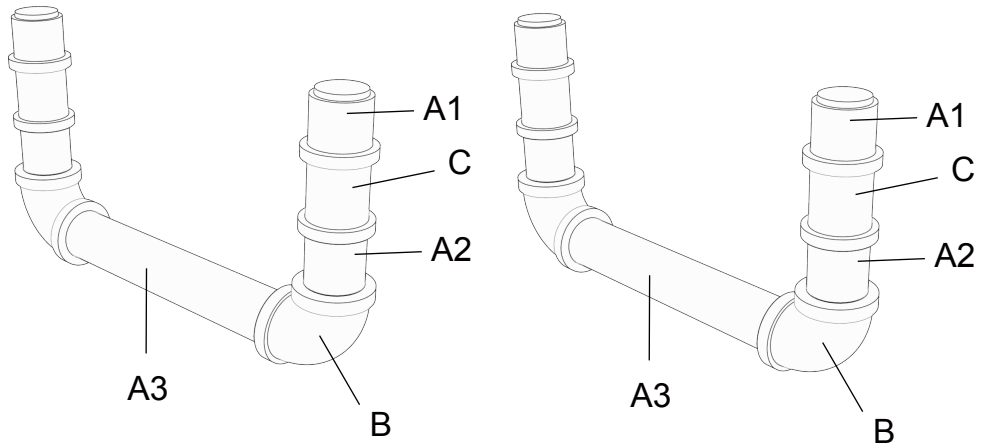
# SKU: 6090-404WBR ASSEMBLY INSTRUCTION



Decomposition Diagram

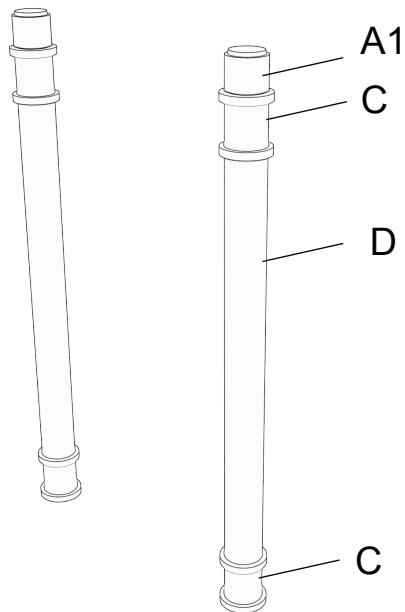
SKU: 6090-404WBR  
ASSEMBLY INSTRUCTION

STEP 1



2PCS

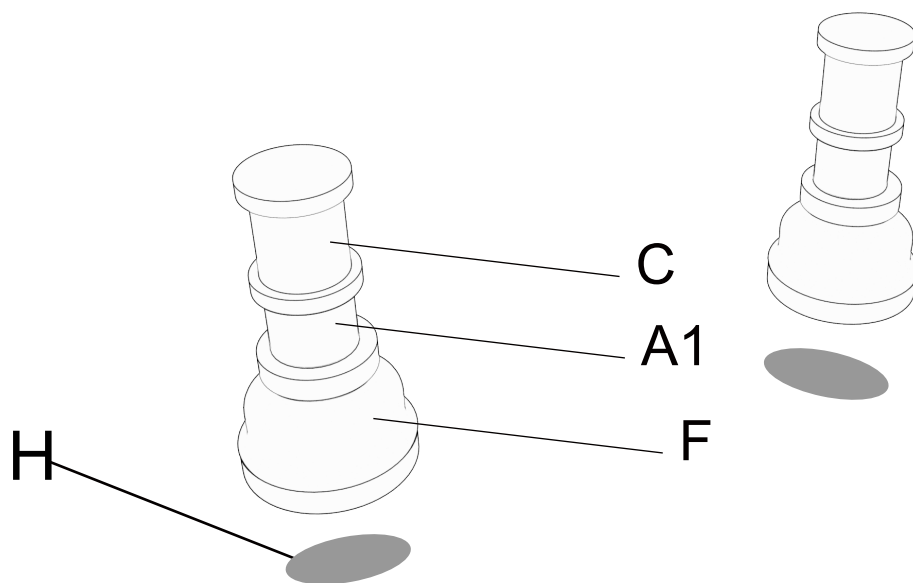
STEP 2



12PCS

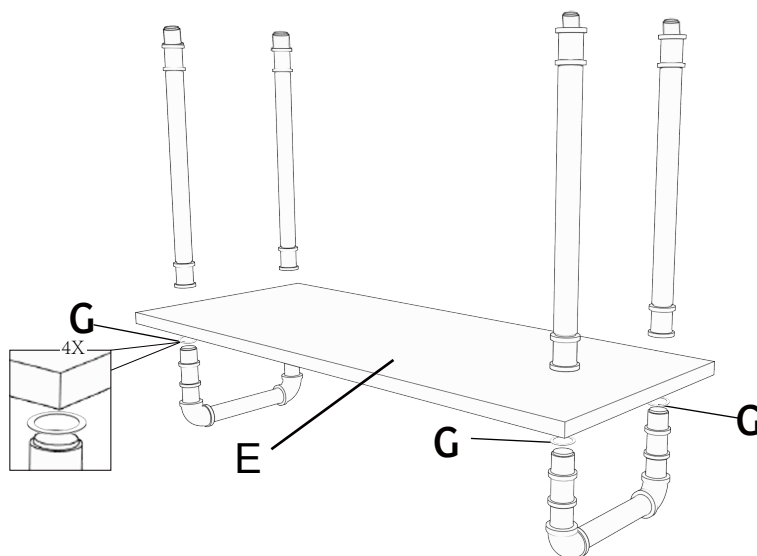
SKU: 6090-404WBR  
ASSEMBLY INSTRUCTION

STEP 3



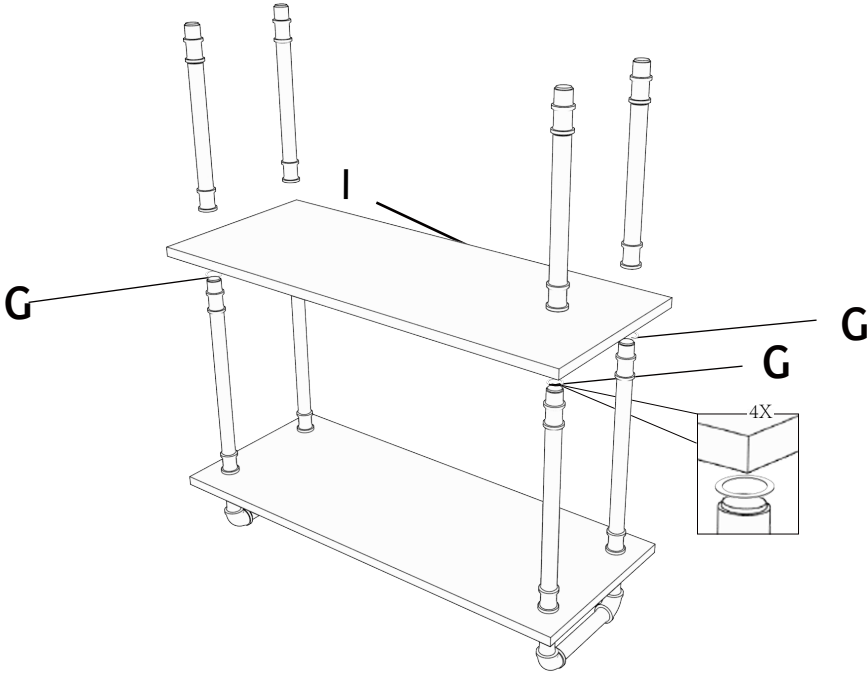
4PCS

STEP 4

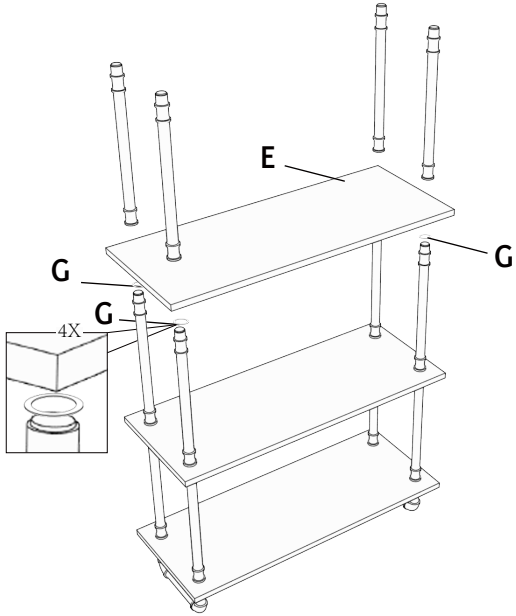


SKU: 6090-404WBR  
ASSEMBLY INSTRUCTION

STEP 5

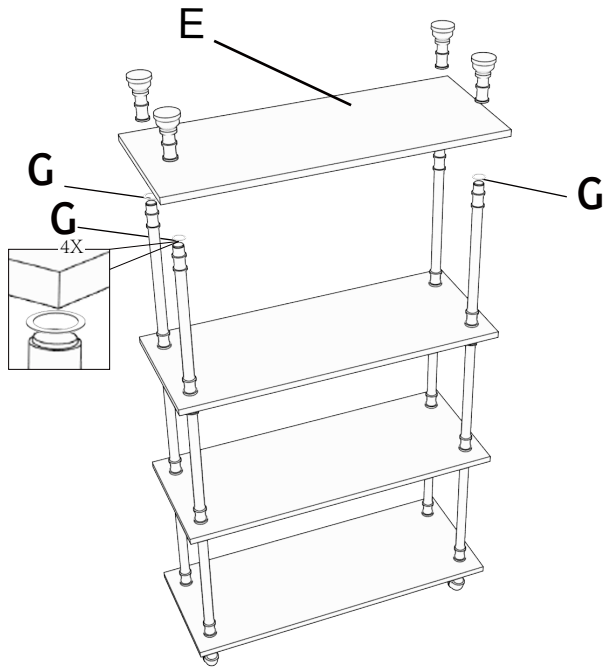


STEP 6

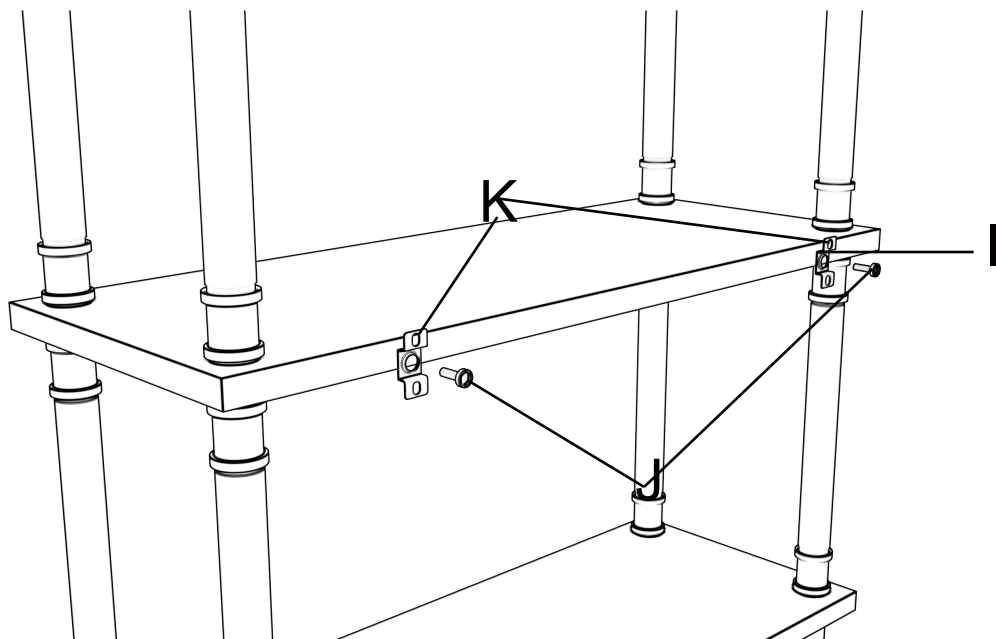


SKU: 6090-404WBR  
ASSEMBLY INSTRUCTION

STEP 7

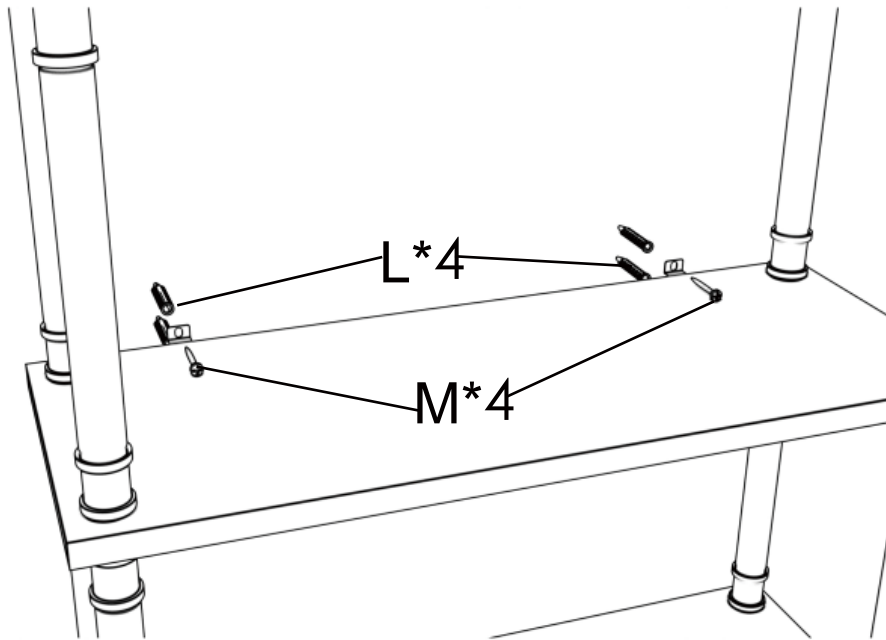


STEP 8



SKU: 6090-404WBR  
ASSEMBLY INSTRUCTION

STEP 9



STEP 10

