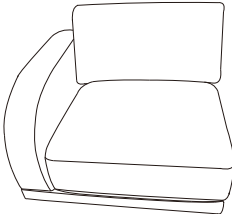


Hardware

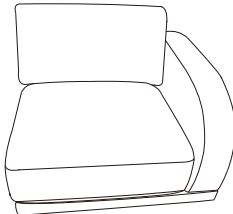


A x12

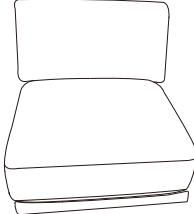
Components



B x 1



C x 1

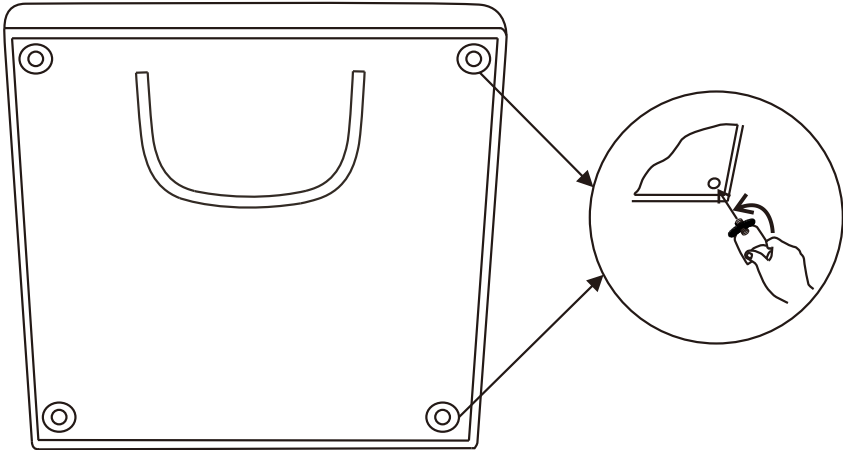


D x 1



E x12

Assembly



 X4

 X4

