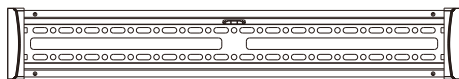


**Caution:**

1. Ensure that you received all parts according to the components checklist prior to installation.
2. This mount contains small parts which can act as a choking hazard if swallowed.
3. Do not begin the installation until you have read and understood all the instructions and warnings in this installation until you have and understood all the instructions and warnings in this installation sheet. If you don't understand this manual, please consult an installation expert.
4. This product should be installed by experienced person. Improper installation may cause damage or serious injury.
5. Recommended mounting surface: wood stud and solid-flat concrete. If the product is to be installed on any other those mentioned above, please consult an expert.
6. Make sure that the supporting surface will safely support the combined weight of the equipment and accessories hardware components.
7. This product is intended for indoor use only.



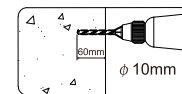
Wall plate x 1



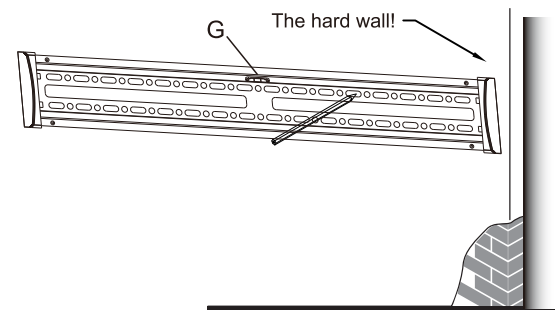
Adapter bracket x 2

A1	6x50mm	4PCS	E	5x30mm	2PCS
A2	10x50mm	4PCS	F1	5x14x1mm	4PCS
B	4x20mm	4PCS	F2	6x14x1mm	4PCS
C	6x20mm	4PCS	F3	8x18x10mm	4PCS
D	8x20mm	4PCS	G		1PCS

**STEP 1: Install on solid flat concrete wall**



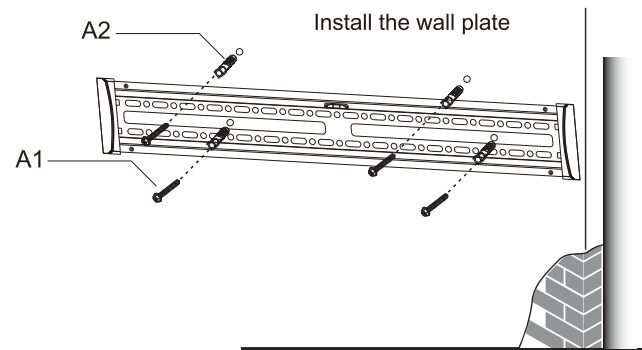
Hole size  $\phi$  10



1  
Mark the exact location of mounting holes



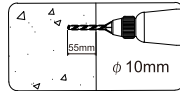
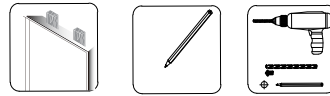
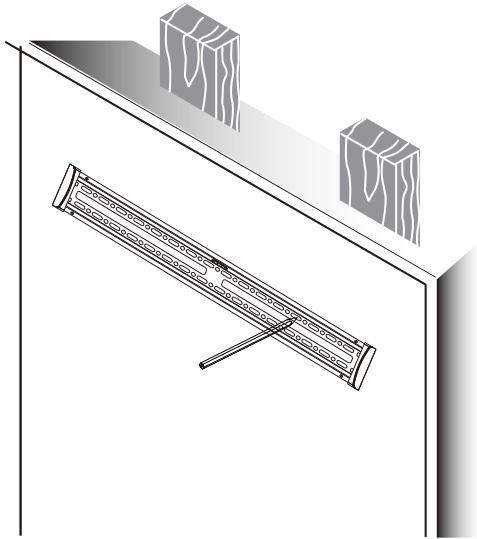
2  
Drill pilot holes



Screw the wall plate

## STEP2: Install on solid flat wood stud

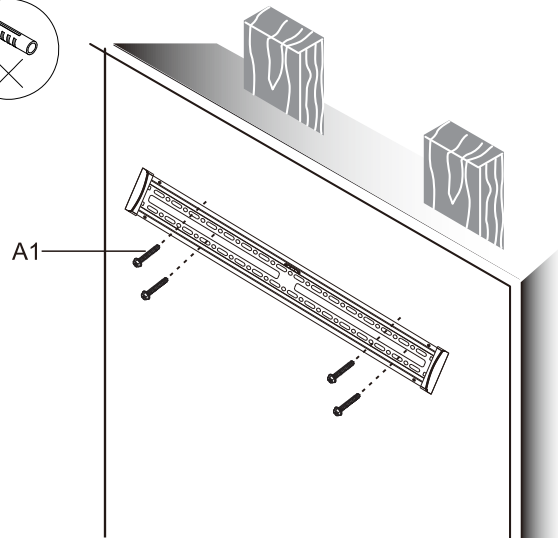
The two ends of the wall plate **MUST** be mounted to two wood studs. Use a high quality electronic stud finder to locate two adjacent wood studs.



Mark the exact location of mounting holes

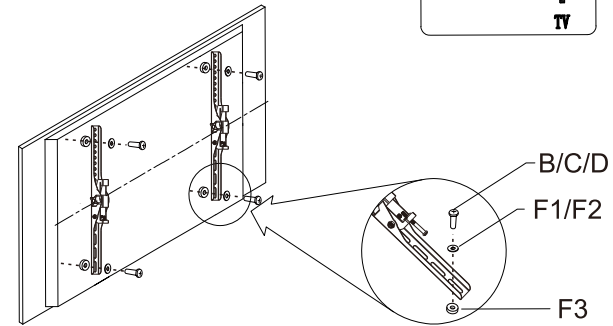
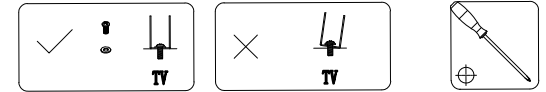


Drill pilot holes

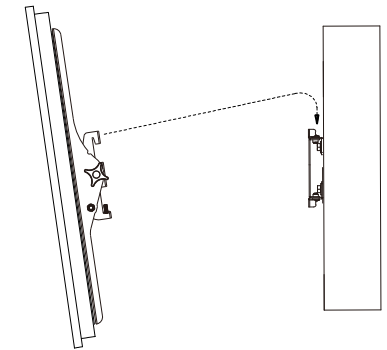
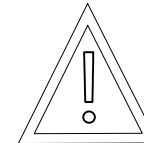
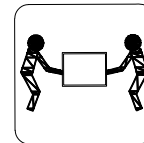


Screw the wall mount

## STEP3: Attach adapter brackets to TV



## STEP4: Hook TV onto the wall plate



## STEP5: Tighten the screw

