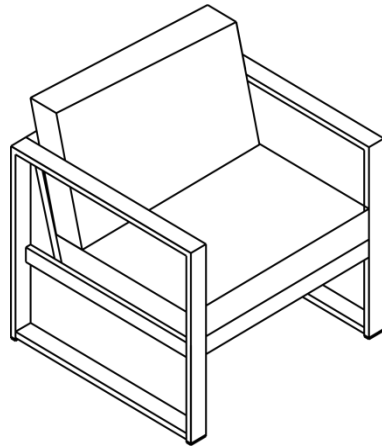


# Assembly Instructions

**Caution : You must read this before you proceed**

## Chair



### Parts List

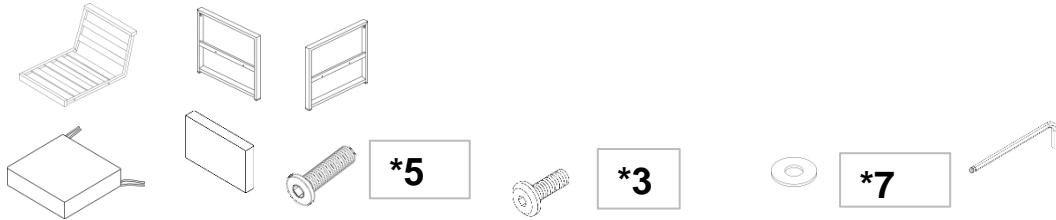
Label	Picture	Description	QTY
A6		Seat	1
B6		Right Armrest(Pre-InstalledLevellers)	1
C6		Left Armrest(Pre-InstalledLevellers)	1
D		Seat Cushion	1
E		Back Cushion	1

# Hardware

Label	Picture	Description	QTY
①		Bolt (M6*40MM)	5
②		Bolt (M6*32MM)	3
③		Washer	7
④		Allen Key	1

# Assembly Preparation

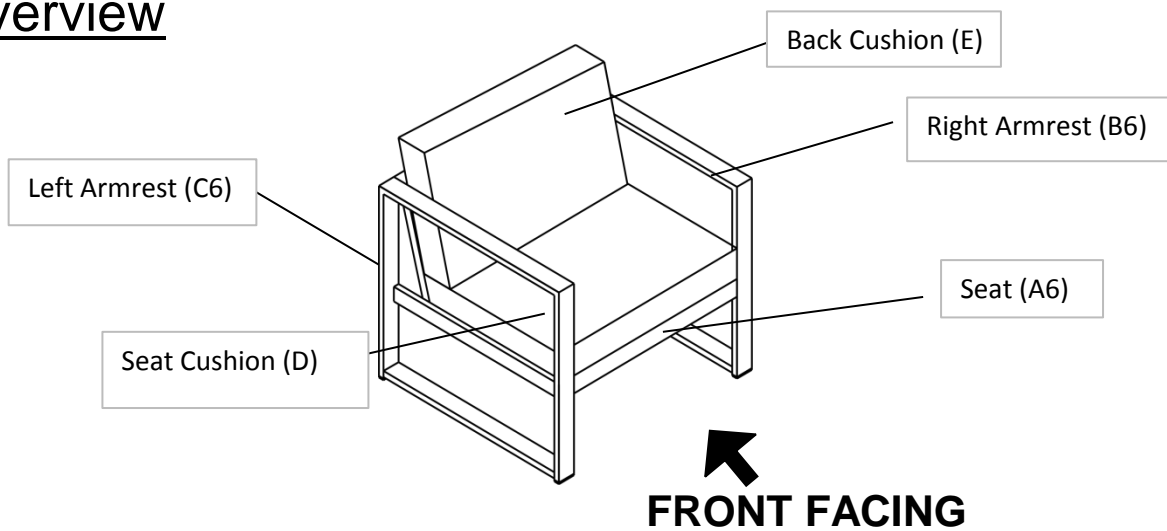
Before Beginning Assembly :



- Read instructions, cover to cover-
- Have 2 adults on hand for assembly-
- Do not assemble on flooring or carpet-
- Assemble on a clean non-marring surface (packing foam)-
- Save all packaging until finished-

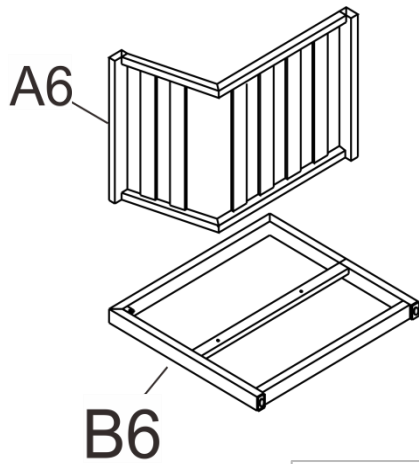
# Assembly Steps

## Overview

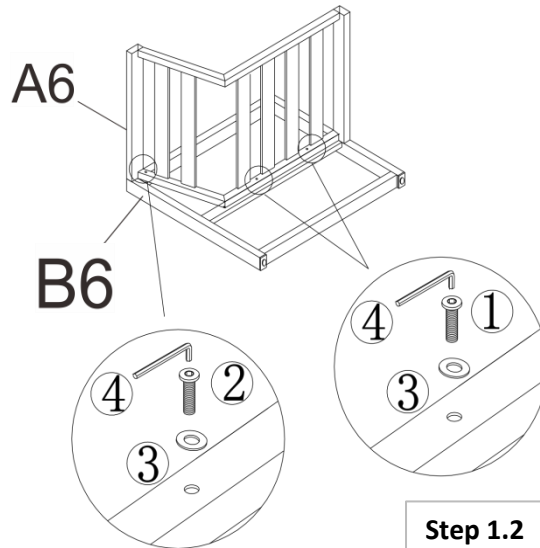


This Chair has multiple parts and may require up to 30 minutes to assemble. To give you an overview of the Chair parts, the above picture is to help you put the various parts into perspective. Please read through the instructions below to familiarise yourself with the parts and steps before assembly.

## Step 1



Step 1.1



Step 1.2

Open the carton and place all the parts onto a clean, non-marring surface.  
Place the Right Armrest(B6) facedown.

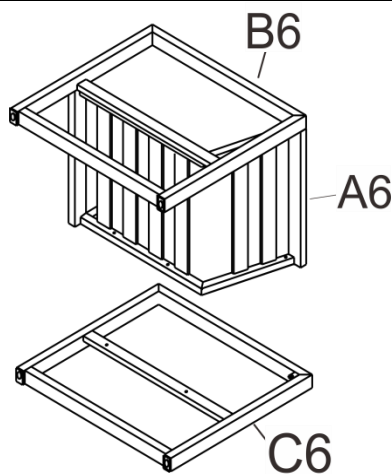
**1.1)** Align Seat(A6) to Right Armrest(B6) as shown above.

**1.2)** Attach Seat(A6) to Right Armrest(B6) using Bolts(①), and Washers(③) with Allen Key(④) as shown above.

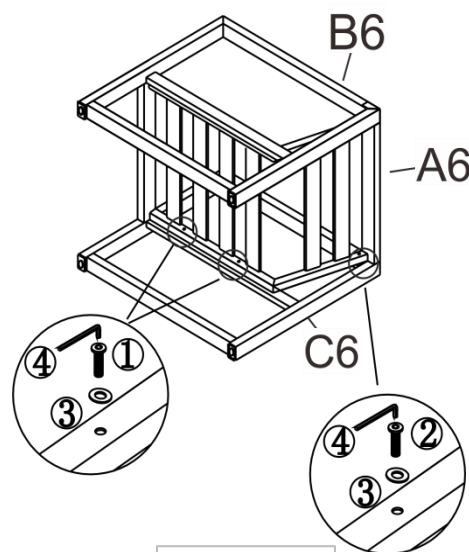
Attach Seat(A6) to Right Armrest(B6) using Bolt(②), and Washer(③) with Allen Key(④) as shown above.

**Tighten the Bolts fully in a sequential manner.**

## Step 2



Step 2.1



Step 2.2

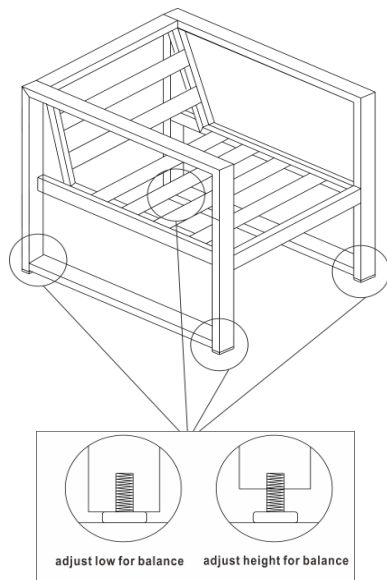
**2.1)** Align Seat(A6) to Left Armrest(C6) as shown above.

**2.2)** Attach Seat(A6) to Left Armrest(C6) using Bolts(①), and Washers(③) with Allen Key(④) as shown above.

Attach Seat(A6) to Left Armrest(C6) using Bolt(②), and Washer(③) with Allen Key(④) as shown above.

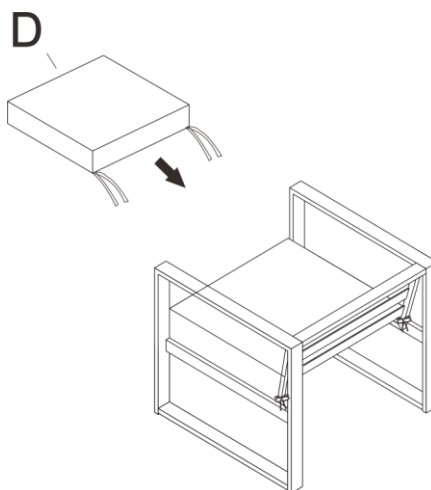
**Tighten the Bolts fully in a sequential manner.**

### Step 3



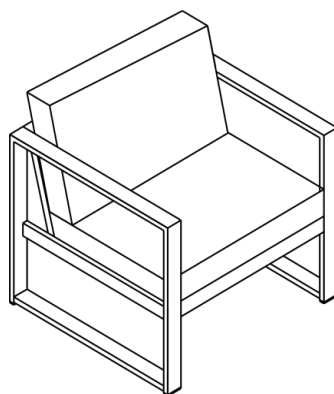
Then, with the assistance from an adult partner, stand the Chair upright.  
Adjust the Pre-installed Levellers until the Chair is level with the ground.  
To adjust the Levellers, with assistance from an adult partner, tilt the Chair to rest on two feet.  
Adjust the levellers to the desired height until the Chair is level.

### Step 4



















Place the Seat Cushion(D) on the Seat(A6).  
Tie the rope to the Seat(A6).



### Step 5



Place the Back Cushion(E) on the Chair.  
Your Chair is ready for use.  
**This Chair can only be used on a flat and level surface.**

## Care & Maintenance

-   ● Do not put hot items directly on furniture surface
-   ● Do not clean furniture with harsh cleansers or polish.
-   ● To obtain the longest lifespan of your outdoor products, minimizing exposure to direct sunlight is recommended.
-   ● Children should not climb or jump on the furniture.
-   ● Do not write on furniture without a padded barrier to protect the surface.
-   ● To obtain the longest lifespan of your outdoor products, avoid extended and lengthy exposure to rain, snow, and direct sunshine. Whenever possible cover the product and /or place under patio or awnings.
-   ● Not for commercial use. For residential use only .
-   ● Stains may be removed with mild soap solution and damp cloth.

- 
-   ● Dust and pick-up spills using a clean, non-colored, lint-free cloth .

### What is Proposition 65?

Proposition 65 is a California law that requires warning labels on products that may contain one of more than 800-plus chemicals or ingredients that the California Office of Environmental Health Hazard Assessment (OEHHA) has deemed to cause cancer or other reproductive toxicity. Chemicals and elements on this list include wood dust, brass, and other everyday substances, which can be found in very common household items, such as: lamps, tableware, jewelry, crystal glasses, electric cords, beauty products, automobiles, and furniture.

### Why Did I Find a Proposition 65 Warning on My Home Goods Product?

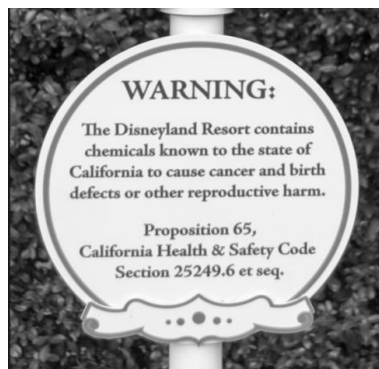
We include Proposition 65 warnings on all of our products because there is always a chance that one of the 800-plus common chemicals and ingredients listed under this law could potentially be on our furniture or packing materials. We risk large fines under this law, if we don't include this warning.

### Should I worry?

We realize you may be worried finding this warning on our products, but we want to reassure you that the hazardous exposure limits for any of these chemicals have never been found on furniture products that we've shipped to our customers. Additionally, this warning label is very common and can be found on almost every piece of furniture sold in the state of California.

### Just How Common Are Proposition 65 Warnings?

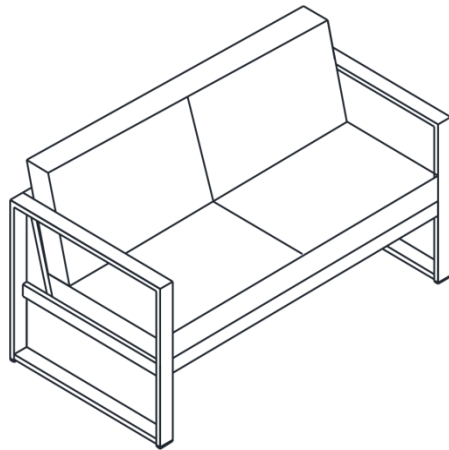
Proposition 65 warnings have become so common in California that it is hard to take a trip to a local bank, grocery store, or restaurant without finding at least one warning. In fact, even the Disney Land Resort has a Proposition 65 warning:



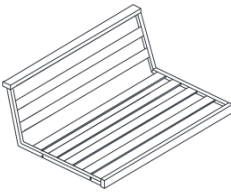
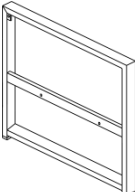
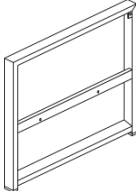
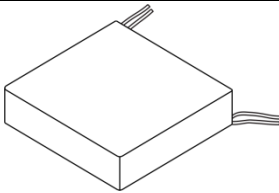
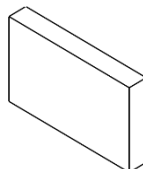
# Assembly Instructions

**Caution : You must read this before you proceed**

## Loveseat



### Parts List

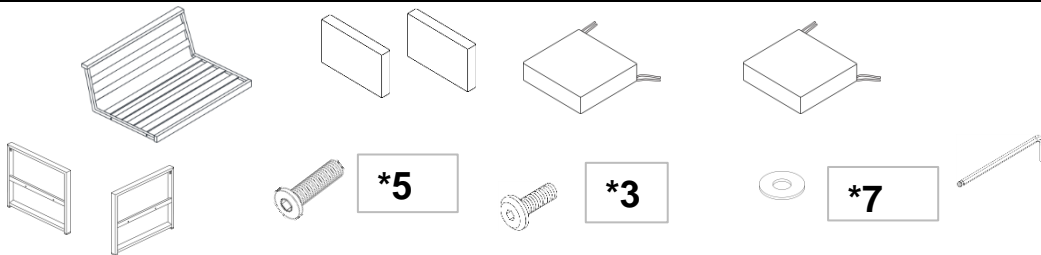
Label	Picture	Description	QTY
A7		Seat	1
B7		Right Armrest(Pre-InstalledLevellers)	1
C7		Left Armrest(Pre-InstalledLevellers)	1
D		Seat Cushion	2
E		Back Cushion	2

# Hardware

Label	Picture	Description	QTY
①		Bolt (M6*40MM)	5
②		Bolt (M6*32MM)	3
③		Washer	7
④		Allen Key	1

# Assembly Preparation

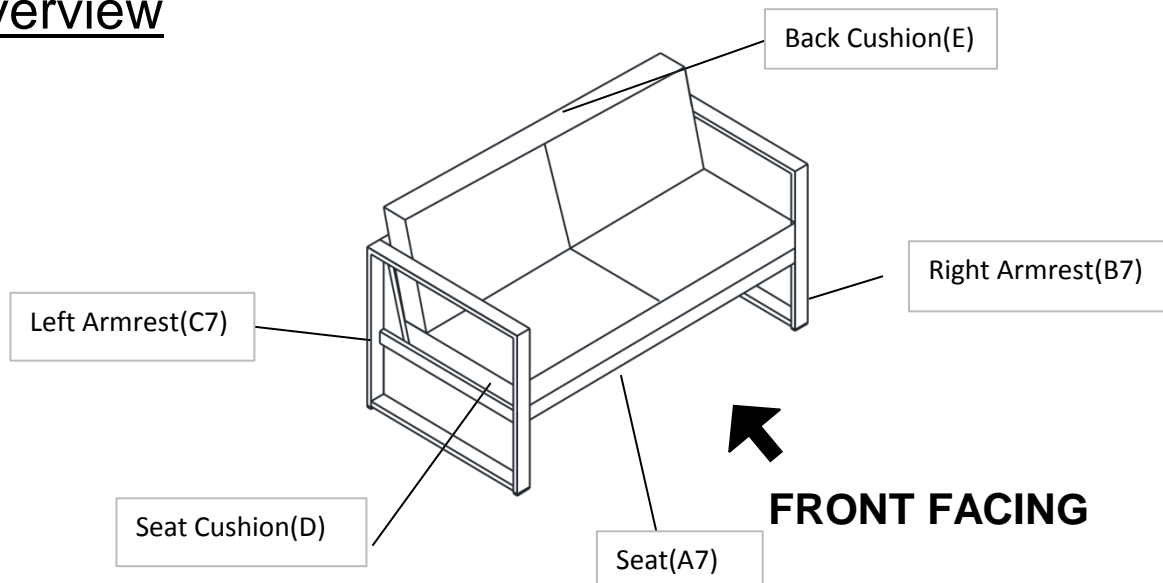
Before Beginning Assembly :



- Read instructions, cover to cover-
- Have 2 adults on hand for assembly-
- Do not assemble on flooring or carpet-
- Assemble on a clean non-marring surface (packing foam)-
- Save all packaging until finished-

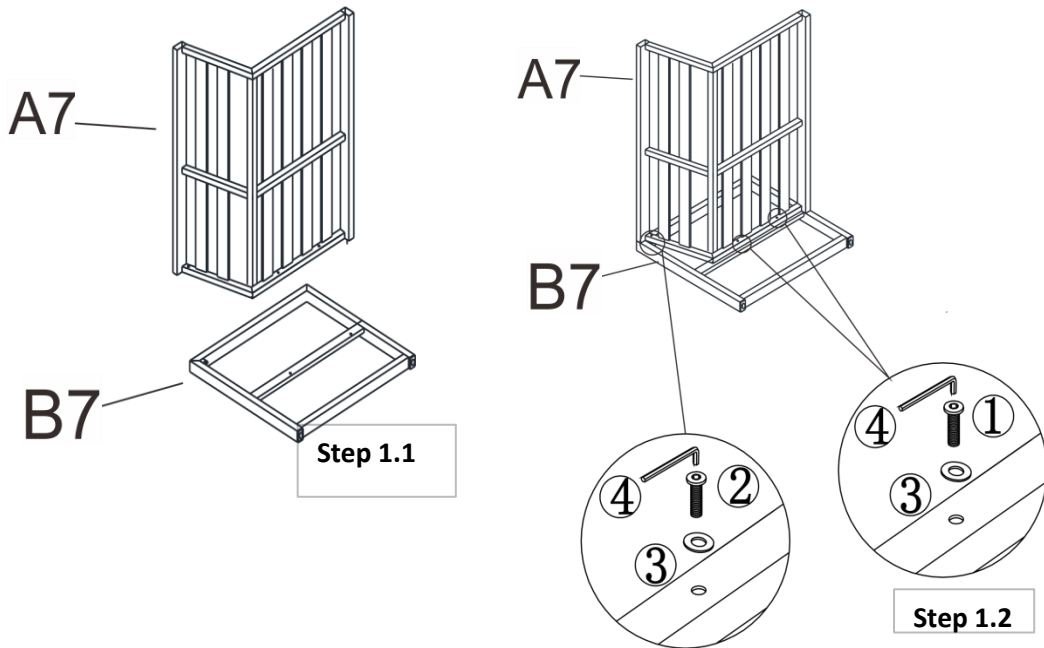
# Assembly Steps

## Overview



This Loveseat has multiple parts and may require up to 30 minutes to assemble. To give you an overview of the Loveseat parts, the above picture is to help you put the various parts into perspective. Please read through the instructions below to familiarise yourself with the parts and steps before assembly.

## Step 1



Open the carton and place all the parts onto a clean, non-marring surface.

Place the Right Armrest(B7) facedown.

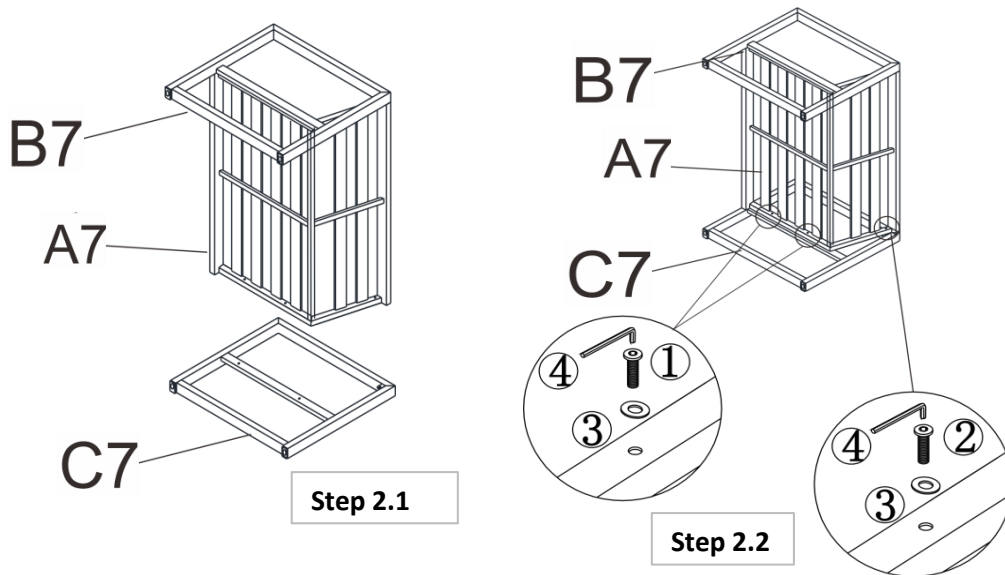
**1.1)** Align Seat(A7) to Right Armrest(B7) as shown above.

**1.2)** Attach Seat(A7) to Right Armrest(B7) using Bolts(①), and Washers(③) with Allen Key(④) as shown above.

Attach Seat(A7) to Right Armrest(B7) using Bolt(②), and Washer(③) with Allen Key(④) as shown above.

**Tighten the Bolts fully in a sequential manner.**

## Step 2



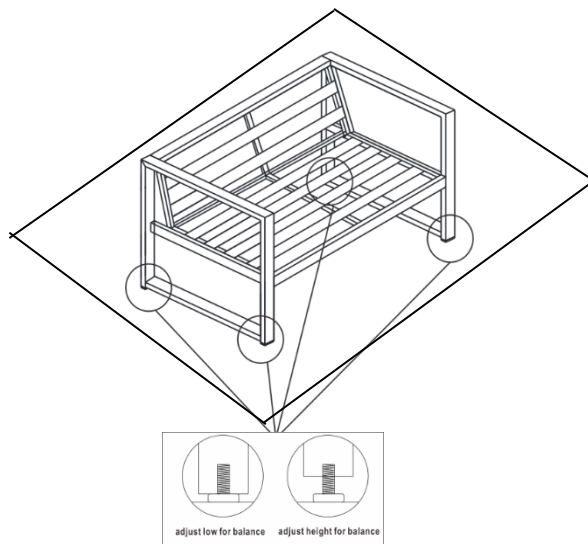
**2.1)** Align Seat(A7) to Left Armrest(C7) as shown above.

**2.2)** Attach Seat(A7) to Left Armrest(C7) using Bolts(①), and Washers(③) with Allen Key(④) as shown above.

Attach Seat(A7) to Left Armrest(C7) using Bolt(②), and Washer(③) with Allen Key(④) as shown above.

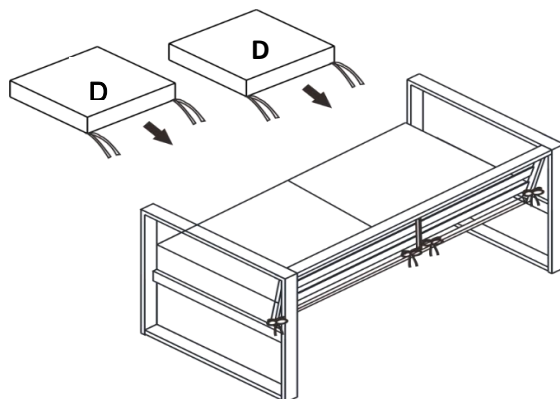
**Tighten the Bolts fully in a sequential manner.**

### Step 3



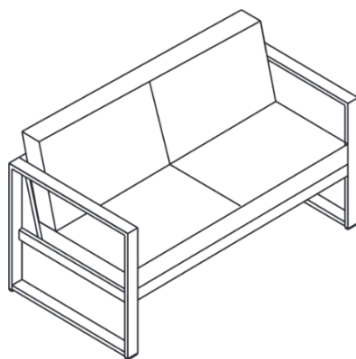
Then, with the assistance from an adult partner, stand the Loveseat upright. Adjust the Pre-installed Levellers until the Loveseat is level with the ground. To adjust the Levellers, with assistance from an adult partner, tilt the Loveseat to rest on two feet. Adjust the levellers to the desired height until the Loveseat is level.

### Step 4



















Place the Seat Cushions(D) on the Seat(A7). Tie the rope to the Seat(A7).



### Step 5



Place the Back Cushions(E) on the Loveseat. Your Loveseat is ready for use.  
**This Loveseat can only be used on a flat and level surface.**

## Care & Maintenance

-   ● Do not put hot items directly on furniture surface
-   ● Do not clean furniture with harsh cleansers or polish.
-   ● To obtain the longest lifespan of your outdoor products, minimizing exposure to direct sunlight is recommended.
-   ● Children should not climb or jump on the furniture.
-   ● Do not write on furniture without a padded barrier to protect the surface.
-   ● To obtain the longest lifespan of your outdoor products, avoid extended and lengthy exposure to rain, snow, and direct sunshine. Whenever possible cover the product and /or place under patio or awnings.
-   ● Not for commercial use. For residential use only .
-   ● Stains may be removed with mild soap solution and damp cloth.

- 
-   ● Dust and pick-up spills using a clean, non-colored, lint-free cloth .

### What is Proposition 65?

Proposition 65 is a California law that requires warning labels on products that may contain one of more than 800-plus chemicals or ingredients that the California Office of Environmental Health Hazard Assessment (OEHHA) has deemed to cause cancer or other reproductive toxicity. Chemicals and elements on this list include wood dust, brass, and other everyday substances, which can be found in very common household items, such as: lamps, tableware, jewelry, crystal glasses, electric cords, beauty products, automobiles, and furniture.

### Why Did I Find a Proposition 65 Warning on My Home Goods Product?

We include Proposition 65 warnings on all of our products because there is always a chance that one of the 800-plus common chemicals and ingredients listed under this law could potentially be on our furniture or packing materials. We risk large fines under this law, if we don't include this warning.

### Should I worry?

We realize you may be worried finding this warning on our products, but we want to reassure you that the hazardous exposure limits for any of these chemicals have never been found on furniture products that we've shipped to our customers. Additionally, this warning label is very common and can be found on almost every piece of furniture sold in the state of California.

### Just How Common Are Proposition 65 Warnings?

Proposition 65 warnings have become so common in California that it is hard to take a trip to a local bank, grocery store, or restaurant without finding at least one warning. In fact, even the Disney Land Resort has a Proposition 65 warning:

