

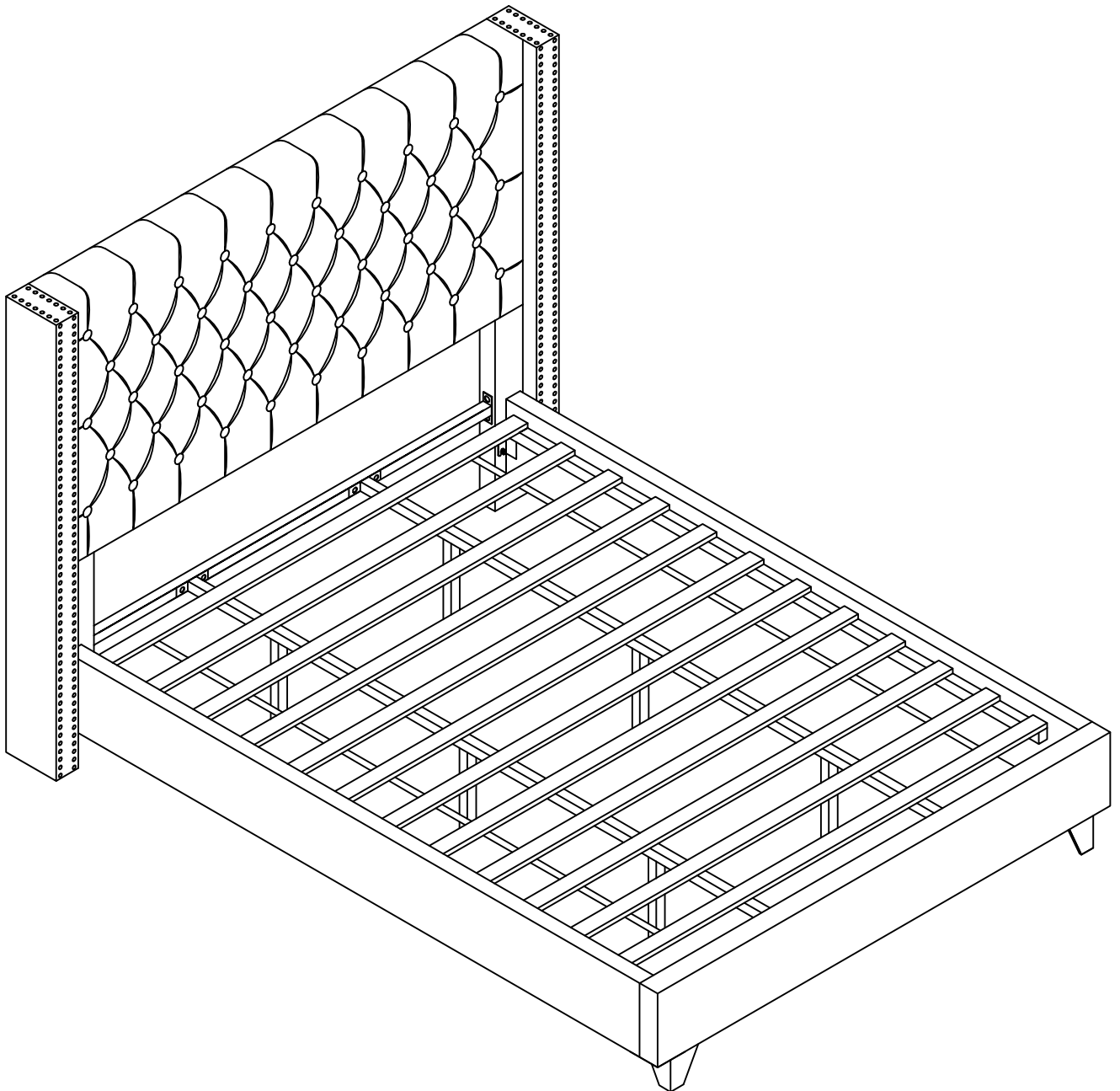
ASSEMBLY INSTRUCTION

ITEM NO: CKING&EKING

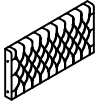









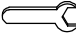

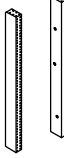
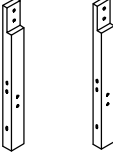

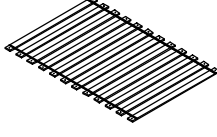
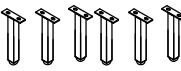
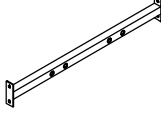
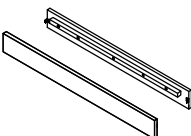
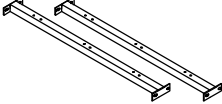
IMPORTANT: PLACE ALL PARTS ON A CLEAN AND SMOOTH SURFACE SUCH AS A RUG OR CARPET TO AVOID THE PARTS FROM BEING SCRATCHED

KINDLY FOLLOW THE ASSEMBLY INSTRUCTIONS STEP

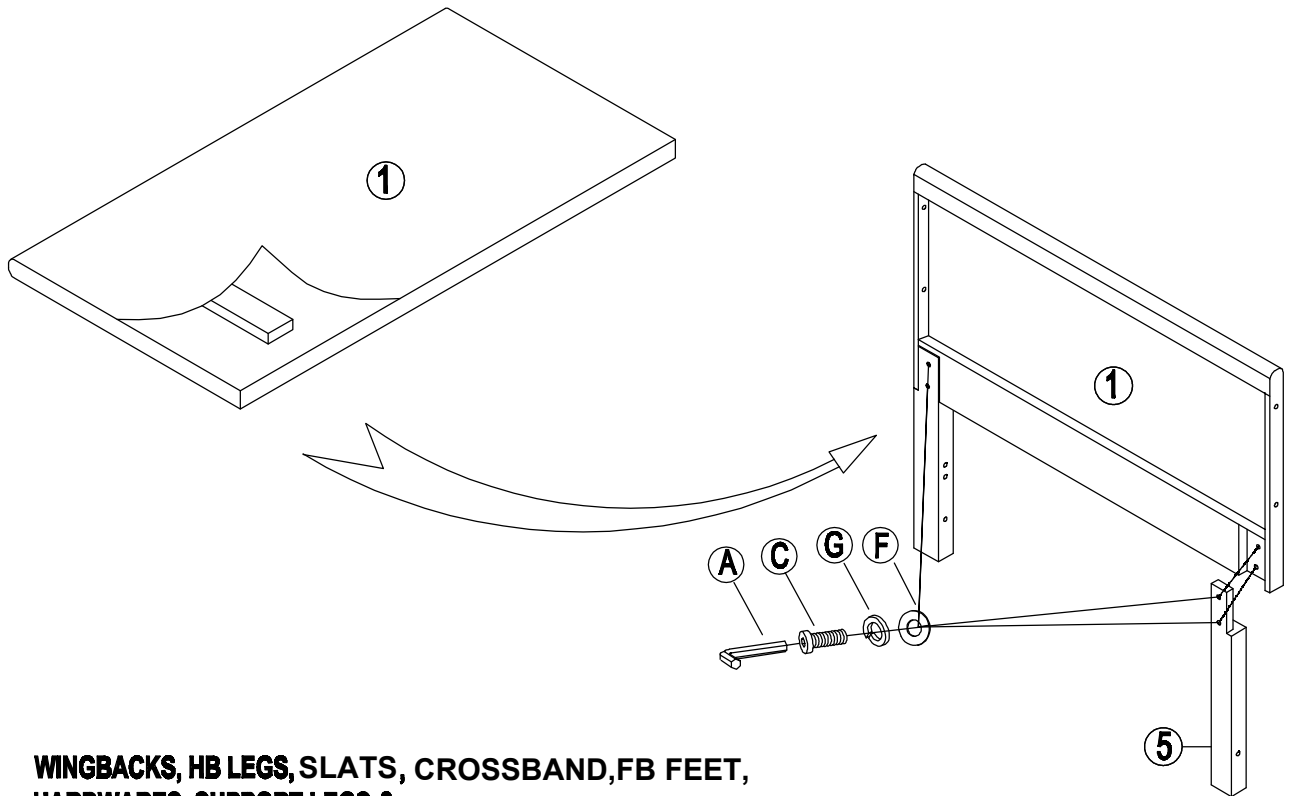
DO NOT TIGHTEN ALL SCREWS UNTIL THE BED IS FULLY SET-UP



Bed is packed in 2 carton

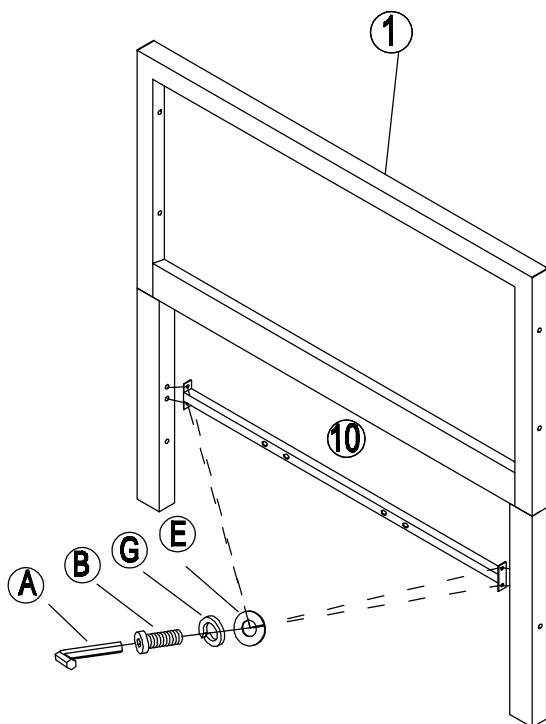
Carton	Disignation	Part	Hardware
610-CK/EK-HB	1.Headboard		 #A x 1pc  #B x 16pcs  #C x 24pcs  #D x 2pcs  #E x 76pcs  #F x 10pcs  #G x 30pcs  #H x 26pcs  #I x 16pcs  #Jx 1pc  #K x 2pcs
	4.Wingback (2pcs)		
	5.HB Leg (2pcs)		
	6.FB Feet (2pcs)		
	7.Slats(12pcs)		
	9.Support Leg (6pcs)		
	10.Crossband		
	610-CK/EK-FB/SR	2.Footboard	
3.Side Rail (2pcs)			
8.Support Rail (2PCS)			

STEP 1

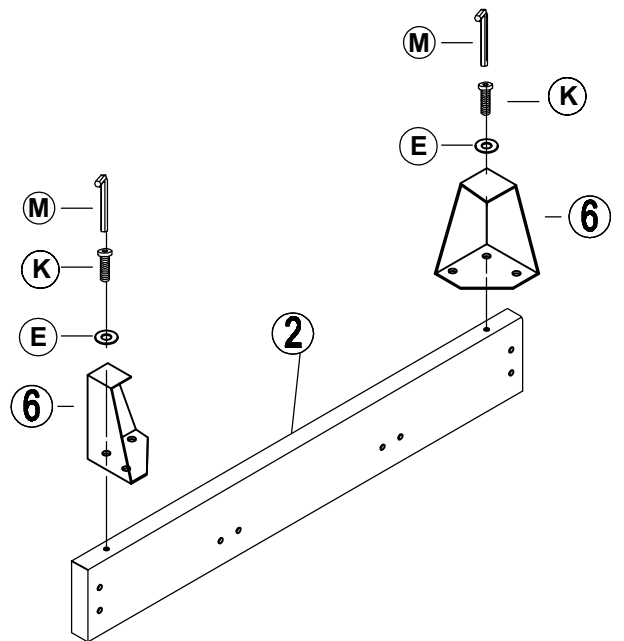


**WINGBACKS, HB LEGS, SLATS, CROSSBAND, FB FEET,
HARDWARES, SUPPORT LEGS &
ASSEMBLE INSTRUCTION HIDDEN INSIDE OF
THE HEADBOARD, PLZ LIFT THE COVER .**

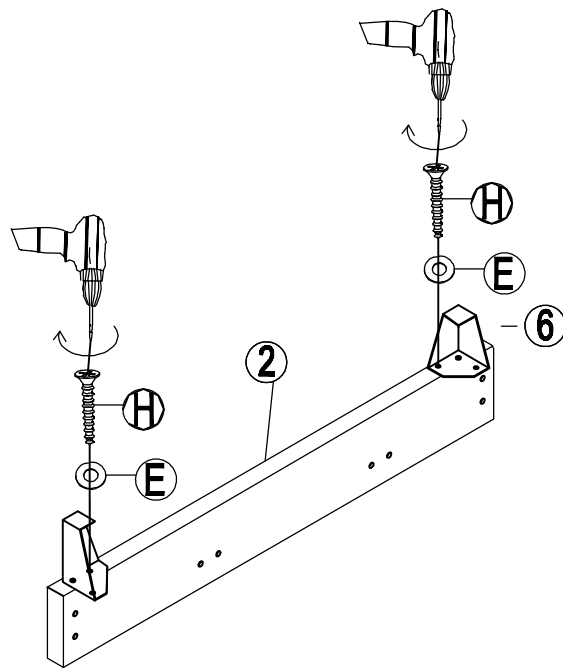
STEP 2



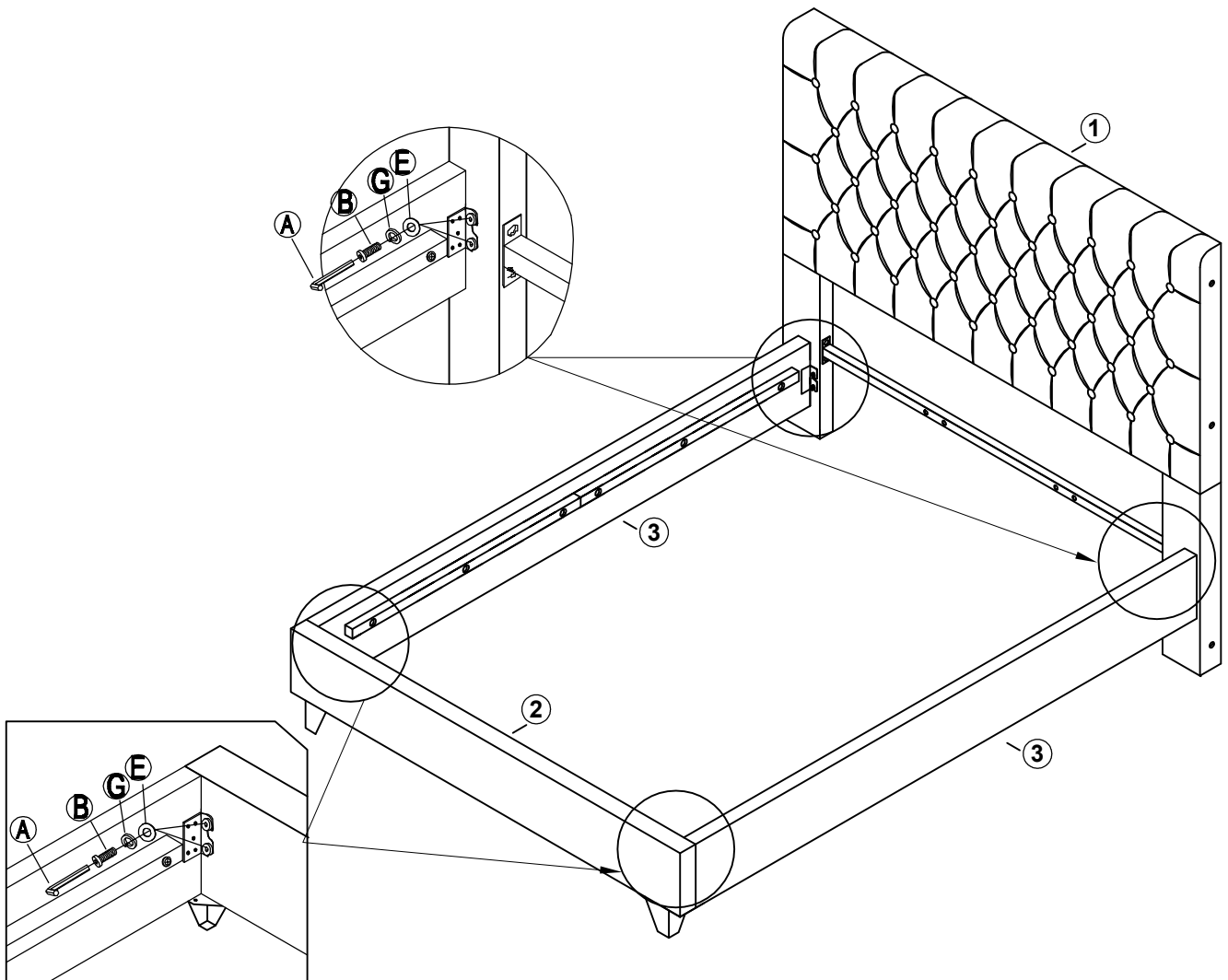
STEP 3



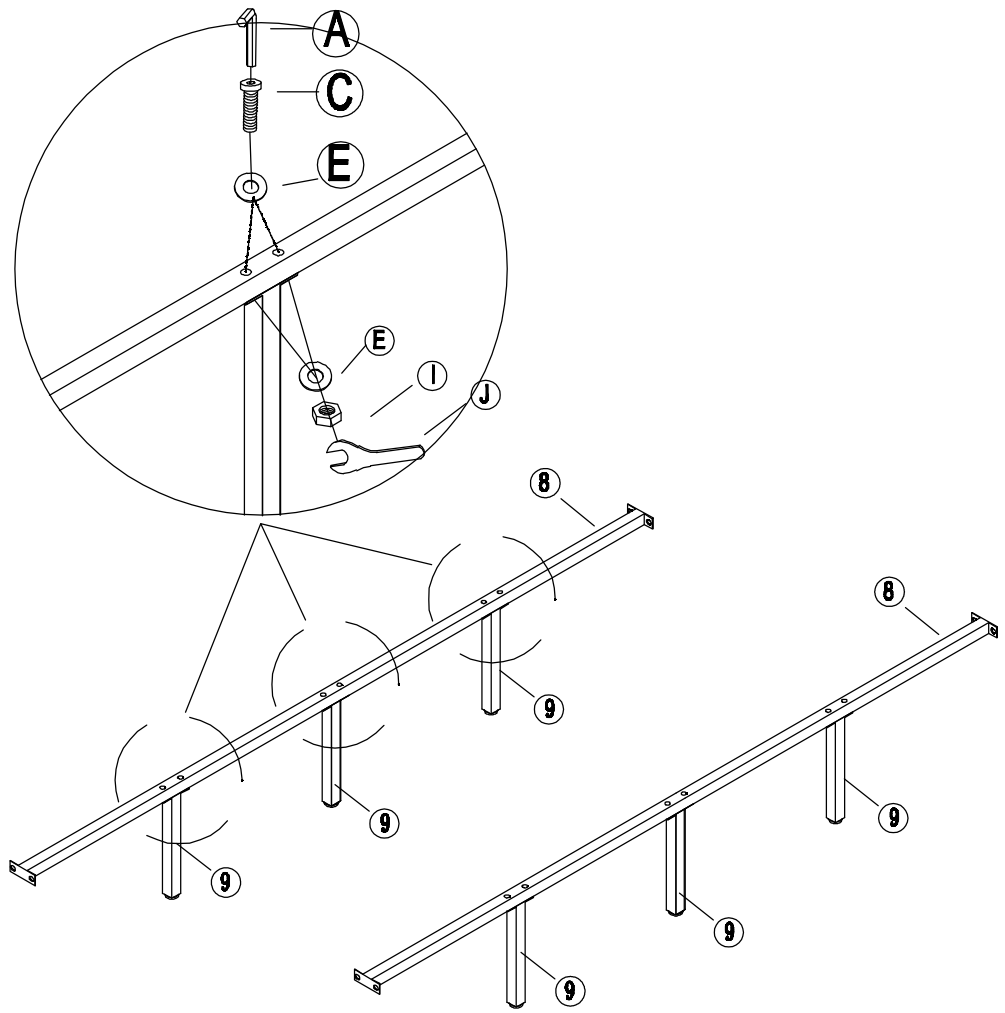
STEP 4



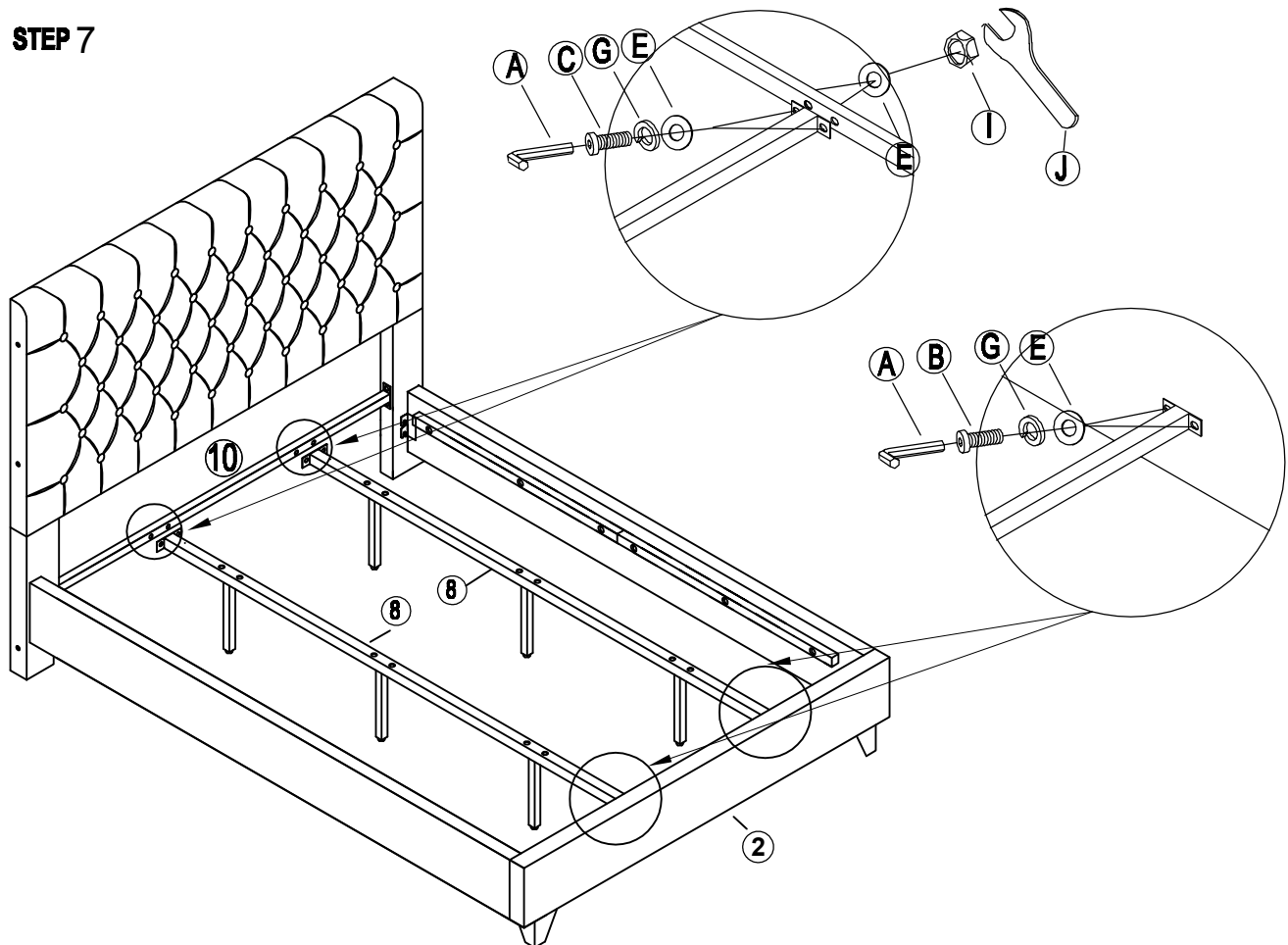
STEP 5



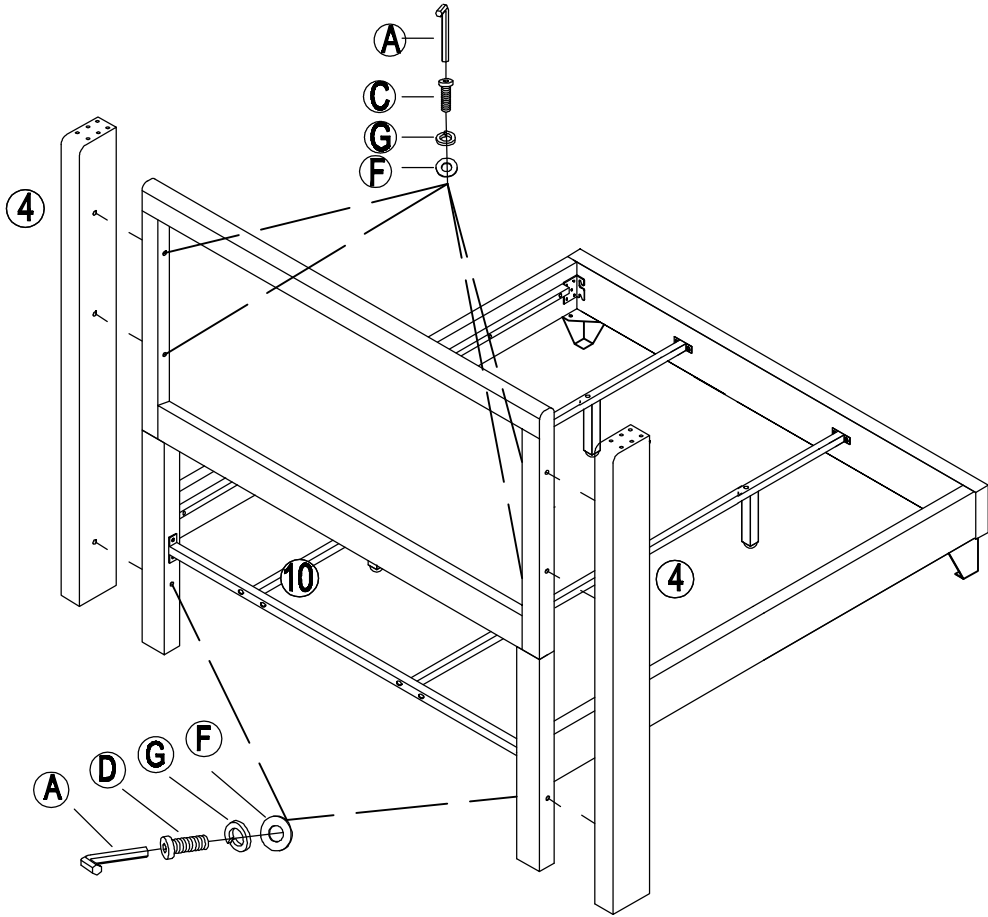
STEP 6



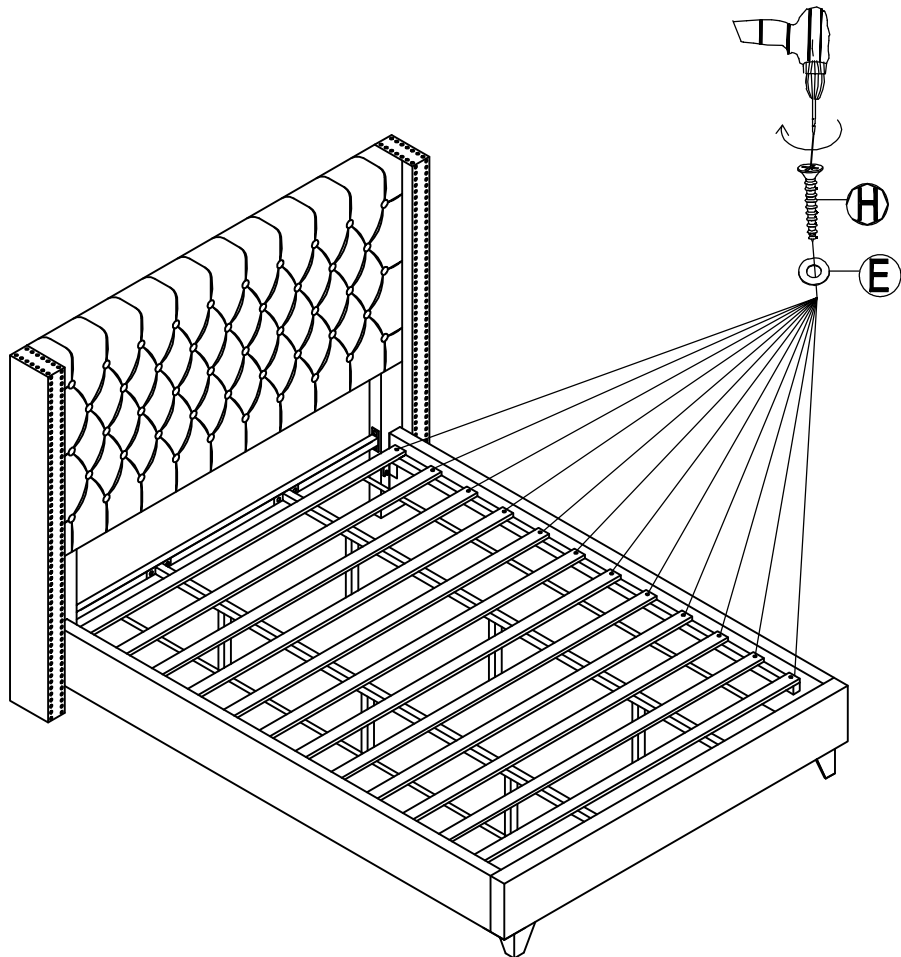
STEP 7



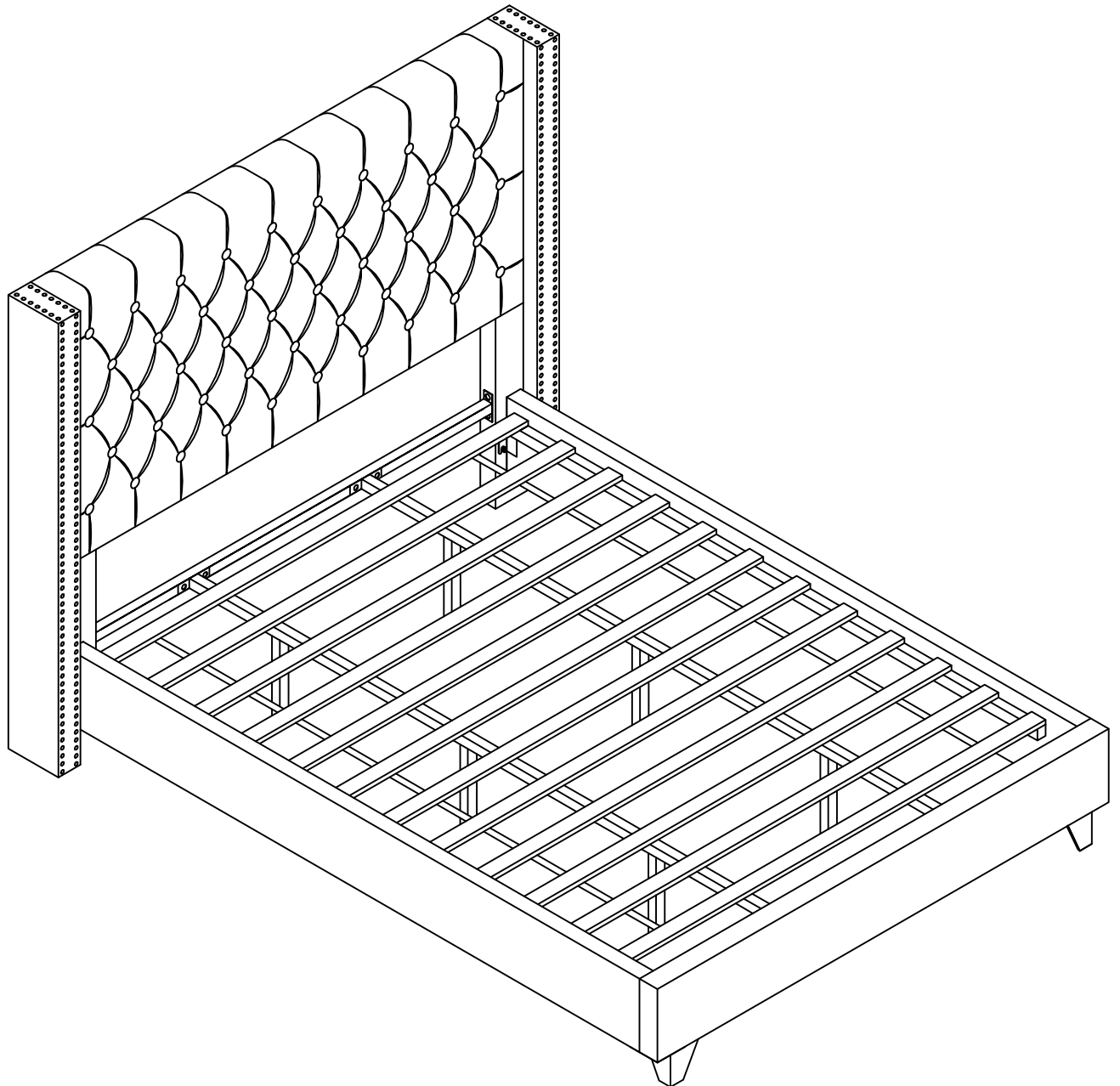
STEP 8



STEP 9



STEP 10



FINAL