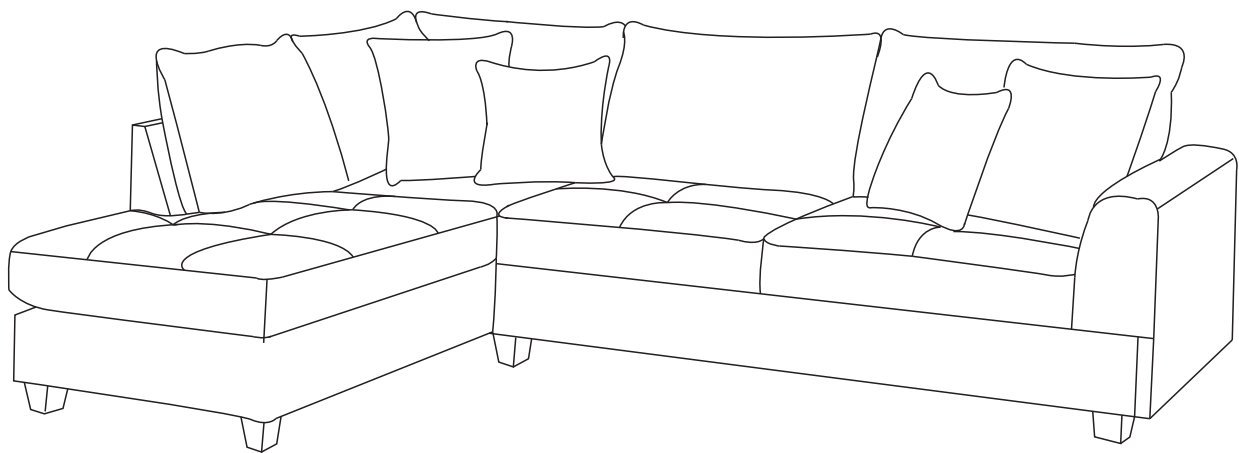


NOTICE BEFORE ASSEMBLY

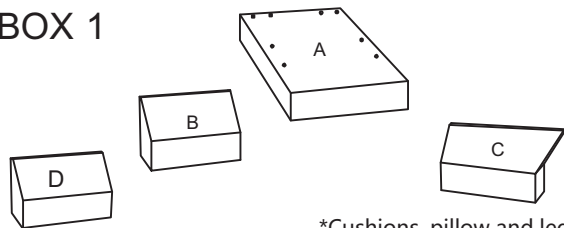
Please choose the CHAISE to be on the LEFT or RIGHT hand side

Assembly Instruction II:CHAISE ON THE LEFT



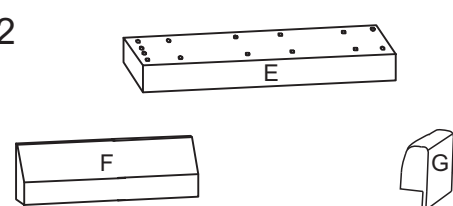
PARTS LIST

BOX 1



*Cushions, pillow and legs included

BOX 2



*Cushions, pillow and legs included

1  x11

2  x11

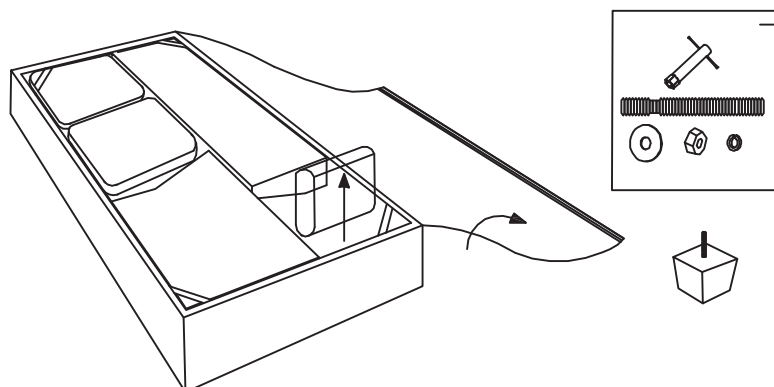
3  x11

4  x11

5  x2

6  x8

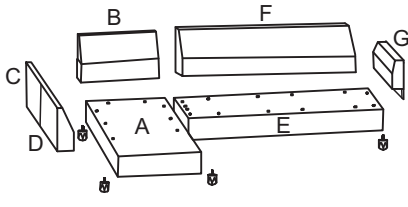
BEFORE ASSEMBLY



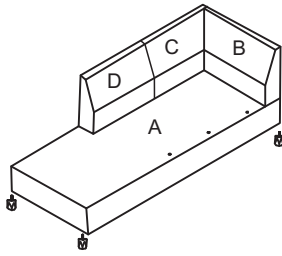
Open up the Velcro of Non-Woven Fabric cover on the bottom of the seat frame to remove seat cushions, back cushions and pillow

*****PLEASE REMOVE ALL PARTS FROM SEAT FRAMES AND SEAT BACKS BEFORE ASSEMBLY*****

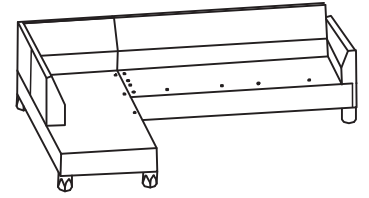
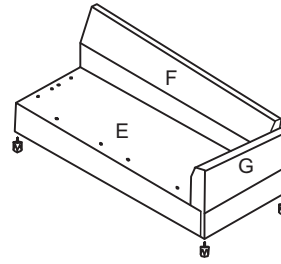
CHAISE ON THE LEFT



CHAISE BOX-1



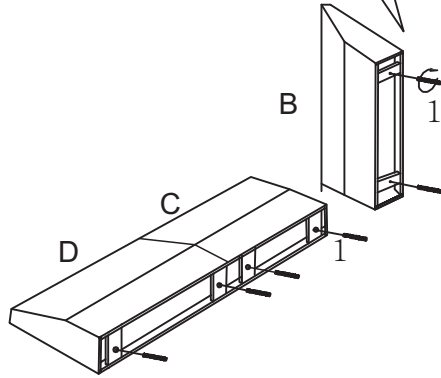
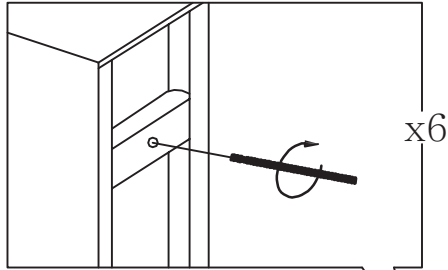
SOFA BOX-2



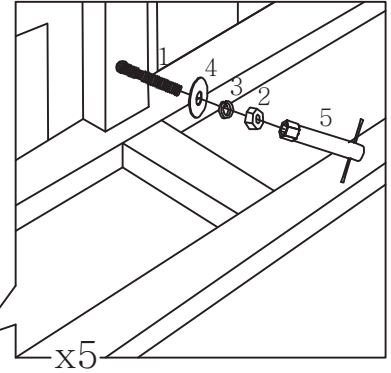
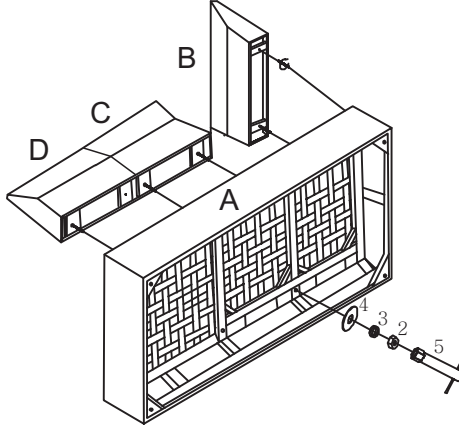
CHAISE ASSEMBLY INSTRUCTION BOX-1

STEP 1- INSERT THREADED ROD INTO SEAT BACKS

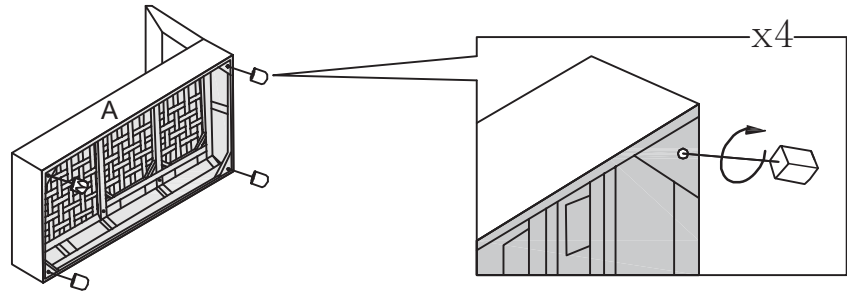
*Stop when the rod starts coming out on the other end



STEP 2- MOUNTED SEAT BACKS INTO THE SEAT FRAME

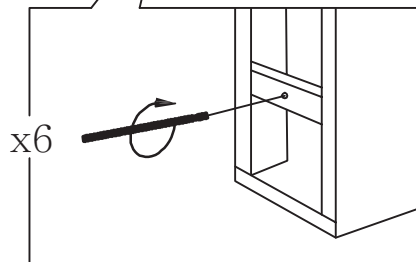
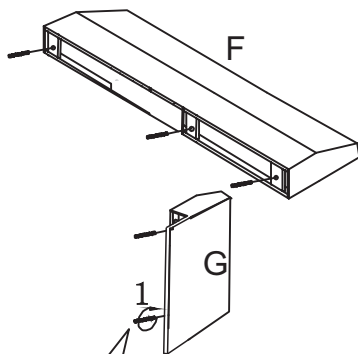


STEP 3- PUT BACK THE FABRIC COVER AND INSERT LEGS



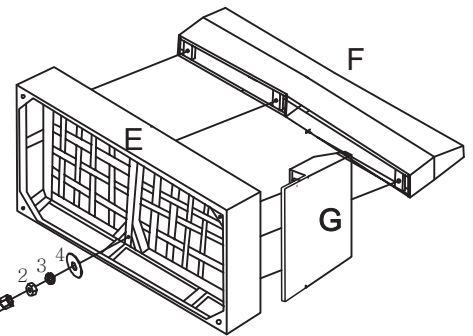
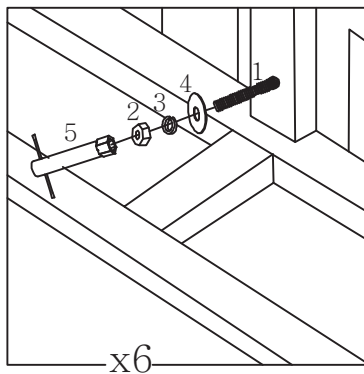
SOFA ASSEMBLY INSTRUCTION BOX-2

STEP 1- INSERT THREADED ROD INTO SEAT BACKS

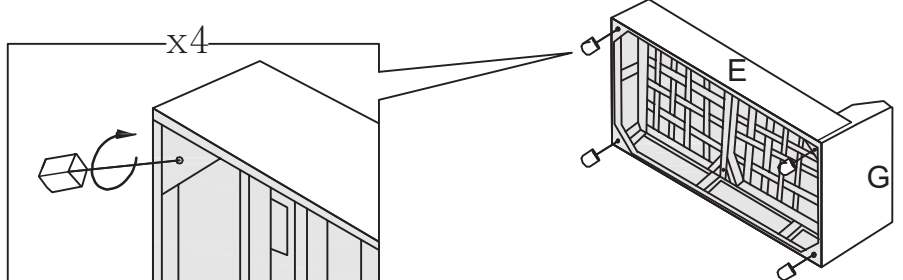


*Stop when the rod starts coming out on the other end

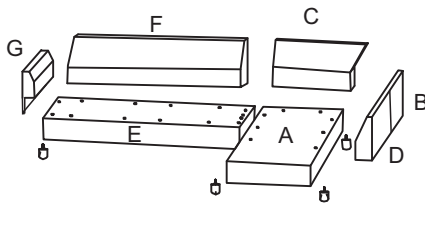
STEP 2- MOUNTED SEAT BACKS INTO THE SEAT FRAME



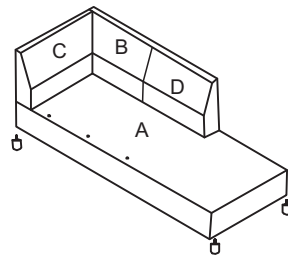
STEP 3- PUT BACK THE FABRIC COVER AND INSERT LEGS



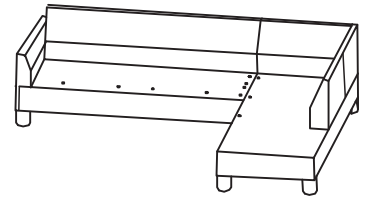
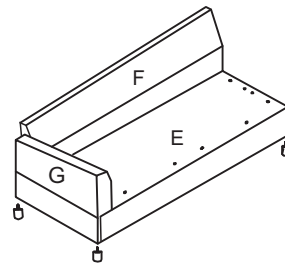
CHAISE ON THE LEFT



CHAISE BOX-1



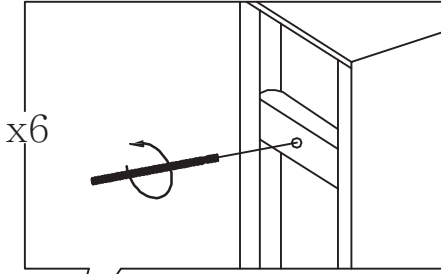
SOFA BOX-2



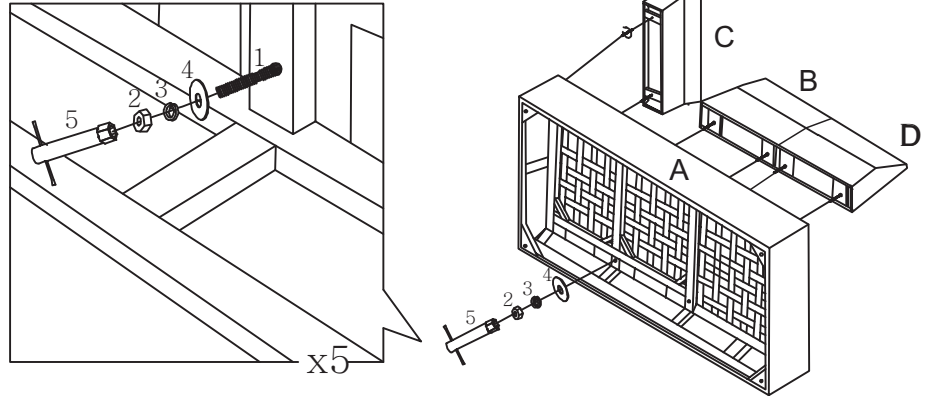
CHAISE ASSEMBLY INSTRUCTION BOX-1

STEP 1 - INSERT THREADED ROD INTO SEAT BACKS

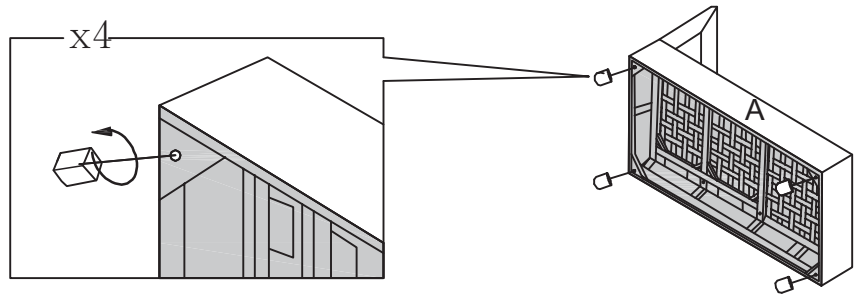
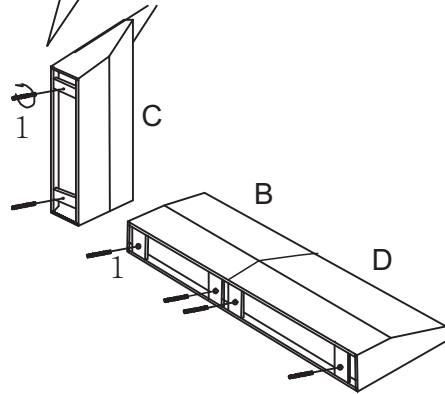
*Stop when the rod starts coming out on the other end



STEP 2 - MOUNTED SEAT BACKS INTO THE SEAT FRAME

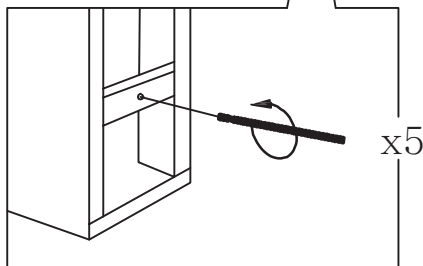
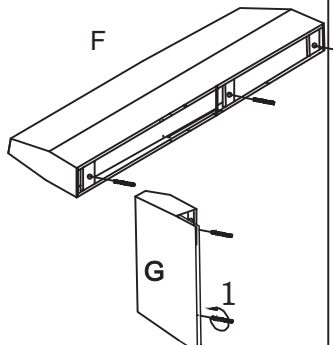


STEP 3 - PUT BACK THE FABRIC COVER AND INSERT LEGS



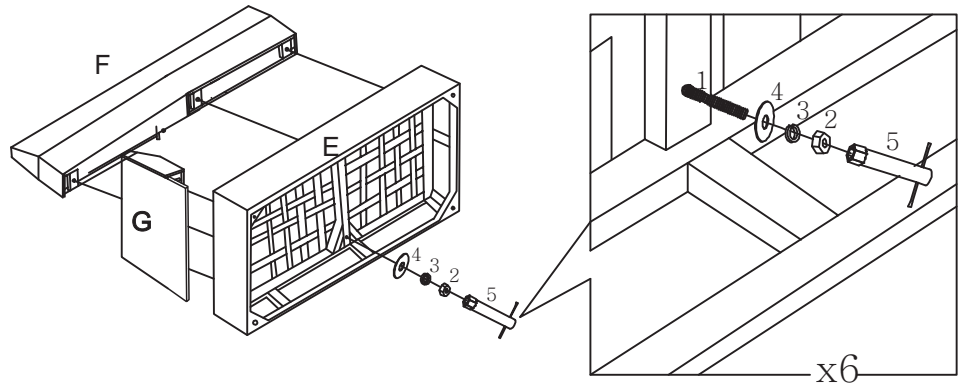
SOFA ASSEMBLY INSTRUCTION BOX-2

STEP 1 - INSERT THREADED ROD INTO SEAT BACKS



*Stop when the rod starts coming out on the other end

STEP 2 - MOUNTED SEAT BACKS INTO THE SEAT FRAME



STEP 3 - PUT BACK THE FABRIC COVER AND INSERT LEGS

