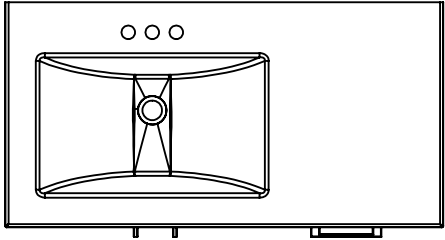
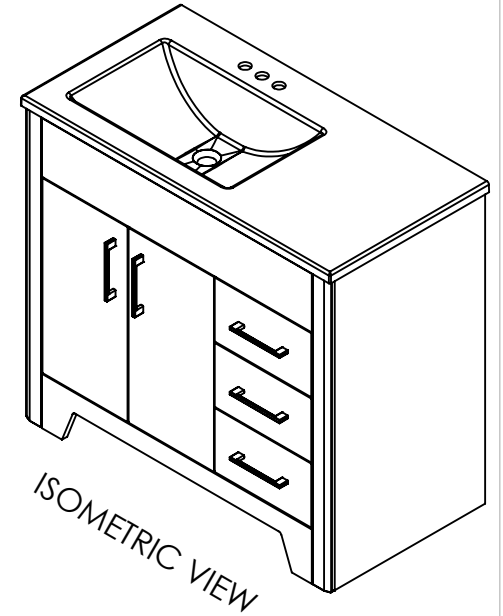


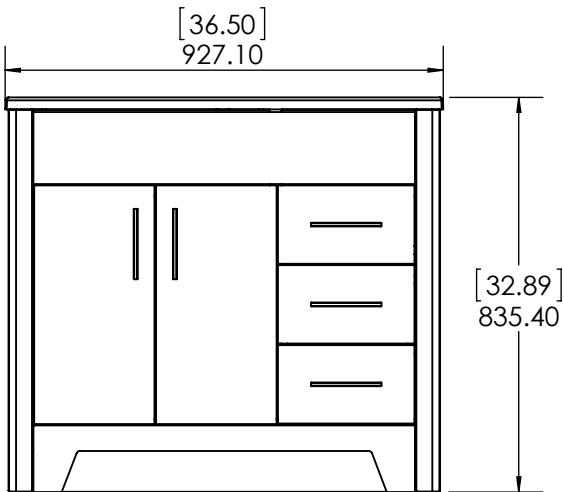
ONLY FOR REFERENCE



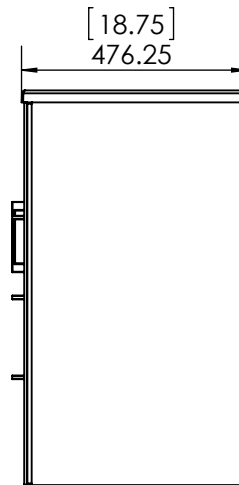
TOP VIEW



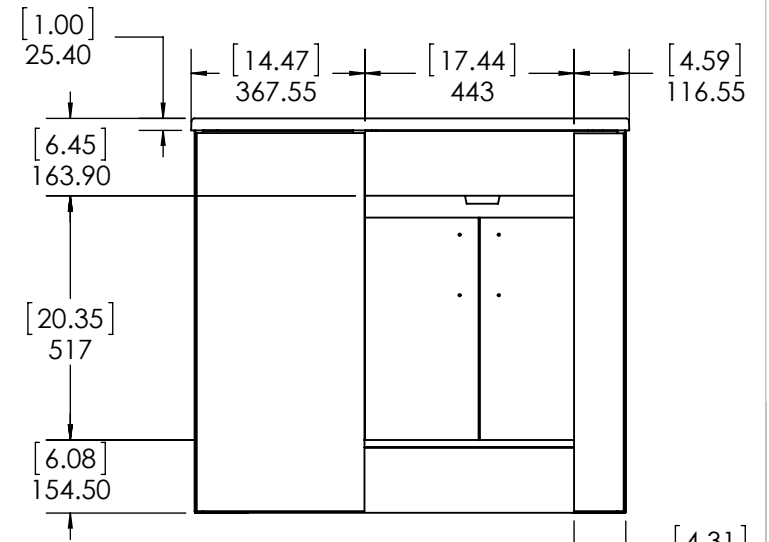
ISOMETRIC VIEW



FRONT VIEW



SIDE VIEW

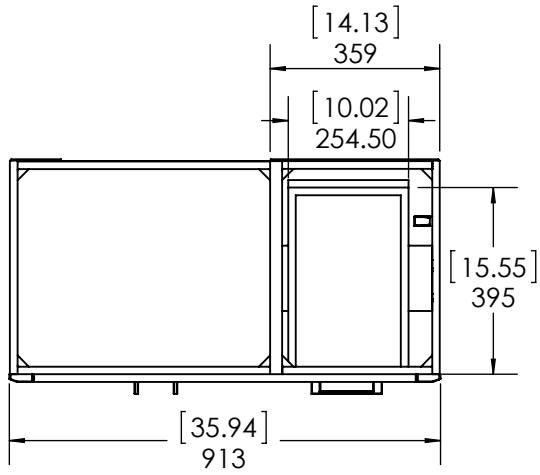


BACK VIEW

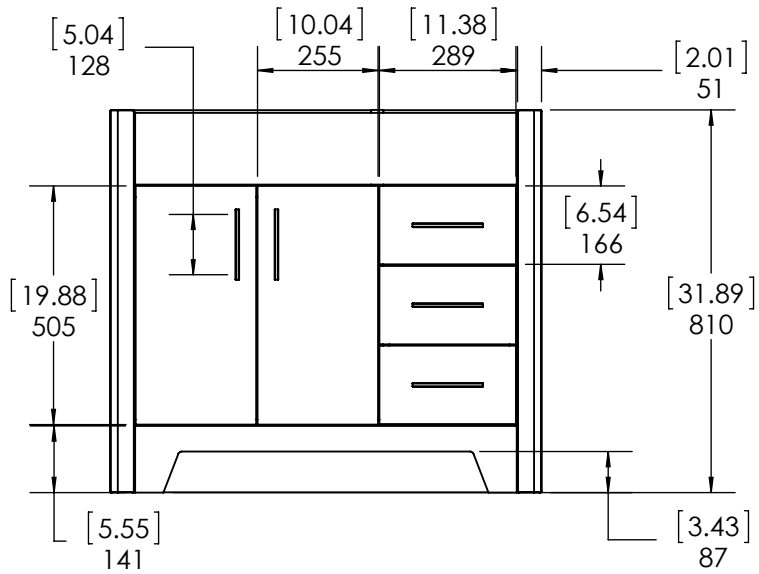
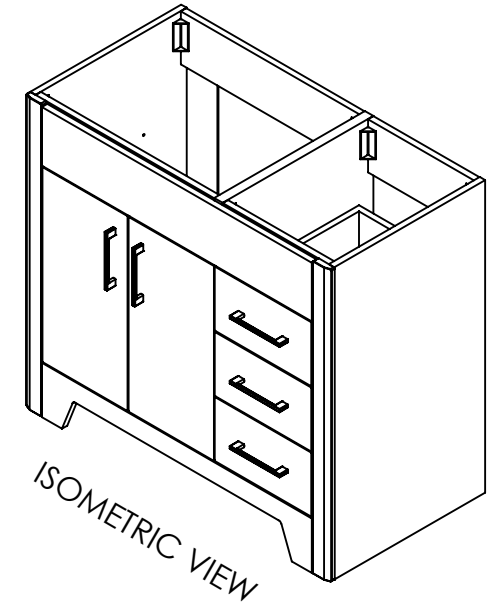
ITEM:			REV
			A
NAME:			
MATERIAL: ----			

DWR	GUMV	04/09/24
REV	ING	
APR	R&D	

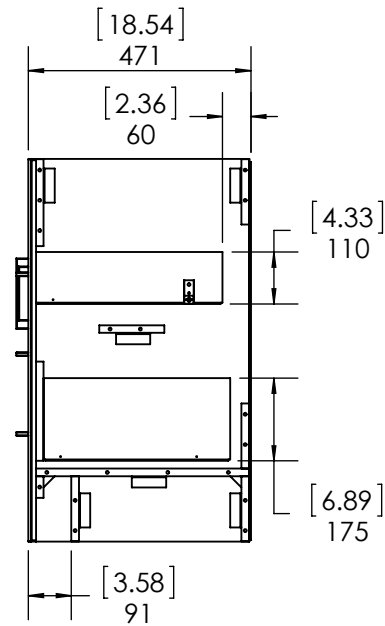
ONLY FOR REFERENCE



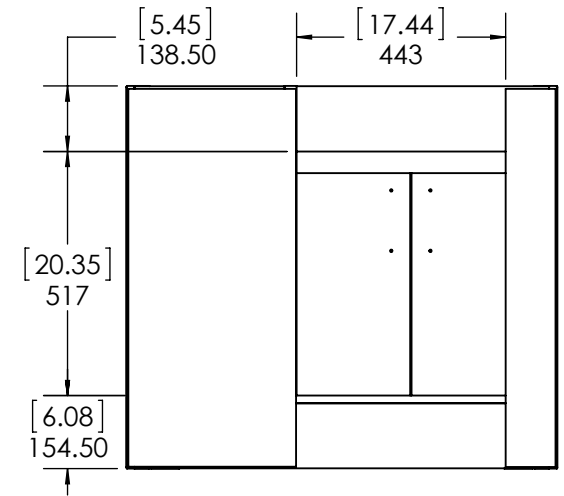
TOP VIEW



FRONT VIEW



SIDE VIEW



BACK VIEW

ITEM: _____ REV **A**

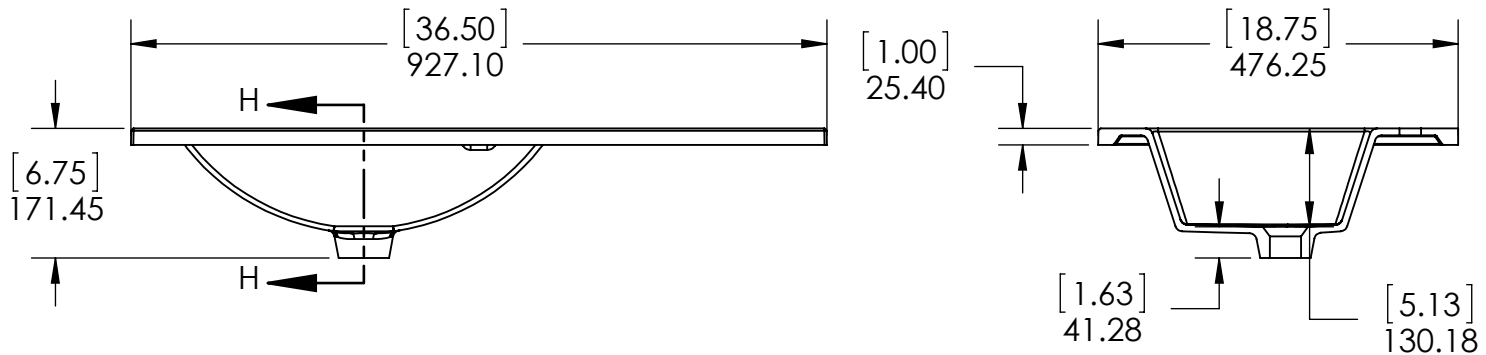
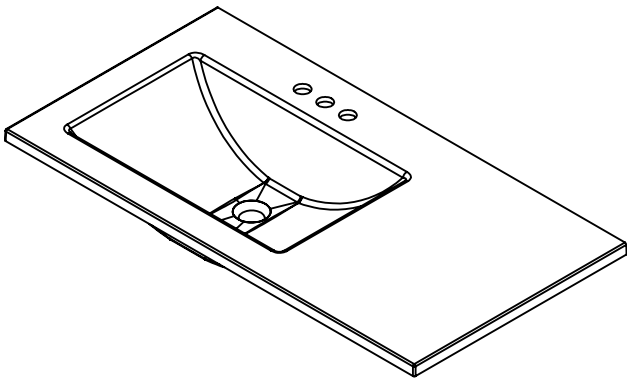
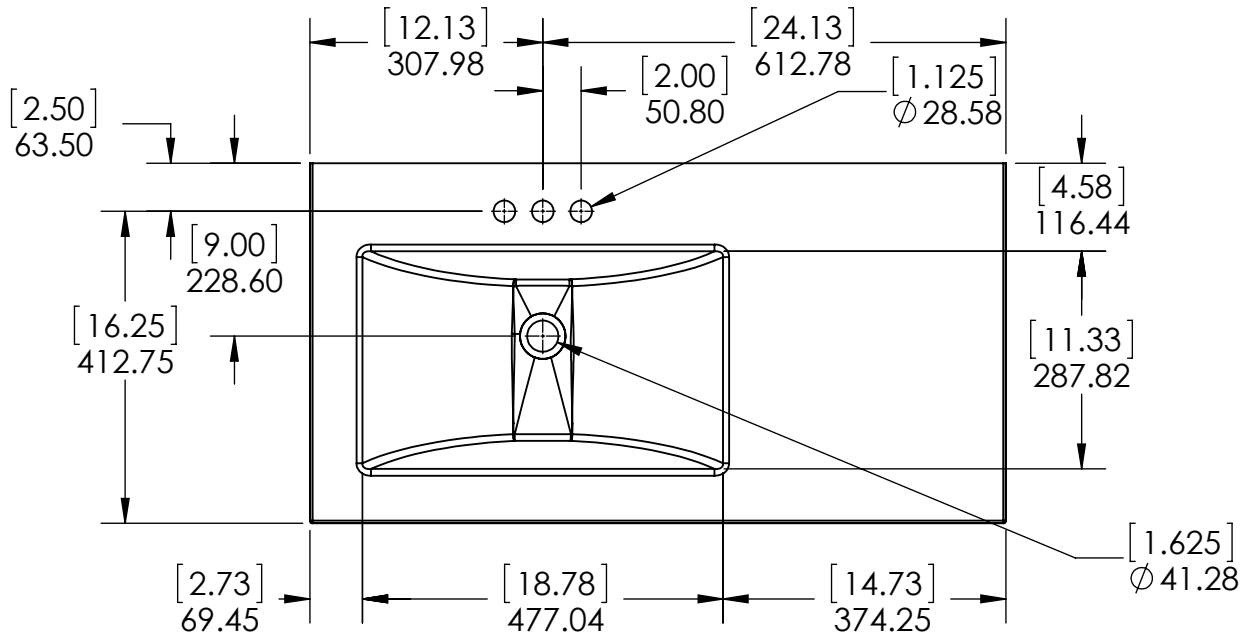
NAME: _____

DWR	GUMV	04/09/24
REV	ING	
APR	R&D	

MATERIAL: _____

ID	Description	Technology	Status
595202	Top, Alpine 36.50x18.75in (New Packaging)	AB Composite	Approved for production

Rev #	Approved by	Change
0	R. Rubio	Released



PROPRIETARY AND CONFIDENTIAL
 THE INFORMATION CONTAINED IN THIS DRAWING IS THE
 SOLE PROPERTY OF WOODCRAFTERS. ANY
 REPRODUCTION IN PART OR AS A WHOLE WITHOUT THE
 WRITTEN PERMISSION OF WOODCRAFTERS IS PROHIBITED.

UNLESS OTHERWISE SPECIFIED
 DIMENSIONS ARE IN MM.
 AND (INCHES)
 TOLERANCES ARE
 +0.125 [3.175] -0.125 [-3.175]
 SCALE:1:10

	NAME	DATE
DRAWN	J. Martinez	07/15/16
CHECKED	E. Sandoval	07/15/16
ENG APPR.	R. Rubio	07/15/16
MFG APPR.	C. Leal	07/15/16

SIZE DWG. NO. **A** Top, Alpine 36.25x18.75in (New Packaging) SHEET 1 OF 1 REV: **0**