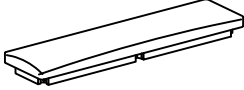


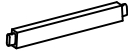



ASSEMBLY INSTRUCTIONS




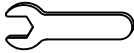
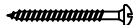
Thank you for purchasing this quality product . Be sure to check all packaging material carefully for small parts that may have come loose inside the carton during shipment .

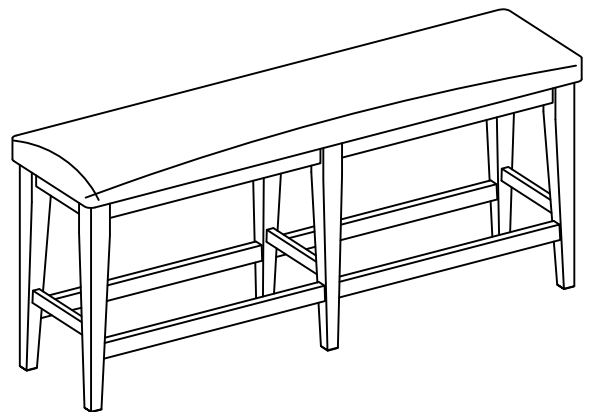
"Hardware is attached underneath the seat bottom"

Components List :

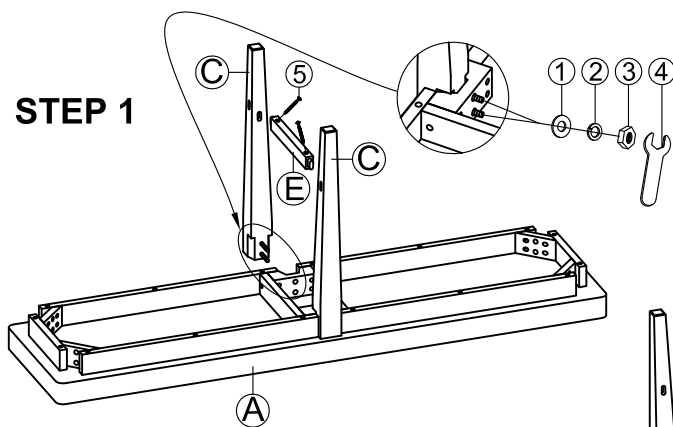
| | | | | | |
|-----------------------------|---|------|---------------|---|------|
| A. Seat Frame |  | 1pc | D. Front rail |  | 4pcs |
| B. Chair Leg (Left - Right) |  | 4pcs | E. Side rail |  | 3pcs |
| C. Reinforced Leg |  | 2pcs | | | |

Hardware List :

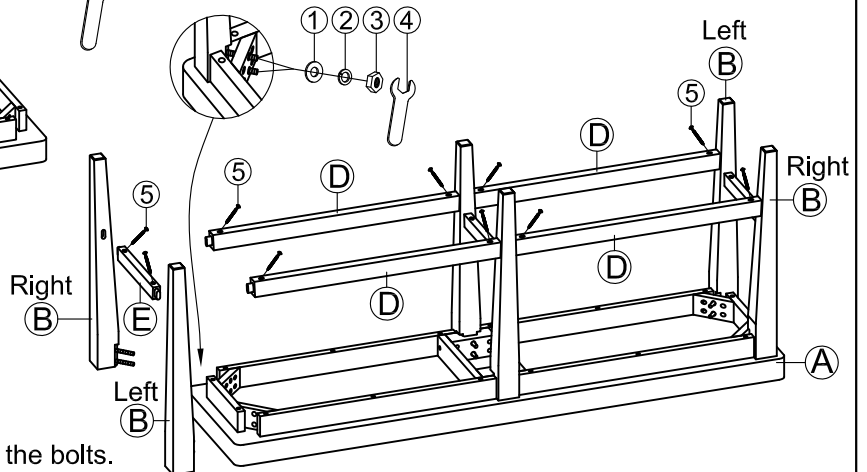
| | | |
|--|---|-------|
| 1. Flat Washer $\phi 19 \times 5/16"$ |  | 12pcs |
| 2. Spring Washer $\phi 13 \times 5/16"$ |  | 12pcs |
| 3. Hex-Nut 5/16" |  | 12pcs |
| 4. Wrench 12x75mm |  | 1pc |
| 5. Wood Screw $\phi 8 \times 50 \text{mm}$ |  | 14pcs |



STEP 1



STEP 2



Reminders

1. Use only the hardware supplied.
2. Once the chair is finished, level and tighten all the bolts.
3. Do not over-tighten bolts.
4. This item may require periodic tightening.

Step1: Place the Seat frame (A) up side down on the floor with a piece of cloth or carpet underneath to prevent the finish from scratching . Attach the Reinforced Leg (C) to the Seat frame (A) and secure with Flat washer (1), Spring washer (2) and Hex-nut (3). Tighten Hex-nut (3) with Wrench (4). Repeat this step for the remaining Reinforced Leg. At the same time, Attach the Side Rail (E) to Reinforced Leg (C), using Wood Screws (5)

Step2: Assemble Side Rail (E) to Left - Right Chair leg (B) using Wood Screw (5). Attach the Front Rail (D) to the Reinforced Leg (C) and Left - Right Chair leg (B), using Wood Screws (5). At the same time, attach the Left - Right Chair leg (B) and Side Rail (E) to the Seat frame corner (A) and secure with Flat washer (1), Spring washer (2) and Hex-nut (3). Tighten Hex-nut (3) with Wrench (4). Repeat this step for the remaining Chair Leg, Front Rail and Side Rail.

Assembly is now complete

Thank you for choosing this product.