

ASSEMBLY INSTRUCTION

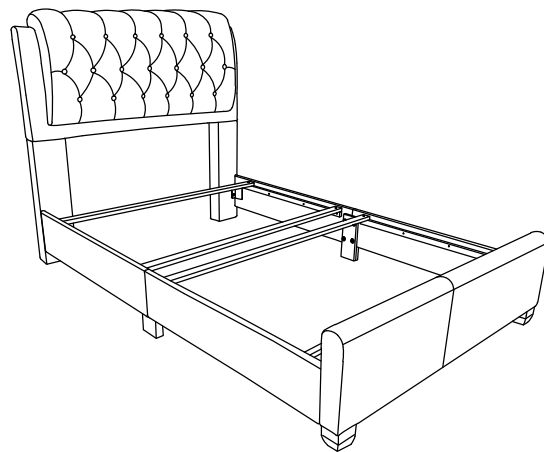
TWIN BED

IMPORTANT SAFETY NOTICE READ CAREFULLY BEFORE BEGINNING ASSEMBLY!

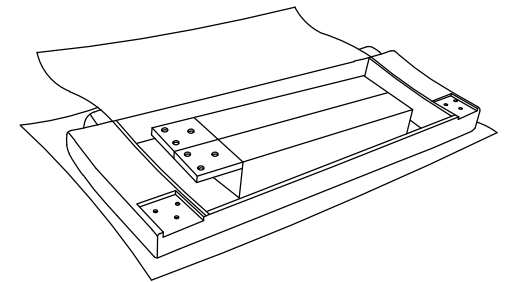
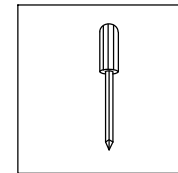
- * Before you begin, please read Assembly Instruction carefully and recognized the parts and hardware and follow the assembly step in order. Do not skip any steps.
- * Place parts on the carton while installing to prevent damage or scratches. Be sure to check all packing materials carefully for small parts may have come loose inside the cartoon during shipment. If parts are missing, contact the retailer from which your purchased the product to obtain any missing part. **DO NOT USE SUBTITUTE PART.**
- * Do not stand on tables, including but not limited to, end tables, coffee tables, and dinner tables, as tables are not to support the weight of a person, use a step ladder in order to assembly upper item.
- * Where assembly instructions state that the assembly requires two or more people, do not attempt by yourself as there is a risk injury.

NOTE: GLORY FURNITURE DISCLAIMS ANY LIABILITY FOR DAMAGES OR INJURIES WHICH MAY OCCUR DUE TO FAILURE TO PROPERLY FOLLOW ASSEMBLY INSTRUCTION, PROPERLY ASSEMBLY THE PRODUCT, OR PROPERLY USE THE PRODUCT.

NOTE: YOUR UNIT MAY LOOK DIFFERENT IN APPEARANCE FROM THE ONE SHOWN IN THE ILLUSTRATIONS ON THE INSTRUCTION SHEET.



Required Tools : Screwdriver



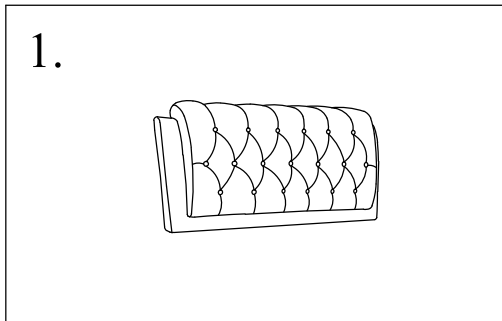
Please place on the carton while installing to prevent damage or scratches.



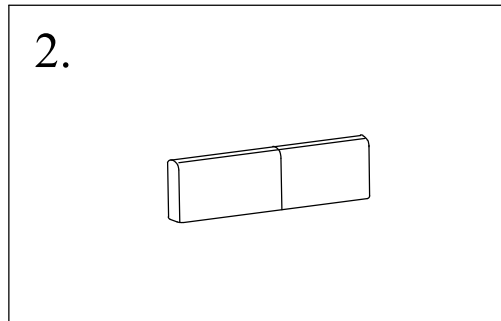
ASSEMBLY INSTRUCTION

TWIN BED

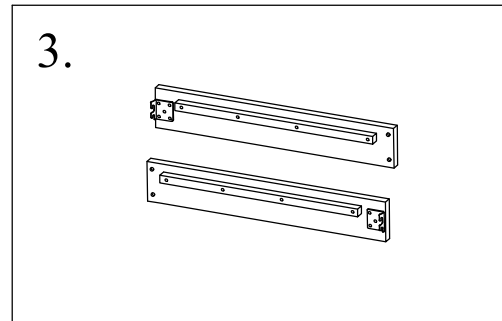
ASSEMBLY PART



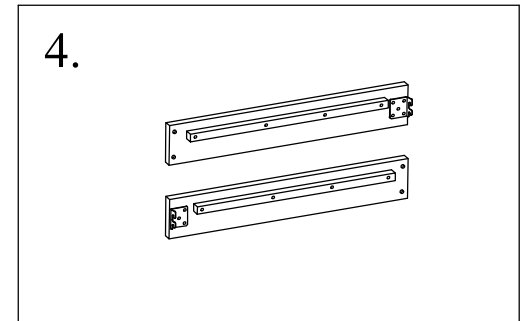
Headboard Panel | 1 Pc



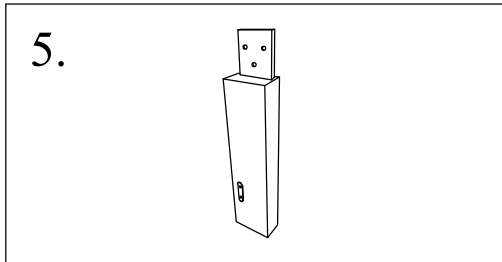
Footboard Panel | 1 Pc



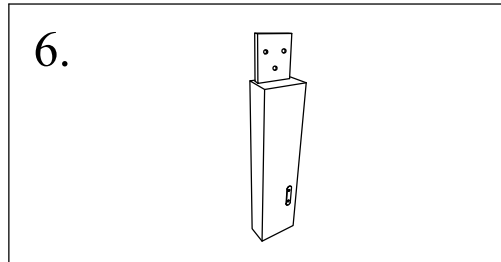
Side Rail Right | 2 Pcs



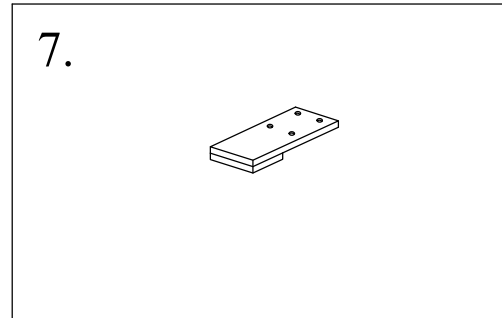
Side Rail Left | 2 Pcs



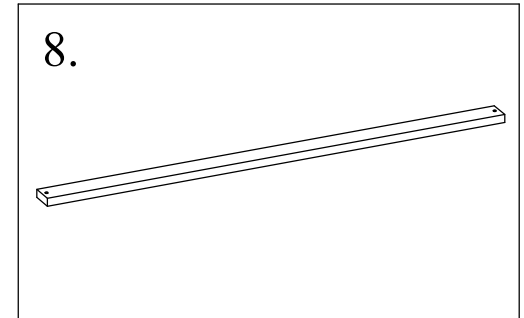
Headboard Left Leg | 1 Pc



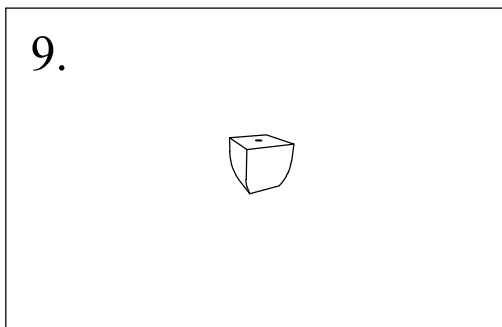
Headboard Right Leg | 1 Pc



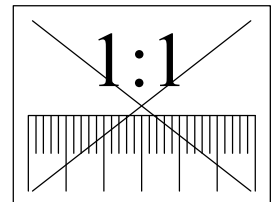
Side Rail Leg | 2 Pcs



Slats | 4 Pcs



Footboard Leg | 2 Pcs




ASSEMBLY INSTRUCTION

TWIN BED

HARDWARE DESCRIPTION

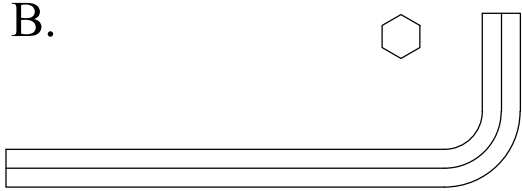
A.



Allen Key M4

1 PC

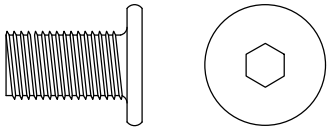
B.



Allen Key M5

1 PC

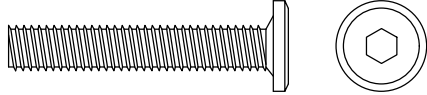
C.



JCBB Bolt
M8 x 16mm

8PCS

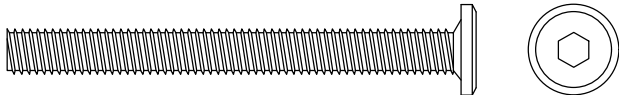
D.



JCBC Bolt
M6 x 35mm

14PCS

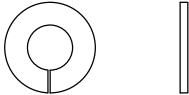
E.



JCBC Bolt
M6 x 60mm

2PCS

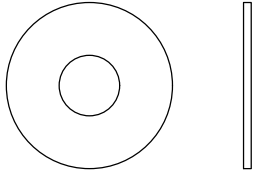
F.



Spring Washer M6

14PCS

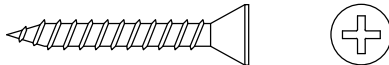
G.



Flat Washer M8

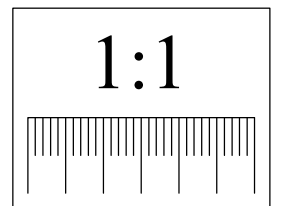
14PCS

H.



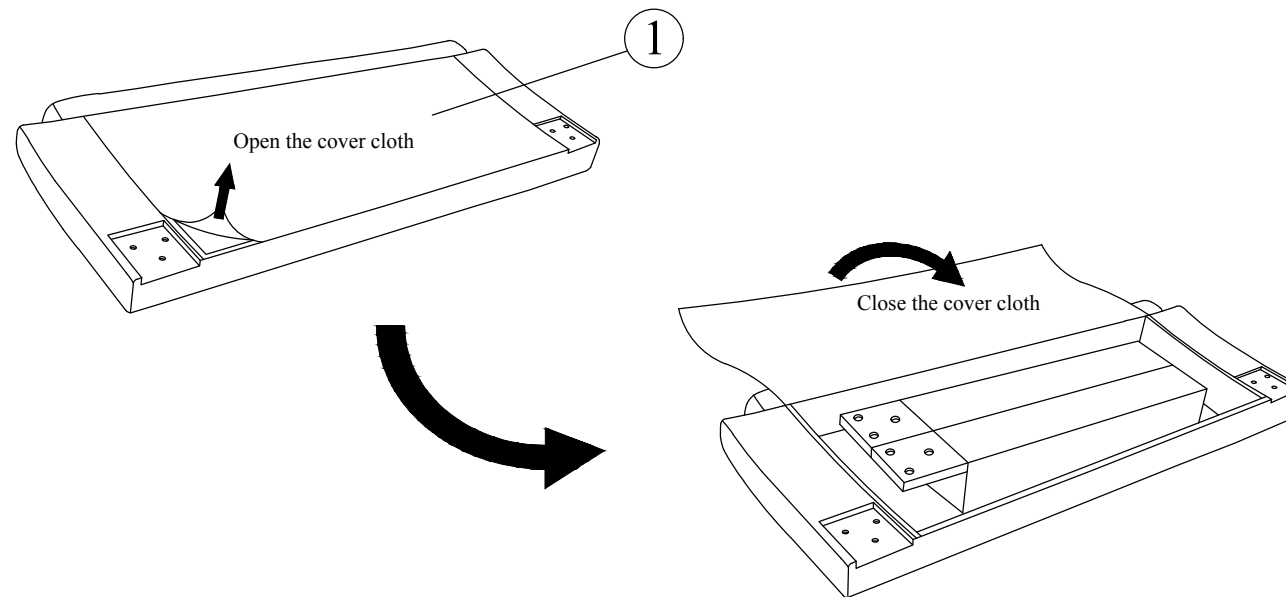
CBS Screw
M4 x 32mm

8PCS



STEP 1.

Open the cover cloth, take out the part list inside, close the cover cloth.

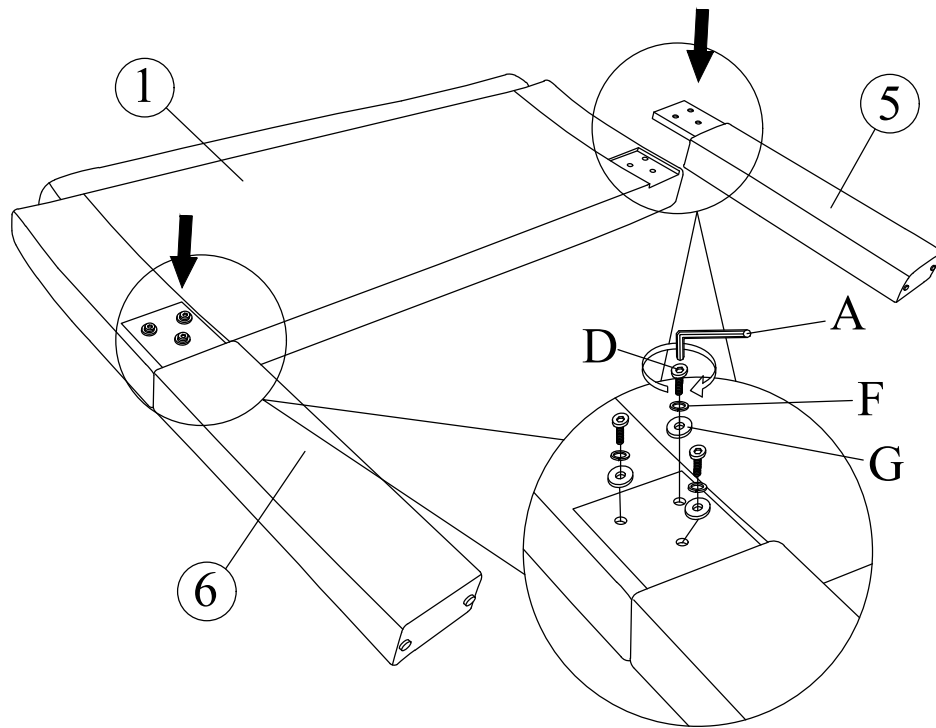


ASSEMBLY INSTRUCTION

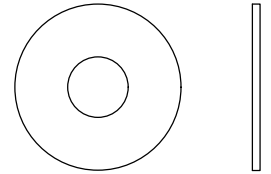
TWIN BED

STEP 2.

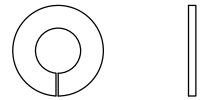
Attach the Headboard Left Leg (5) and Headboard Right Leg (6) to Headboard Panel (1). Use JCBC Bolt (D), Spring Washer (F), Flat Washer (G) and Allen key M4 (A) to fix.



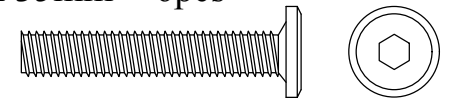
G - Flat Washer M8 - 6pcs



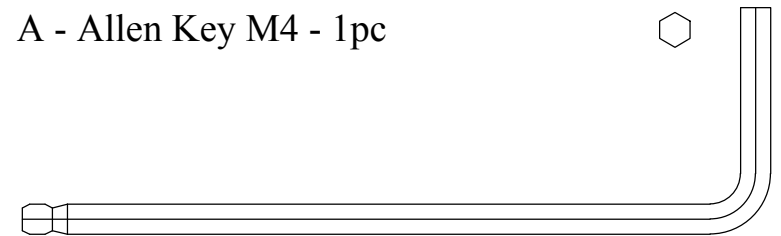
F - Spring Washer M6 - 6pcs



D - JCBC Bolt M6 x 35mm - 6pcs



A - Allen Key M4 - 1pc

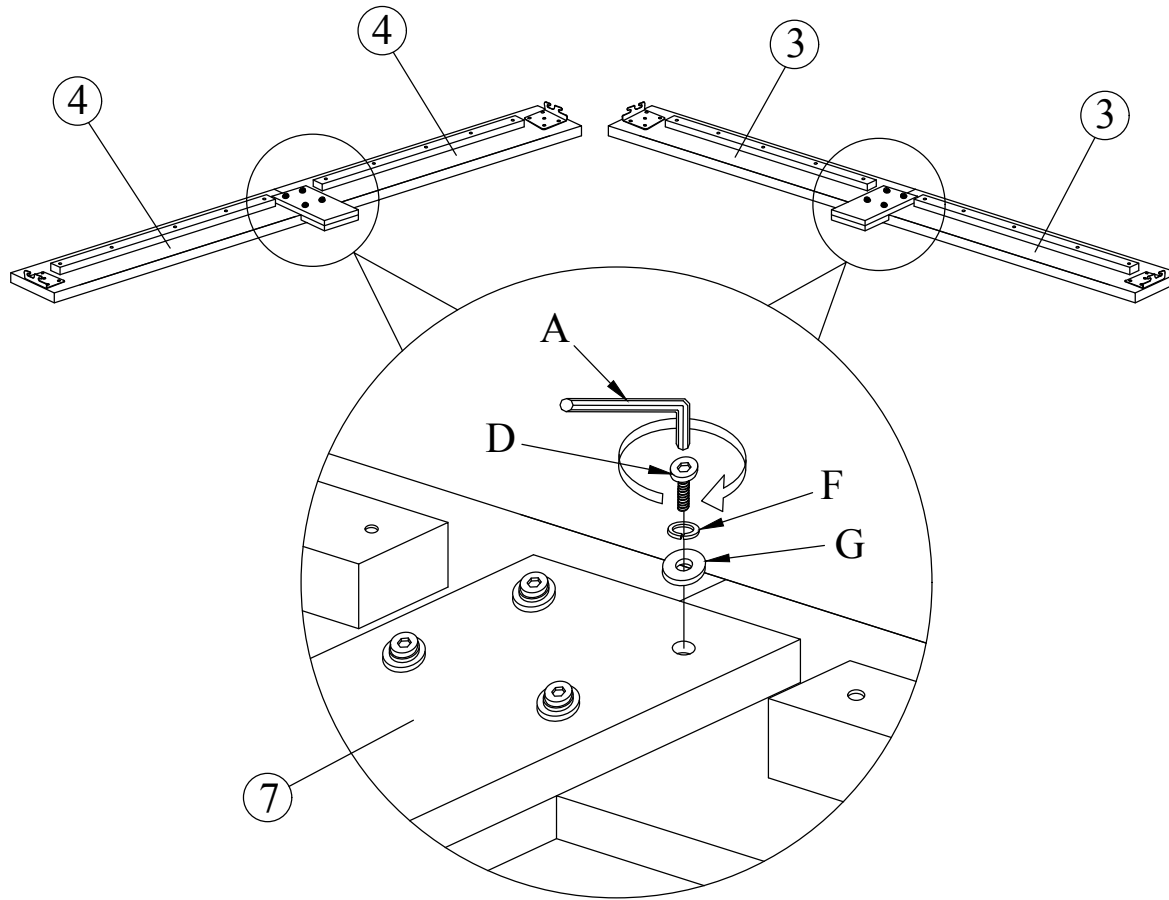


ASSEMBLY INSTRUCTION

TWIN BED

STEP 3.

Attach and tighten the Side Rail Right (3) (2pcs) and Side Rail Left (4) (2pcs) to Side Rail Leg (7) (2pcs). Use JCBC Bolt (D), Spring Washer (F), Flat Washer (G) and Allen Key M4 (A) to fix.



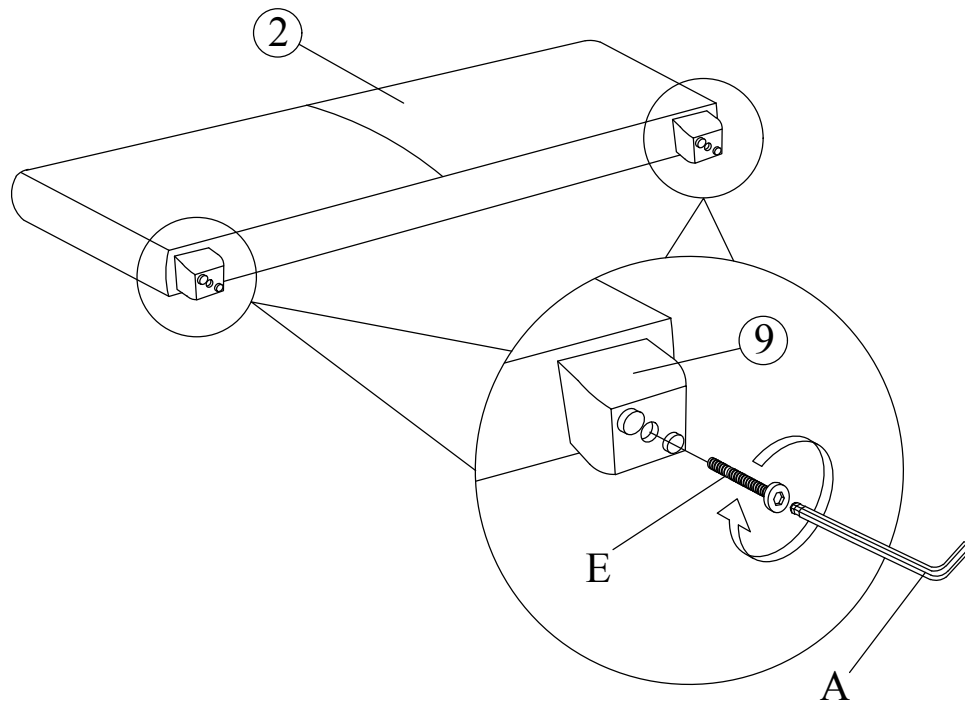
G - Flat Washer M8 - 8pcs	
F - Spring Washer M6 - 8pcs	
D - JCBC Bolt M6 x 35mm - 8pcs	
A - Allen Key M4 - 1pc	

ASSEMBLY INSTRUCTION

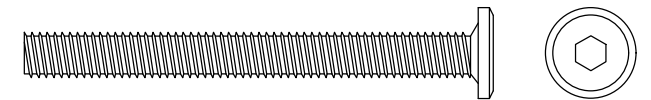
TWIN BED

STEP 4.

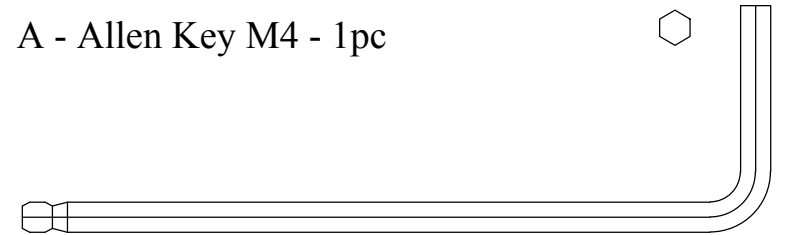
Attached the Footboard Leg (9) (2pcs) to Footboard Panel (2). Use JCBC Bolt (E) and Allen key M4 (A) to fix.



E - JCBC Bolt M6 x 60mm - 2pcs



A - Allen Key M4 - 1pc

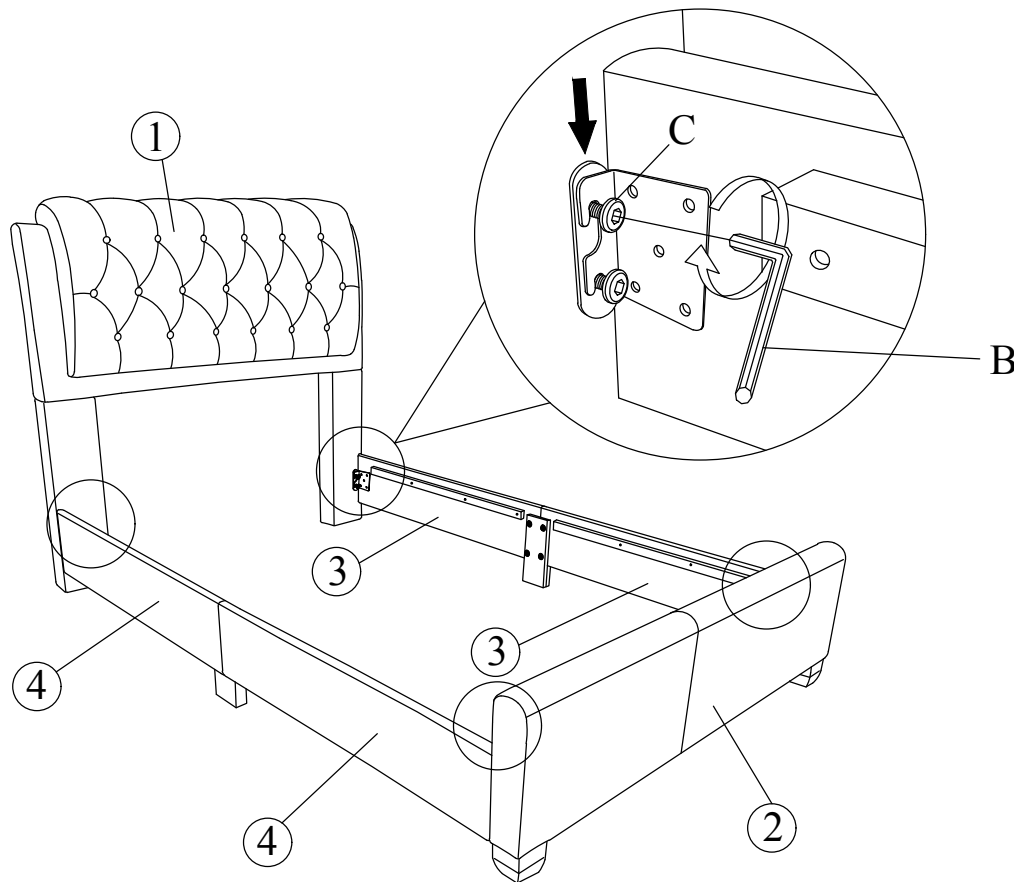


ASSEMBLY INSTRUCTION

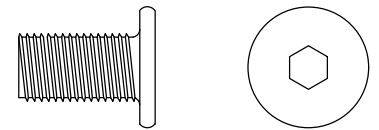
TWIN BED

STEP 5.

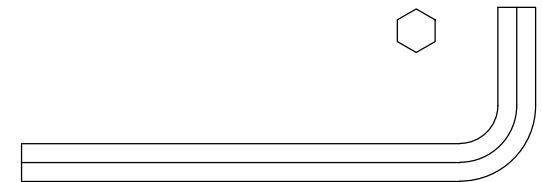
Attach the all Side Rail to bracket of Headboard Panel (1) and Footboard Panel (2).
Use JCBB Bolt (C) and Allen Key M5 (B) to fix.



C - JCBB Bolt M8 x 16mm - 8pcs



B - Allen Key M5 - 1pc

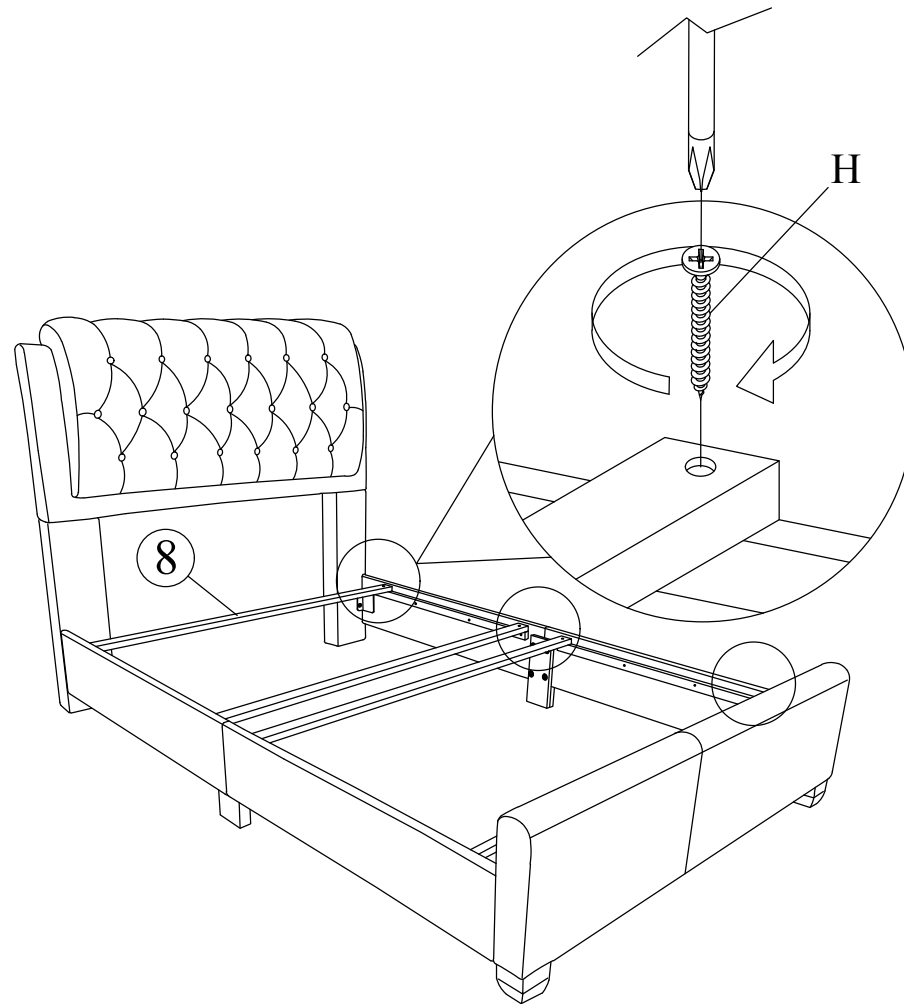


ASSEMBLY INSTRUCTION

TWIN BED

STEP 6.

Attach and tighten the Slats (8) to Side Rail. Use Screw M4 x 32mm (H) and screwdriver to fix.



H - CBS Screw M4 x 32mm - 8pcs

