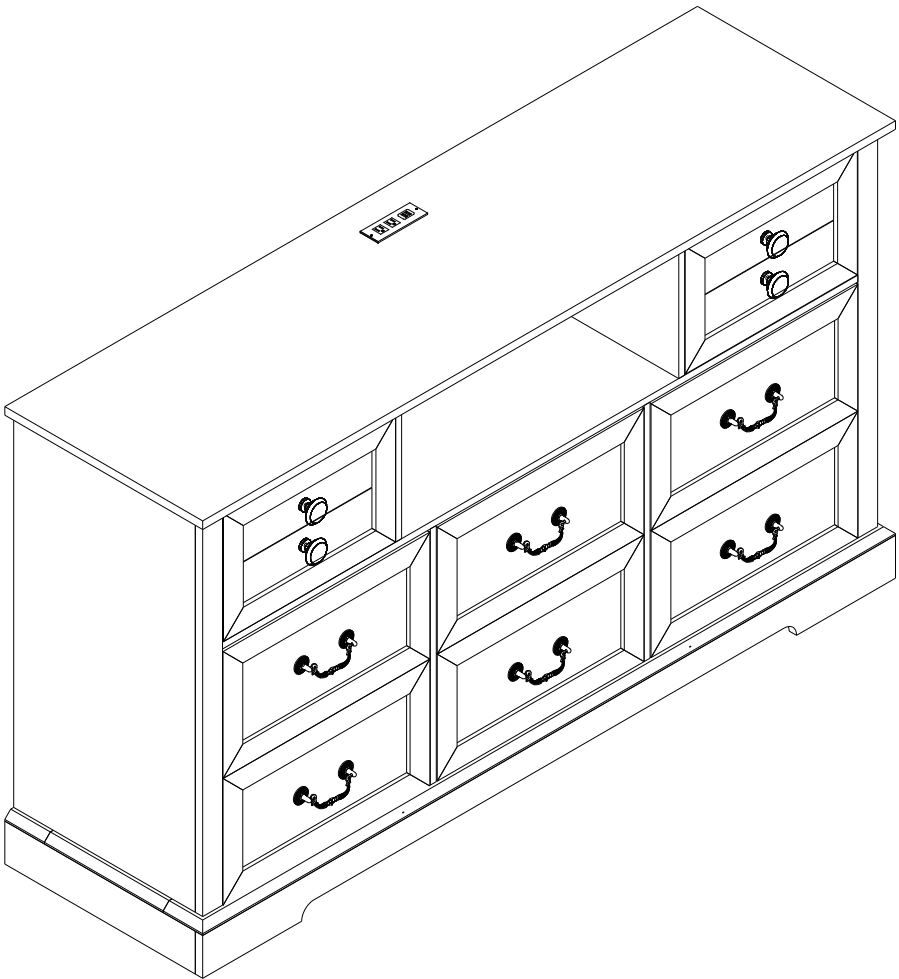
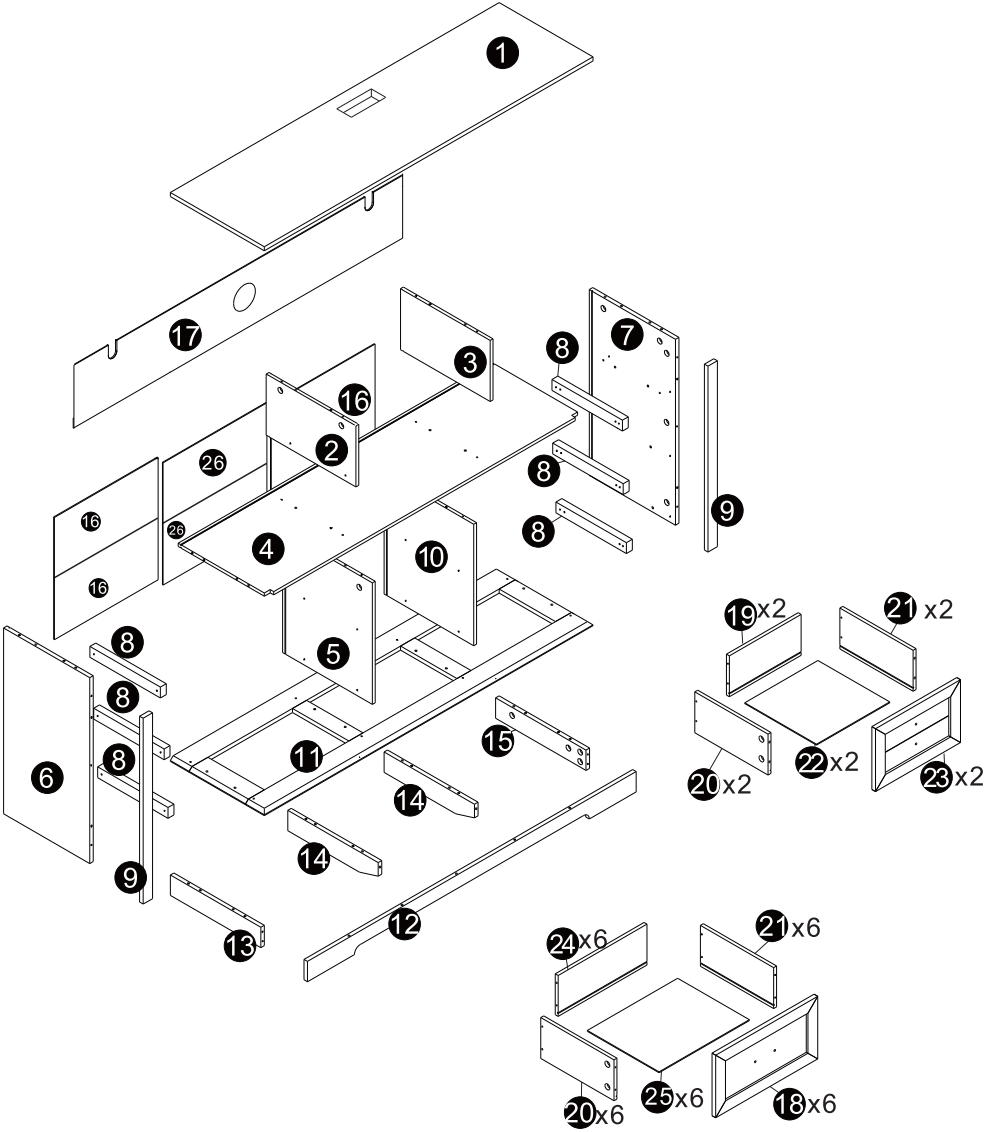


ASSEMBLY INSTRUCTION



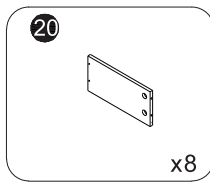
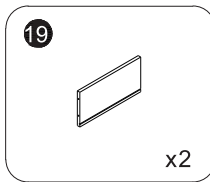
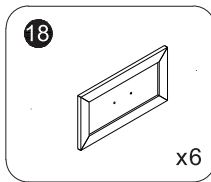
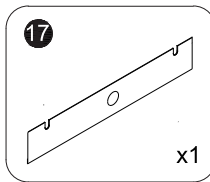
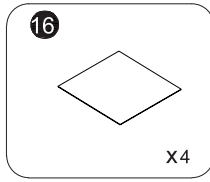
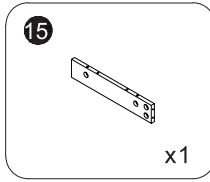
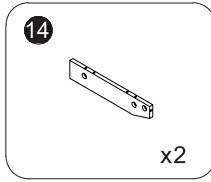
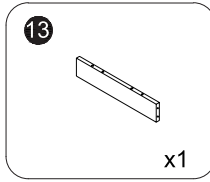
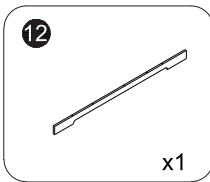
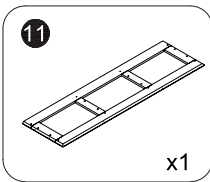
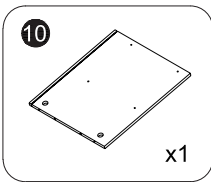
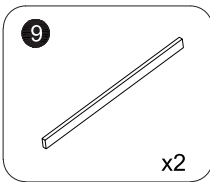
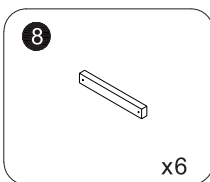
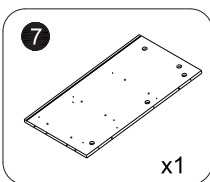
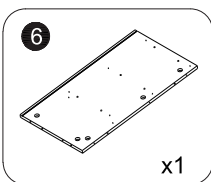
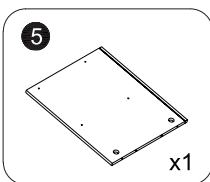
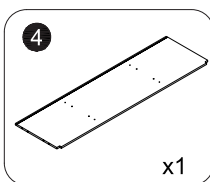
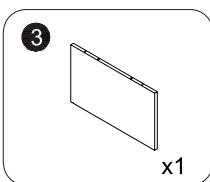
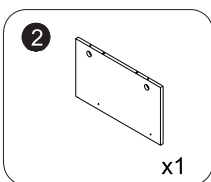
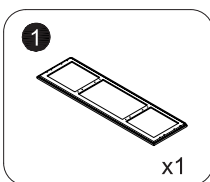
Packaging Details

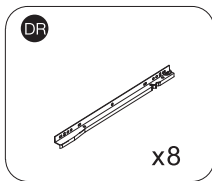
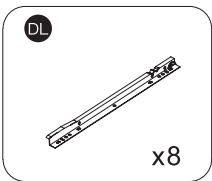
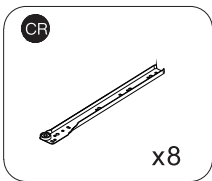
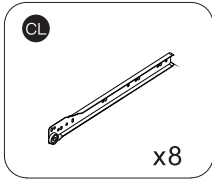
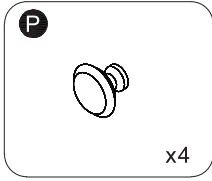
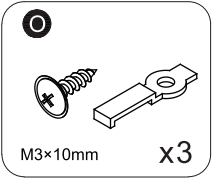
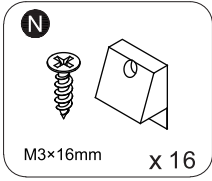
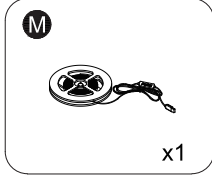
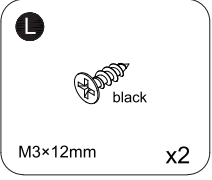
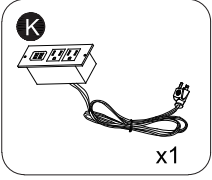
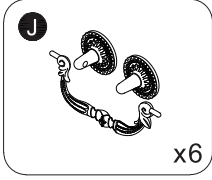
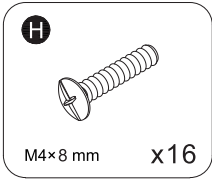
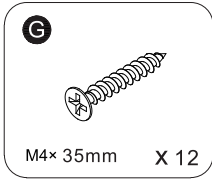
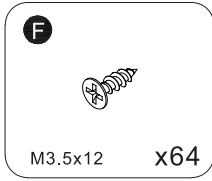
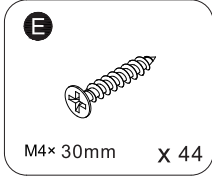
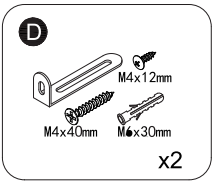
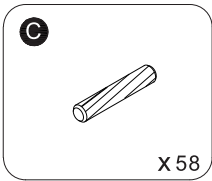
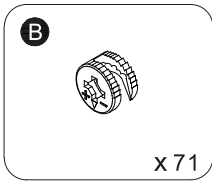
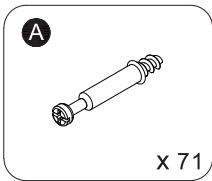
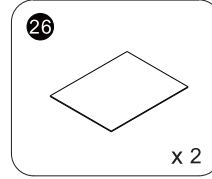
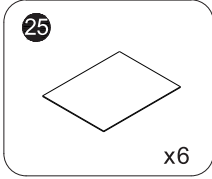
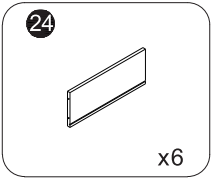
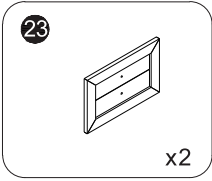
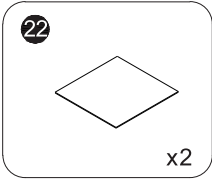
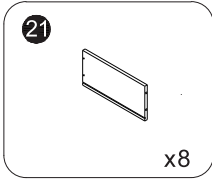


Please check all parts and accessories according to the parts list before assembling, make sure all contents are sufficient and in good condition.

If there is any parts missing or defective, please contact us immediately with purchase platform message to get replacement parts.

PARTS:



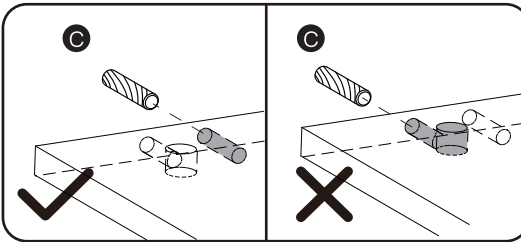


HOW TO INSTALL

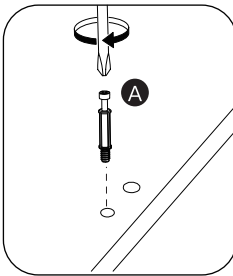
NOTICE:

1. Use electric drill for easier installation experience.
2. Please drive the screws in pre-drilled holes.
3. Please strictly follow the instruction and diagram in every step.
4. Make sure every part is on the right position, otherwise it may cause unnecessary problem.
5. Select the proper component via the label on every part while assembling.

REMARK:

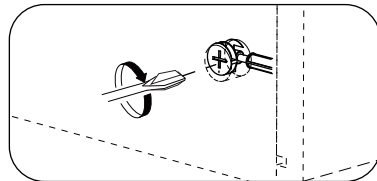
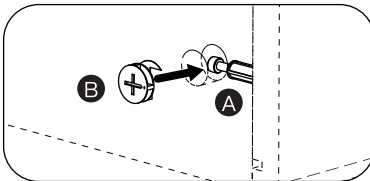


Avoid inserting part C into wrong holes.



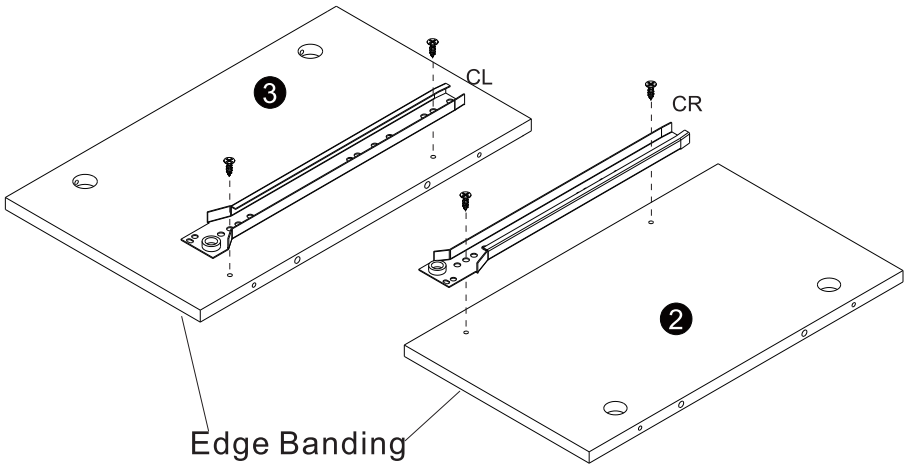
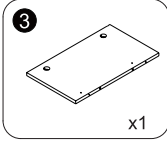
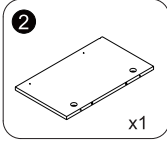
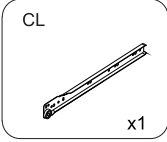
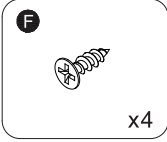
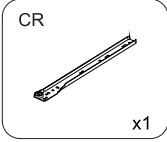
Part A must be installed into the holes with rubber nuts which are smaller than others.

When locking part B, please make sure part A is fully inserted.

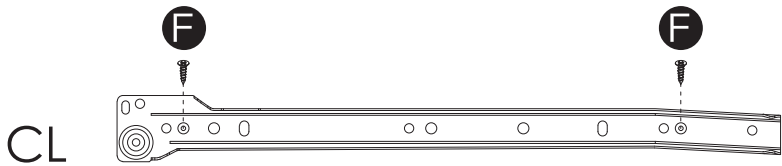
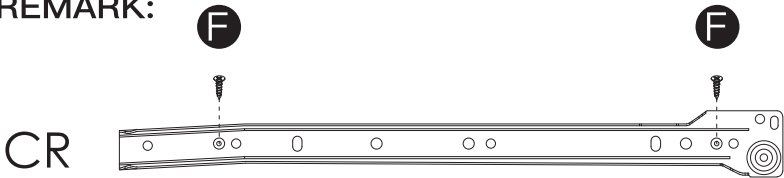


Step 1

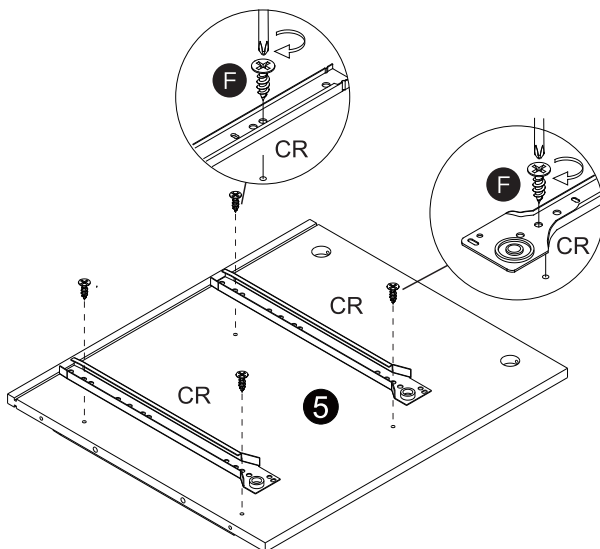
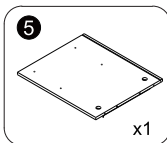
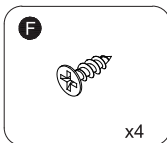
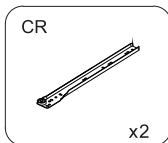
Install part CL on part ③, Install part CR on part ②, use part F to screw them.



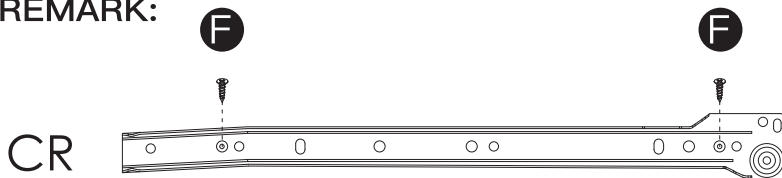
REMARK:



Step 2 Install part CR on part 5, use part F to screw them.

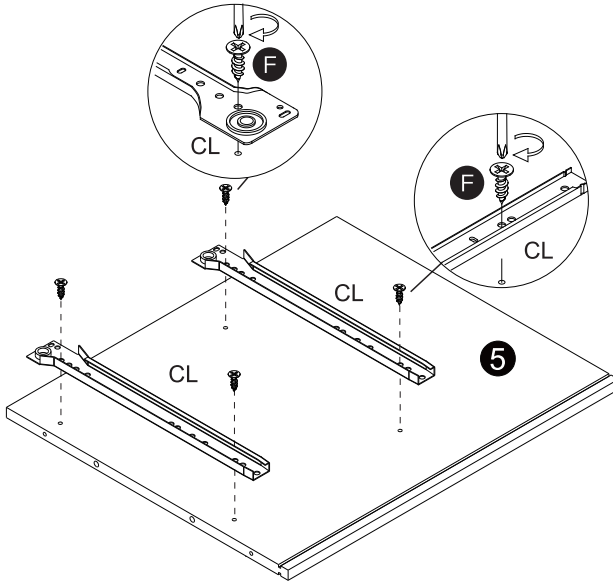
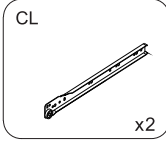
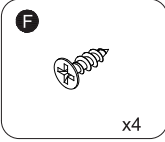


REMARK:

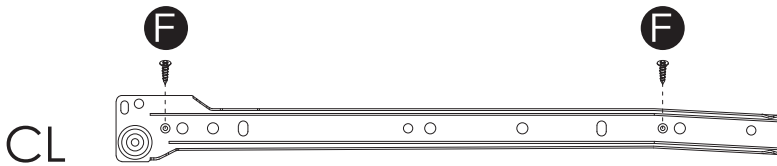


Step 3

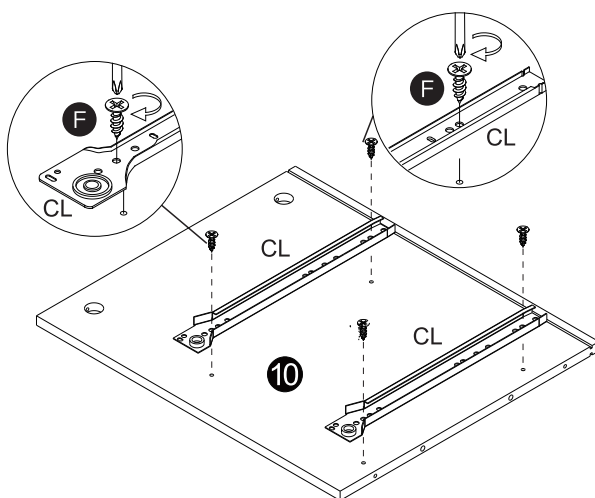
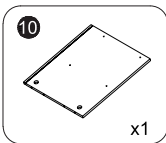
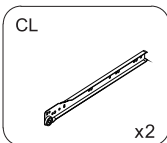
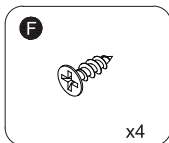
Turn part 5 over, and install part CL on part 5, use part F to screw them.



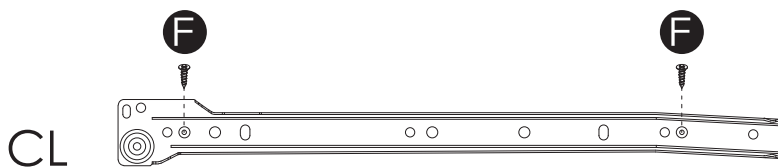
REMARK:



Step 4 Install part CL on part 10, use part F to screw them.

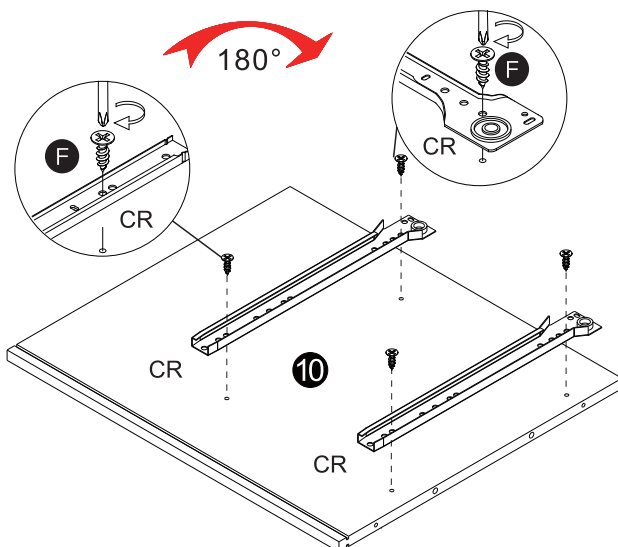
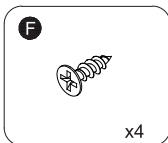
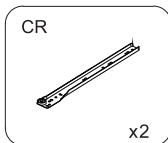


REMARK:

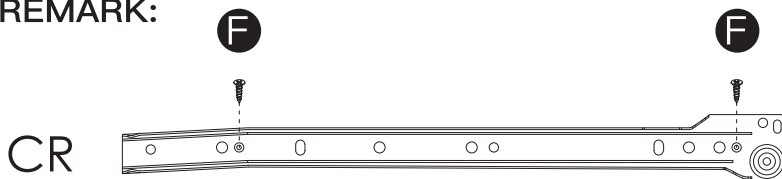


Step 5

Turn part **10** over, and install part CR on part **10**, use part **F** to screw them.

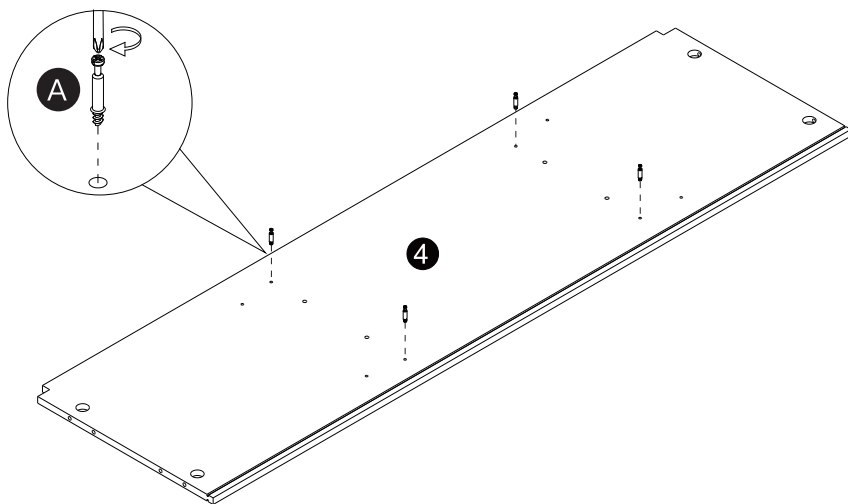
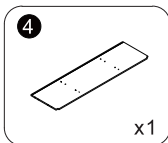
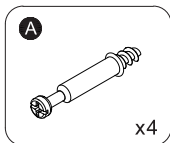


REMARK:

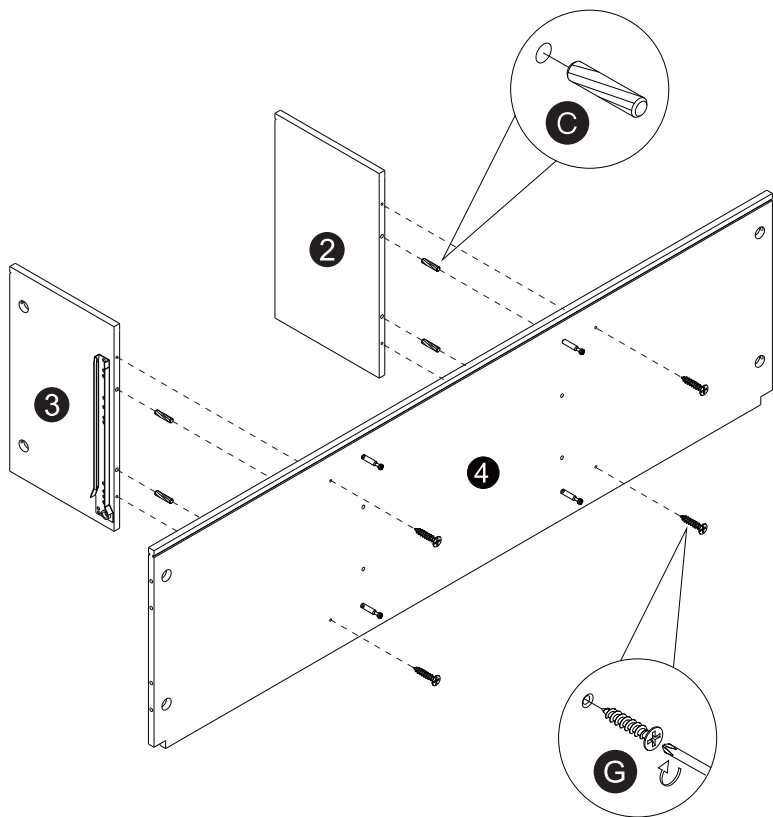
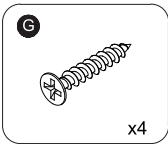
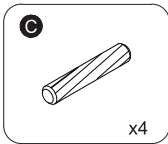


Step 6

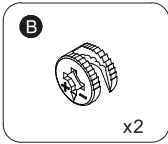
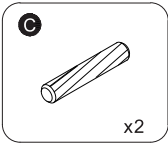
Install part **A** on part **4**.



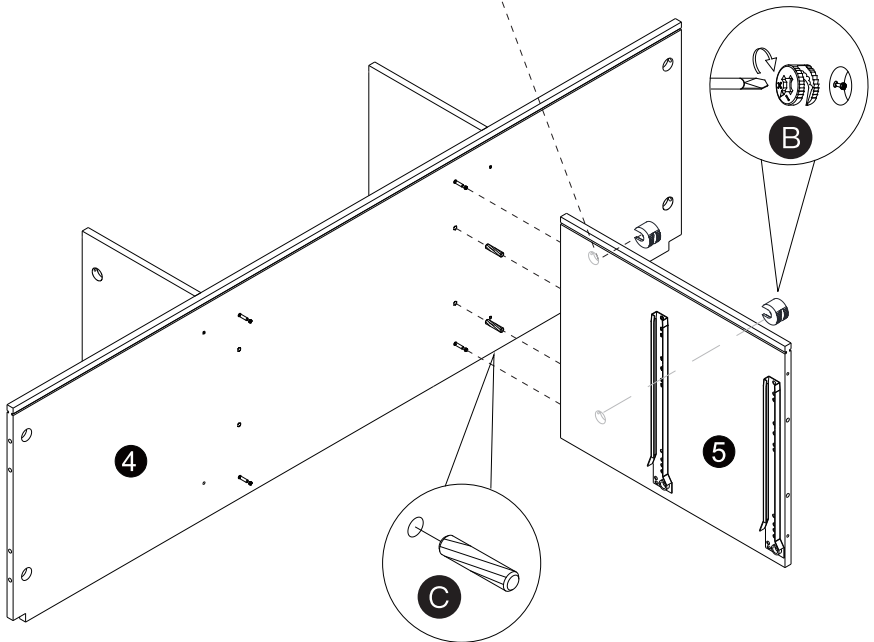
Step 7 Install part **2** & **3** on part **4**, use part **C** & **G** to screw them.



Step 8 Install part 5 on part 4, use part B & C to screw them.

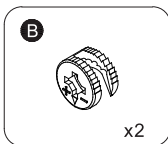
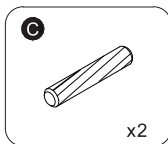


Notice:
The larger hole of part 5 is facing outwards.



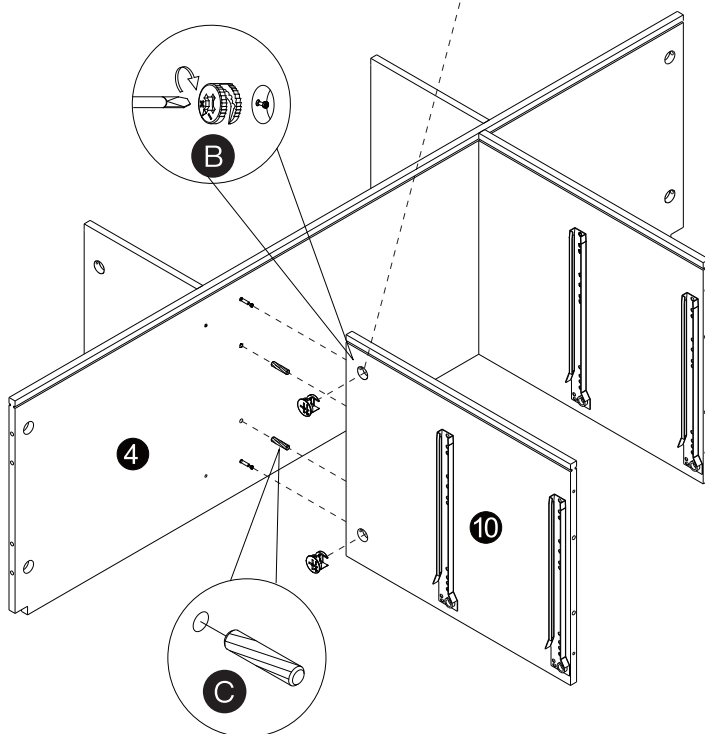
Step 9

Install part **10** on part **4**, use part **B** & **C** to screw them.



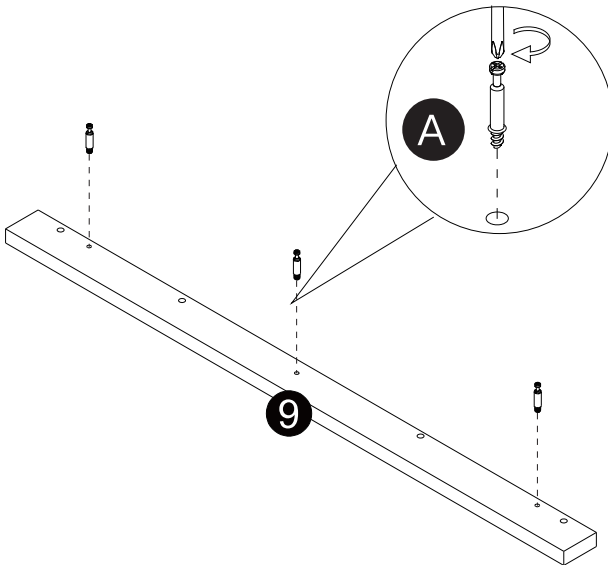
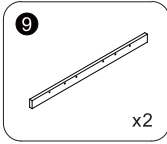
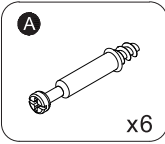
Notice:

The larger hole of part **10** is facing outwards.



Step 10

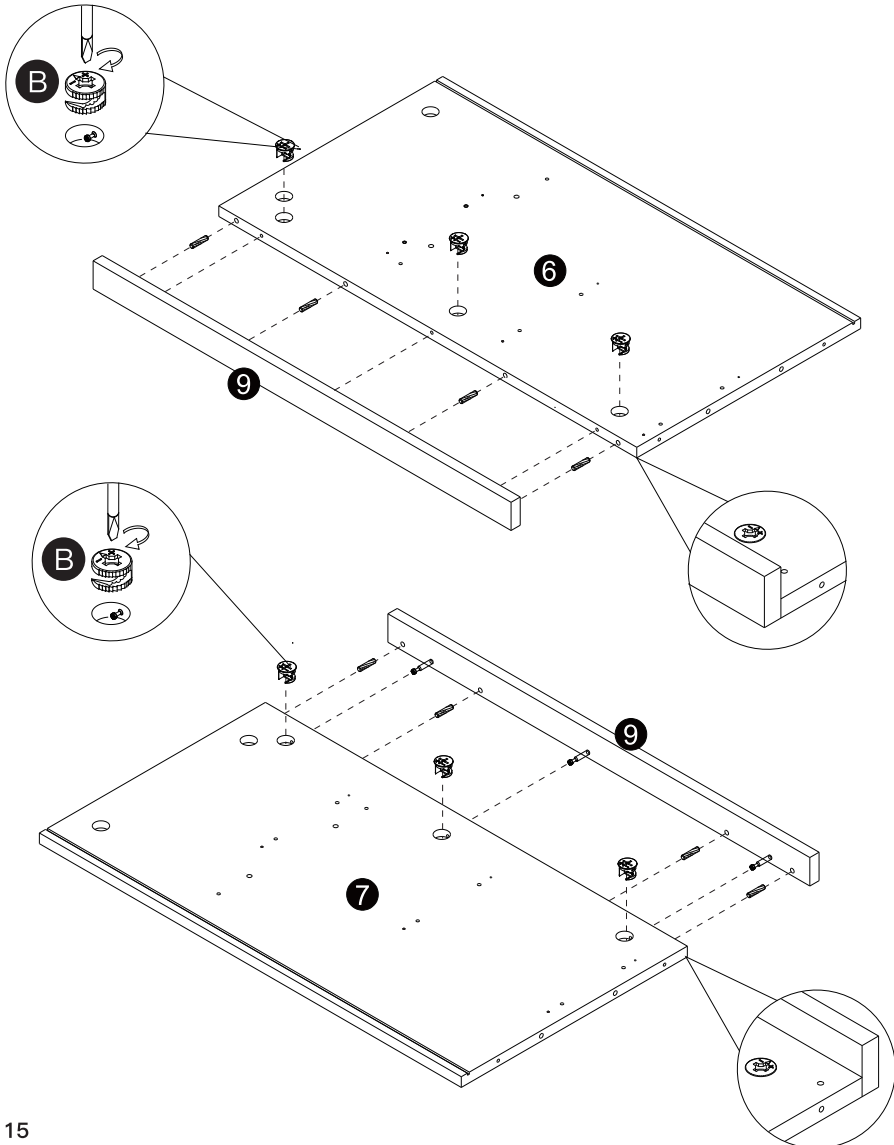
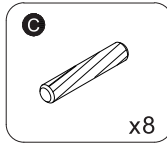
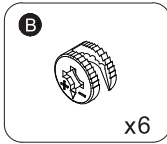
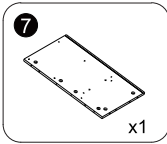
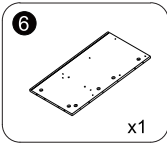
Install part **A** on part **9**.



x2

Step 11

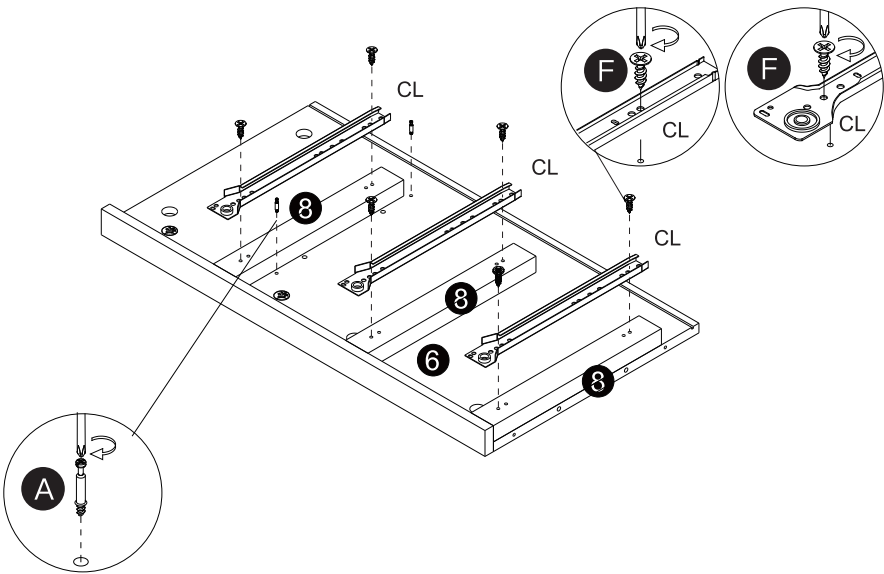
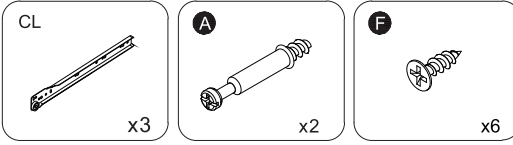
Install part **9** on part **6** & **7**, use part **B** & **C** to screw them.



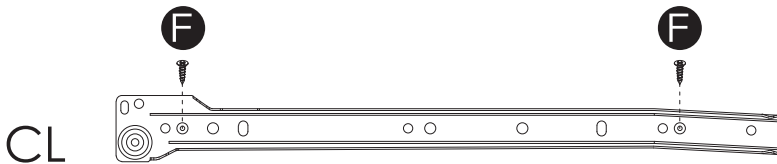
Step 13

Install part CL on part 8 of part 6, use part F to screw them.

Install part A on part 6.



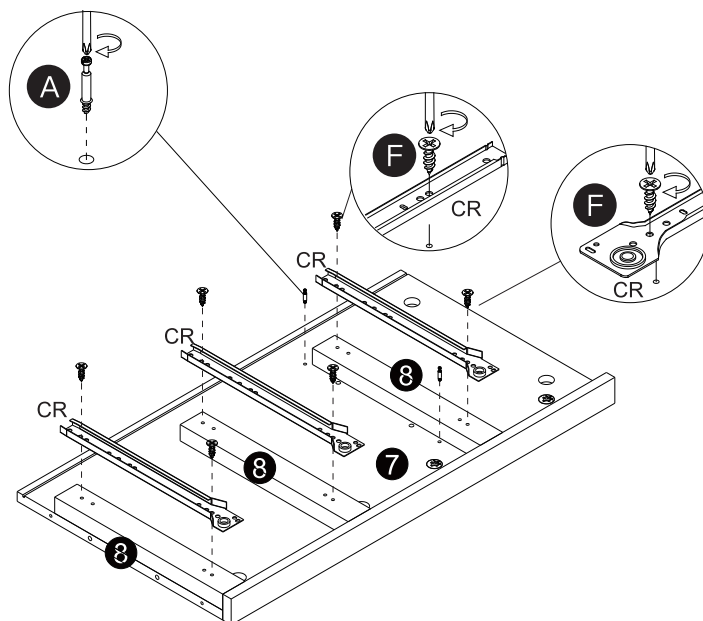
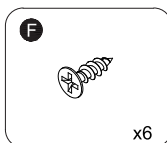
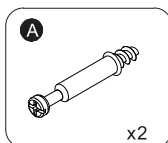
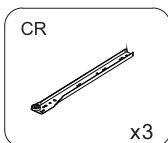
REMARK:



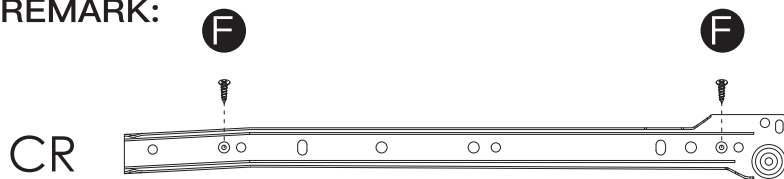
Step 14

Install part CR on part 8 of part 7, use part F to screw them.

Install part A on part 7.

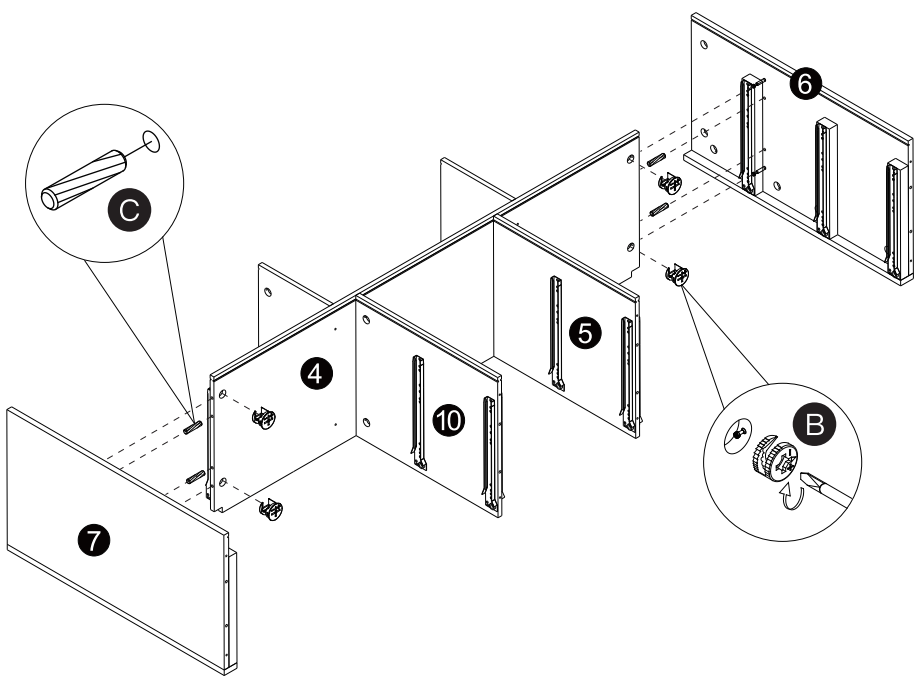
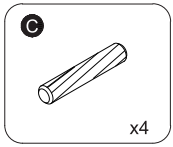
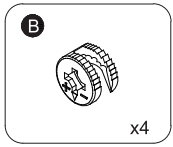


REMARK:

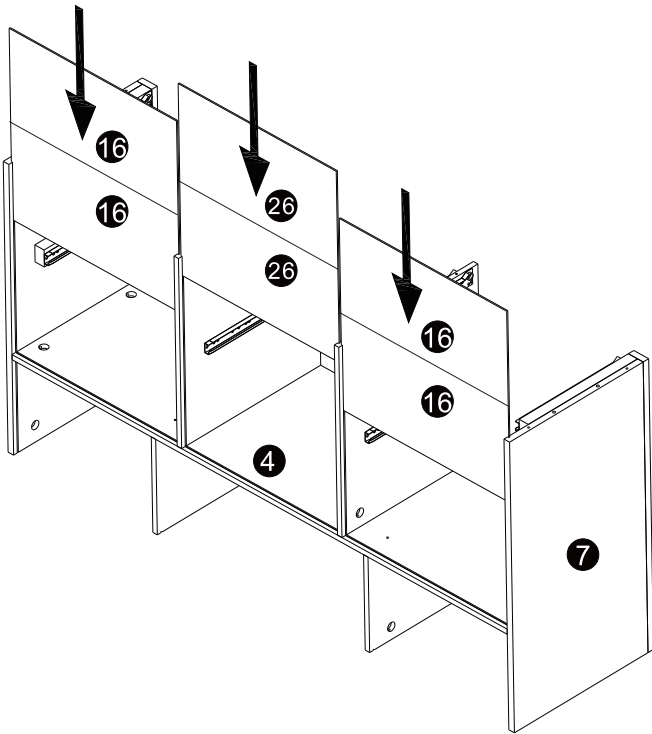
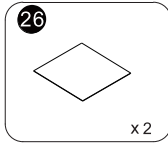
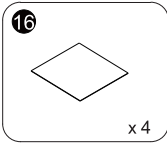


Step 15

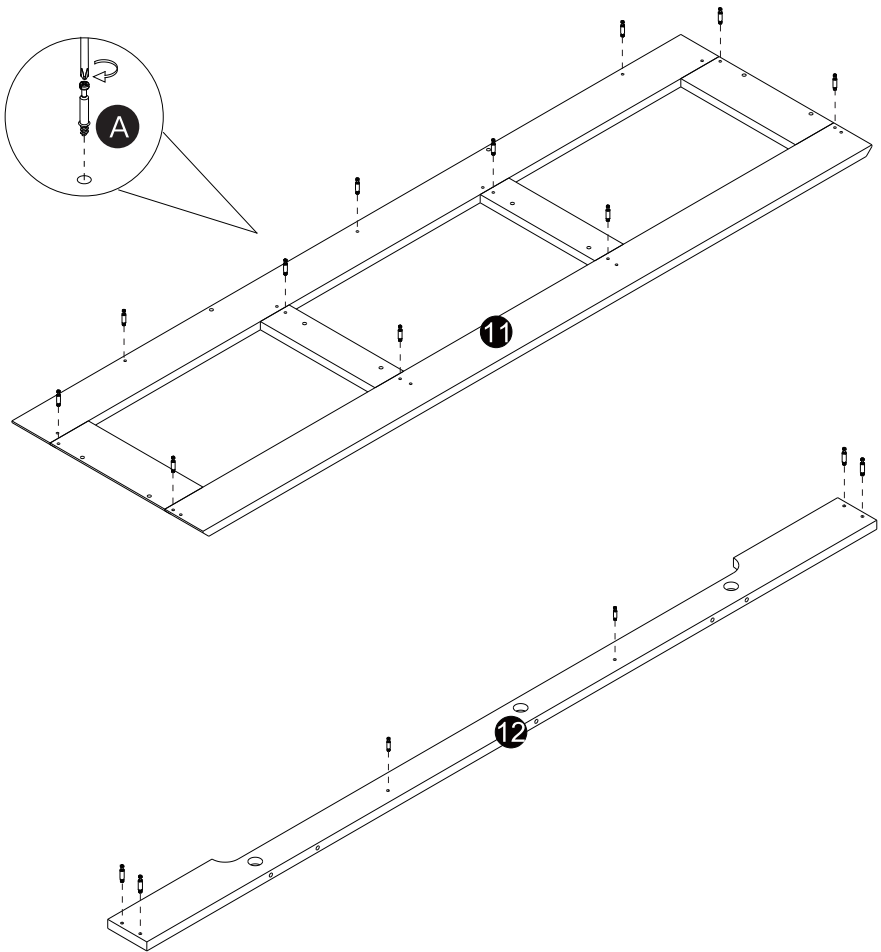
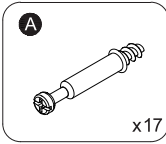
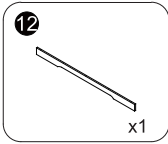
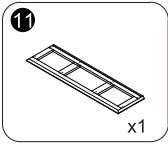
Connect part 6 & 7 with part 4, use part B & C to screw them.



Step 16 Insert part **16** **26** into part **4**.

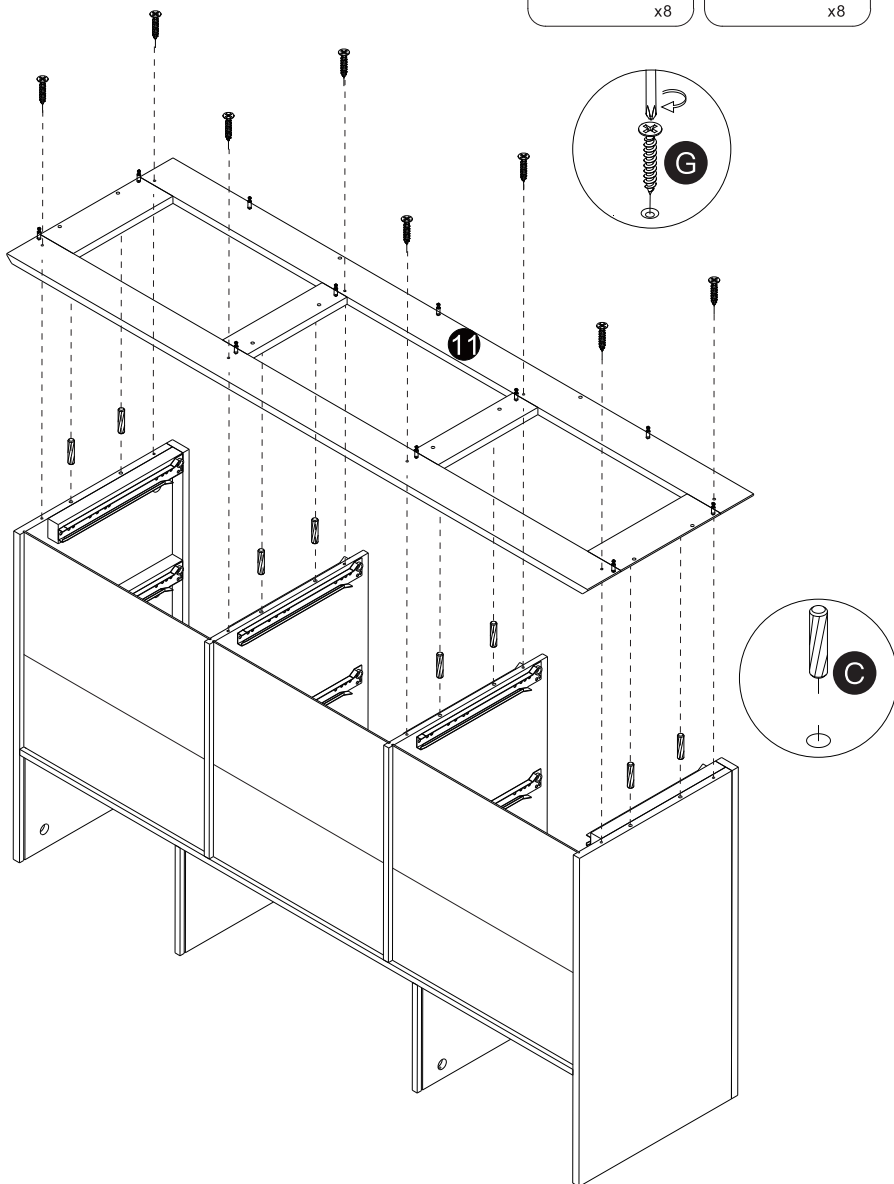
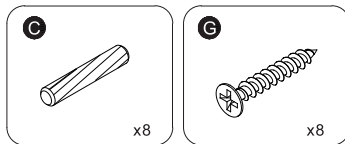


Step 17 Install part **A** on part **11** & **12**.



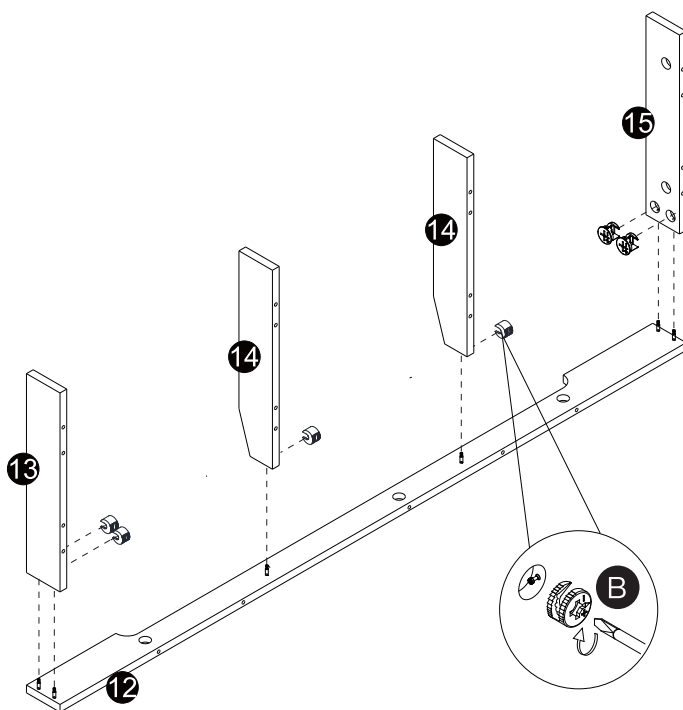
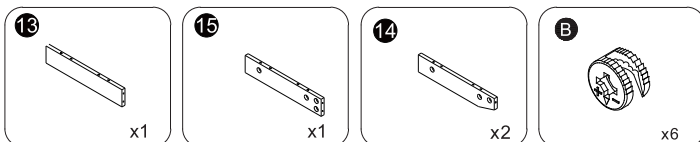
Step 18

Install part **11** on the bottom, use part **C** & **G** to screw them.



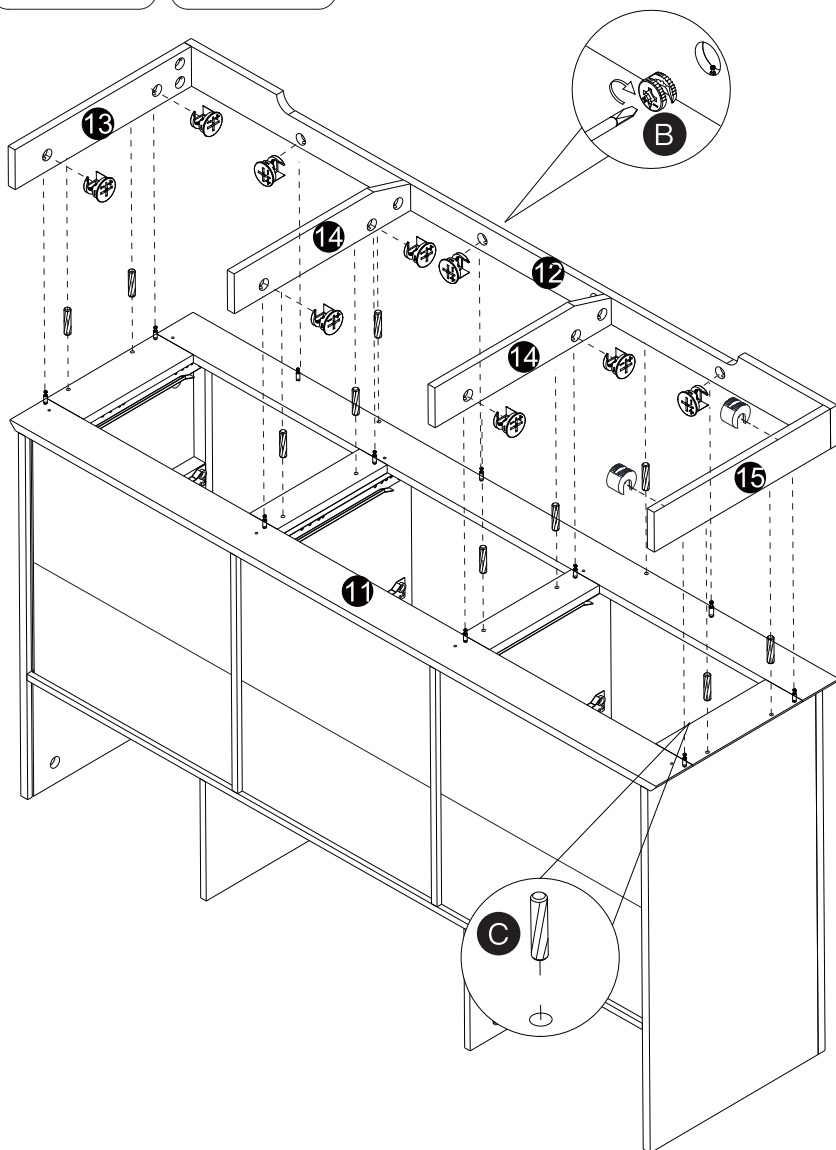
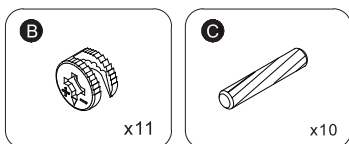
Step 19

Install part **13** & **14** & **15** on the bottom, use part **B** to screw them.

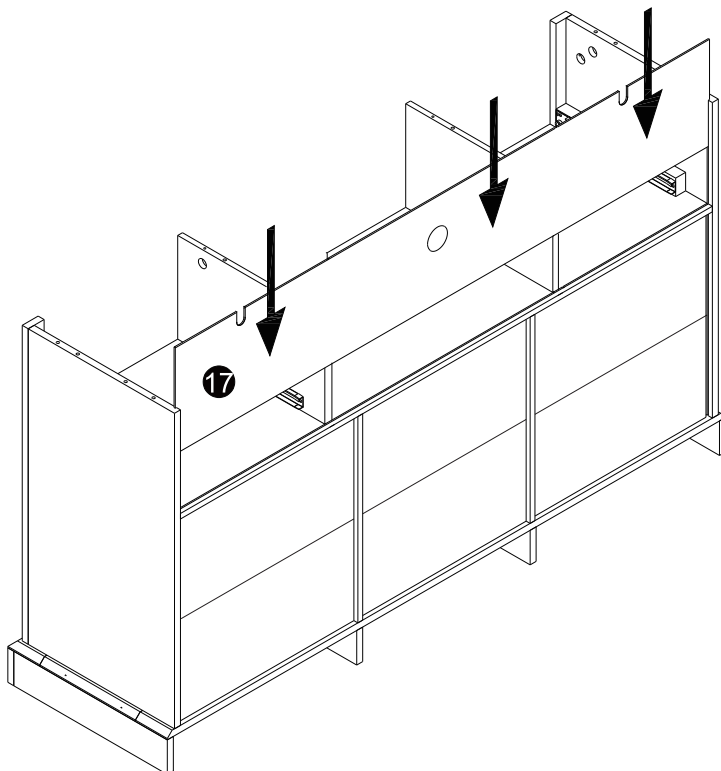
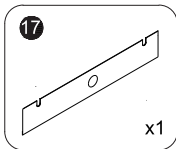


Step 20

Install last step's part on part 11, use part B & C to screw them.

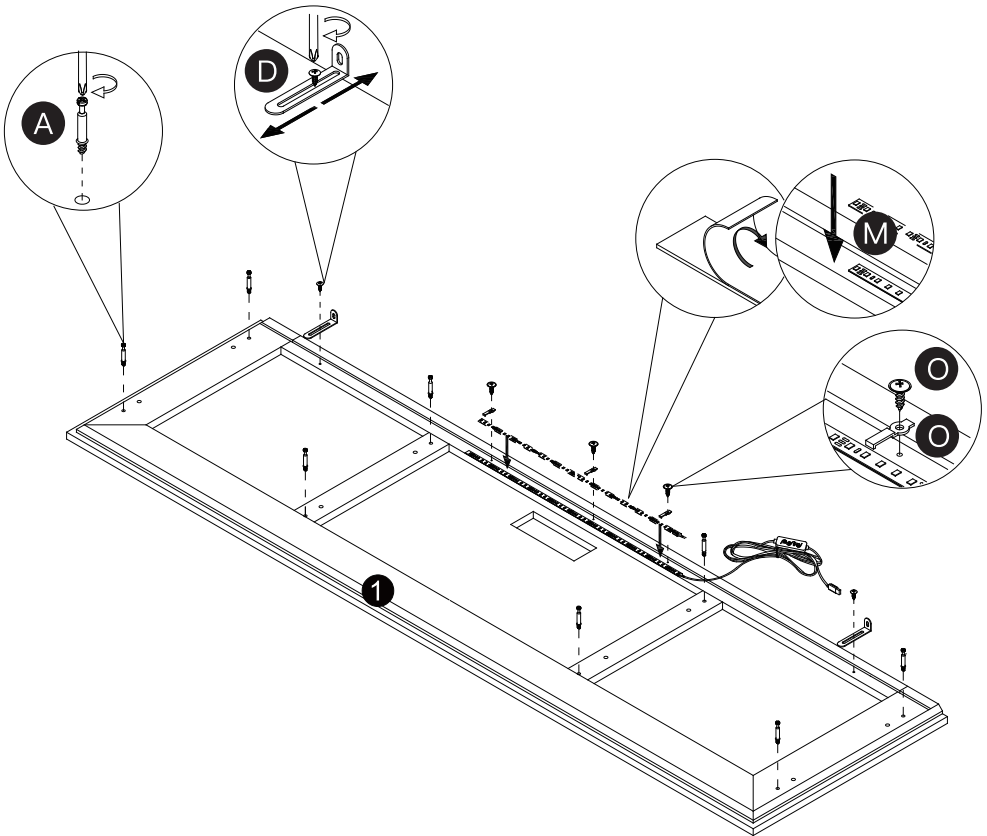
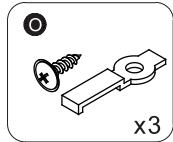
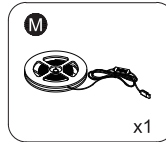
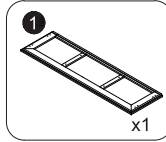
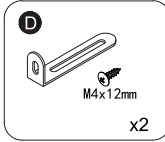
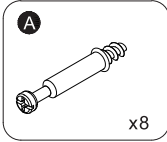


Step 21 Insert part **17**.



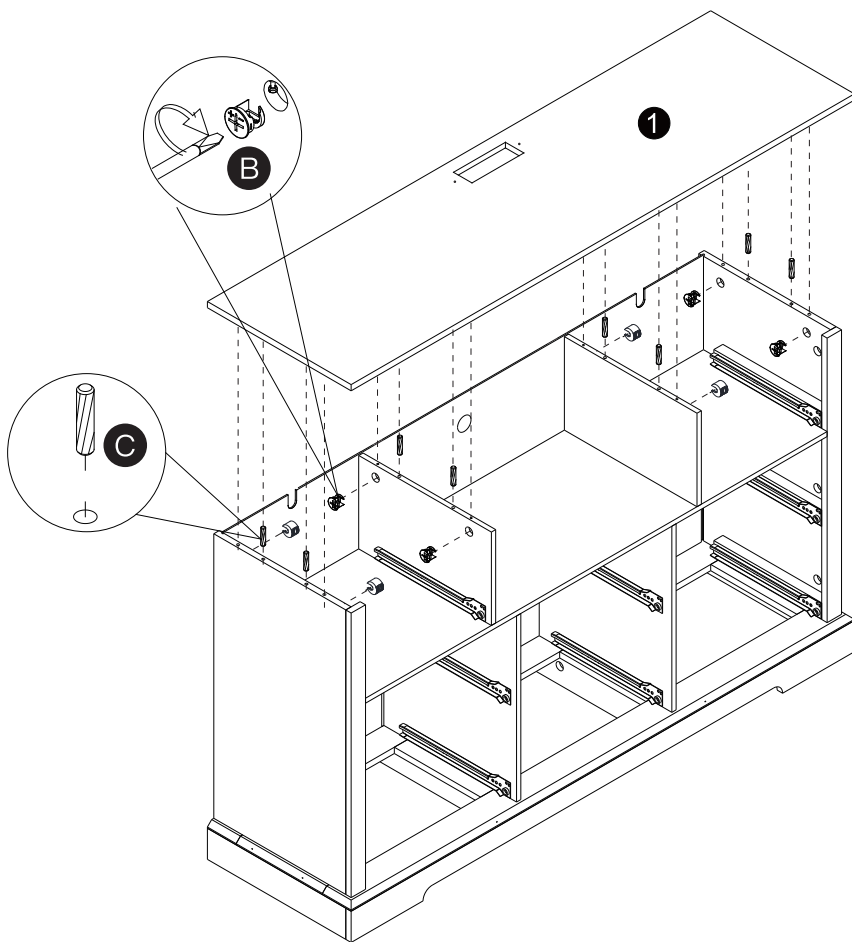
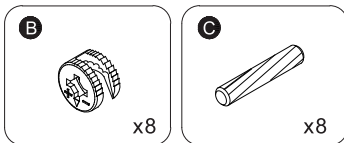
Step 22

Install part **A** & **D** on part **1**.
Install part **M** on part **1**, use part **O** to screw them.



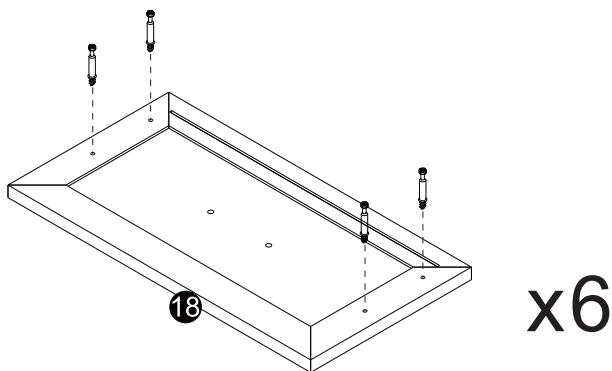
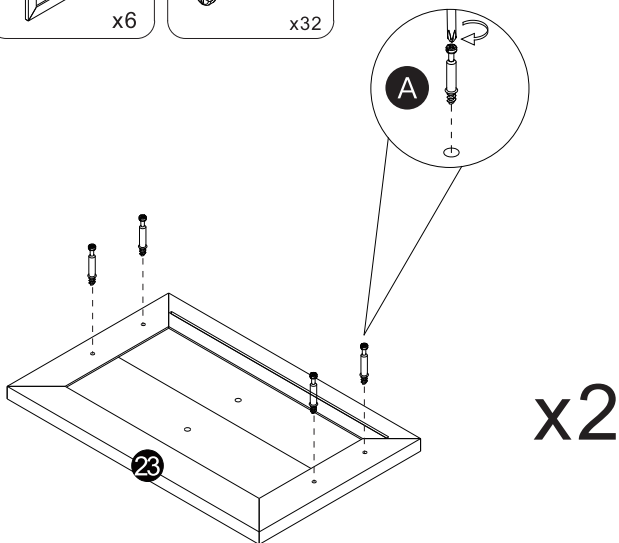
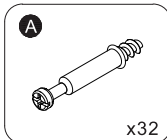
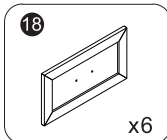
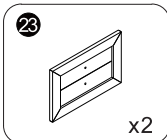
Step 23

Install part **1** on the top of the frame with part **C**, use part **B** to screw them.



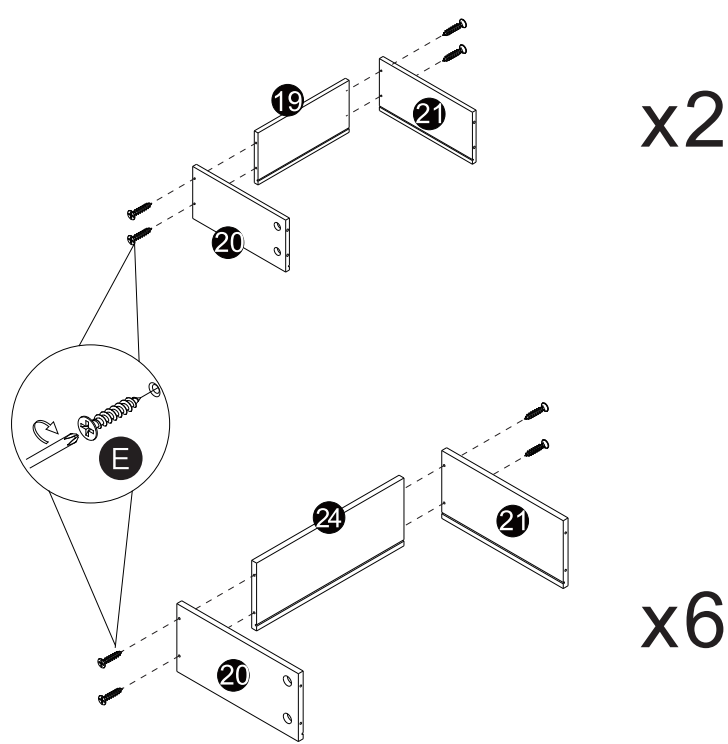
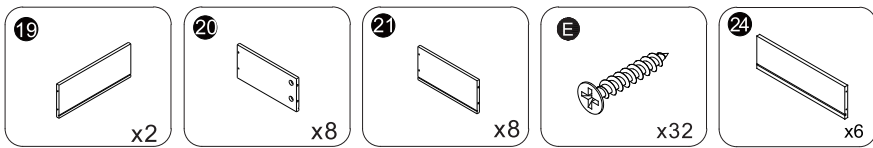
Step 24

Install part **A** on part **18** & **23**.



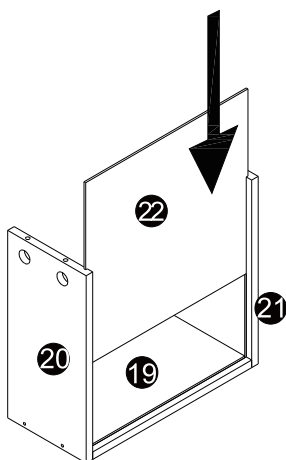
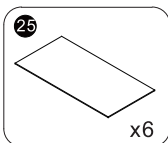
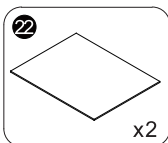
Step 25

Connect part 20 & 21 with part 19 and part 24 respectively, use part E to screw them.

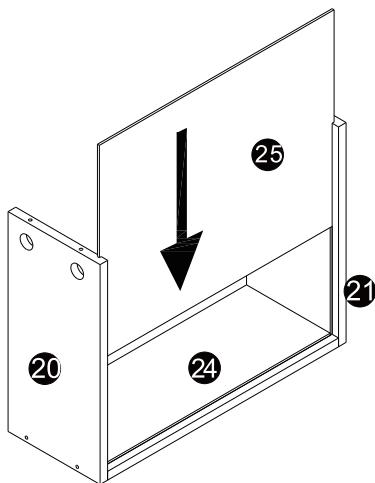


Step 26

Insert part 22 & 25 into part 20 & 21.



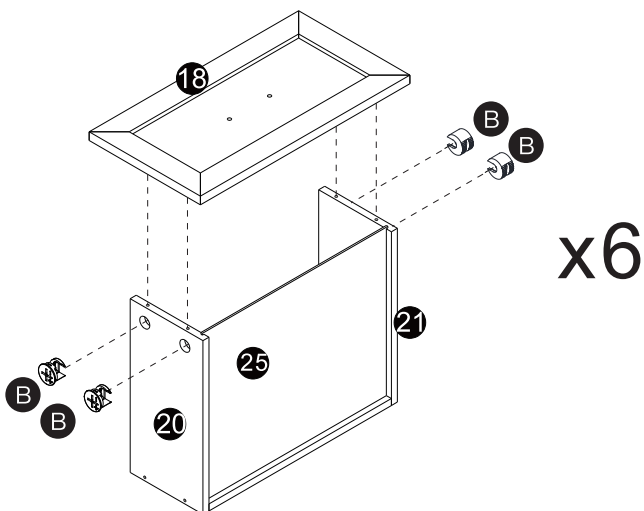
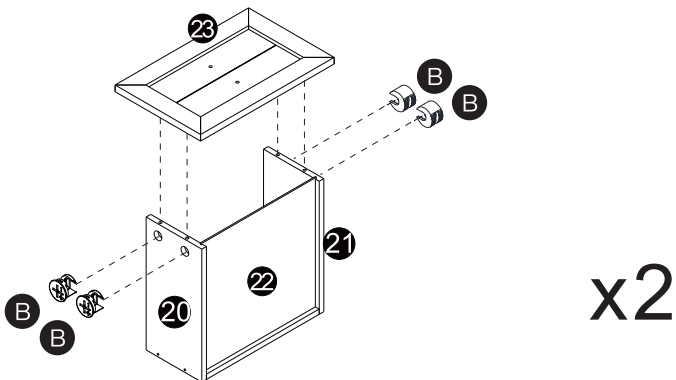
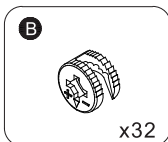
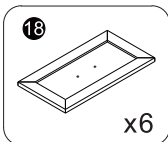
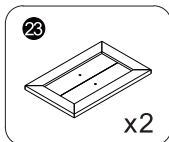
x2



x6

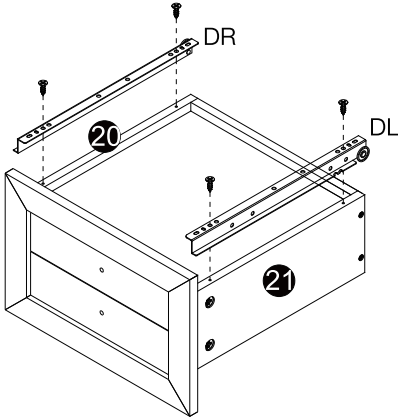
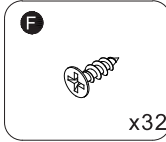
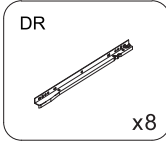
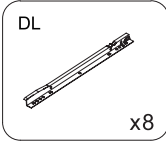
Step 27

Install part 18 & 23 on part 20 & 21, use part B to screw them.

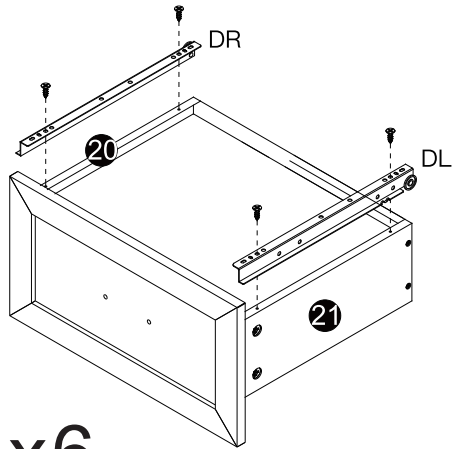


Step 28

Install part DL & DR on part 20 & 21, use part F to screw them.

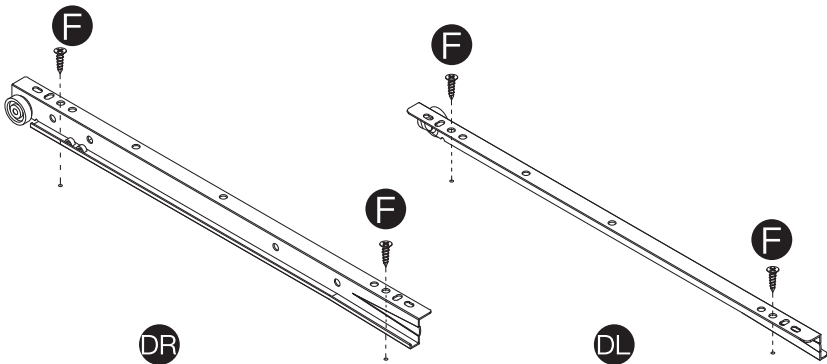


x2



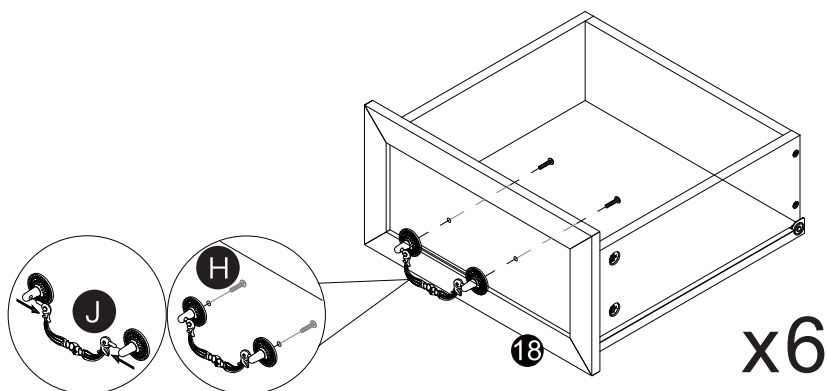
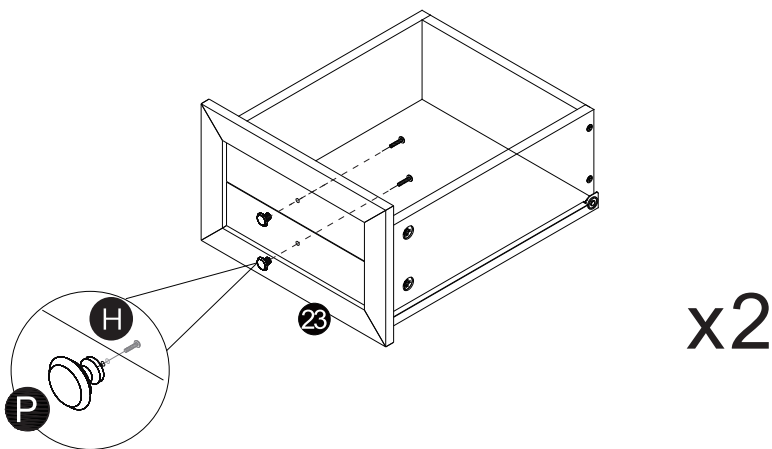
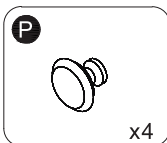
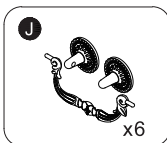
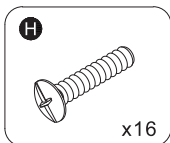
x6

REMARK:



Step 29

Install part **P** on part **18**, use part **H** to screw them.
Install part **J** on part **23**, use part **H** to screw them.

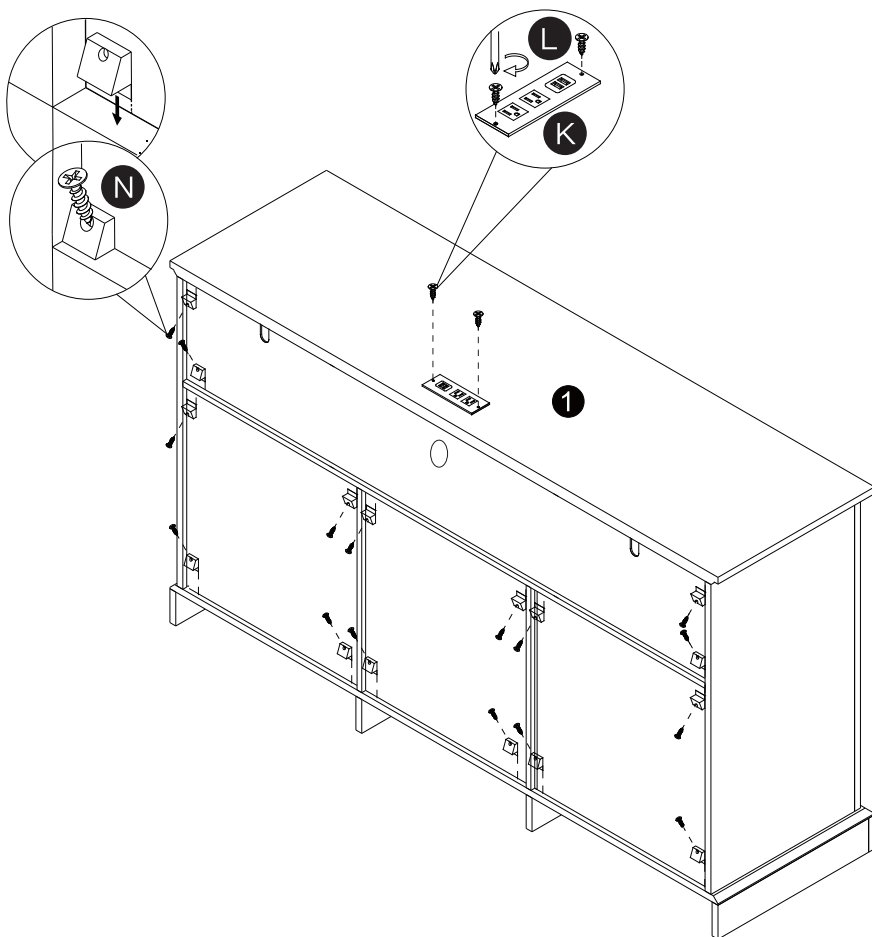
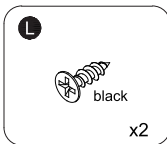
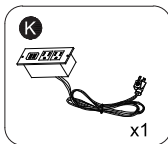
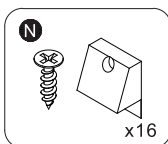


Notice:

Part **J** consists of three parts, which require assemble during installation. Install the middle handle before tighten the screws.

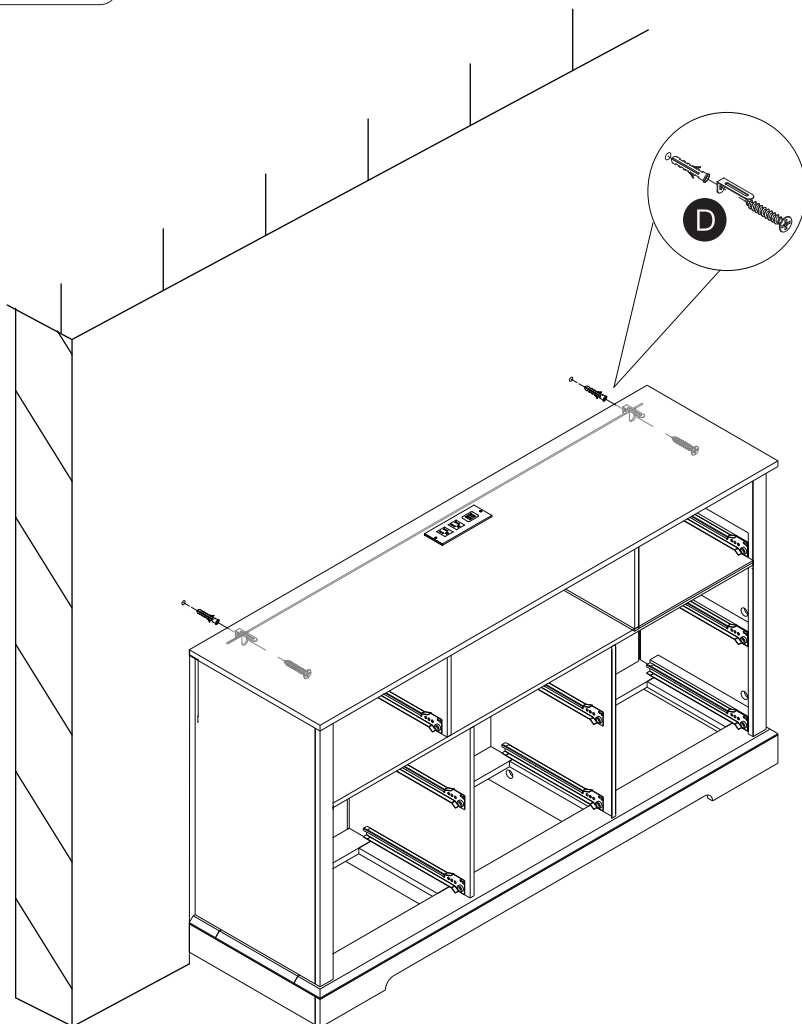
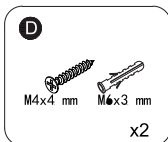
Step 30

Insert part **N** along the grooves of backboard, and screw them for better stability. Install part **K** on part **1**, use part **L** to screw them.



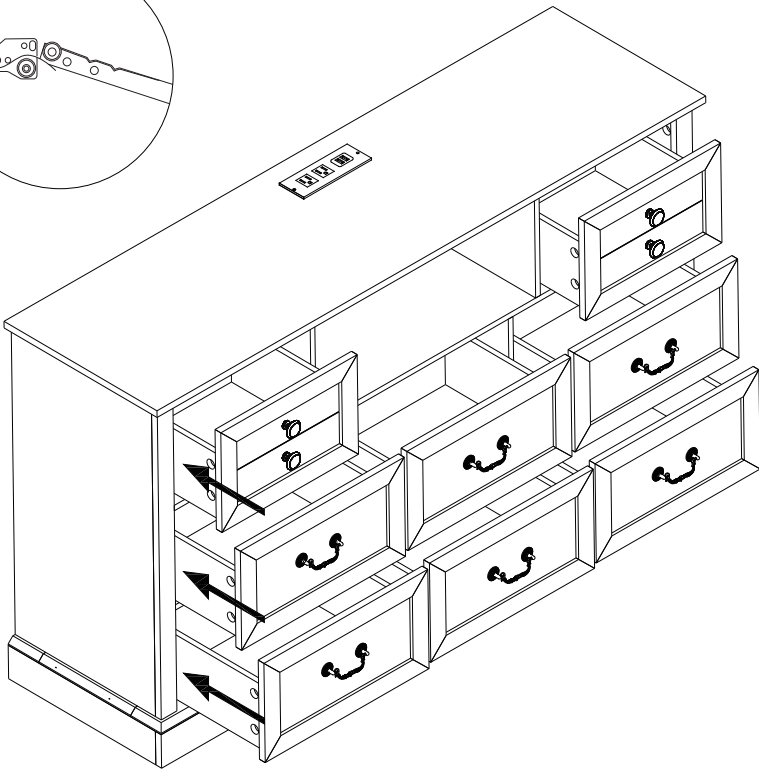
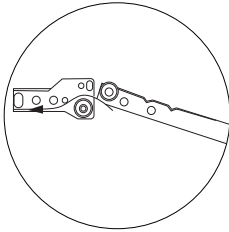
Step 31

(Optional) Drill two holes on a solid wall, then insert part **D**.
Lock them tight to fix them with the wall.



Step 32

Align and put all drawers in.



After-sales Service

Dear customer,

We're excited that you've chosen our product to be a part of your home. We care deeply about your experience and want to make sure you have all the help you need.

If you have any questions while assembling your new product, don't hesitate to contact our dedicated customer support team through the original purchase platform.

Creating your ideal space is important, and we're committed to helping you every step of the way.

Thank you for choosing us, where comfort and style meet practicality.

Sincerely,
Customer Service Manager