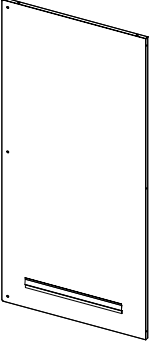
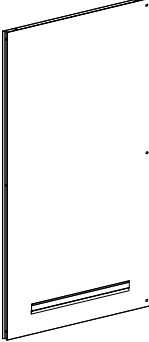
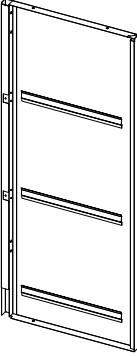
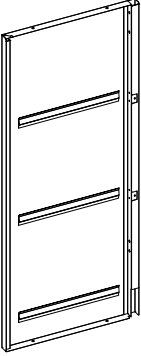
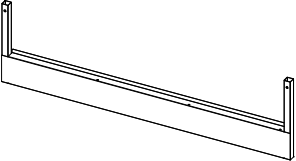
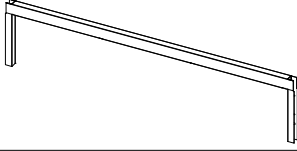
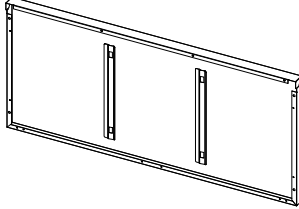
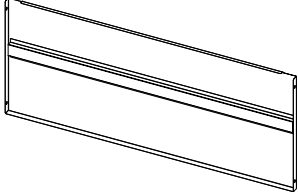
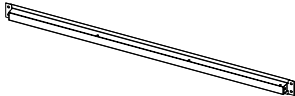
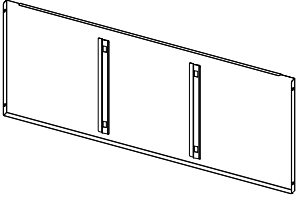
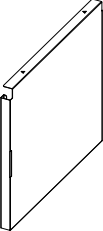
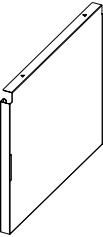
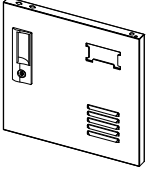
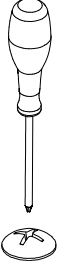
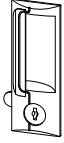



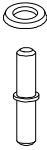

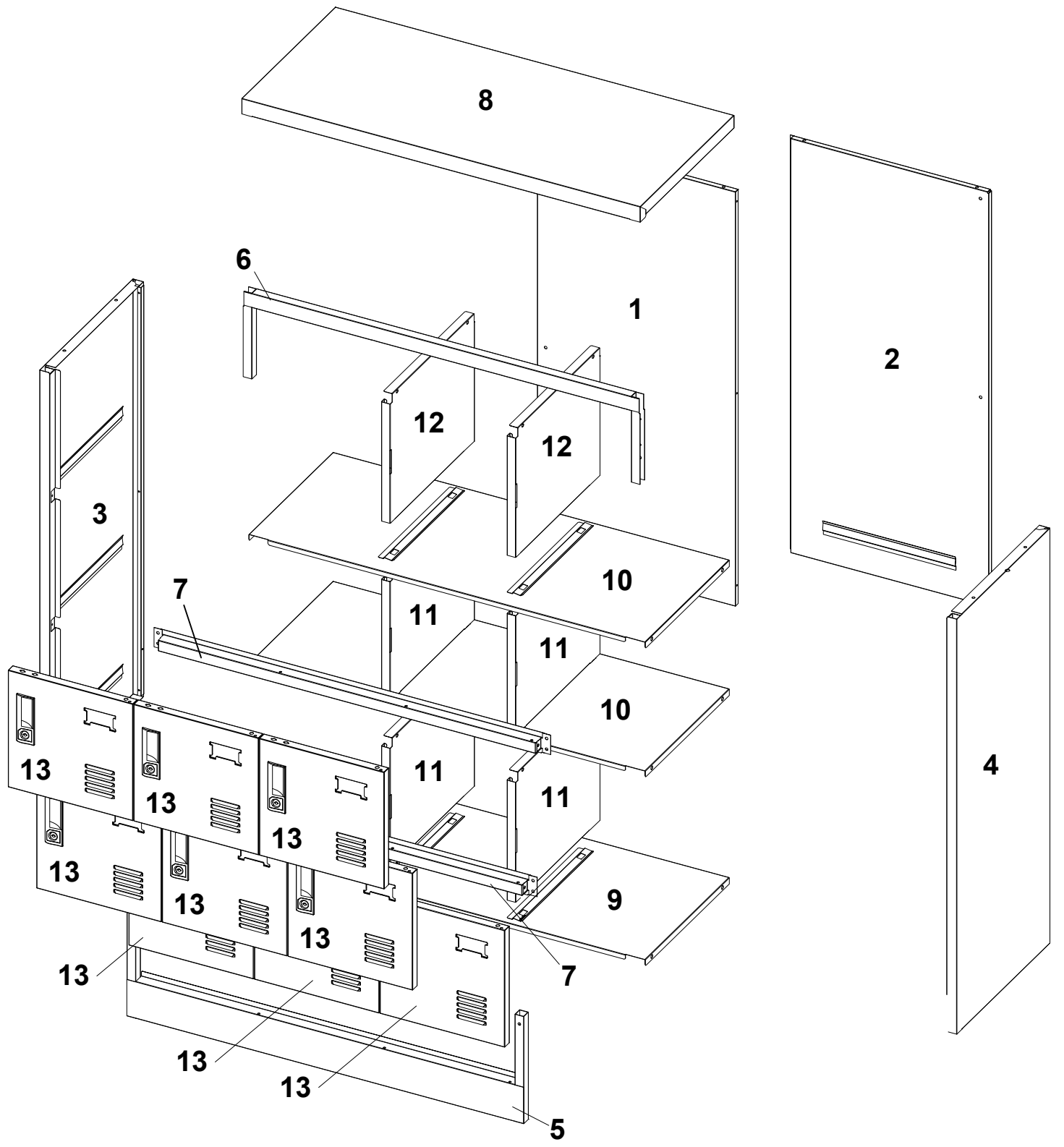
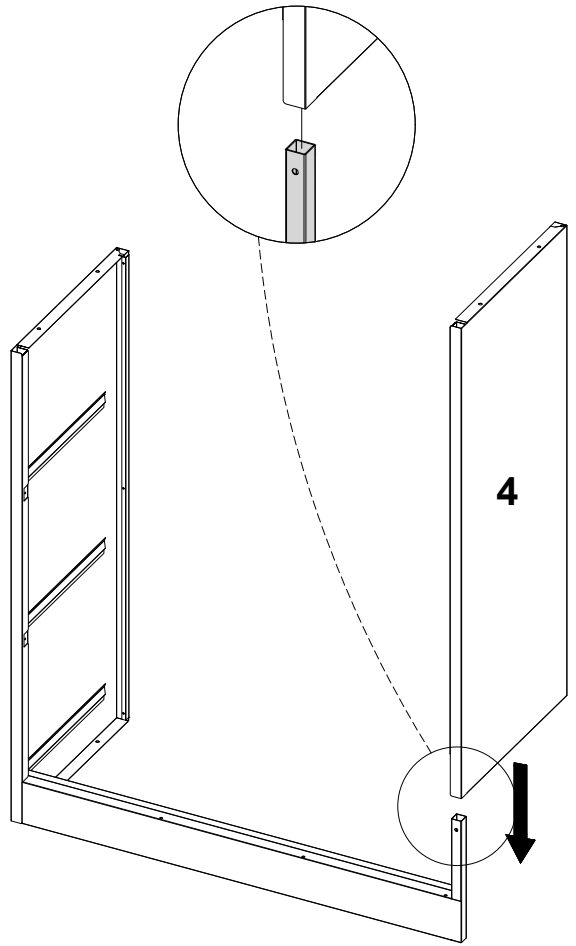
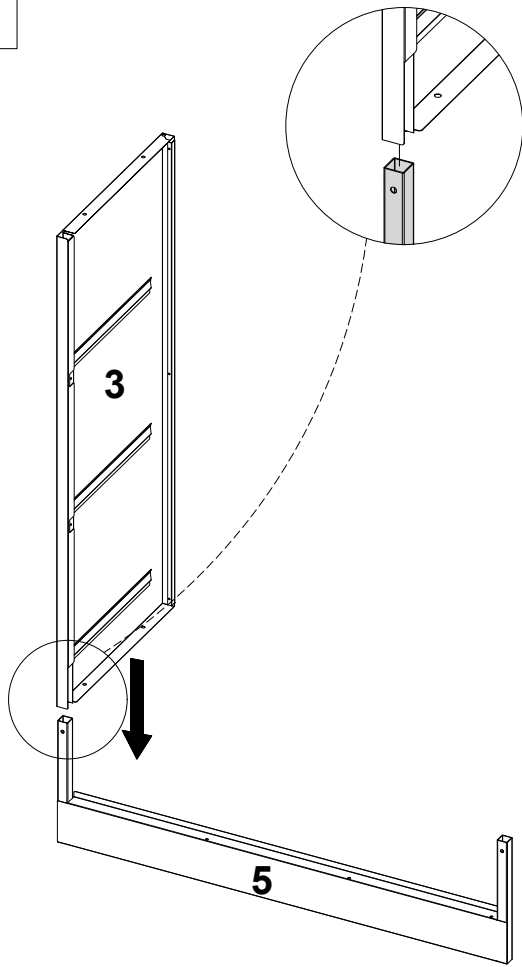


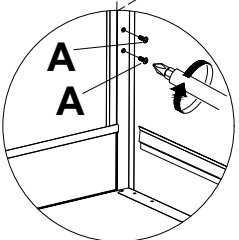
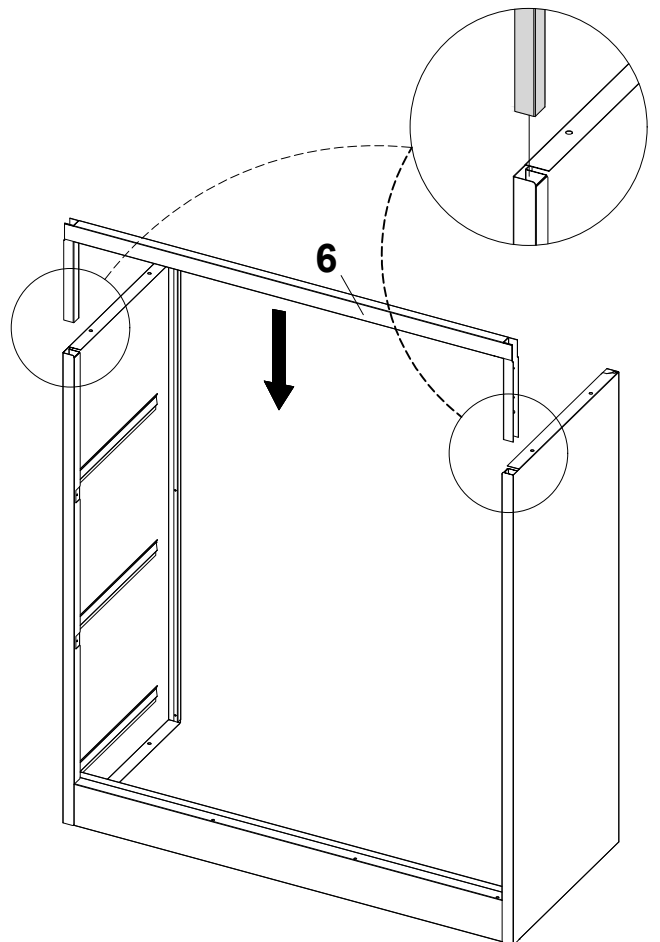
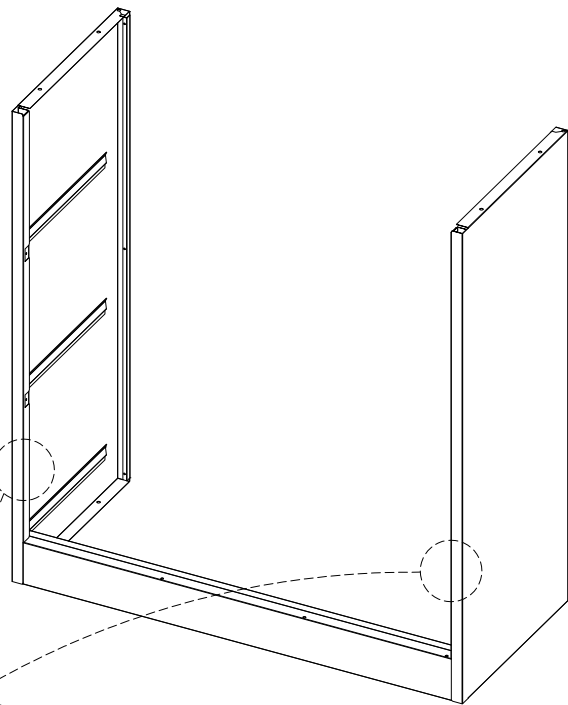
1x1		2x1		3x1		4x1	
							
5x1		6x1		8x1		9x1	
							
		7x2					
							
10x2		11x4		12x2		13x9	
							
		362x299mm 14.25x11.8inch		364x299mm 14.33x11.8inch			
Ax37	Bx9	Cx18					
							
M4x 8mm 0.3inch							



1

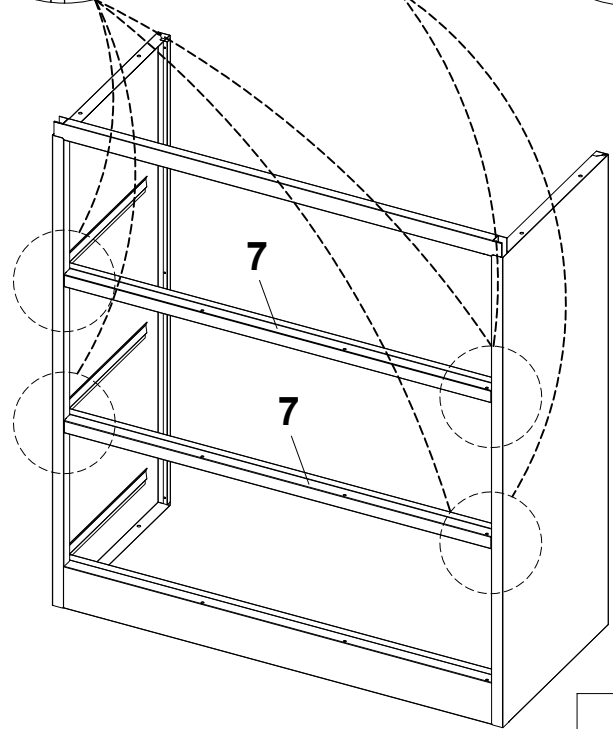
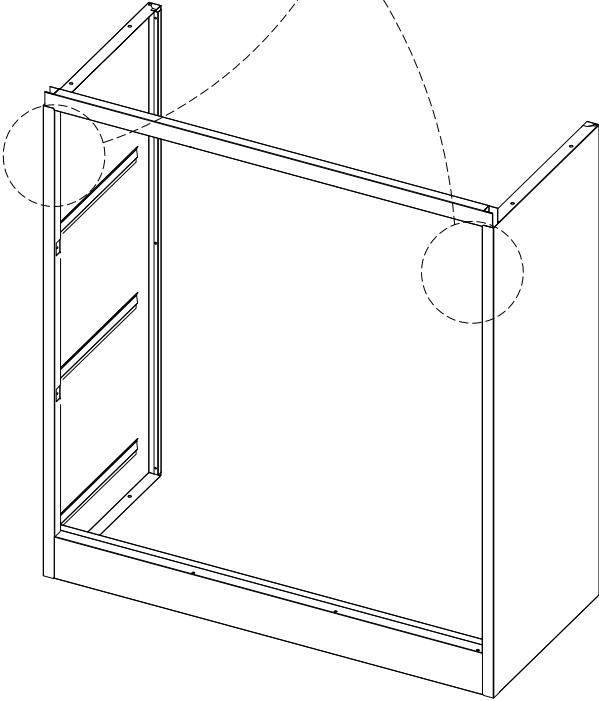
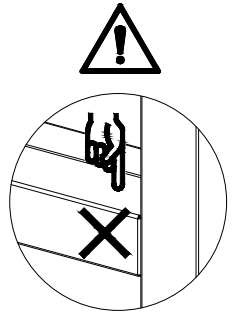
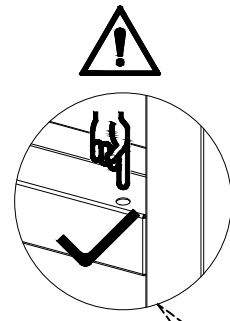
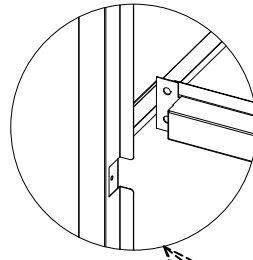
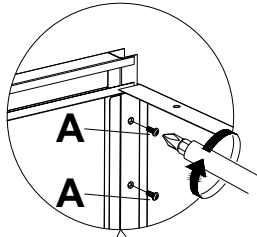


2



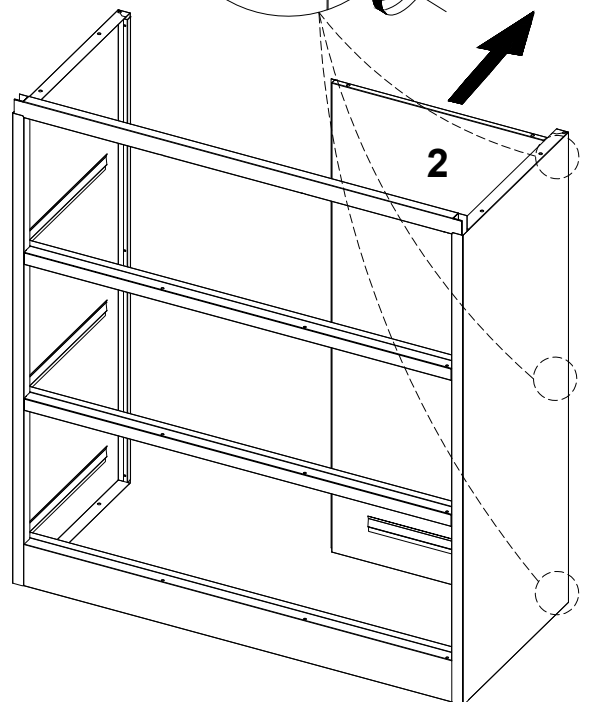
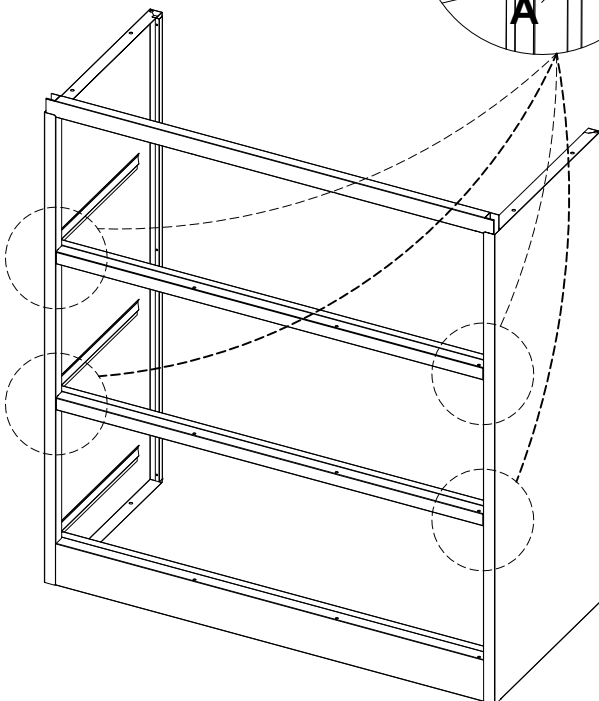
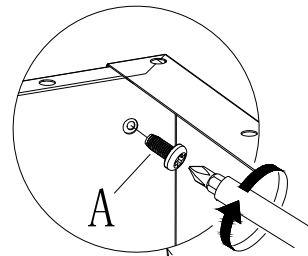
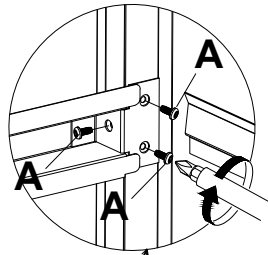
A×4

3



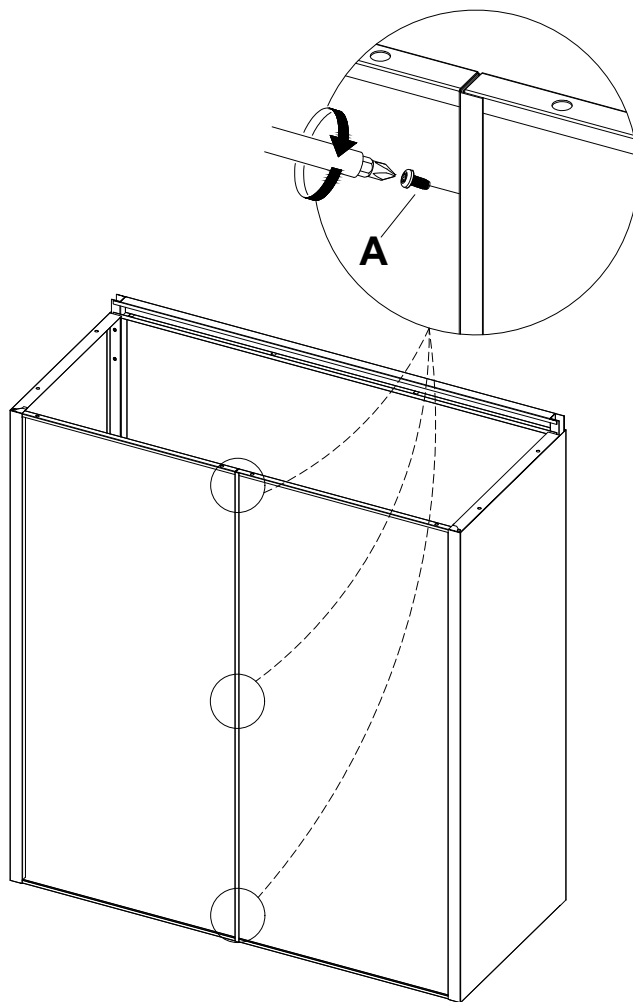
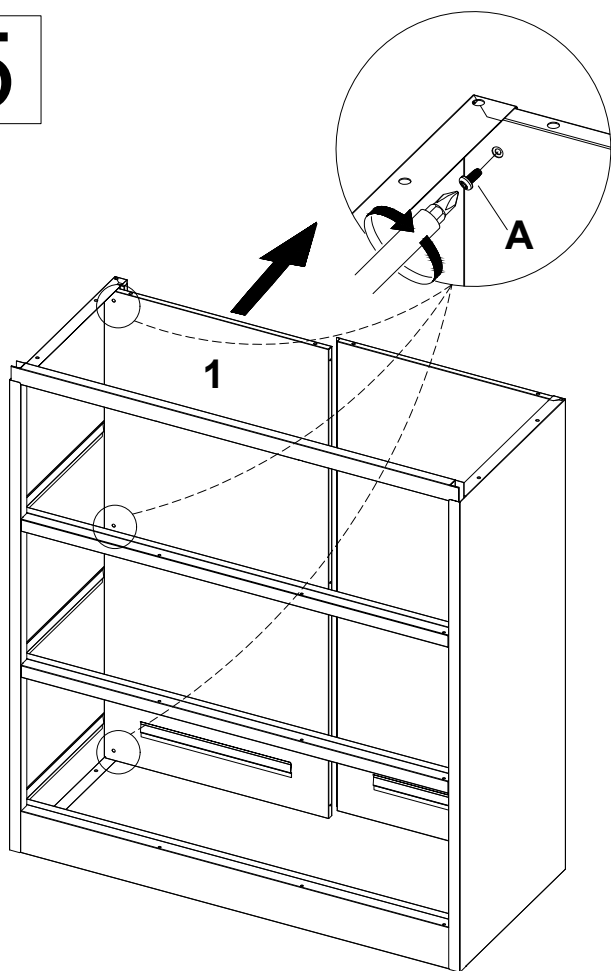
A×4

4



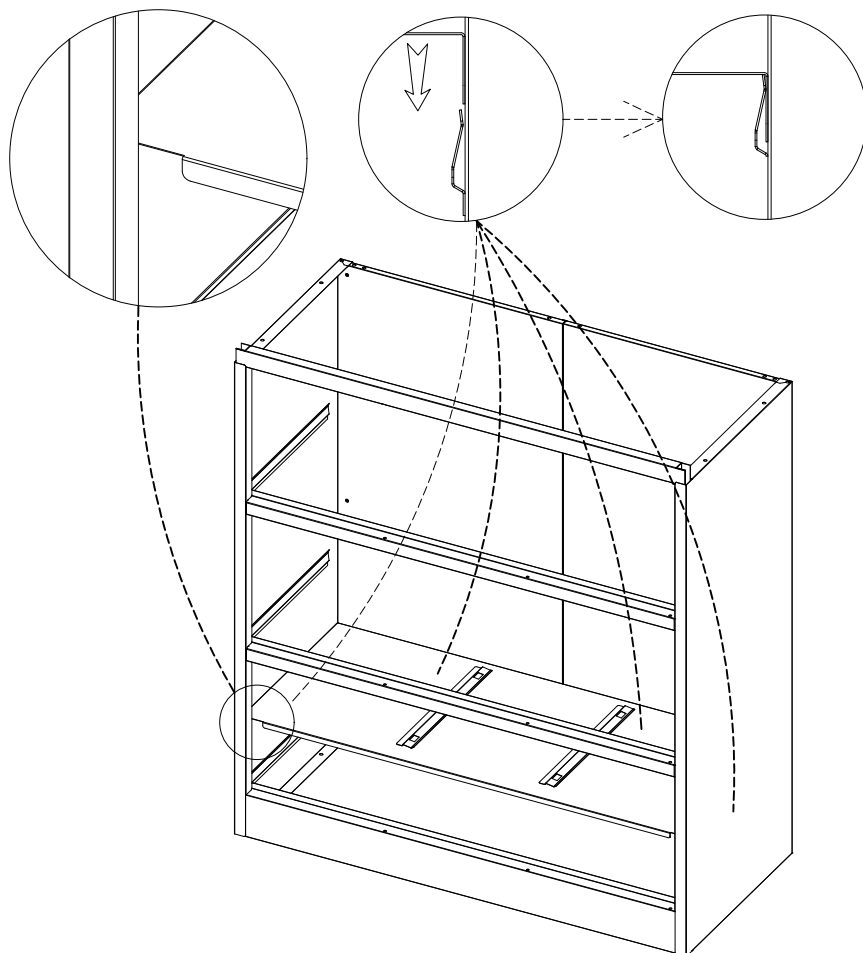
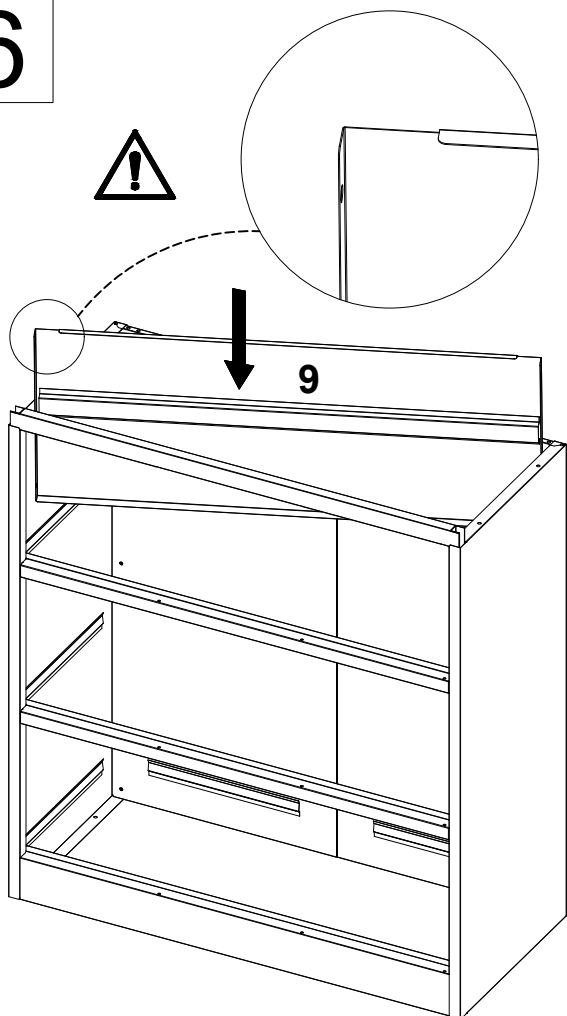
A×15

5

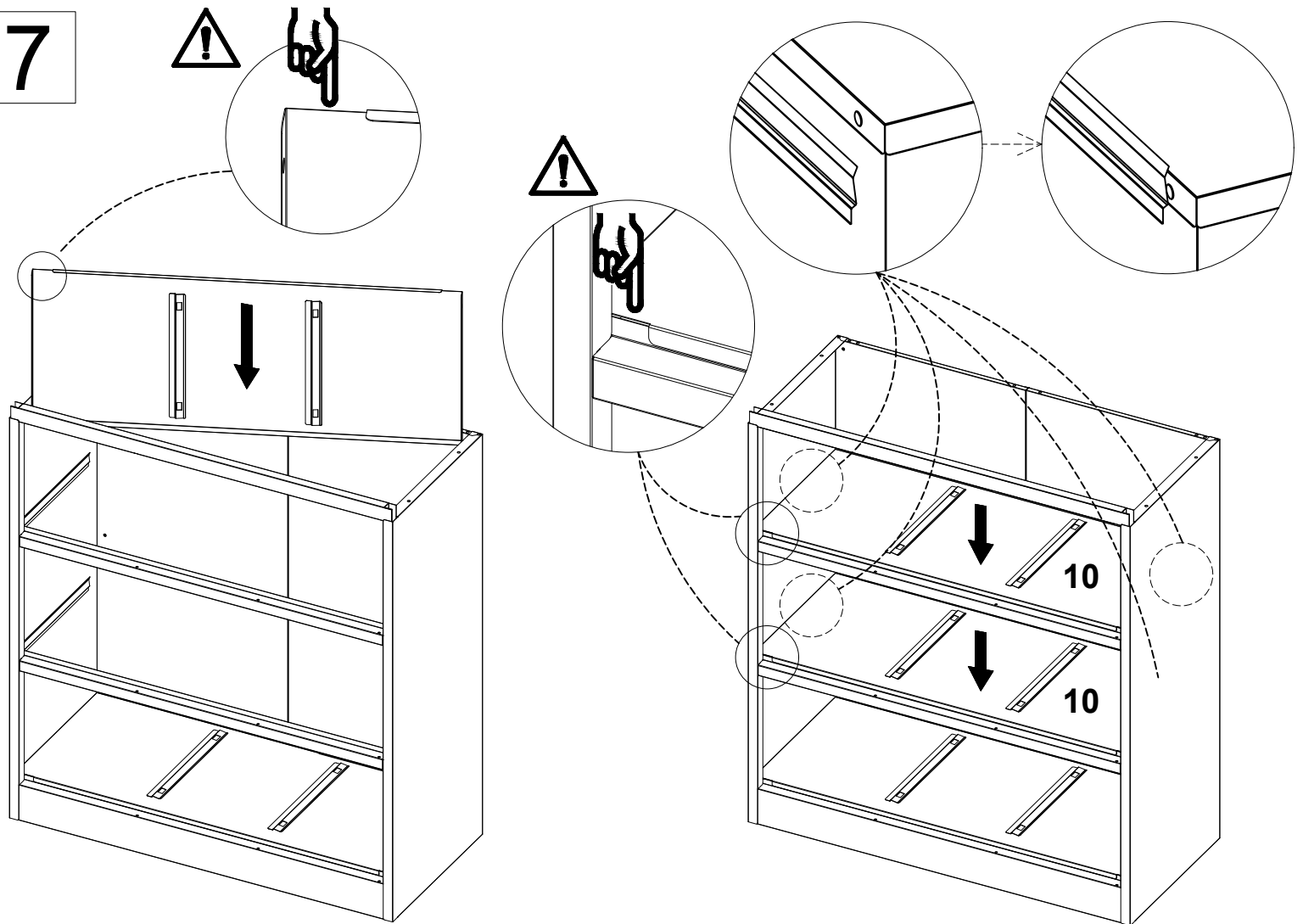


A×6

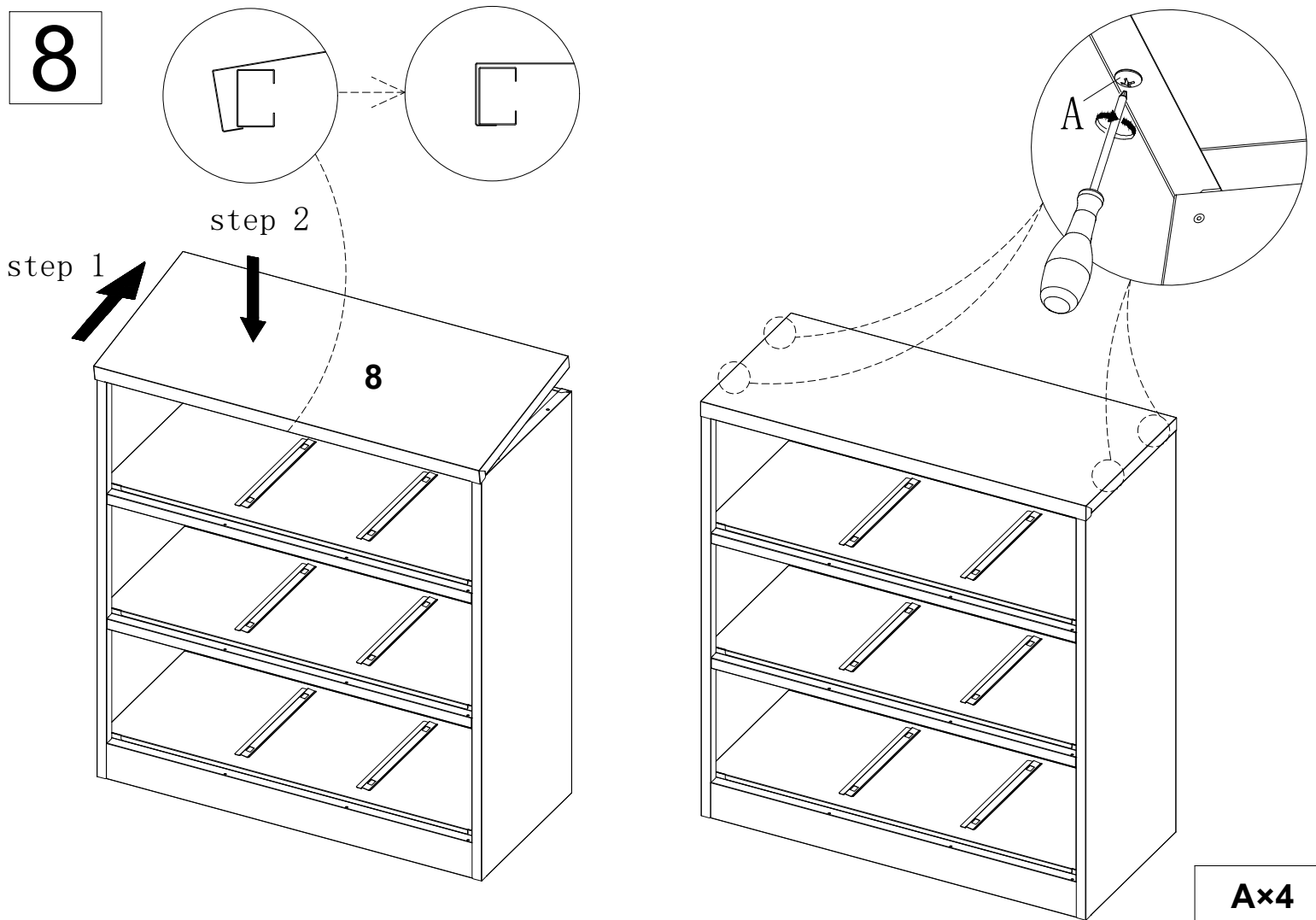
6



7

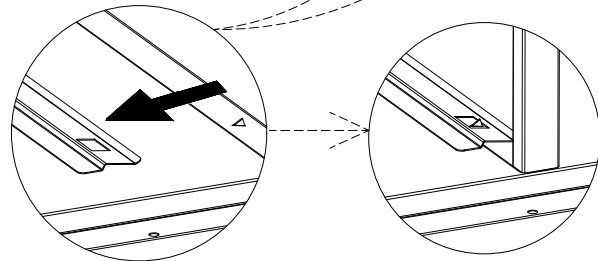
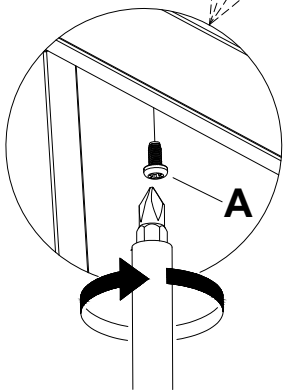
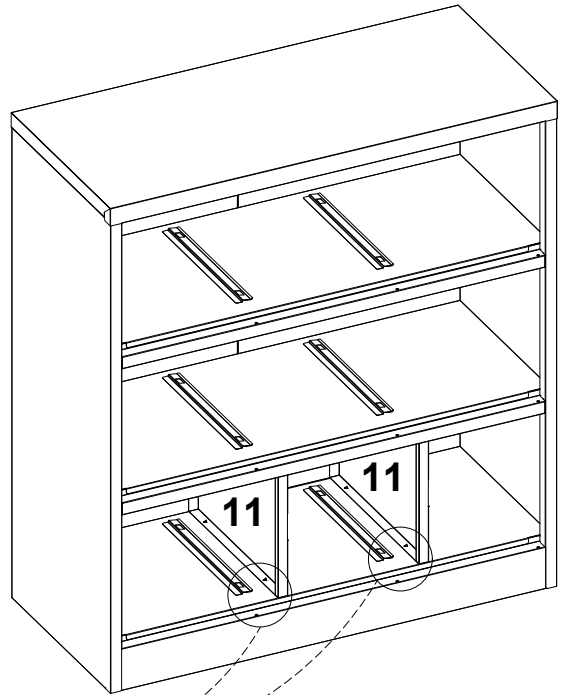
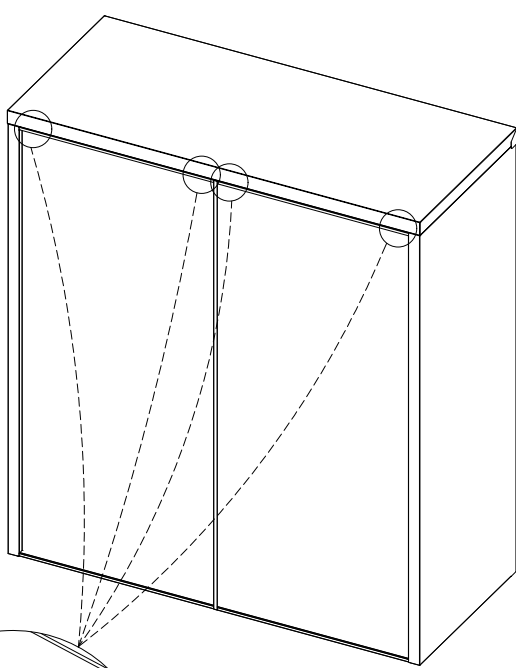


8



A x 4

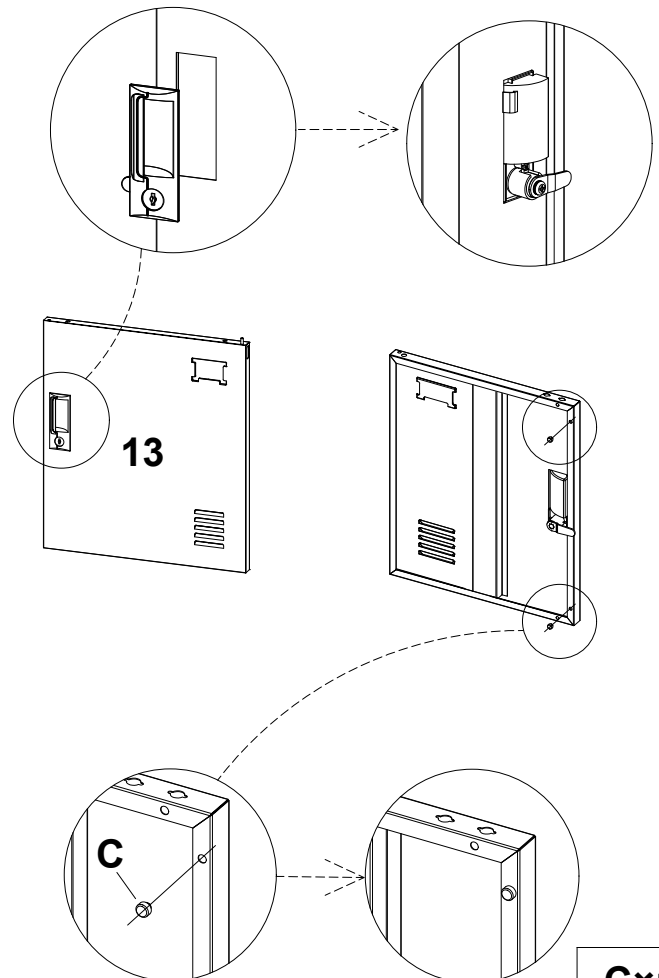
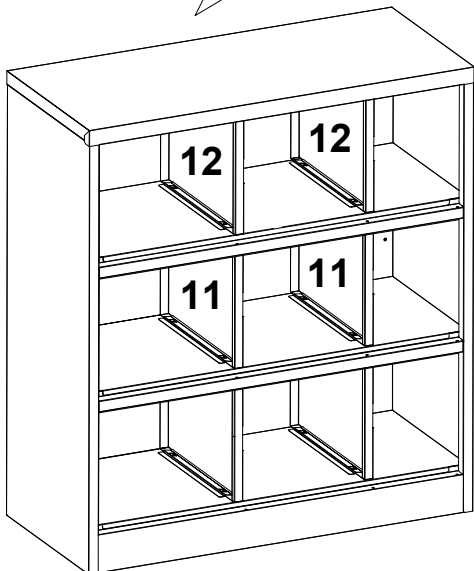
9



A×4

10

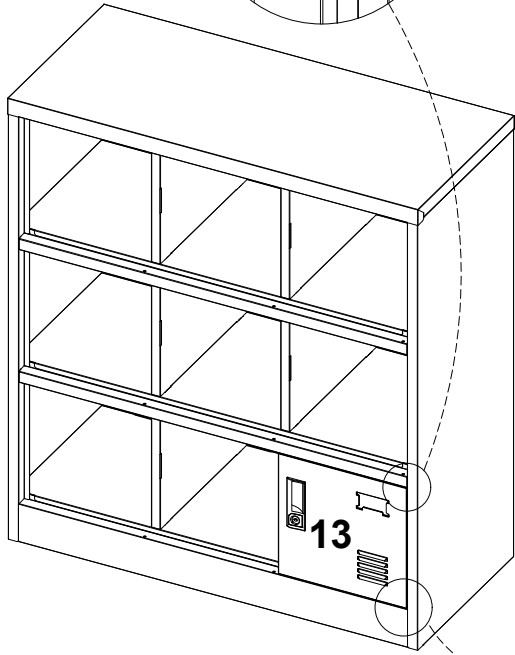
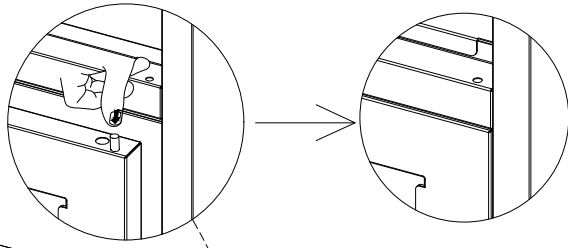
Repeat the previous step, install the **11** and **12**



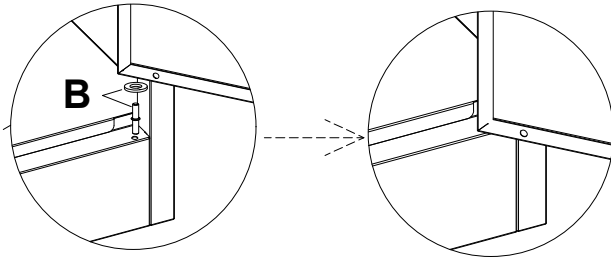
C×18

11

step2



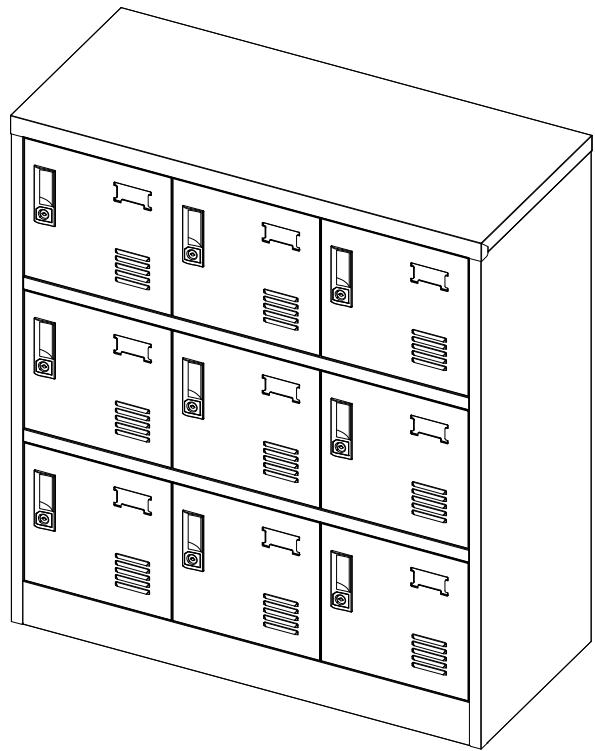
step1



Bx1

12

Repeat the previous step to complete the installation



Bx8