

INSTRUCTION MANUEL ENCLOSED

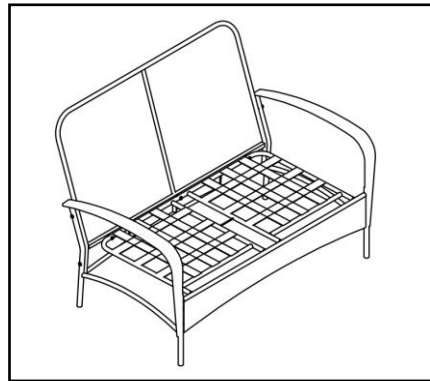
ATTENTION

**IF YOU HAVE ANY PROBLEMS OR QUESTIONS, EMAIL OR CALL
CUSTOMER SERVICE BEFORE YOU RETURN THIS PRODUCT TO THE
STORE WHERE IT WAS PURCHASED.**




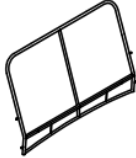

INSTRUCTION MANUEL ENCLOSED




LOVE SEAT

LOVE SEAT ASSEMBLY INSTRUCTION



| Part | DESCRIPTION | Quantity |
|-------------------|---------------|----------|
| PARTS LIST | | |
| <i>PARTS</i> | | |
| A | Right Armrest | 1 |
| B | Left Armrest | 1 |
| C | Chair Seat | 1 |
| D | Chair Back | 1 |
| <i>HARDWARE</i> | | |
| E | Bolts M6*15mm | 4 |
| F | Bolts M6*35mm | 7 |
| G | Washers | 11 |
| H | Allen Key | 1 |

| | | | | |
|--|--|--|---|---|
| A  | B  | C  | D  | E  M6*15 |
| X1 | X1 | X1 | X1 | X4 |

| | | |
|---|--|--|
| F  M6*35 | G  | H  |
| X7 | X11 | X1 |

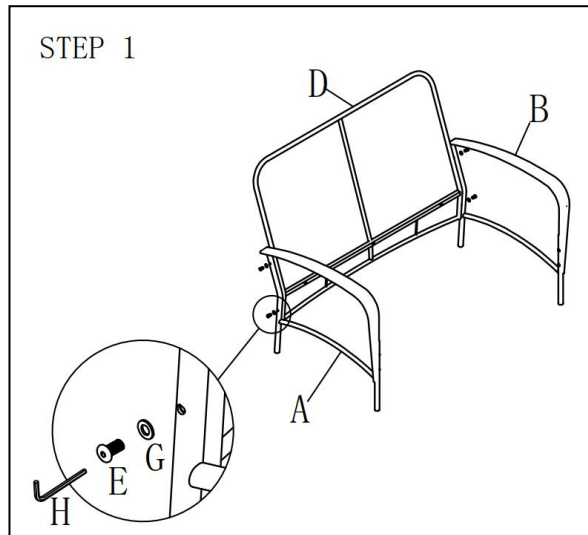
PLEASE READ AND FOLLOW ALL SAFETY TIPS

GETTING STARTED

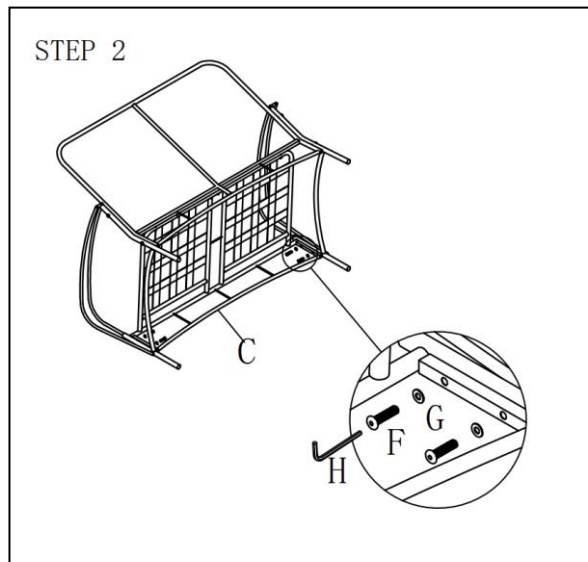
1. Before assembly, CAREFULLY use scissors or utility knife to cut and unwrap all parts. Make sure you do not discard the hardware.
2. Make sure that you have all the parts listed. If you are missing any parts, please contact Customer Service. Please identify the parts you need and model number. Make sure to include your name and address.

***Tips: Do not fasten all bolts completely tight until finish all steps.

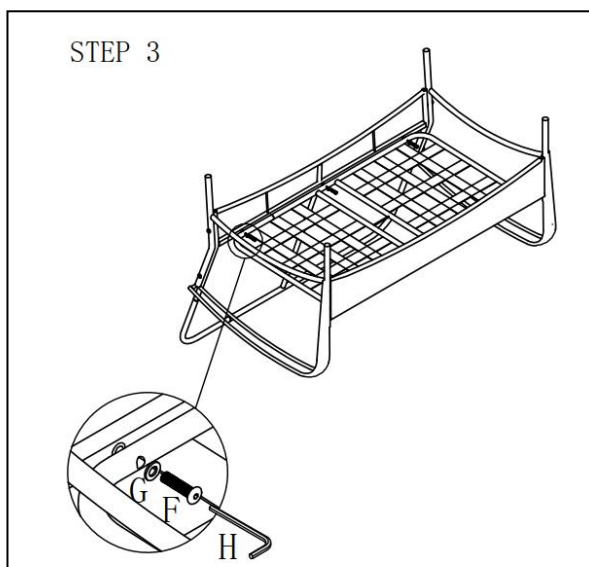
1. Locate the Armrests(A & B) to the Chair Back(D) by the pre-drilled threads. Fasten Bolts(E) with Washers(G) by using Allen Key(H) to combine armrests and chair back together. 4 bolts should be fastened totally. (Step 1)



2. Locate the Chair Seat(C) to the Armrests(A & B) by the pre-drilled threads. Fasten Bolts(F) with Washers(G) by using Allen Key(H) to combine armrests and chair seat together. 4 bolts should be fastened totally. (Step 2)



3. Locate the Chair Seat(C) to the Chair Back(D) by the pre-drilled threads. Fasten Bolts(F) with Washers(G) by using Allen Key(H) to combine chair seat and chair back together. 3 bolts should be fastened totally. (Step 3).

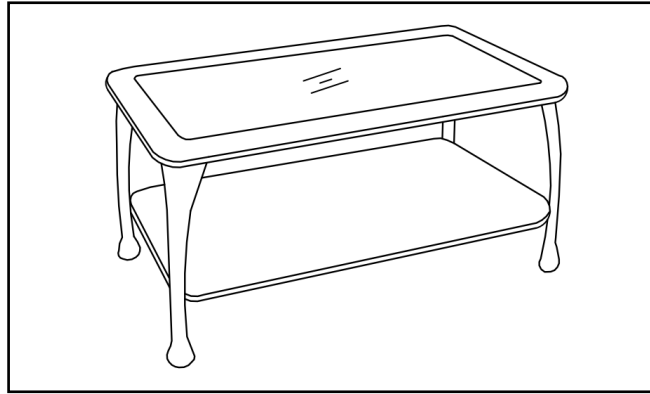


4. Fasten all bolts tight.




Till now you have finished the whole assembly and enjoy your love seat!!



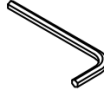
COFFEE TABLE

COFFEE TABLE ASSEMBLY INSTRUCTION



| Part | DESCRIPTION | Quantity |
|-------------------|---------------|----------|
| PARTS LIST | | |
| <i>PARTS</i> | | |
| A | Table Feet | 4 |
| B | Table Top | 1 |
| C | Table Rack | 1 |
| <i>HARDWARE</i> | | |
| D | Washers | 12 |
| E | Bolts M6*12mm | 12 |
| F | Allen Key | 1 |

| A | B | C |
|---|---|--|
|  |  |  |
| X4 | X1 | X1 |

| D | E | F |
|---|--|--|
|  |  M6*12 |  |
| X12 | X12 | X1 |

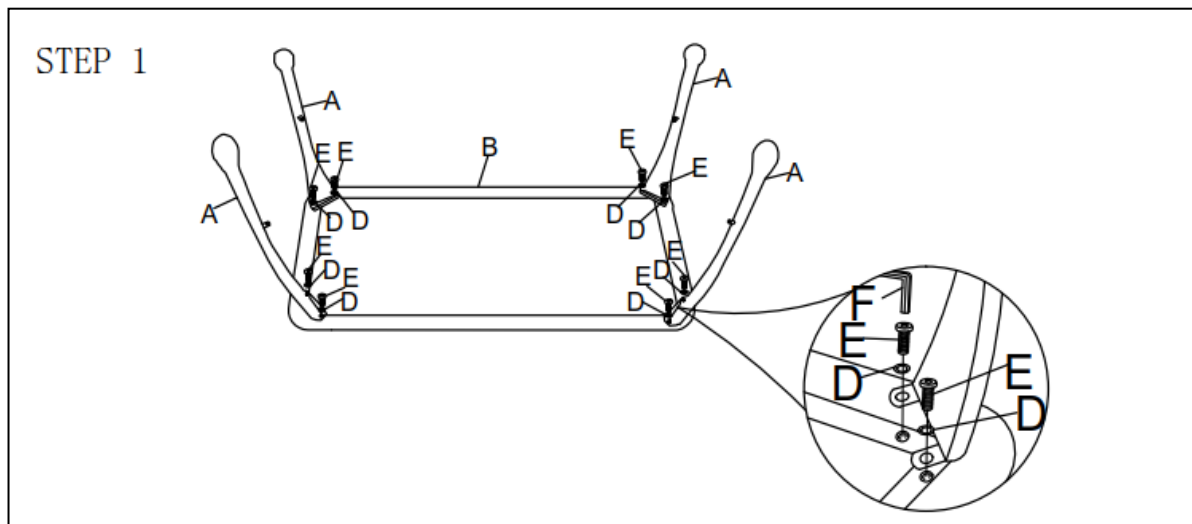
PLEASE READ AND FOLLOW ALL SAFETY TIPS

GETTING STARTED

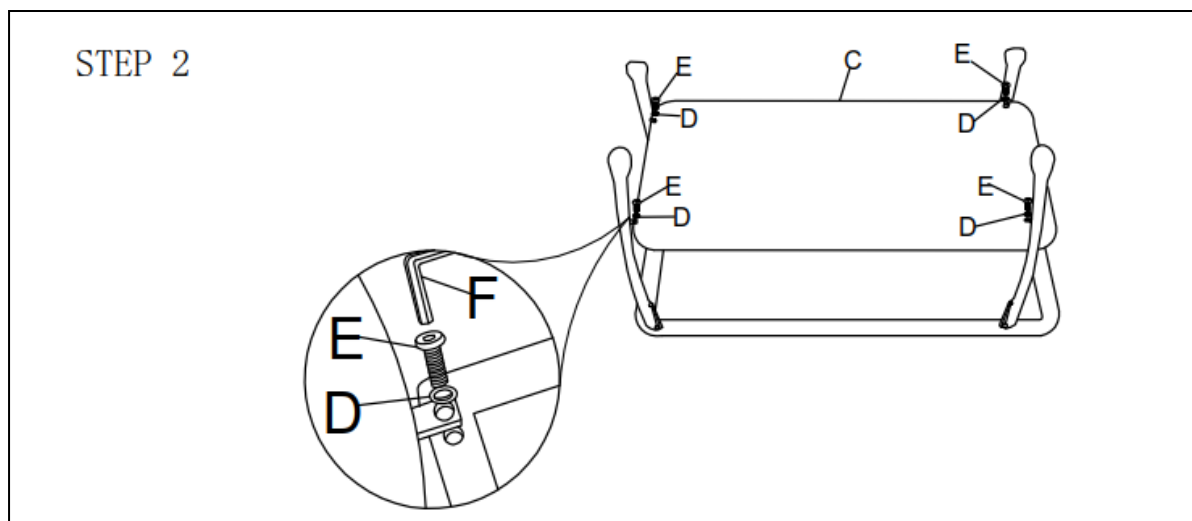
1. Before assembly, CAREFULLY use scissors or utility knife to cut and unwrap all parts. Make sure you do not discard the hardware.
2. Make sure that you have all the parts listed. If you are missing any parts, please contact Customer Service. Please identify the parts you need and model number. Make sure to include your name and address.

***Tips: Do not fasten all bolts completely tight until finish all steps.

1. Locate 4 Table Feet(A) to the Table Top(B) by the pre-drilled threads. Fasten Bolts(E) with Washers(D) by using Allen Key(F) to combine table top and table feet together. 8 bolts should be fastened totally, 2 for each foot. (Step 1)



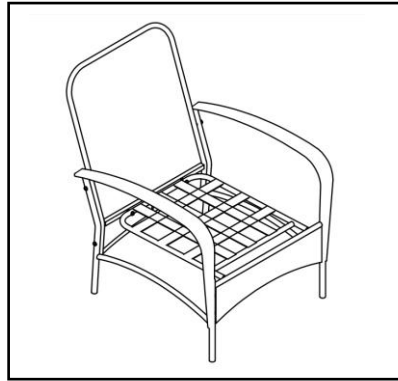
2. Locate Table Rack (C) to 4 Table Feet (A) by the pre-drilled threads. Fasten Bolts (E) with Washers (D) by using Allen Key (F) to combine table rack and table feet together. 4 bolts should be fastened totally, 1 for each corner of the rack. Now fasten all bolts tight. (Step 2)





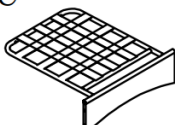


Till now you have finished the whole assembly and enjoy your coffee with the table!!



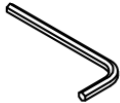
CLUB CHAIR

CLUB CHAIR ASSEMBLY INSTRUCTION



| Part | DESCRIPTION | Quantity |
|-------------------|---------------|----------|
| PARTS LIST | | |
| <i>PARTS</i> | | |
| A | Right Armrest | 1 |
| B | Left Armrest | 1 |
| C | Chair Seat | 1 |
| D | Chair Back | 1 |
| <i>HARDWARE</i> | | |
| E | Bolts M6*15mm | 4 |
| F | Bolts M6*35mm | 6 |
| G | Washers | 10 |
| H | Allen Key | 1 |

| | | | | |
|--|--|--|--|---|
| A  | B  | C  | D  | E  M6*15 |
| X1 | X1 | X1 | X1 | X4 |

| | | |
|---|--|--|
| F  M6*35 | G  | H  |
| X6 | X10 | X1 |

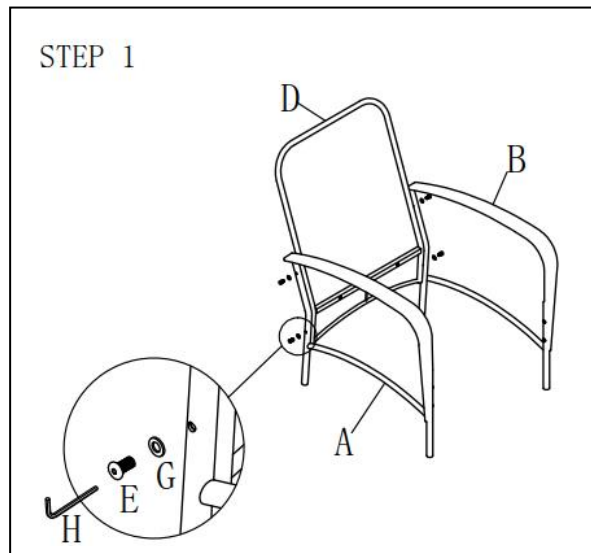
PLEASE READ AND FOLLOW ALL SAFETY TIPS

GETTING STARTED

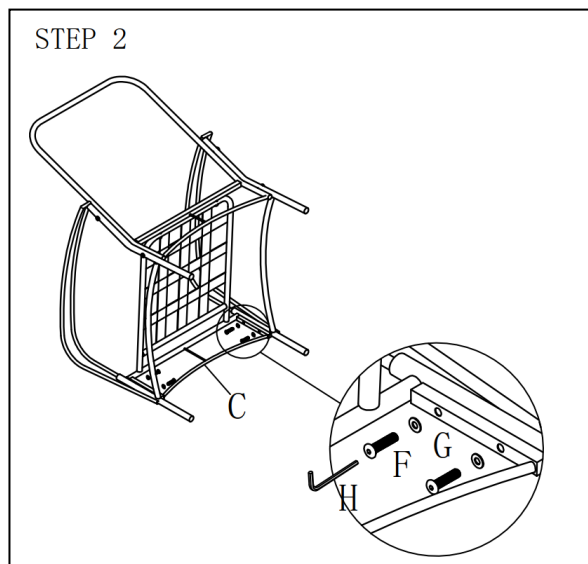
1. Before assembly, CAREFULLY use scissors or utility knife to cut and unwrap all parts. Make sure you do not discard the hardware.
2. Make sure that you have all the parts listed. If you are missing any parts, please contact Customer Service. Please identify the parts you need and model number. Make sure to include your name and address.

***Tips: Do not fasten all bolts completely tight until finish all steps.

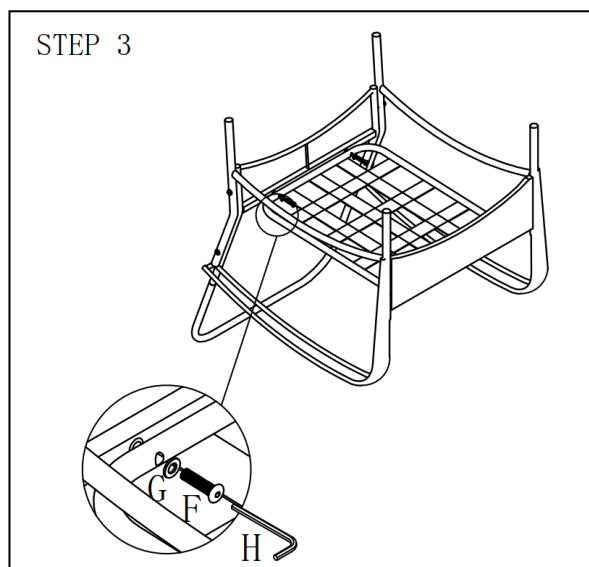
1. Locate the Armrests(A & B) to the Chair Back(D) by the pre-drilled threads. Fasten Bolts(E) with Washers(G) by using Allen Key(H) to combine armrests and chair back together. 4 bolts should be fastened totally. (Step 1)



2. Locate the Chair Seat(C) to the Armrests(A & B) by the pre-drilled threads. Fasten Bolts(F) with Washers(G) by using Allen Key(H) to combine armrests and chair seat together. 4 bolts should be fastened totally. (Step 2)



3. Locate the Chair Seat(C) to the Chair Back(D) by the pre-drilled threads. Fasten Bolts(F) with Washers(G) by using Allen Key(H) to combine chair seat and chair back together. 2 bolts should be fastened totally. (Step 3).



4. Fasten all bolts tight

Till now you have finished the whole assembly and enjoy your chair!!