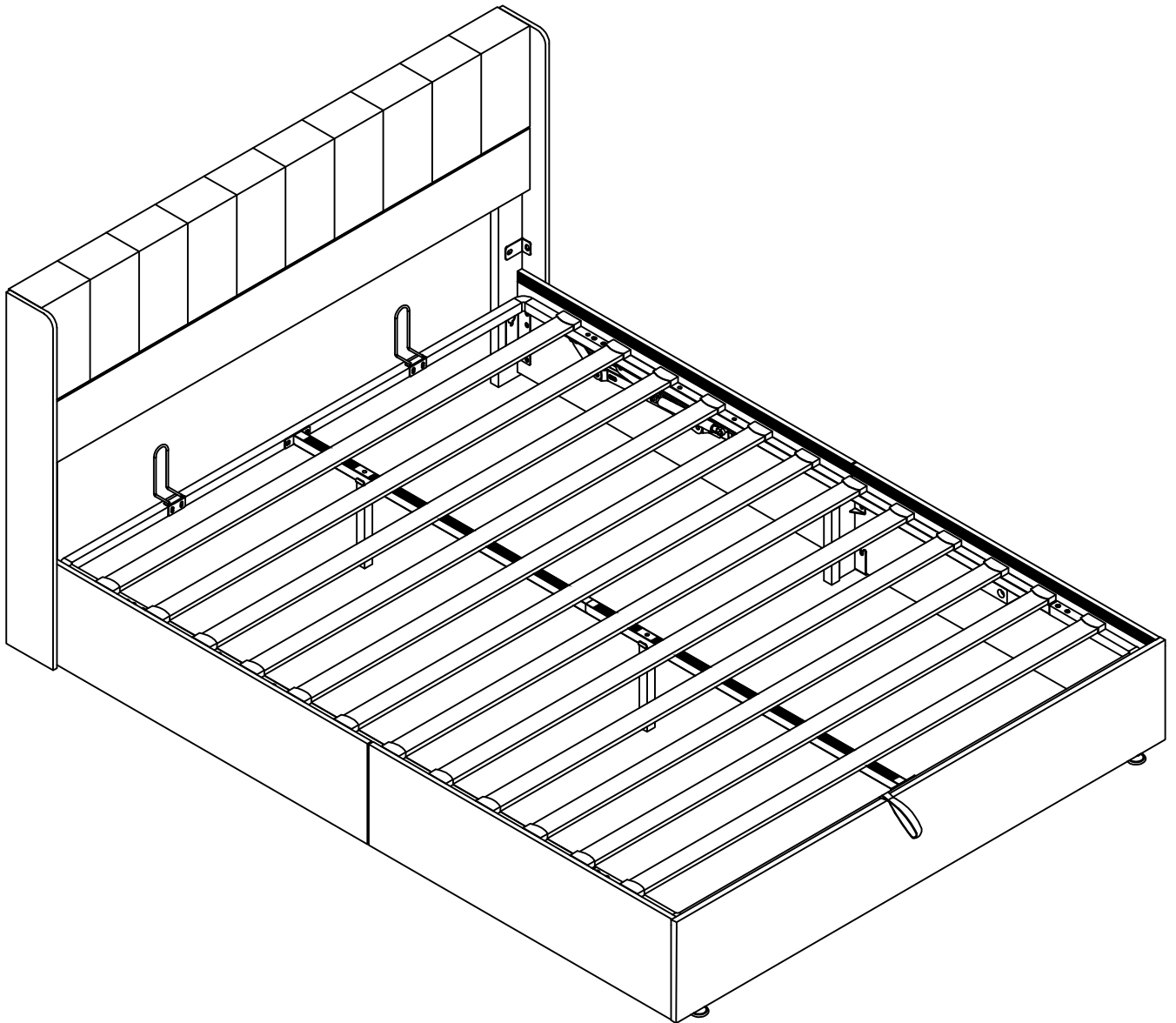


# Assembly Instructions

If you find any missing boxes, damaged parts, or accessory shortages, please contact the customer service team of your purchasing channel immediately. We will resolve the issue as quickly as possible.



## Contact Us

• Email: [service@grandtunnel.com](mailto:service@grandtunnel.com)  
Please include the following information for faster assistance:



- Order number
- Purchase platform
- Purchase date
- Detailed description of the issue along with photos



# BEFORE INSTALLATION

Thank you for choosing our product! To ensure a smooth installation process, please read this guide carefully to familiarize yourself with the required tools, materials, and steps. Follow the relevant sections to avoid any issues caused by improper installation. Be sure to review all operational and safety instructions to understand the correct installation procedures.

## Installation Guidelines

- This guide is based on the most current product information at the time of printing. We reserve the right to make changes to product features, packaging, or availability without prior notice.
- Ensure that all necessary electrical or environmental preparations are completed before assembling the product.
- This manual contains important instructions for installation, cleaning, and maintenance. Please read and keep it for future reference.

## Pre-Installation Checklist

### 1. Inspect the Product

Before installation, carefully check the product for any damage or defects.

### 2. Ensure a Stable Installation Surface

Install the bed on a clean, flat surface to maintain stability and balance.

### 3. Avoid Unfavorable Environments

Avoid placing the bed in damp areas or areas exposed to prolonged direct sunlight.

### 4. Protect During Installation

Handle the product with care during installation, using protective materials (such as soft cloths) to prevent scratches.

### 5. Contact for Assistance

If you have any questions or require technical support, refer to the customer service contact information provided in this guide.

## Usage and Maintenance Recommendations

### 1. Regular Cleaning

Clean the product regularly to maintain hygiene and prevent bacterial growth. Use a damp cloth that has been wrung out to avoid surface scratches.

### 2. Prevent Corrosion

Avoid contact with acidic or alkaline substances.

### 3. Use Authorized Replacement Parts Only

Do not use unauthorized replacement parts. If replacement is necessary, contact the manufacturer or an authorized dealer.

### 4. Cleaning Precautions

Do not machine wash or rinse any part of the product with water.



# SAFETY WARNINGS

## 1. Follow Warning Labels

Do not remove warning labels from the product or packaging. Always adhere to the displayed safety instructions.

## 2. Regular Inspections

Regularly check all components of the product to ensure they are correctly installed, undamaged, and securely fastened.

## 3. Safe Usage

Do not play, jump, or engage in activities on or under the bed that could cause injury or damage.

## 4. Rope Hazards

Do not attach ropes, hooks, straps, or any other non-designated items to any part of the bed.

## 5. Retain this Manual

Keep this manual in a safe place for future reference.

## 6. Shared Responsibility

Safety is a shared responsibility between the manufacturer and the user. Please ensure all safety precautions are followed during use.

## Disclaimer

We are committed to providing safe and reliable products to our customers. Should you have any questions or require further support, please do not hesitate to contact our customer service team.

# CUSTOMER SERVICE GUIDE

---

Thank you for choosing our product! We are committed to providing you with excellent service. If you find any missing parts, damaged packaging, or product damage after receiving all packages, please follow the steps below to quickly contact our customer service team. We will do our best to resolve your issue.

## 1. Missing Parts

Verify Parts:

1. Refer to the "Parts List" in the manual to verify the name, specifications, and quantity of the missing parts.
2. Take a clear photo of the parts list and mark the missing parts with detailed information, e.g., "Missing 5 pieces of M6×30mm screws."

**Contact Us:**

- By Email:

Send an email to [service@grandtunnel.com](mailto:service@grandtunnel.com), with the subject line "Missing Parts Issue."

Include the following in the email:

- A description of the missing parts and a photo of the parts list.
- Order details (order number, purchase platform, purchase date).

## 2. Product or Packaging Damage

If it affects normal use:

Steps:

1. Take clear photos or videos showing the damaged parts and the extent of the damage (multi-angle shots are recommended).
2. Email the photos/videos along with order details to [service@grandtunnel.com](mailto:service@grandtunnel.com), with the subject line "Product Damage Issue."

Resolution:

After verification, we will arrange for a replacement part, product exchange, or refund as quickly as possible.

If it does not affect normal use:

Steps:

1. Contact our customer service team (by email: [service@grandtunnel.com](mailto:service@grandtunnel.com)).
2. Provide a description of the damage and include relevant photos or videos.

Resolution:

We will provide repair guidance or an appropriate compensation plan based on the specific situation.

Contact Us

- Customer Service Email: [service@grandtunnel.com](mailto:service@grandtunnel.com)

Helpful Tips

To process your issue efficiently, please prepare the following information:

- Order details (order number, purchase platform, purchase date).
- Clear photos or videos.
- We are committed to providing quick and professional solutions, no matter the size of the issue, to ensure your satisfaction.

Thank you for your trust and support! We hope you enjoy using our product!

# Hardware and Parts List Guidelines

## 1. Check All Parts

- . Ensure all components are included before assembly.
- . Contact customer service if any parts are missing or damaged.

## 2. Organize Before Assembly

- . Lay out all panels and hardware for easy identification.
- . Keep small parts grouped to prevent loss.

## 3. Use Correct Hardware

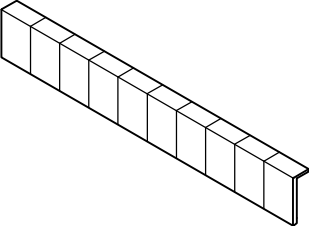
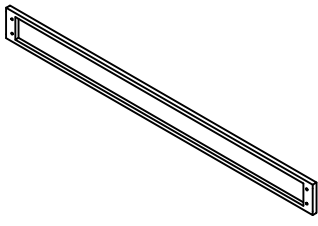
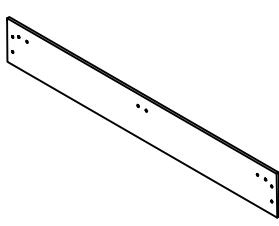
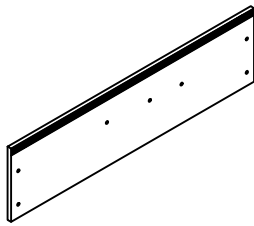
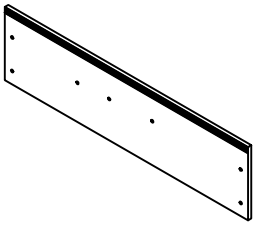
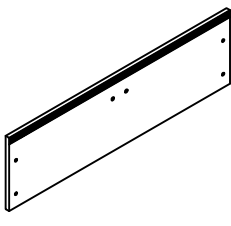
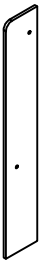

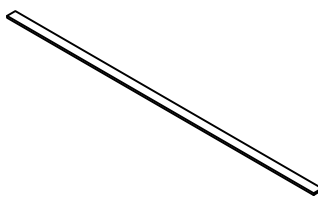

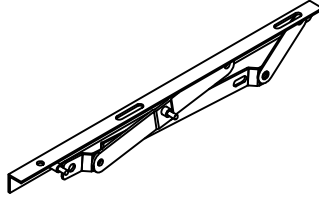
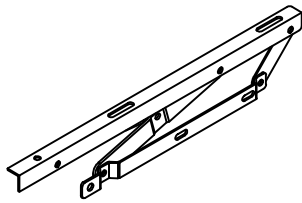
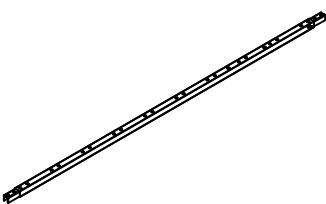
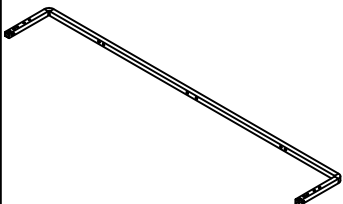
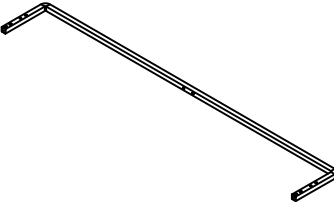
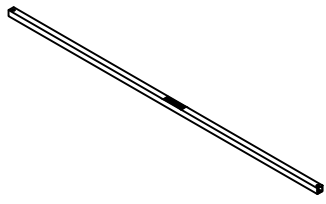
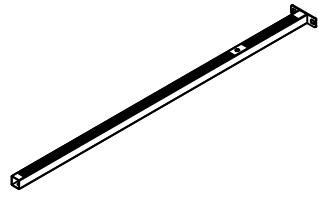
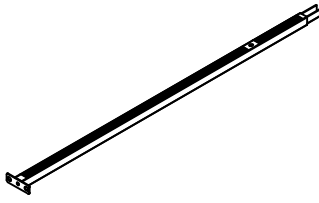
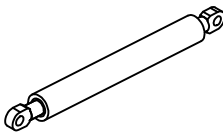
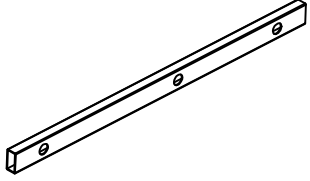
- . Follow the instructions carefully to use the specified screws and fasteners.
- . Avoid using substitute parts to ensure stability.

## 4. Tightening Instructions

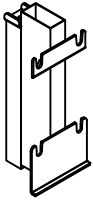

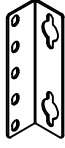
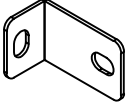
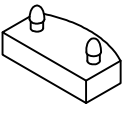
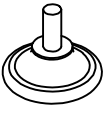
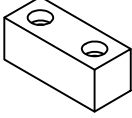
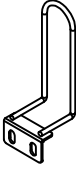

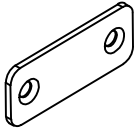
- . Partially tighten screws first, then fully secure once aligned.
- . Tighten evenly for a stable structure.

## 5. Safety Reminder

- . Handle small parts carefully and keep them away from children.
- Once confirmed, proceed with assembly as instructed.

1	1PC	2	1PC	3	1PC	4	1PC
							
5	1PC	6	2PCS	7	1PC	8	1PC
							
10	12PCS	11	2PCS	12	1PC	13	1PC
							
14	2PCS	15	1PC	16	1PC	17	1PC
							
18	1PC	19	1PC	20-Q	2PCS	21	2PCS
							

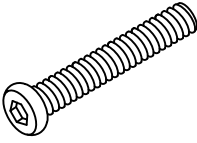
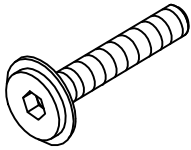
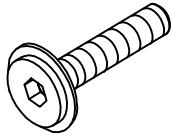
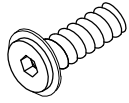
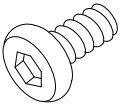
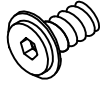
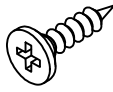
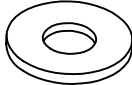
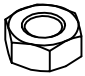
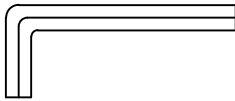
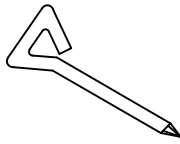
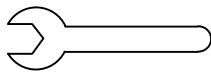
## Fittings

22	2PCS	23	2PCS	24	4PCS	25	4PCS
							
26	24PCS	27	2PCS	28	5PCS	29	2PCS
							
30	1PC	31	1PC				
							

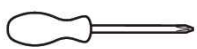
Please confirm that you have all the fittings listed below before starting assembly.

Note: The quantities provided are sufficient to complete the assembly. In some cases, extra fittings may be included for convenience.

For missing boxes, damaged parts, or missing accessories, contact customer service immediately for assistance.

X1	8PCS	X2	4PCS	X3	16PCS	X4	10PCS
							
M8*50mm		M8*45mm		M8*40mm		M8*30mm	
X5	36PCS	X6	8PCS	X7	2PCS	Y1	8PCS
							
M8*18mm		M8*14mm		M4*16mm		$\phi 22 * \phi 8.5$	
Y2	10PCS	Z1	1PC	Z2	1PC	Z3	1PC
							
M8		M5		M5		M13	

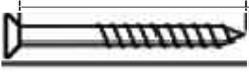
## TOOLS REQUIRED



Phillips screwdriver  
(medium & large)

## RULER - USE THIS RULER TO HELP CORRECTLY IDENTIFY THE SCREWS

0 5 10 15 20 25 30 35 40 45 50 55 60 65 70 75 80 85 90 95 100 105 110 115 120 125 130 135 140 145 150 155 160 165 170



The screws length is measured from the head to the point (30mm screw shown).

## TOOLS & EQUIPMENT



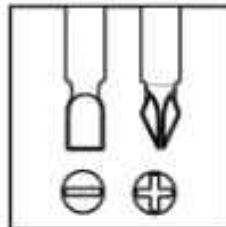
2 people needed



Work gloves



Tape measure



Other Tools Required  
*.Phillips Screwdriver*  
(Not Included)

## SIMPLE ASSEMBLY STEPS

1. Carefully read the manual to ensure you understand all steps.
2. Check all parts and hardware to confirm everything is included.
3. Prepare necessary tools, such as a screwdriver and rubber mallet.
4. Ensure at least two adults participate in the assembly process for safety and efficiency.

### Precautions:

1. Assemble on a flat surface to ensure product stability and balance.
2. During assembly, do not fully tighten all screws immediately. Adjust to the optimal position before fully securing them.
3. To protect the product and your floor, use protective materials (e.g., towels or tissue paper).

To make the assembly process easier and smoother, it is recommended to complete it with two or more adults.

### Important:

Before starting assembly, thoroughly read the instructions to ensure the process is performed correctly.

# STORAGE BED FRAME

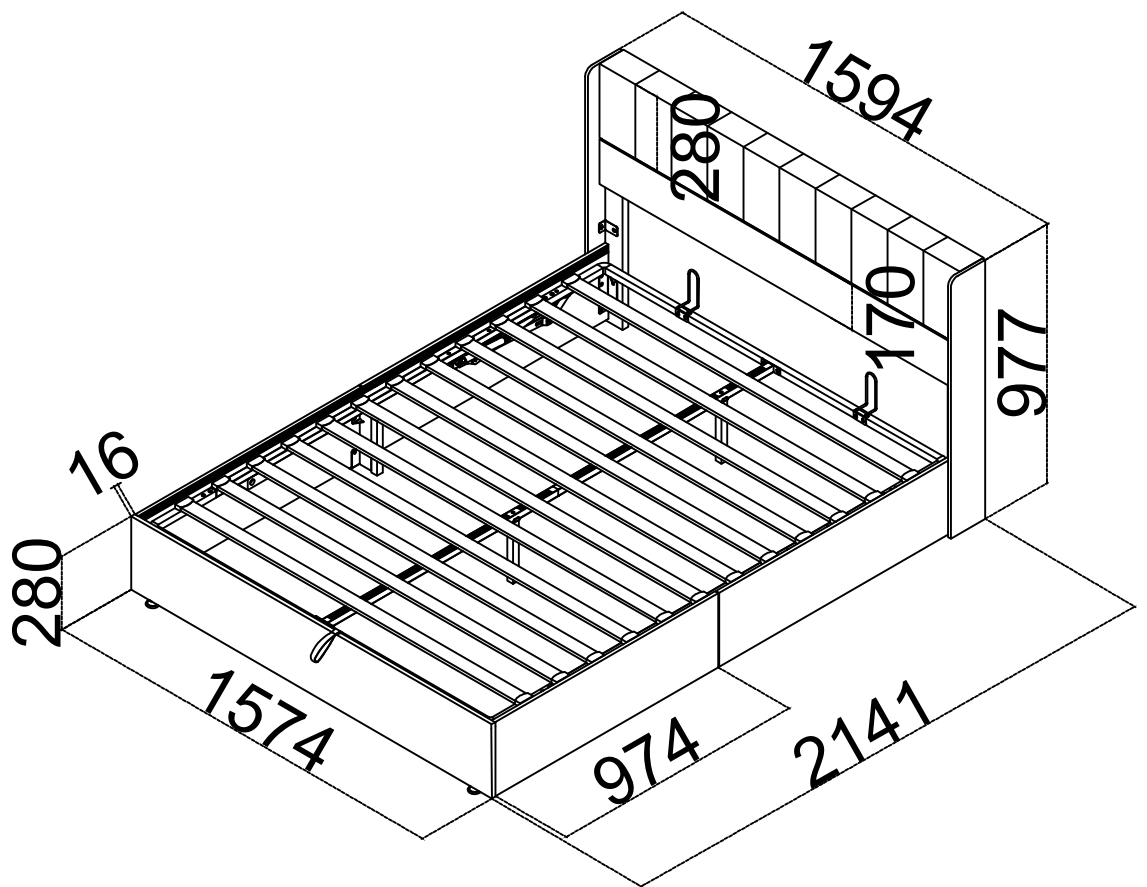
ASSEMBLY INSTRUCTIONS - PLEASE KEEP FOR FUTURE REFERENCE



## NOTE:

Important:

Before starting assembly, thoroughly read the instructions to ensure the process is performed correctly



Contact Us

- Email: [service@grandtunnel.com](mailto:service@grandtunnel.com)

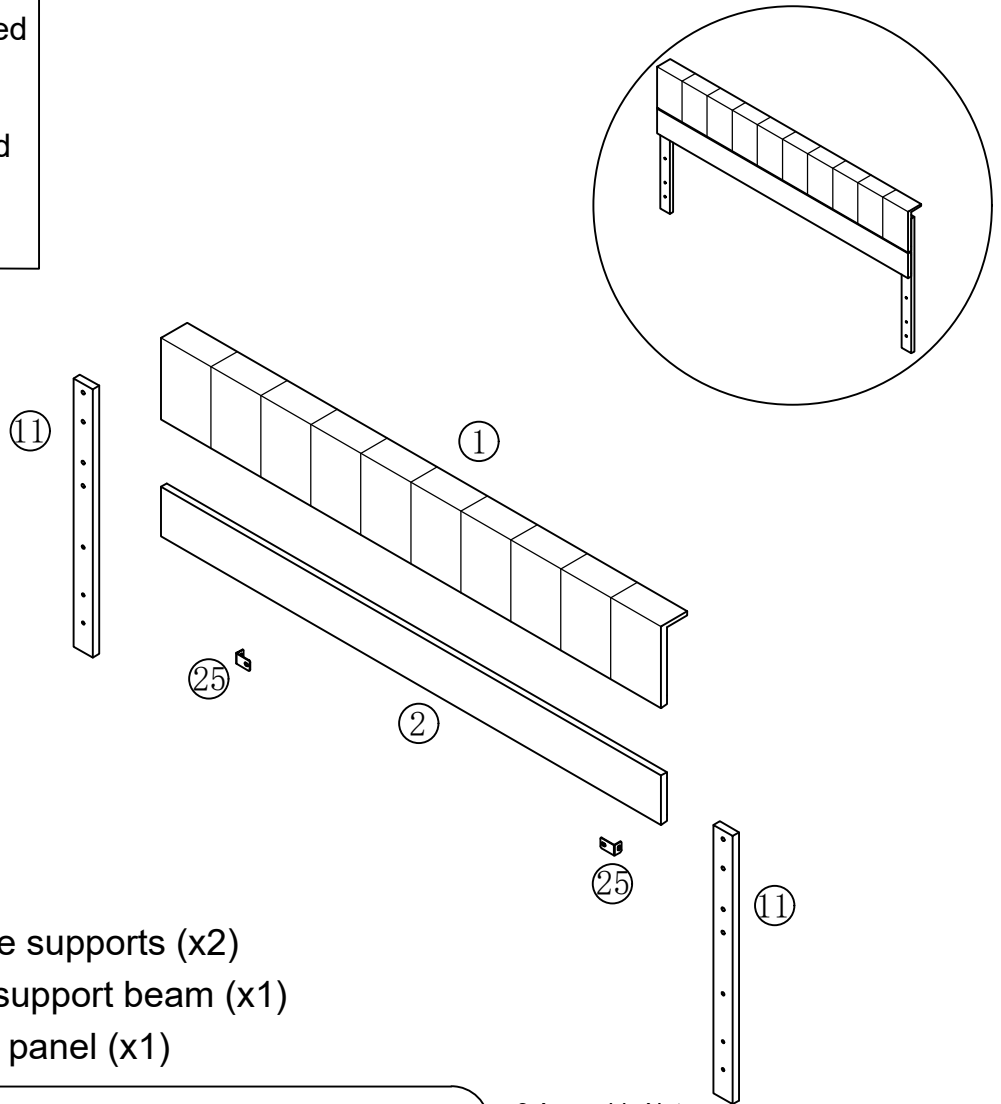
Please include the following information for faster assistance:

- Order number
- Purchase platform
- Purchase date
- Detailed description of the issue along with photos

Important - Please read these instructions fully before starting assembly

# Headboard Section Assembly Instructions

The headboard section assembly consists of 4 labeled panels as illustrated in the diagram. Before starting assembly, ensure all required panels are present and prepared for use.



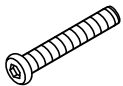
## 2.Required Components

### Panels:

- Panel 1 – Vertical side supports (x2)
- Panel 2 – Horizontal support beam (x1)
- Panel 3 – Headboard panel (x1)

## Hardware Accessories

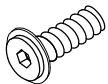
X1



M8\*50mm

8PCS

X4



M8\*30mm

4PCS

Y1



∅22\*∅8.5

8PCS

## 3.Assembly Notes

- Before beginning assembly, check that all panels and hardware components are accounted for.
- If any parts are missing or damaged, contact customer service for a replacement before proceeding.
- Follow the provided diagram carefully to ensure proper alignment and secure fastening of all components.

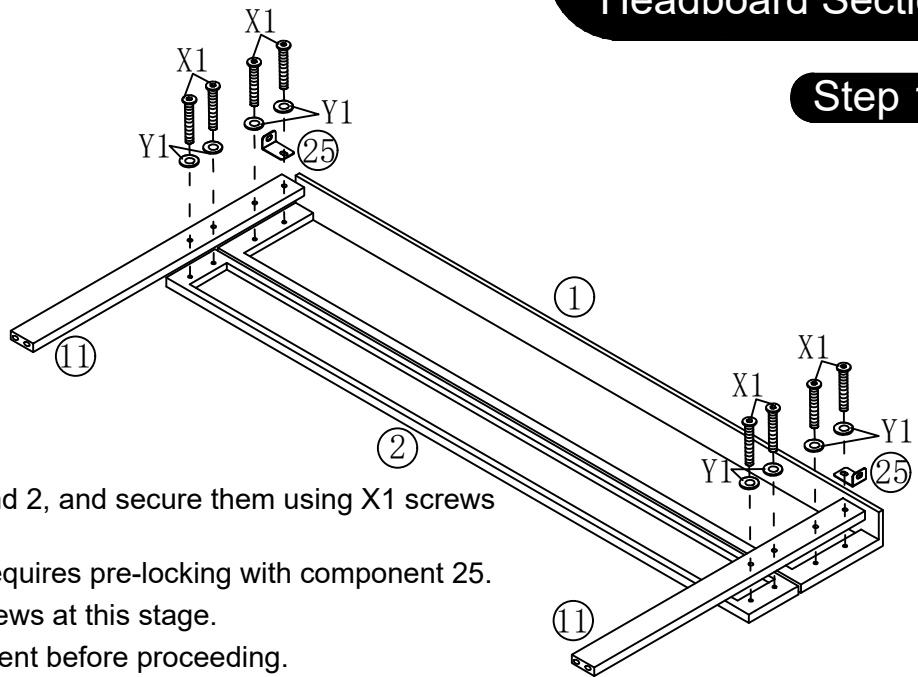
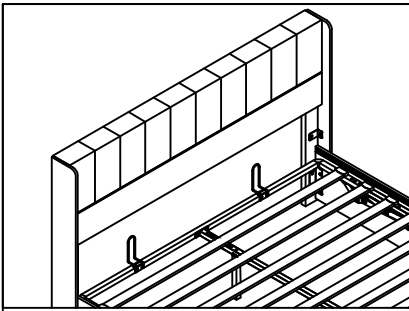
## 4.Safety & Assembly Tips

- Assemble the unit on a flat, protected surface to prevent scratches or damage.
- Do not over-tighten screws; ensure all connections are secure but not forced.
- Keep all hardware organized to avoid missing components during assembly.
- Seek assistance if needed, especially when handling large or heavy parts.

Once all panels and hardware are confirmed, proceed with the assembly following the step-by-step instructions provided in the subsequent sections.

## Headboard Section

### Step 1

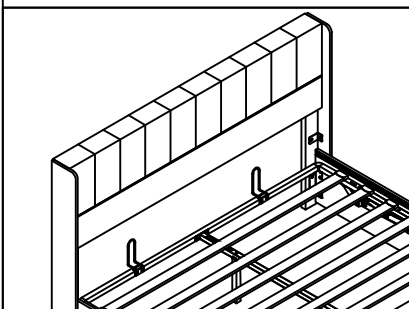
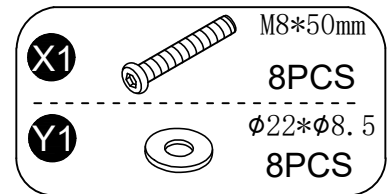


Attach panel 11 to panels 1 and 2, and secure them using X1 screws and Y1 washers.

- The first hole on panel 1 requires pre-locking with component 25.
- Do not fully tighten the screws at this stage.
- Ensure proper hole alignment before proceeding.

#### Important Notes:

- Ensure hole alignment before securing.
- Keep screws slightly loose to adjust the structure as needed.



Once secured, proceed with the next assembly steps as per the instructions.

## Headboard Section

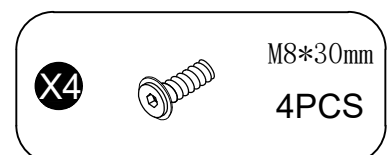
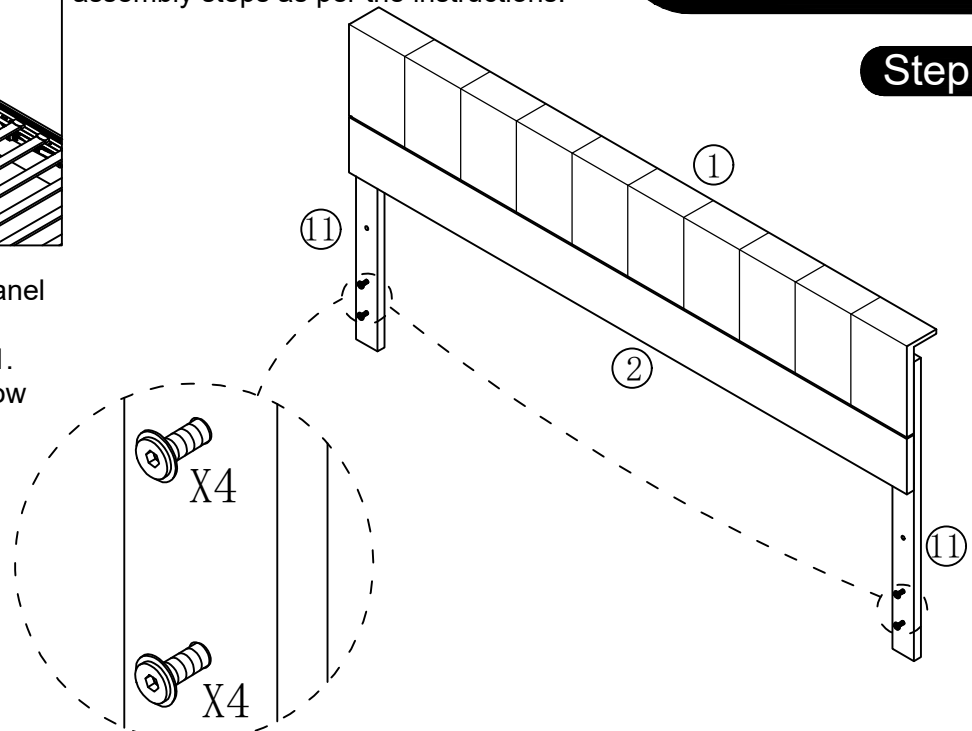
### Step 2

Secure the Headboard Panel 11.

1. Pre-lock Screws X4 (M8\*30mm) into Panel 11.
2. Tighten only 70% to allow minor adjustments before final tightening.

**Final Checkpoints**  
Ensure the headboard frame is aligned and stable. Adjust screws if necessary before final tightening. Fully secure all screws after confirming alignment.

**Pre-locking screw "X4" 70%**

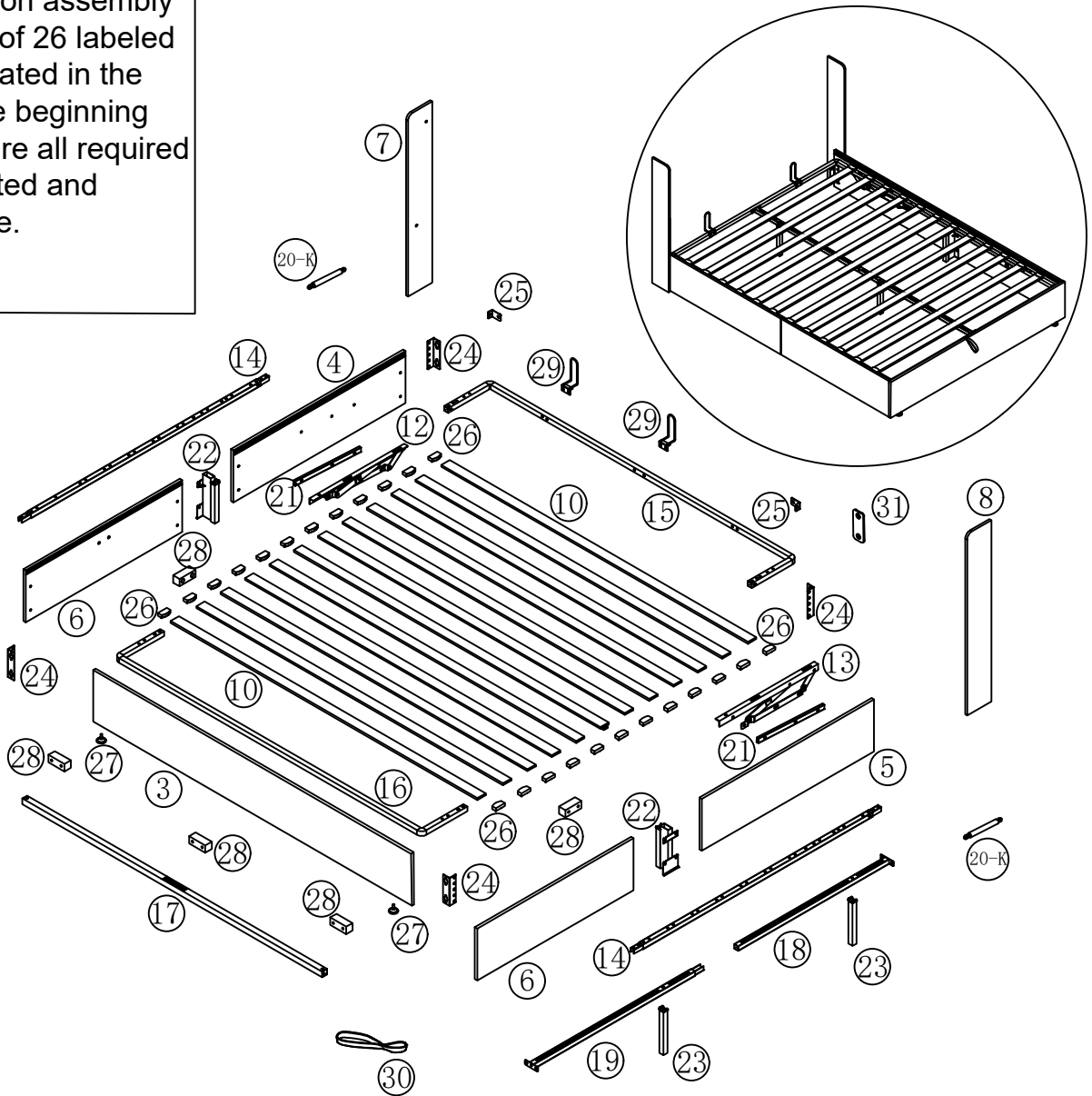


# Frame Parts Assembly Instructions

The frame section assembly requires a total of 26 labeled panels as illustrated in the diagram. Before beginning assembly, ensure all required panels are located and prepared for use.

## Assembly Notes

- Before beginning assembly, check that all panels and hardware components are accounted for.
- If any parts are missing or damaged, contact customer service for a replacement before proceeding.
- Follow the provided diagram carefully to ensure proper alignment and secure fastening of all components.



## Hardware Accessories

X2		M8*45mm 4PCS
X3		M8*40mm 16PCS
X4		M8*30mm 6PCS
X5		M8*18mm 36PCS

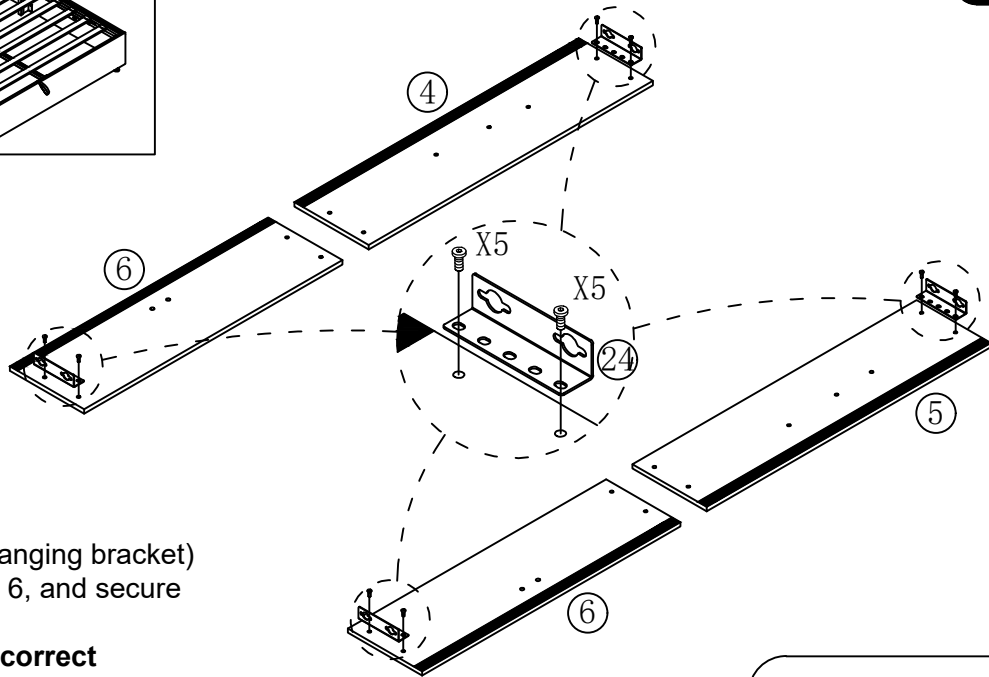
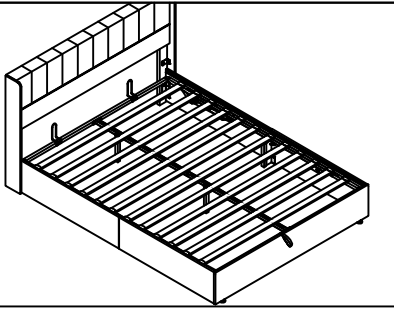
## Hardware Accessories

X6		M8*14mm 8PCS
X7		M4*16mm 2PCS
Y2		M8 10PCS

Once all panels and hardware are confirmed, proceed with the assembly following the step-by-step instructions provided in the subsequent sections

## FRAME PARTS SECTION

### Step 1



Attach panel 24 (hanging bracket) to panels 4, 5, and 6, and secure using X5 screws.

**Note: Ensure the correct orientation of panels 4 and 5.**

X5

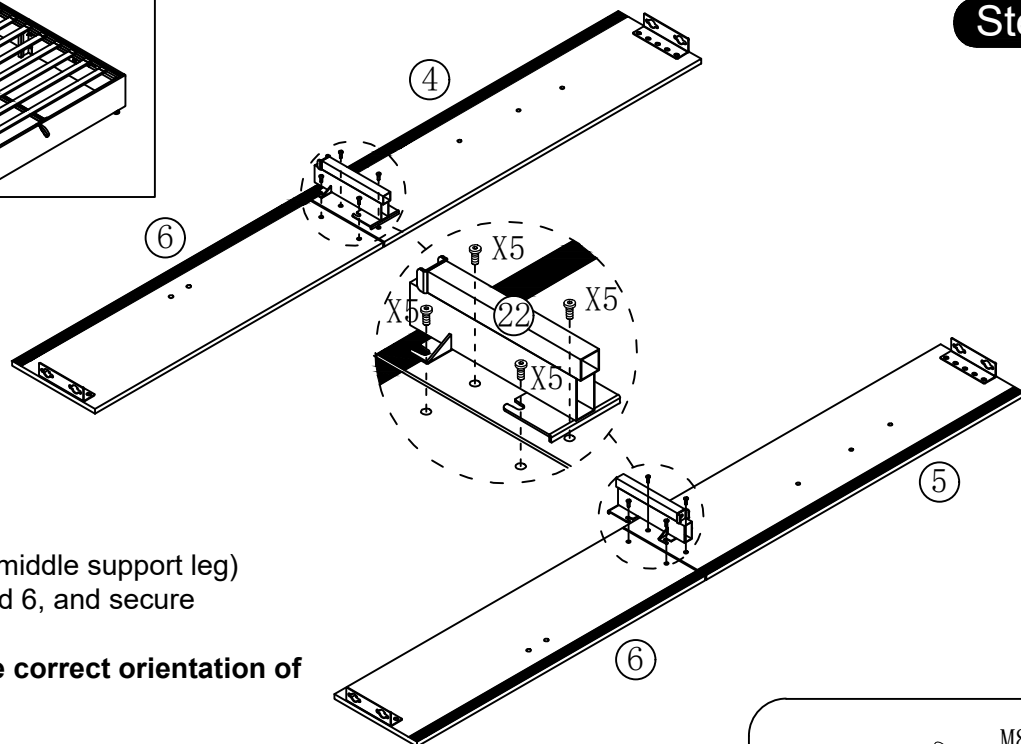
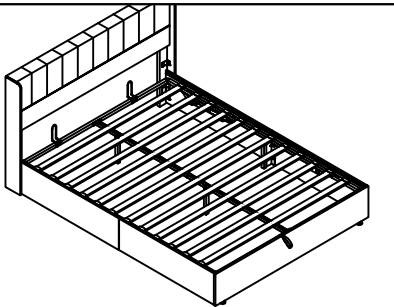


M8\*18mm

8PCS

## FRAME PARTS SECTION

### Step 2



Attach panel 22 (middle support leg) to panels 4, 5, and 6, and secure using X5 screws.

**Note: Ensure the correct orientation of panel 22.**

X5

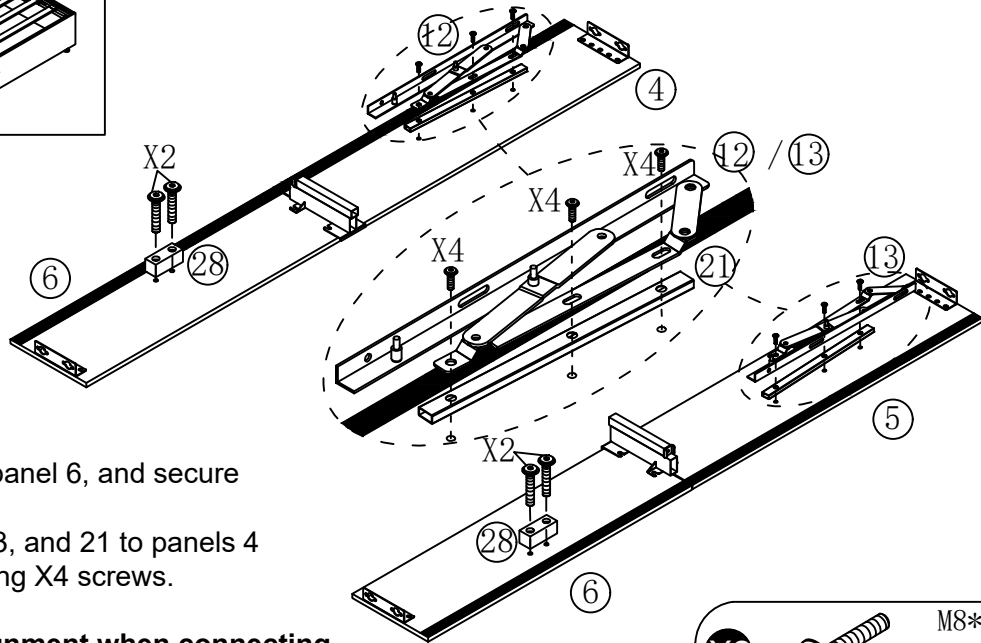
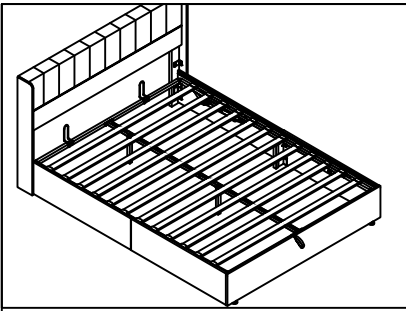


M8\*18mm

8PCS

## FRAME PARTS SECTION

### Step 3



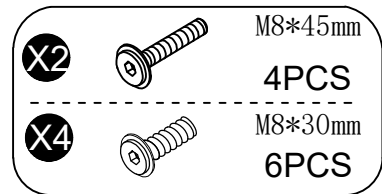
A. Attach panel 28 to panel 6, and secure using X2 screws.

B. Attach panels 12, 13, and 21 to panels 4 and 5, and secure using X4 screws.

**Note:**

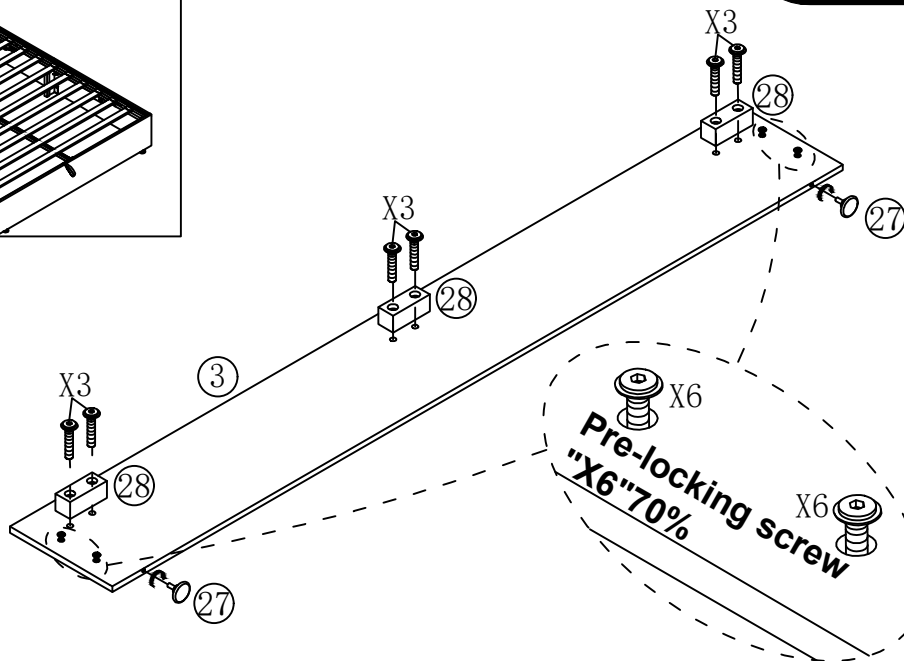
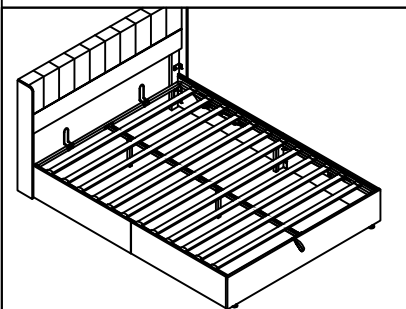
1. Ensure correct alignment when connecting panels 12, 13, and 21 with panels 4 and 5.

2. Panels 12 and 13 should be positioned above panel 21.



## FRAME PARTS SECTION

### Step 4



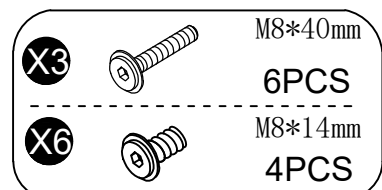
A. Attach panel 28 to panel 3, and secure using X3 screws.

B. Pre-install X6 screws into panel 3, tightening to 70%.

C. Attach panel 27 to panel 3, and fully tighten.

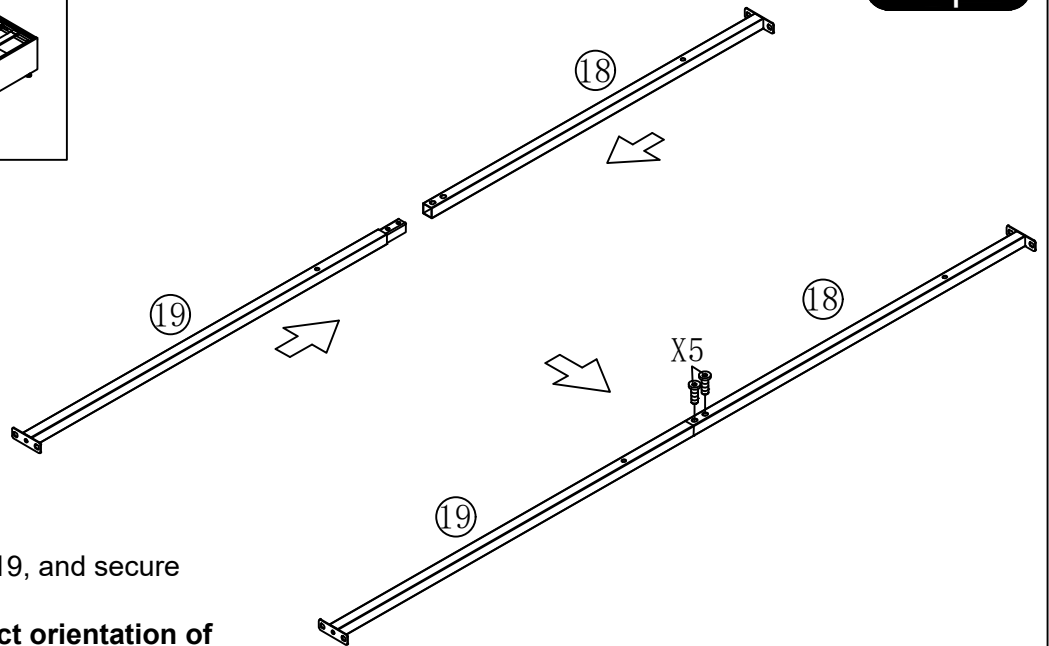
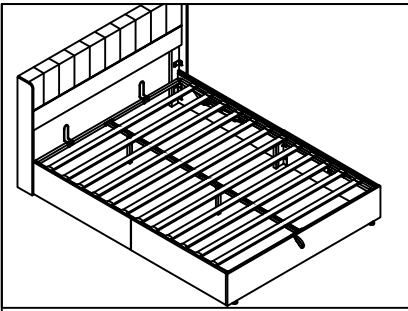
**Note:**

- Ensure panel 27 is properly aligned before tightening.
- Align pre-installed X6 screws with the designated holes.




**FRAME PARTS SECTION**

**Step 5**

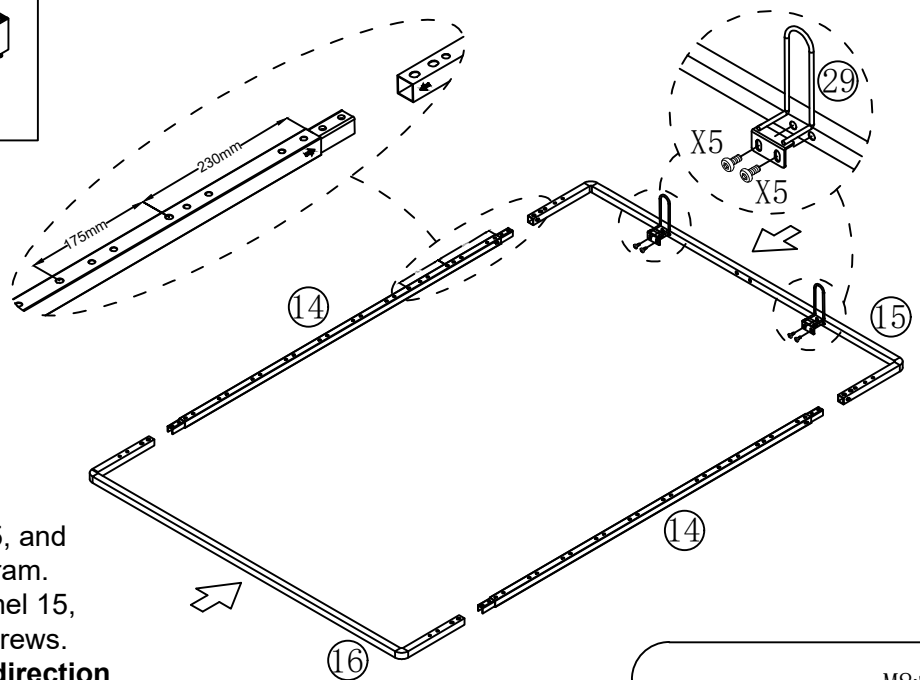
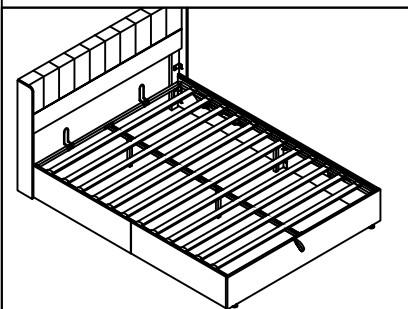


Connect panels 18 and 19, and secure using X5 screws.  
**Note: Ensure the correct orientation of panels 18 and 19 (this side is the back).**


**X5**  M8\*18mm  
2PCS

**FRAME PARTS SECTION**

**Step 6**

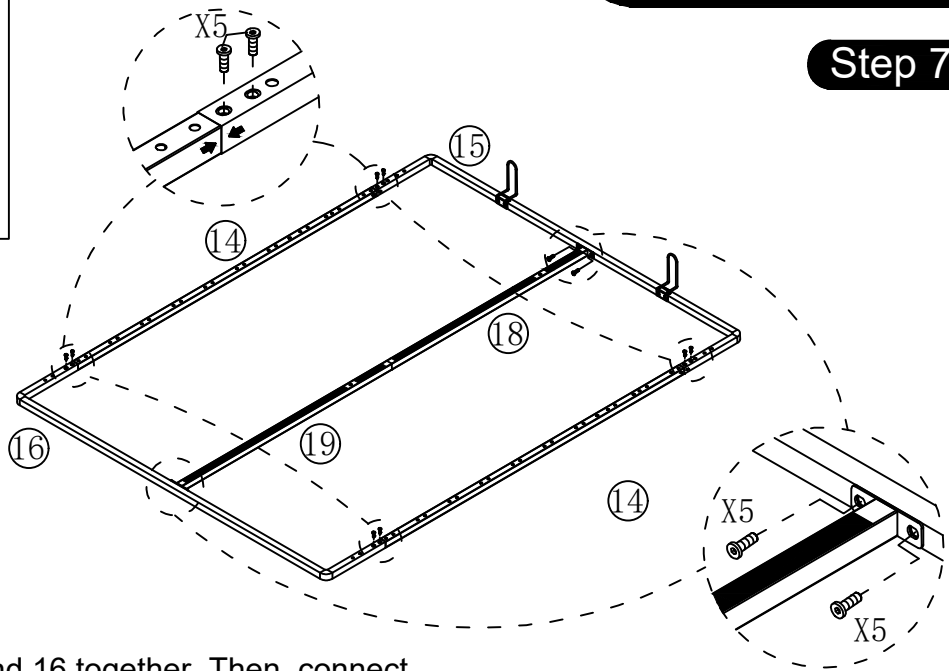
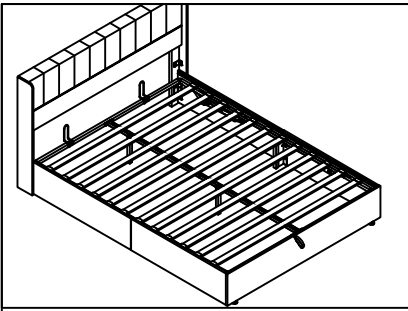


A. Arrange panels 14, 15, and 16 as shown in the diagram.  
 B. Attach panel 29 to panel 15, and secure using X5 screws.  
**Note: Align the arrow direction on panels 14 and 15.**

**X5**  M8\*18mm  
4PCS

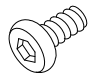
**FRAME PARTS SECTION**

**Step 7**



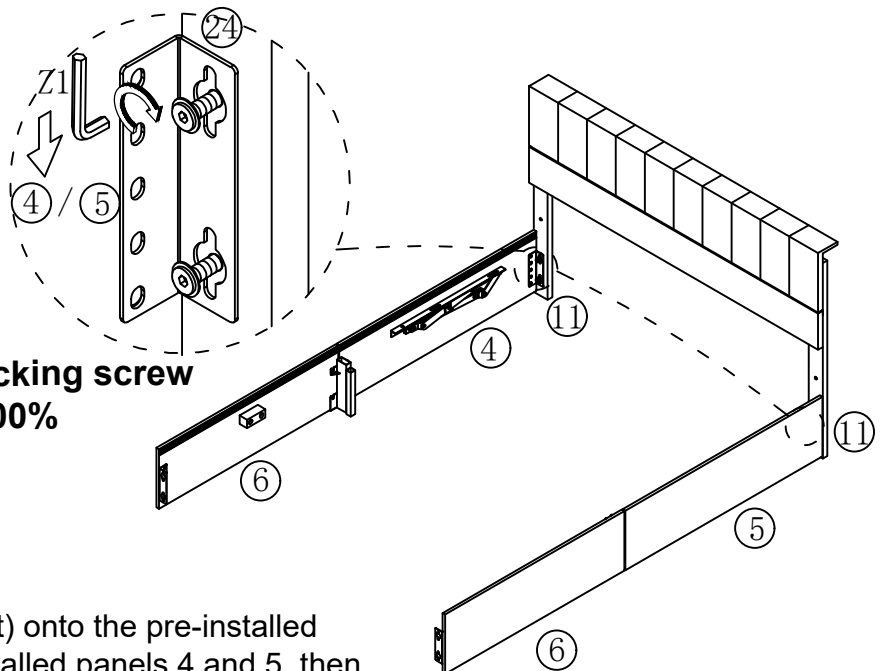
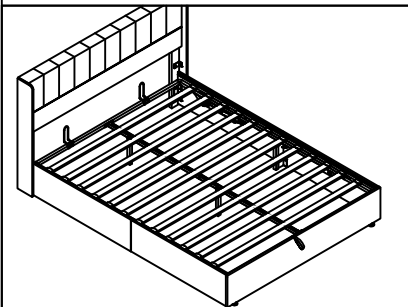
Connect panels 14, 15, and 16 together. Then, connect panels 18 and 19 to panels 15 and 16, and secure using X5 screws.

**Note: Ensure the correct orientation of panels 18 and 19.**

**X5**  M8\*18mm  
12PCS

**FRAME PARTS SECTION**

**Step 8**

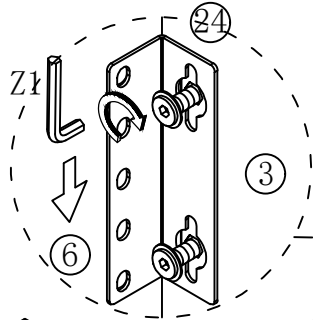
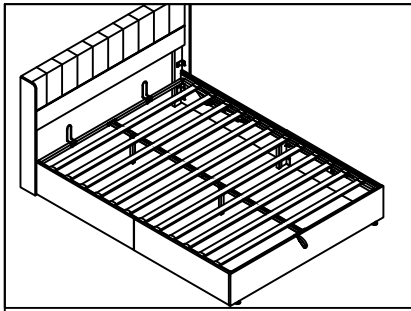


**Pre-locking screw  
"X4"100%**

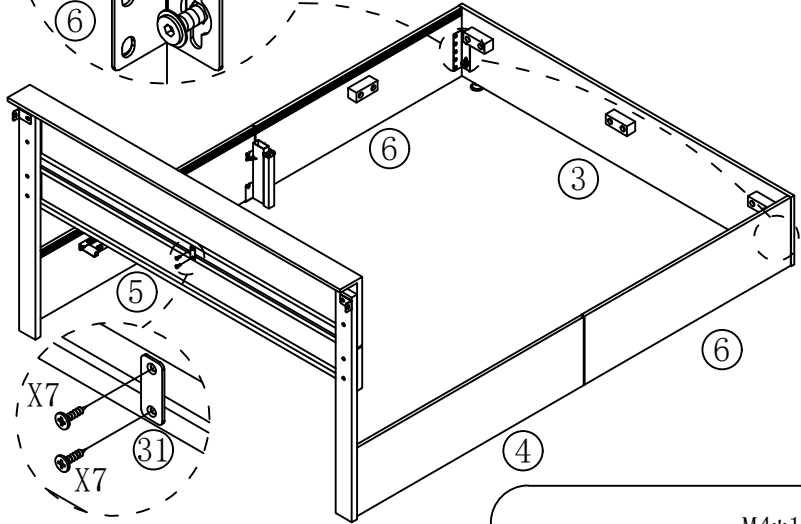
Hang panel 24 (hanging bracket) onto the pre-installed screws on panel 11 and the installed panels 4 and 5, then tighten securely.

**FRAME PARTS SECTION**

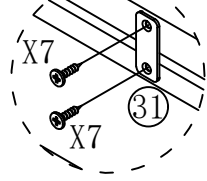
**Step 9**




Pre-locking screw  
"X6"100%



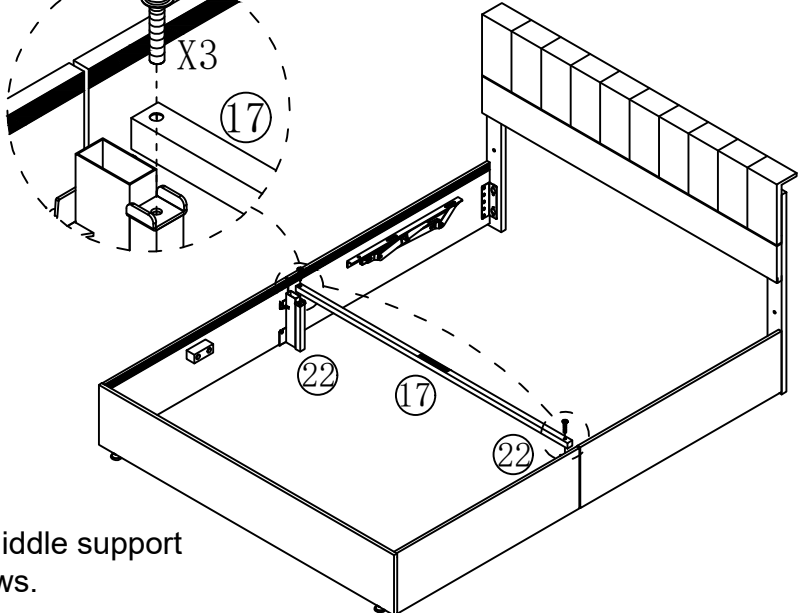
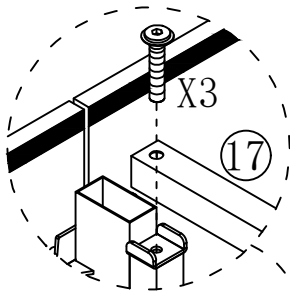
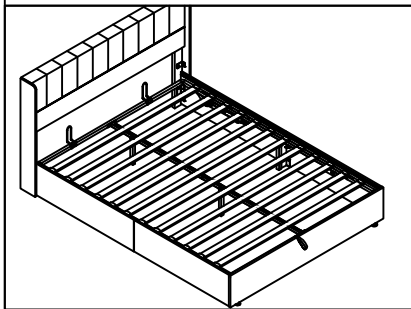
Hang panel 24 (hanging bracket) onto the pre-installed screws on panel 3 and the installed panel 6, then tighten securely.




**X7**  M4\*16mm  
2PCS

**FRAME PARTS SECTION**

**Step 10**

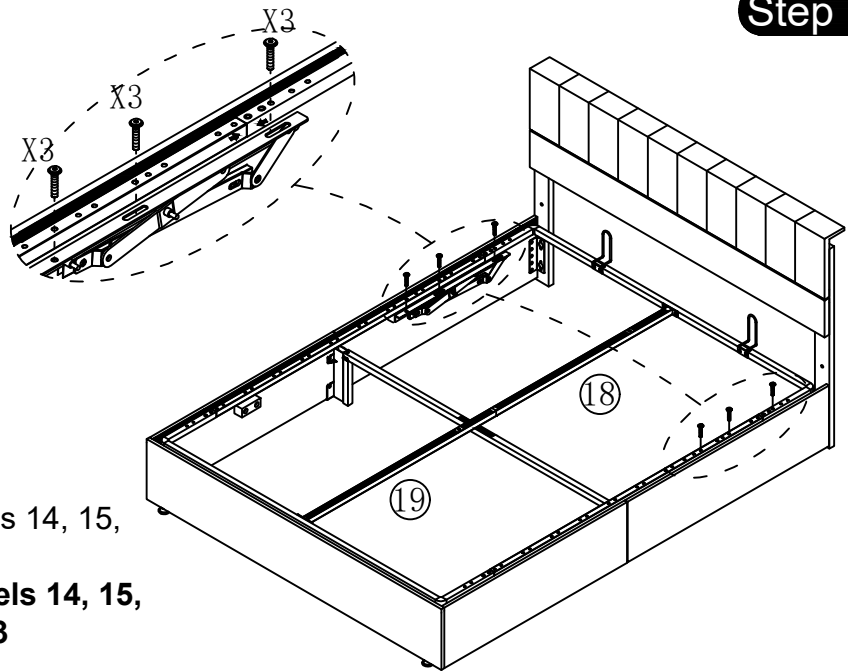
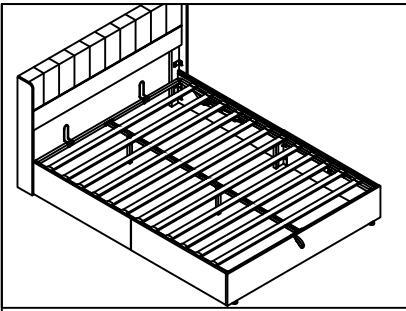


Connect panel 17 to panel 22 (middle support leg), and secure using X3 screws.

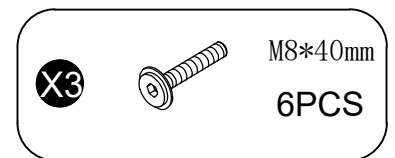
**X3**  M8\*40mm  
2PCS

FRAME PARTS SECTION

Step 11

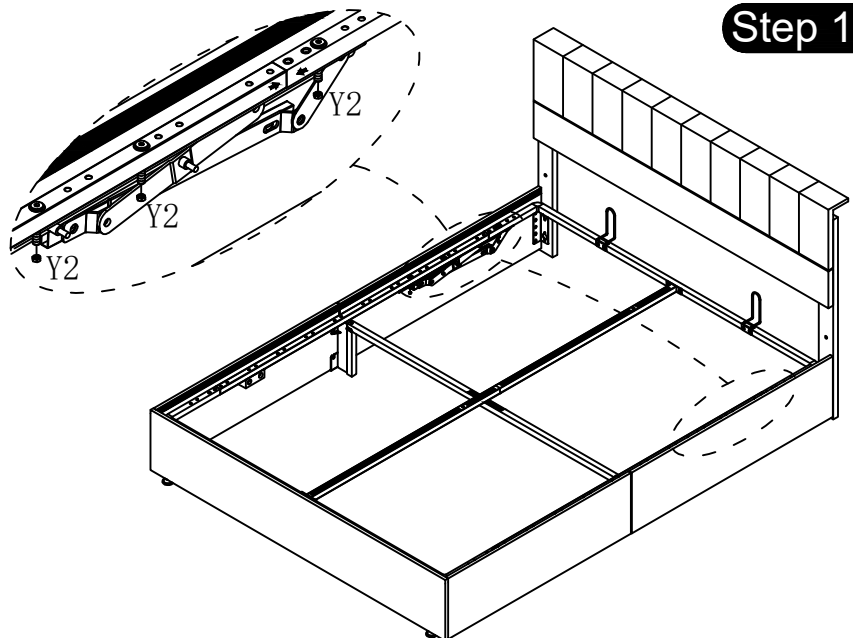
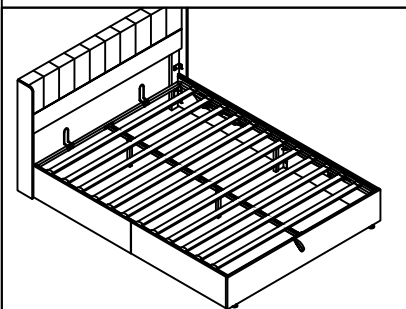


Use X3 screws to attach panels 14, 15, and 16 to H1 and H2.  
**Note:** Align the holes of panels 14, 15, and 16 with panels 12 and 13

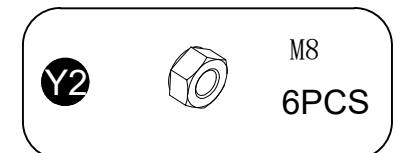


FRAME PARTS SECTION

Step 12

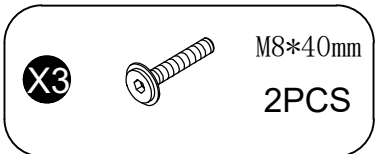
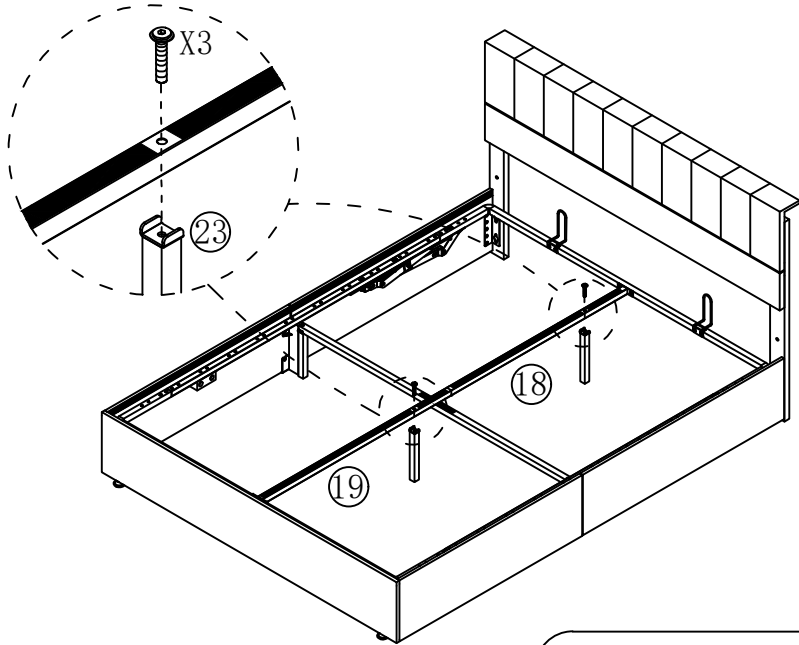
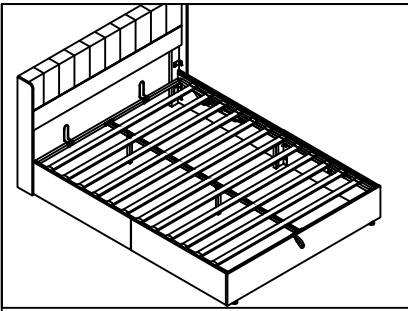


Tighten X3 screws using Y2 nuts.



FRAME PARTS SECTION

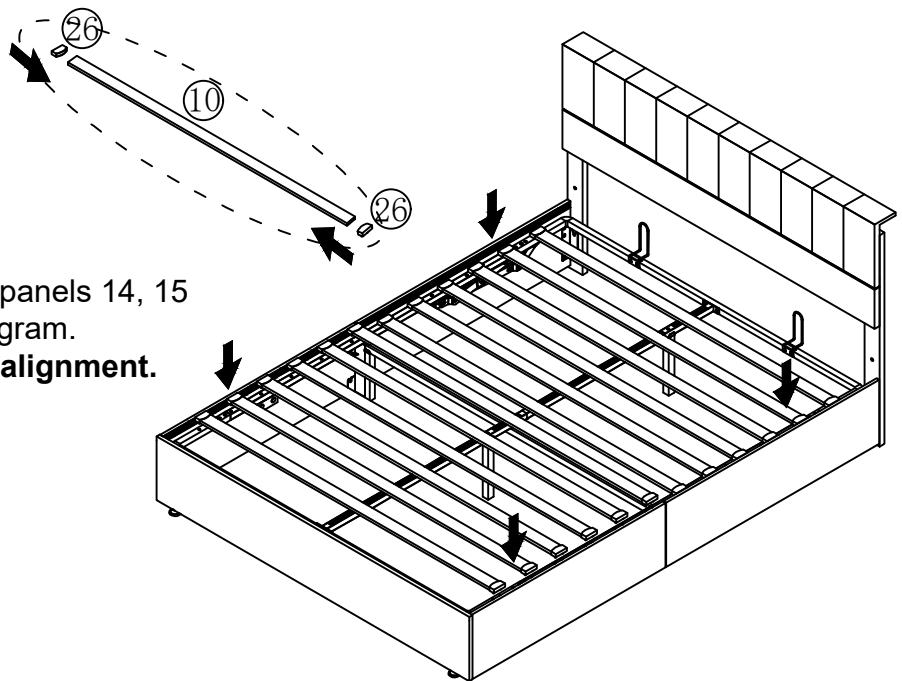
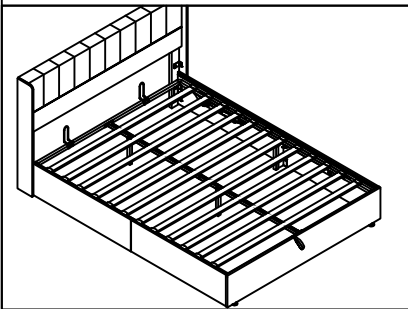
Step 13



Attach panel 23 to panels 18 and 19, and secure using X3 screws

FRAME PARTS SECTION

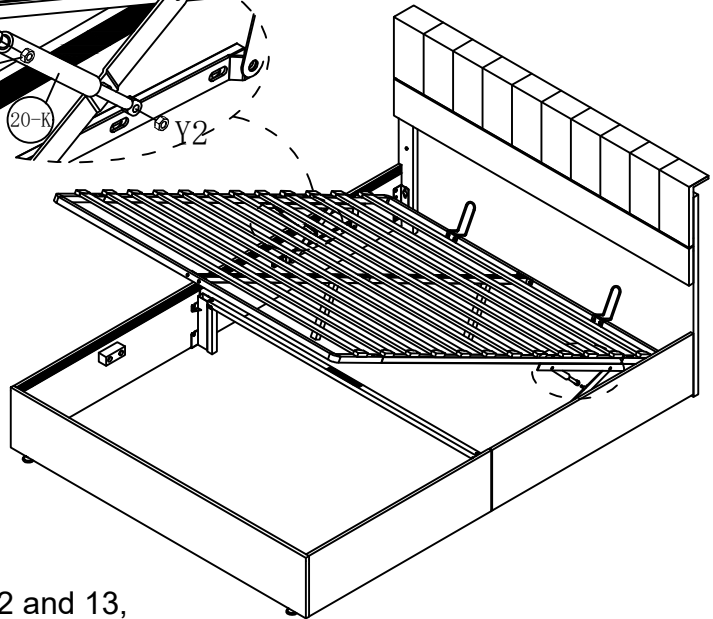
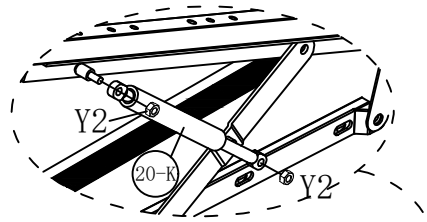
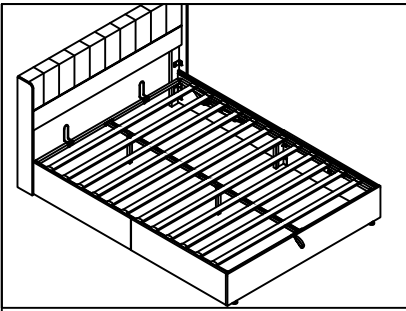
Step 14



Attach panels 10 and 26 to panels 14, 15, and 16 as shown in the diagram.  
**Note: Ensure proper hole alignment.**

FRAME PARTS SECTION

Step 15



Attach panel 20 (hydraulic rod) to panels 12 and 13, and tighten using Y2 nuts.  
**Note: The larger end of panel 20 should face upward.**

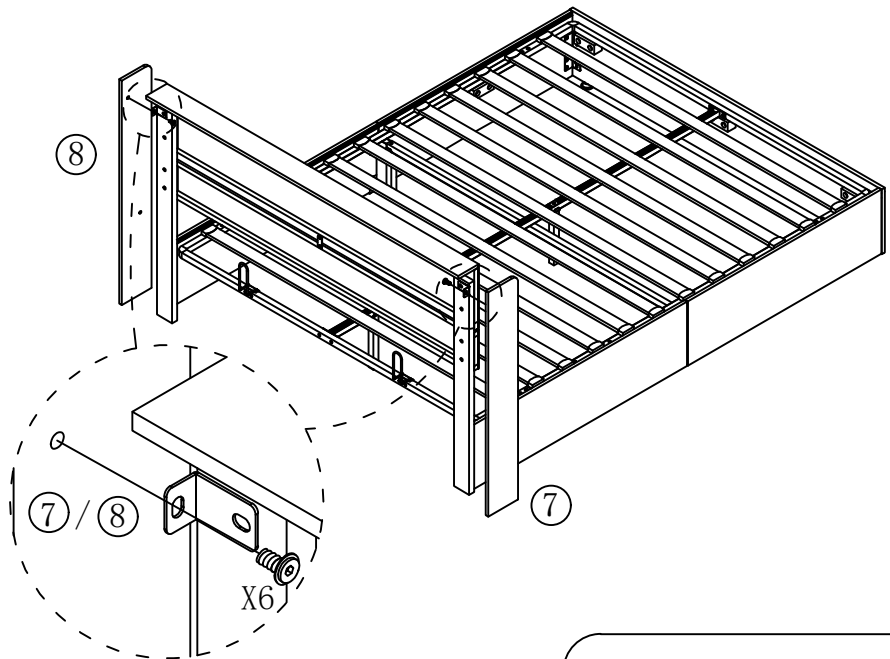
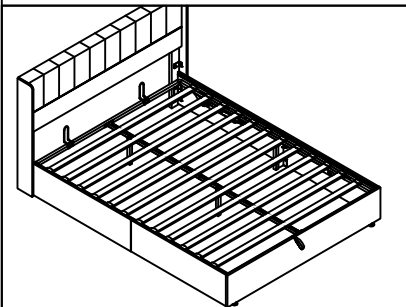
Y2



M8  
4PCS

FRAME PARTS SECTION

Step 16



Connect the pre-installed component 25 on panel 1 to panels 7 and 8, and secure using X6 screws. Do not fully tighten at this stage

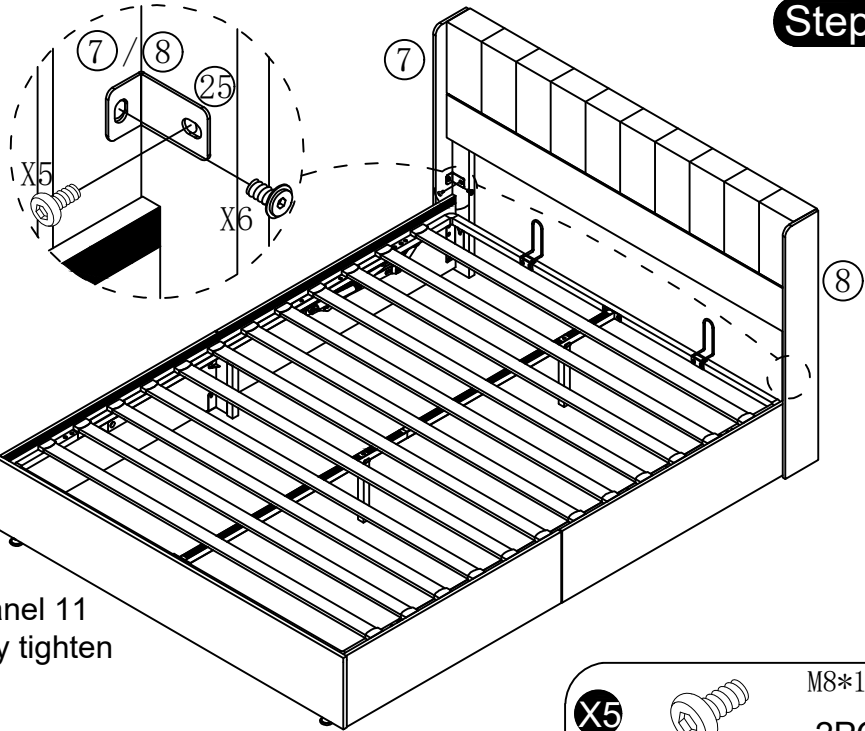
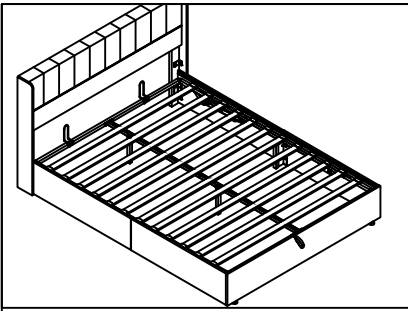
X6



M8\*14mm  
2PCS

**FRAME PARTS SECTION**

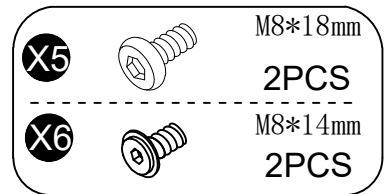
**Step 17**



Connect panels 7 and 8 to panel 11 using component 25, and fully tighten using X5 and X6 screws.

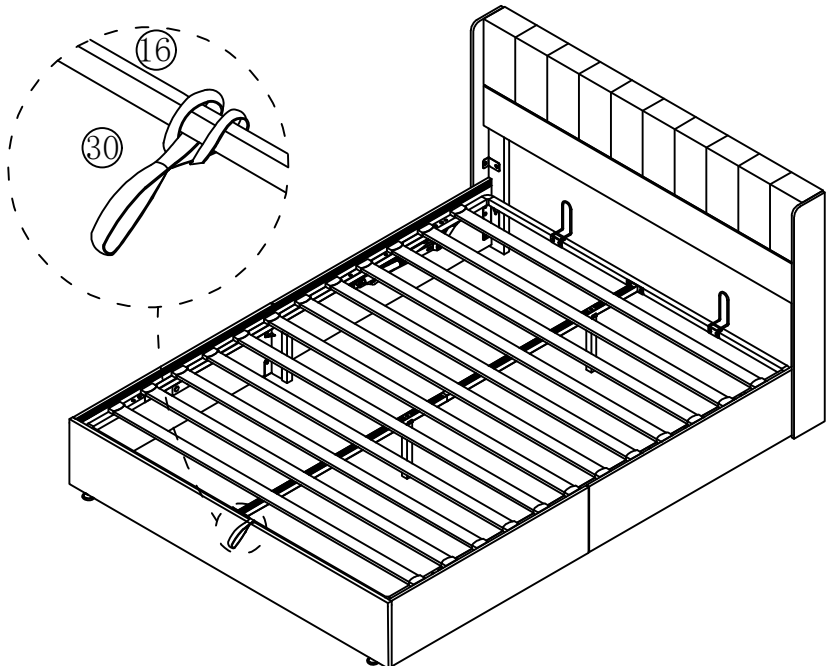
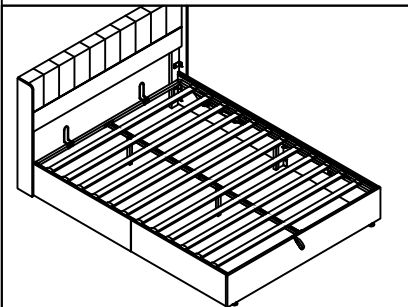
**Note:**

- Ensure hole alignment.
- Fully tighten all screws.



**FRAME PARTS SECTION**

**Step 18**



Secure panel 30 onto panel 16 as shown in the diagram.



## MAINTENANCE AND CARE

Follow these guidelines to preserve your furniture's durability and appearance:

### 1. Pest Prevention

- Keep furniture away from humid areas to prevent insects and wood damage.
- Use a dehumidifier or air conditioner in damp seasons.

### 2. Sunlight Protection

- Avoid direct sunlight to prevent warping and discoloration.
- Use curtains or UV-blocking films if exposure is unavoidable.

### 3. Fire Safety

- Keep furniture away from heat sources and open flames.

### 4. Regular Maintenance

- Apply furniture oil or polish periodically to prevent drying and cracks.

### 5. Cleaning Guidelines

- Dust regularly with a soft cloth or vacuum.
- Use a slightly damp cloth for cleaning and dry immediately.

### 6. Moisture Control

- Ensure proper ventilation to prevent mold or swelling.

### 7. Avoid Chemicals

- Do not use harsh cleaners, acids, or strong solvents.

### 8. Protective Measures

- Use coasters, placemats, and felt pads to prevent scratches and stains.

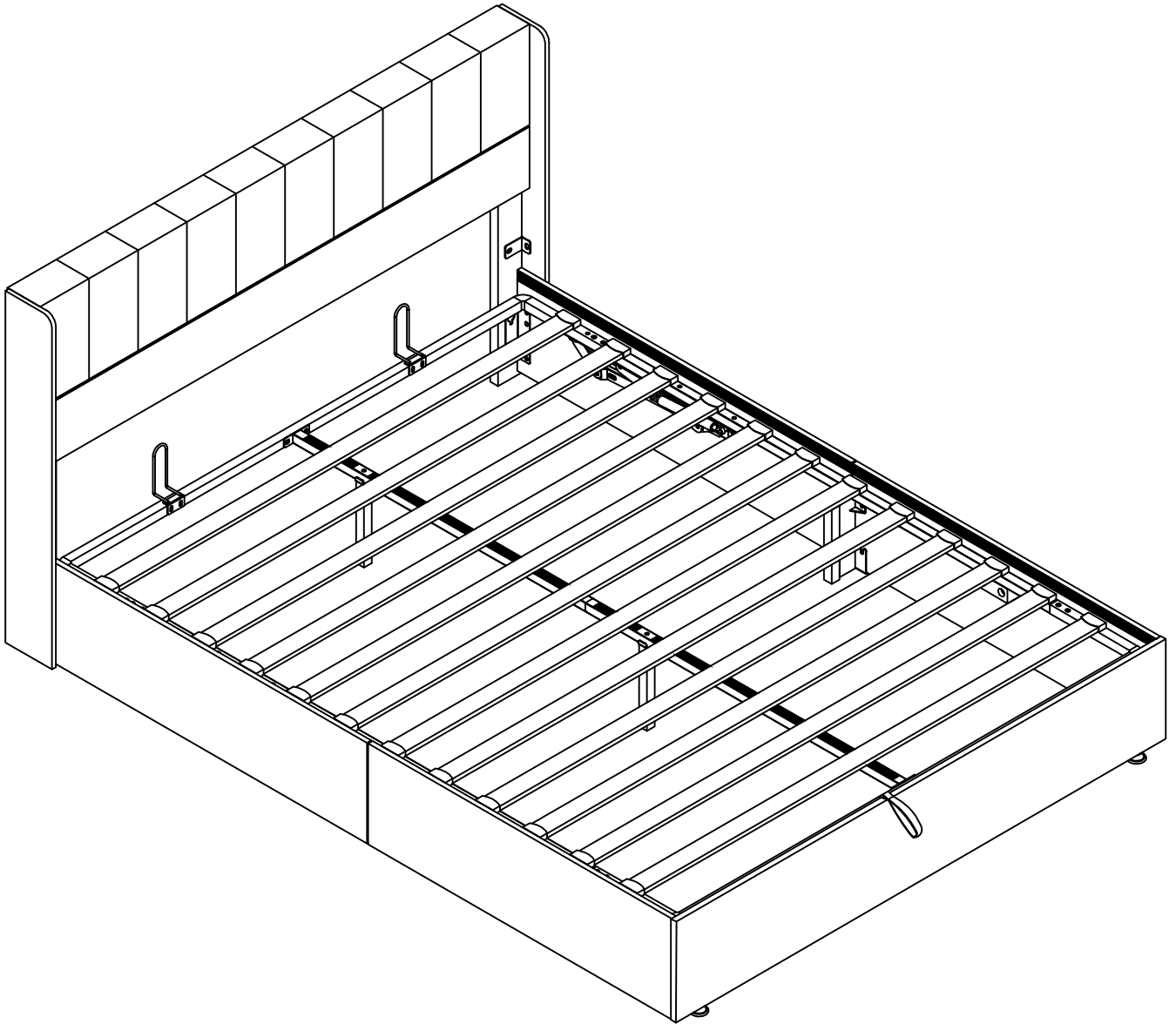
### 9. Sun Exposure Limitation

- Position furniture in shaded areas to avoid drying and fading.

Note: Improper care may void the warranty. Contact customer support for assistance

# Instrucciones de Ensamblaje

Si nota la falta de alguna caja, piezas dañadas o escasez de accesorios, comuníquese de inmediato con el equipo de atención al cliente del canal de compra. Resolveremos el problema lo antes posible .



## Contáctenos

- Correo Electrónico: [service@grandtunnel.com](mailto:service@grandtunnel.com)



Para recibir asistencia más rápida, incluya la siguiente información:

- Número de pedido
- Plataforma de compra
- Fecha de compra
- Descripción detallada del problema con fotos adjuntas

# Notas Importantes de Instalación

¡Gracias por elegir nuestro producto! Para garantizar un proceso de instalación sin problemas, lea cuidadosamente esta guía para familiarizarse con las herramientas, materiales y pasos de instalación necesarios. Siga las secciones correspondientes para evitar daños causados por una instalación incorrecta y asegúrese de revisar todas las guías de operación y seguridad para un procedimiento de instalación correcto.

## Información de Instalación

- Toda la información de esta guía se basa en el estado del producto al momento de la impresión. Nos reservamos el derecho de modificar las características, el embalaje o la disponibilidad del producto sin previo aviso.
- Antes de instalar el mueble, asegúrese de que todos los preparativos eléctricos o ambientales necesarios estén completados.
- Este manual contiene instrucciones importantes sobre instalación, limpieza y mantenimiento. Léalo detenidamente y consérvelo para futuras referencias.

## Lista de Verificación Previa a la Instalación

1. Inspeccione cuidadosamente el nuevo producto en busca de daños o defectos.
2. Asegúrese de realizar la instalación en una superficie limpia y plana para mantener el equilibrio y la estabilidad.
3. Evite la exposición prolongada del producto a ambientes húmedos o a la luz solar directa.
4. Maneje con cuidado durante la instalación. Utilice materiales protectores (por ejemplo, almohadillas suaves) para evitar rayones.
5. Para cualquier pregunta o soporte técnico, consulte la guía de servicio al cliente y comuníquese con el servicio de atención al cliente del vendedor.

## Recomendaciones de Uso y Mantenimiento

1. Limpie el mueble regularmente para mantener la higiene y prevenir el crecimiento de bacterias. Utilice un paño húmedo bien escurrido para evitar rayar la superficie.
2. Evite el contacto con líquidos corrosivos ácidos o alcalinos.
3. No use piezas de repuesto no autorizadas. Para piezas de repuesto, comuníquese con el fabricante o distribuidor.
4. No lave a máquina ni enjuague ninguna parte de este producto con agua.



## Advertencias de Seguridad

1. Etiquetas de Advertencia: No retire las etiquetas de advertencia del producto o del embalaje y siga siempre las instrucciones relacionadas.
2. Inspecciones Regulares: Verifique regularmente todas las partes del producto para asegurarse de que estén correctamente instaladas, sin daños y de que todos los conectores estén bien ajustados.
3. Uso Seguro: No juegue sobre o debajo del sofá y evite estrictamente saltar o realizar acciones que puedan dañar el sofá o causar lesiones.
4. Peligro de Cuerdas: No conecte cuerdas, ganchos, correas u otros elementos no destinados al uso del producto a ninguna parte del mismo.
5. Conservación de la Guía: Guarde este manual para futuras referencias.
6. Responsabilidad Supervisora: La seguridad es una responsabilidad compartida entre el fabricante y el usuario. Siga siempre las pautas de seguridad al usar el producto.

## Descargo de Responsabilidad

Estamos comprometidos a proporcionar productos seguros y confiables. Si tiene alguna pregunta sobre este producto o necesita asistencia adicional, comuníquese con nuestro equipo de servicio al cliente. Estamos aquí para ayudarle..

# Guía de Atención al Cliente

---

¡Gracias por elegir nuestro producto! Nos comprometemos a brindarle un servicio de alta calidad. Si encuentra piezas faltantes, embalajes dañados o daños en el producto después de recibir todos los paquetes, siga los pasos a continuación para contactar rápidamente a nuestro equipo de atención al cliente. Haremos todo lo posible para resolver su problema.

## 1. Piezas Faltantes

Verificar Piezas:

1. Consulte la "Lista de Piezas" en el manual (ver página 3) para verificar el nombre, las especificaciones y la cantidad de las piezas faltantes.
2. Tome una foto clara de la lista de piezas y marque las piezas faltantes con información detallada, por ejemplo: "Faltan 5 tornillos M6×30mm."

Contáctenos:

- Por Correo Electrónico:

Envíe un correo electrónico a [service@grandtunnel.com](mailto:service@grandtunnel.com), con el asunto "Problema de Piezas Faltantes." Incluya lo siguiente en el correo:

- Una descripción de las piezas faltantes y una foto de la lista de piezas.
- Detalles del pedido (número de pedido, plataforma de compra, fecha de compra).

## 2. Daños en el Producto o Embalaje

Si afecta el uso normal:

Pasos:

1. Tome fotos o videos claros que muestren las partes dañadas y el alcance del daño (se recomiendan tomas desde varios ángulos).
2. Envíe las fotos/videos junto con los detalles del pedido a [service@grandtunnel.com](mailto:service@grandtunnel.com), con el asunto "Problema de Daño en el Producto."

### Resolución:

Después de la verificación, organizaremos el reemplazo de piezas, cambio del producto o reembolso lo más rápido posible.

Si no afecta el uso normal:

Pasos:

1. Comuníquese con nuestro equipo de atención al cliente (por correo electrónico: [service@grandtunnel.com](mailto:service@grandtunnel.com)).
2. Proporcione una descripción del daño e incluya fotos o videos relevantes.

### Resolución:

Proporcionaremos una guía de reparación o un plan de compensación adecuado según la situación específica.

## Contáctenos

- Correo Electrónico de Atención al Cliente: [service@grandtunnel.com](mailto:service@grandtunnel.com)

## Consejos Útiles

- Para procesar su caso de manera eficiente, prepare la siguiente información:
- Detalles del pedido (número de pedido, plataforma de compra, fecha de compra).
- Fotos o videos claros.
- Nos comprometemos a ofrecer soluciones rápidas y profesionales, sin importar la magnitud del problema, para garantizar su satisfacción.

¡Gracias por su confianza y apoyo! ¡Esperamos que disfrute de su producto!

# Guía de Lista de Piezas y Hardware

## 1. Verifique Todas las Piezas

- Asegúrese de que todos los componentes estén incluidos antes del montaje.
- Contacte al servicio al cliente si falta alguna pieza o está dañada.

## 2. Organice Antes del Montaje

- Distribuya todas las piezas y herrajes para una fácil identificación.
- Mantenga las piezas pequeñas agrupadas para evitar pérdidas.

## 3. Use el Hardware Correcto

- Siga las instrucciones cuidadosamente para utilizar los tornillos y sujetadores especificados.
- Evite usar piezas sustitutas para garantizar la estabilidad.

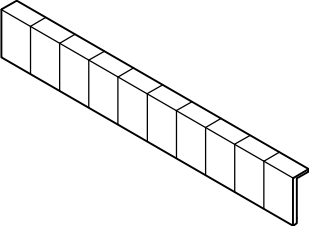
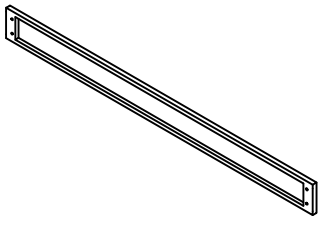
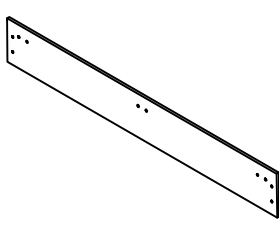
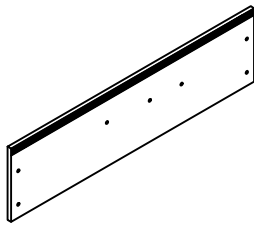
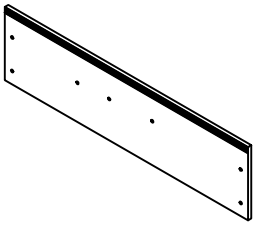
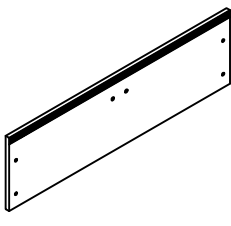
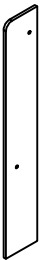

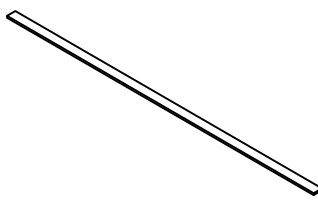

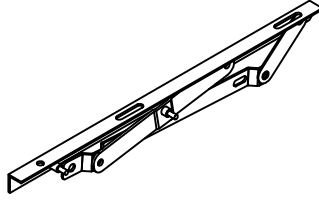
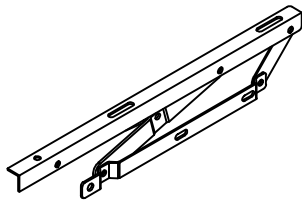
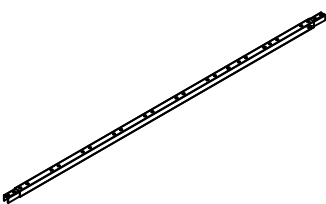
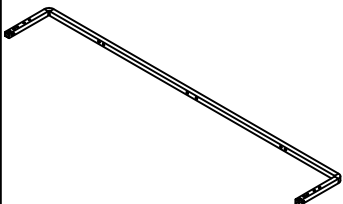
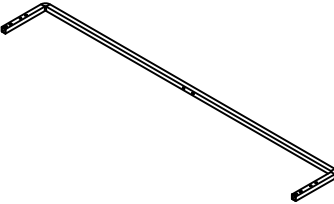
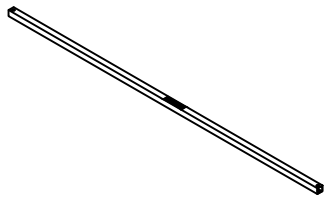
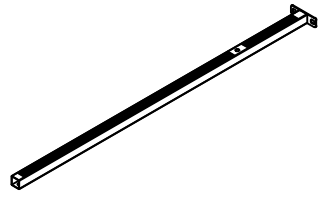
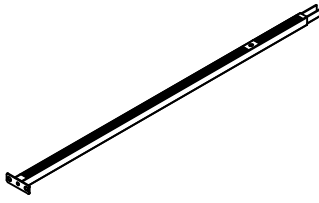
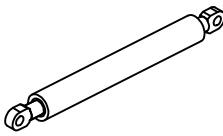
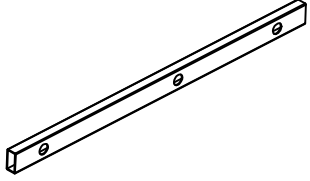
## 4. Instrucciones de Ajuste

- Apriete parcialmente los tornillos primero y asegúrese de la alineación antes de apretarlos completamente.
- Apriete de manera uniforme para una estructura estable.

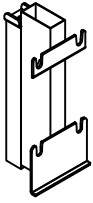

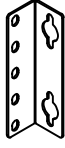
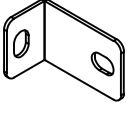
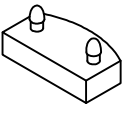
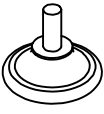
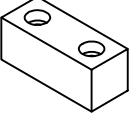
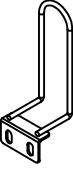

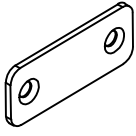
## 5. Recordatorio de Seguridad

- Maneje las piezas pequeñas con cuidado y manténgalas fuera del alcance de los niños.

Una vez verificado, proceda con el montaje según las instrucciones

1	1PC	2	1PC	3	1PC	4	1PC
							
5	1PC	6	2PCS	7	1PC	8	1PC
							
10	12PCS	11	2PCS	12	1PC	13	1PC
							
14	2PCS	15	1PC	16	1PC	17	1PC
							
18	1PC	19	1PC	20-Q	2PCS	21	2PCS
							

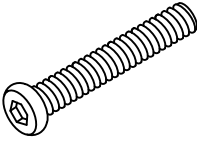
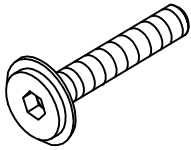
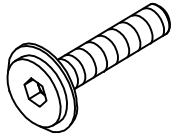
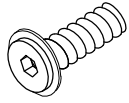
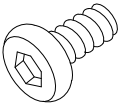
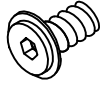
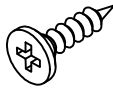
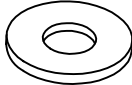
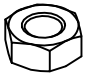
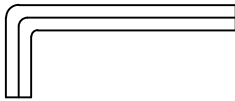
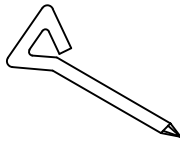
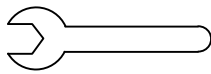
## Fittings

22	2PCS	23	2PCS	24	4PCS	25	4PCS
							
26	24PCS	27	2PCS	28	5PCS	29	2PCS
							
30	1PC	31	1PC				
							

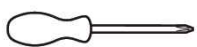
Please confirm that you have all the fittings listed below before starting assembly.

Note: The quantities provided are sufficient to complete the assembly. In some cases, extra fittings may be included for convenience.

For missing boxes, damaged parts, or missing accessories, contact customer service immediately for assistance.

X1	8PCS	X2	4PCS	X3	16PCS	X4	10PCS
							
M8*50mm		M8*45mm		M8*40mm		M8*30mm	
X5	36PCS	X6	8PCS	X7	2PCS	Y1	8PCS
							
M8*18mm		M8*14mm		M4*16mm		φ22*φ8.5	
Y2	10PCS	Z1	1PC	Z2	1PC	Z3	1PC
							
M8		M5		M5		M13	

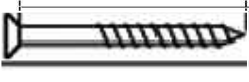
## TOOLS REQUIRED



Phillips screwdriver  
(medium & large)

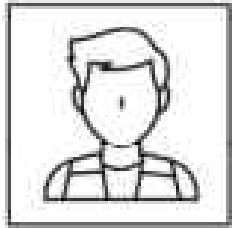
## RULER - USE THIS RULER TO HELP CORRECTLY IDENTIFY THE SCREWS

0 5 10 15 20 25 30 35 40 45 50 55 60 65 70 75 80 85 90 95 100 105 110 115 120 125 130 135 140 145 150 155 160 165 170

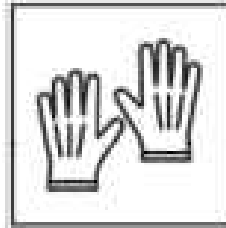


The screws length is measured from the head to the point (30mm screw shown).

# HERRAMIENTAS Y EQUIPO



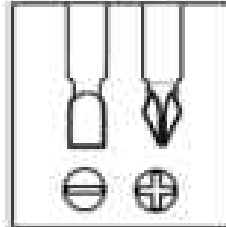
- Se requieren 2 personas



- Guantes de trabajo



- Cinta métrica



- Otras herramientas necesarias: Destornillador Phillips (no incluido)

## PASOS SIMPLES DE ENSAMBLAJE

1. Lea atentamente el manual para comprender todos los pasos.
2. Verifique todas las piezas y herrajes para asegurarse de que todo esté incluido.
3. Prepare las herramientas necesarias, como un destornillador y un mazo de goma.
4. Para mayor seguridad y eficiencia, se recomienda que al menos dos adultos realicen el ensamblaje.

### Precauciones:

1. Ensamble sobre una superficie plana para garantizar la estabilidad y el equilibrio del producto.
2. No apriete completamente todos los tornillos de inmediato. Ajuste las piezas en la posición óptima antes de fijarlas por completo.
3. Para proteger el producto y el piso, utilice materiales protectores (por ejemplo, toallas o papel tisú).

Para facilitar y agilizar el proceso de ensamblaje, se recomienda hacerlo con dos o más adultos.

### Importante:

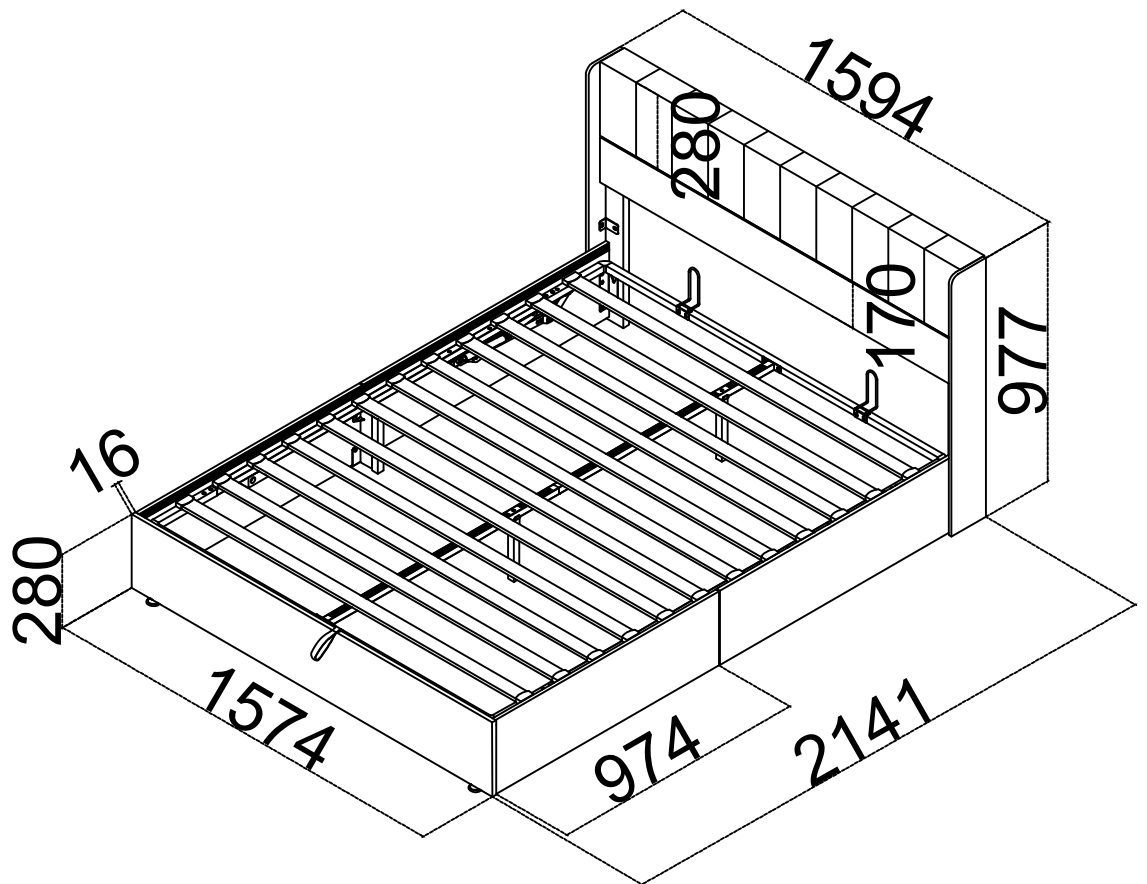
Antes de comenzar el ensamblaje, lea detenidamente las instrucciones para garantizar un proceso correcto.

# CAMA CON ALMACENAMIENTO

Instrucciones de Montaje - Conservar para Referencia Futura

## Importante:

Antes de comenzar el montaje, lea atentamente las instrucciones para asegurarse de realizar el proceso correctamente.



Contáctenos

- Correo electrónico: [service@grandtunnel.com](mailto:service@grandtunnel.com)

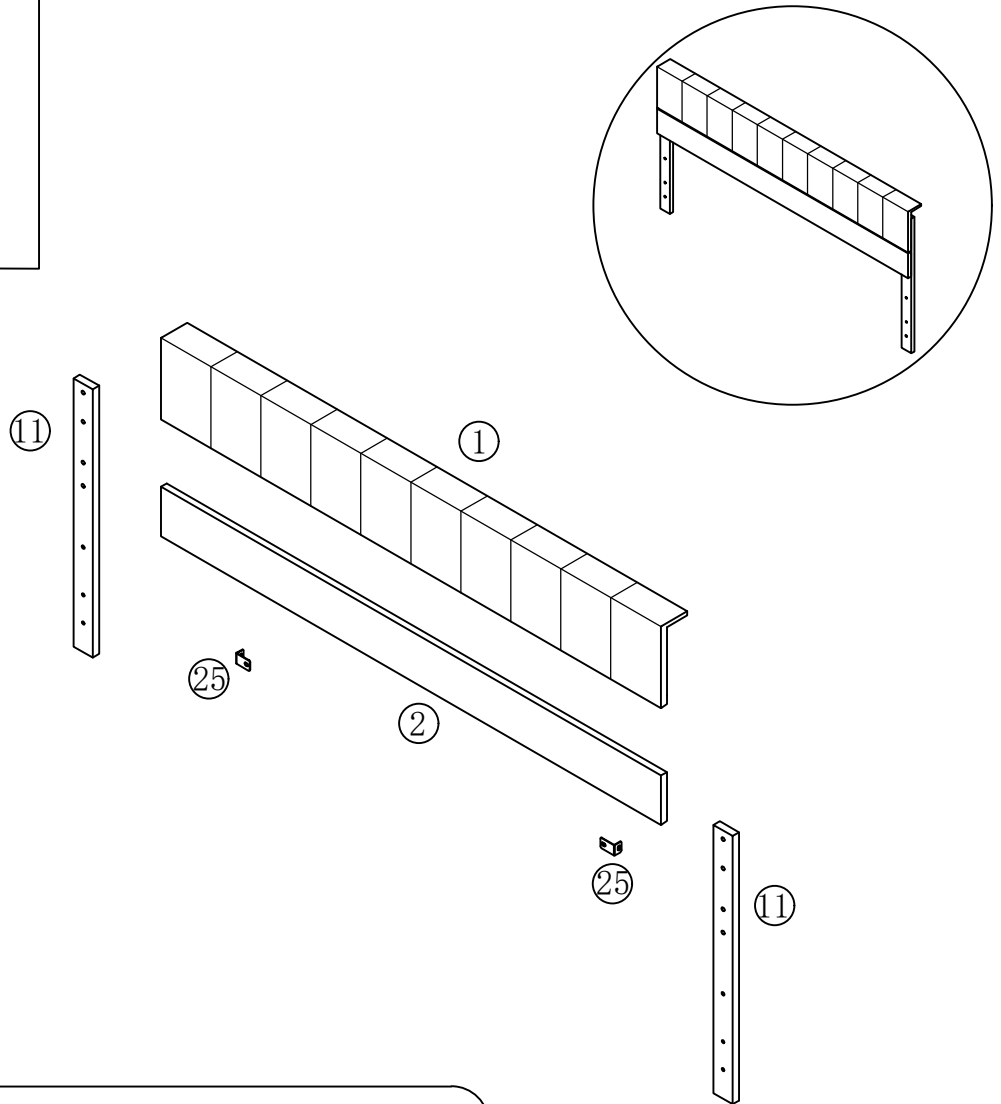
Para una asistencia más rápida, incluya la siguiente información:

- Número de pedido
- Plataforma de compra
- Fecha de compra
- Descripción detallada del problema junto con fotos

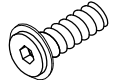

Important - Please read these instructions fully before starting assembly

# Instrucciones de Ensamblaje de la Estructura de la Cama

La sección de ensamblaje del marco requiere un total de 26 paneles etiquetados como se ilustra en el diagrama. Antes de comenzar el ensamblaje, asegúrese de localizar y preparar todos los paneles necesarios para su uso.



## Accesorios de Hardware

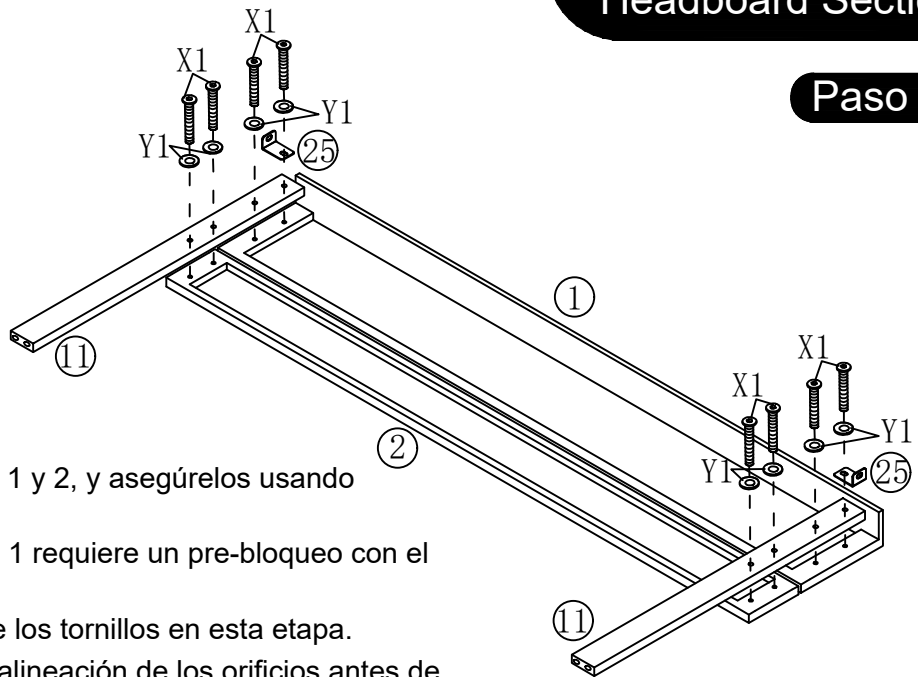
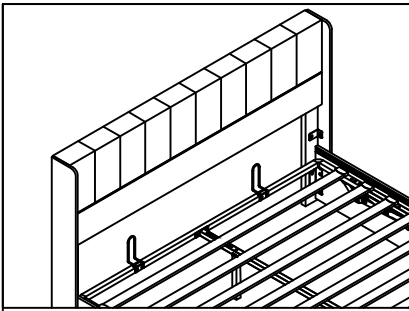
X1		M8*50mm 8PCS
X4		M8*30mm 4PCS
Y1		Ø22*Ø8.5 8PCS

### Notas de Ensamblaje:

- . Antes de comenzar el ensamblaje, verifique que todos los paneles y accesorios de hardware estén incluidos.
- . Si faltan piezas o están dañadas, comuníquese con el servicio de atención al cliente para obtener un reemplazo antes de continuar.
- . Siga cuidadosamente el diagrama proporcionado para garantizar una alineación adecuada y una fijación segura de todos los componentes. Una vez confirmados todos los paneles y accesorios, continúe con el ensamblaje siguiendo las instrucciones paso a paso en las secciones posteriores.

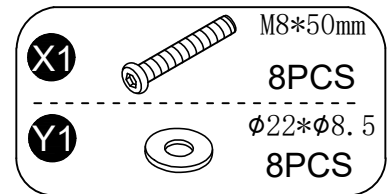
## Headboard Section

### Paso 1



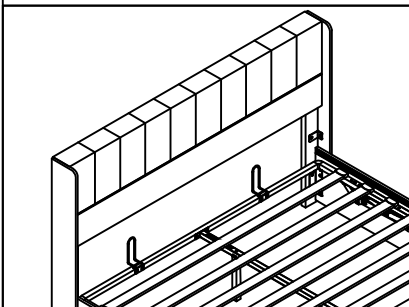
Fije el panel 11 a los paneles 1 y 2, y asegúrelos usando tornillos X1 y arandelas Y1.

- El primer orificio del panel 1 requiere un pre-bloqueo con el componente 25.
- No apriete completamente los tornillos en esta etapa.
- Asegúrese de la correcta alineación de los orificios antes de continuar.
- Notas Importantes:
- Verifique la alineación de los orificios antes de asegurar los tornillos.
- Mantenga los tornillos ligeramente flojos para permitir ajustes en la estructura.



## Headboard Section

### Paso 2

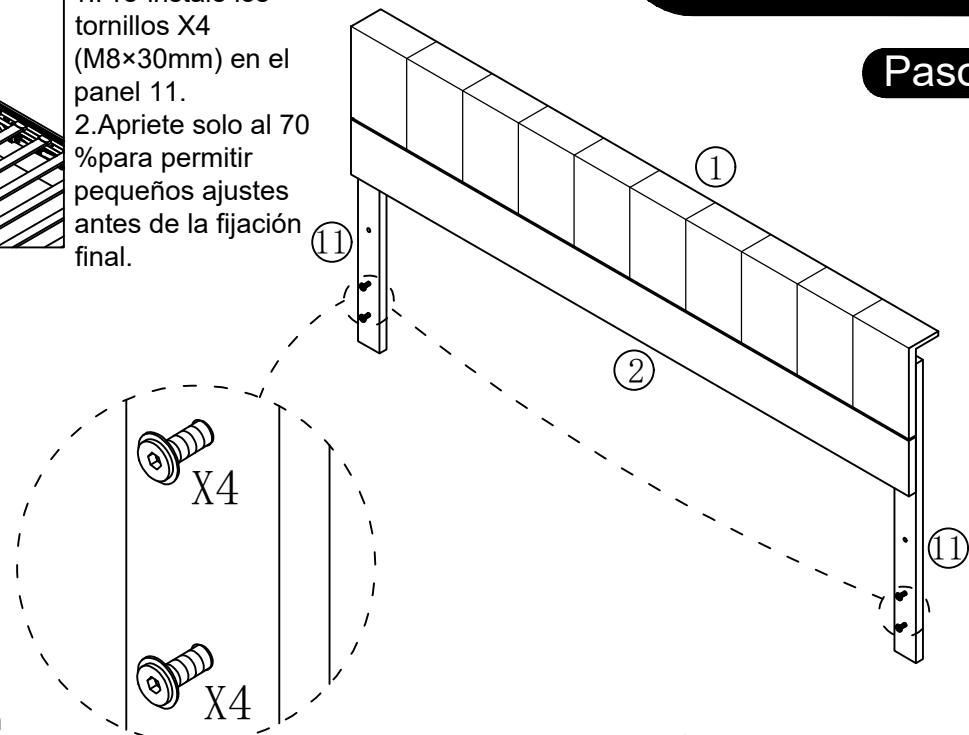


Asegurar el Panel del Cabecero  
 1.Pre-instale los tornillos X4 (M8×30mm) en el panel 11.  
 2.Apriete solo al 70% para permitir pequeños ajustes antes de la fijación final.

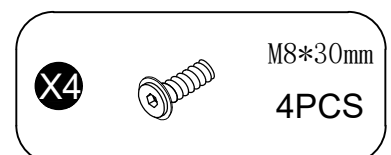
Verificación Final

- Asegúrese de que el marco del cabecero esté alineado y estable.
- Ajuste los tornillos si es necesario antes de la fijación final.
- Apriete completamente todos los tornillos después de confirmar la alineación.

Una vez asegurado, continúe con los siguientes pasos de ensamblaje según las instrucciones



**Pre-locking screw  
 "X4"70%**

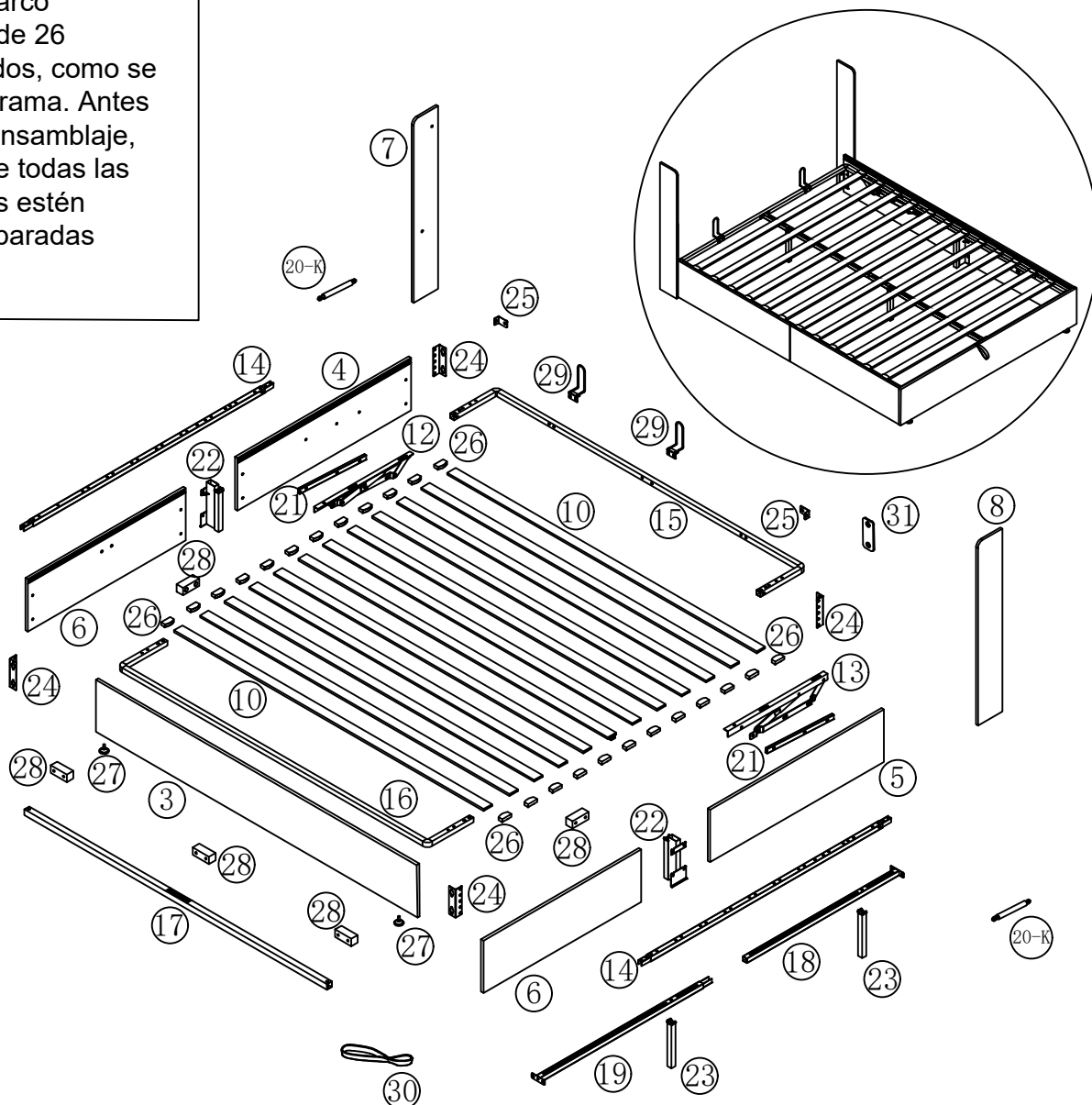


# Instrucciones de Ensamblaje de las Partes del Marco

La sección del marco requiere un total de 26 paneles etiquetados, como se ilustra en el diagrama. Antes de comenzar el ensamblaje, asegúrese de que todas las piezas necesarias estén localizadas y preparadas para su uso.

## Notas de Ensamblaje

- Antes de comenzar, verifique que todos los paneles y componentes de hardware estén completos.
- Si faltan piezas o están dañadas, comuníquese con el servicio al cliente para un reemplazo antes de continuar.
- Siga cuidadosamente el diagrama proporcionado para garantizar la correcta alineación y fijación de los componentes.



## Accesorios de Hardware

X2		M8*45mm 4PCS
X3		M8*40mm 16PCS
X4		M8*30mm 6PCS
X5		M8*18mm 36PCS

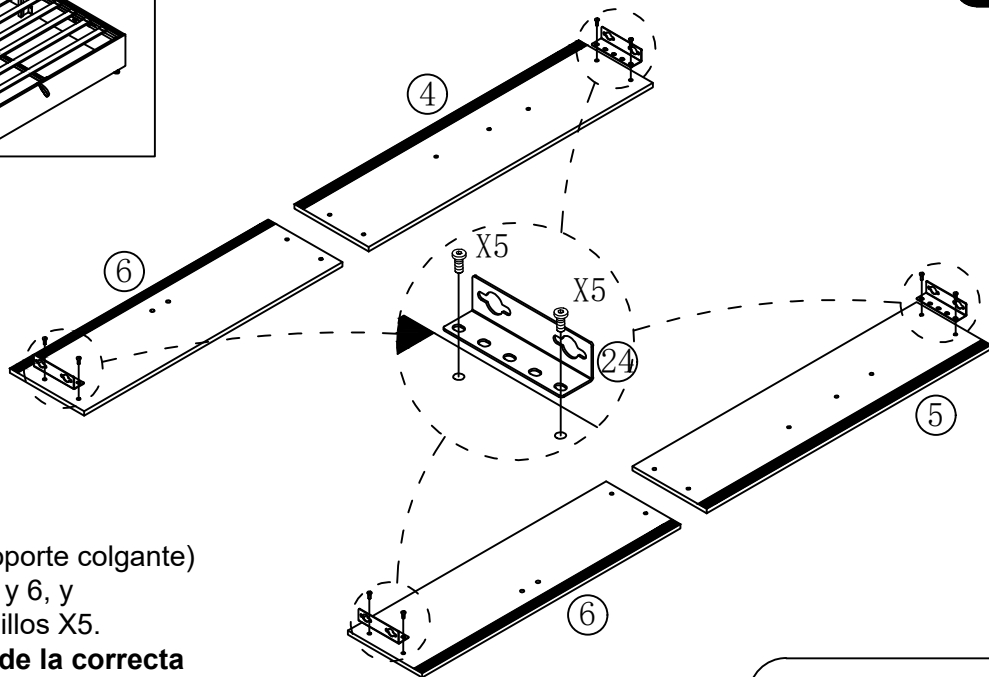
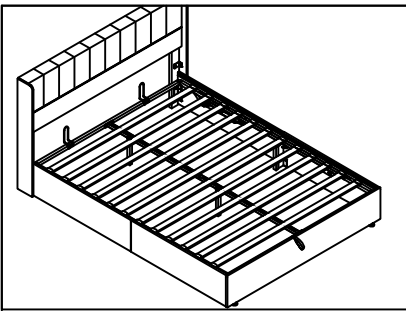
## Accesorios de Hardware

X6		M8*14mm 8PCS
X7		M4*16mm 2PCS
Y2		M8 10PCS

Una vez confirmados todos los paneles y accesorios, proceda con el ensamblaje siguiendo las instrucciones paso a paso en las secciones siguientes.

FRAME PARTS SECTION

Paso 1



Fije el panel 24 (soporte colgante) a los paneles 4, 5 y 6, y asegúrelo con tornillos X5.

**Nota: Asegúrese de la correcta orientación de los paneles 4 y 5.**

X5

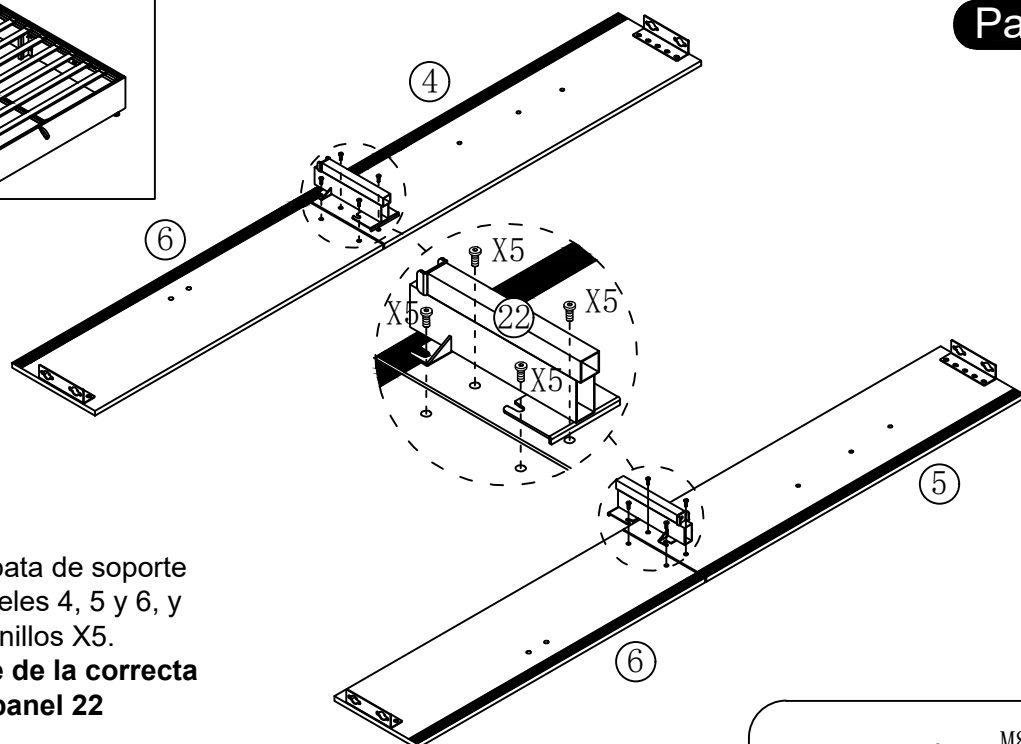
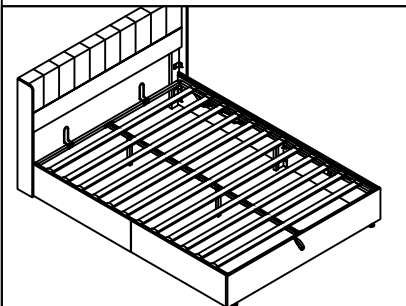


M8\*18mm

8PCS

FRAME PARTS SECTION

Paso 2



Fije el panel 22 (pata de soporte central) a los paneles 4, 5 y 6, y asegúrelo con tornillos X5.

**Nota: Asegúrese de la correcta orientación del panel 22**

X5

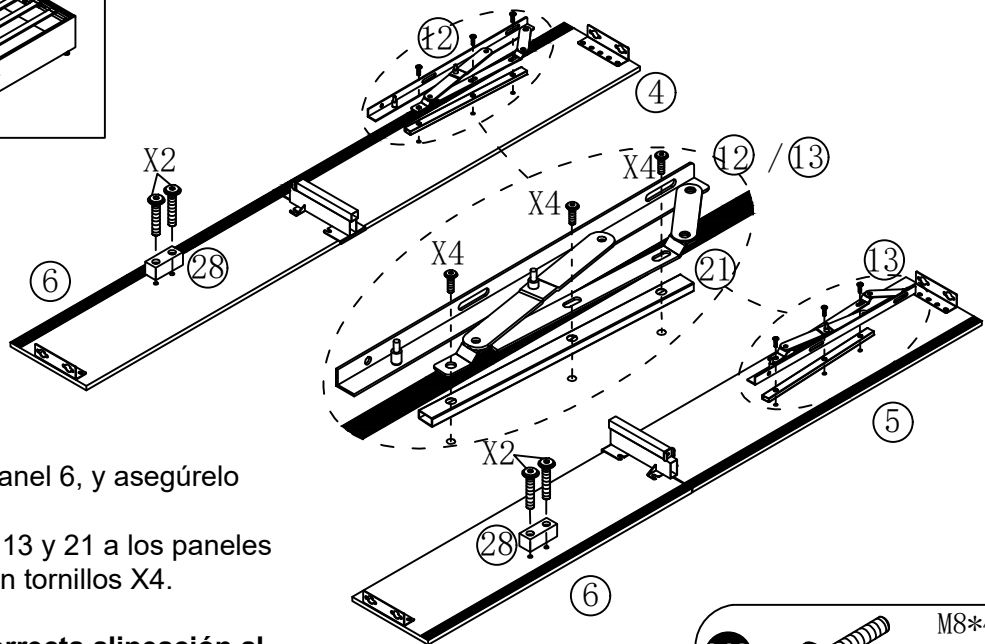
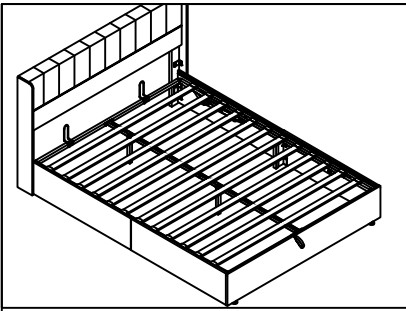


M8\*18mm

8PCS

## FRAME PARTS SECTION

### Paso 3



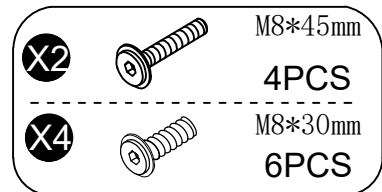
A. Fije el panel 28 al panel 6, y asegúrelo con tornillos X2.

B. Fije los paneles 12, 13 y 21 a los paneles 4 y 5, y asegúrelos con tornillos X4.

**Nota:**

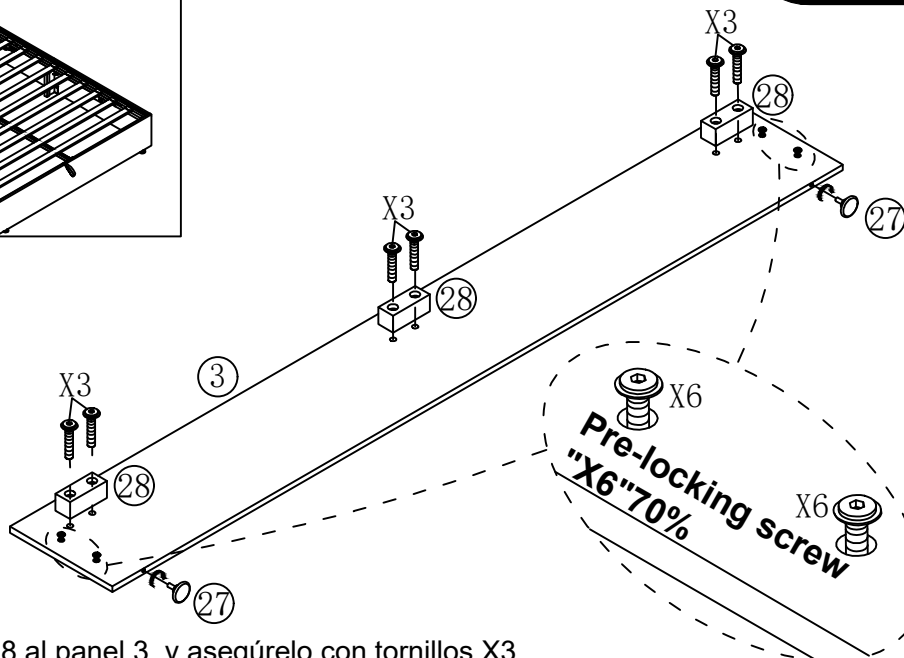
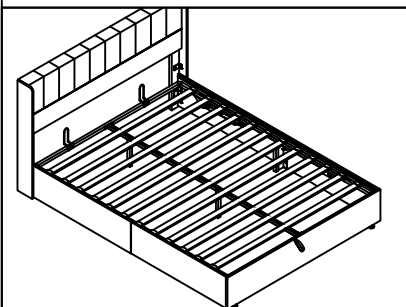
1. Asegúrese de la correcta alineación al conectar los paneles 12, 13 y 21 con los paneles 4 y 5.

2. Los paneles 12 y 13 deben estar por encima del panel 21.



## FRAME PARTS SECTION

### Paso 4



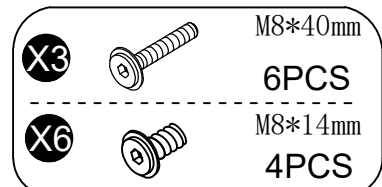
A. Fije el panel 28 al panel 3, y asegúrelo con tornillos X3.

B. Preinstale los tornillos X6 en el panel 3, apretándolos al 70%.

C. Fije el panel 27 al panel 3, y apriete completamente.

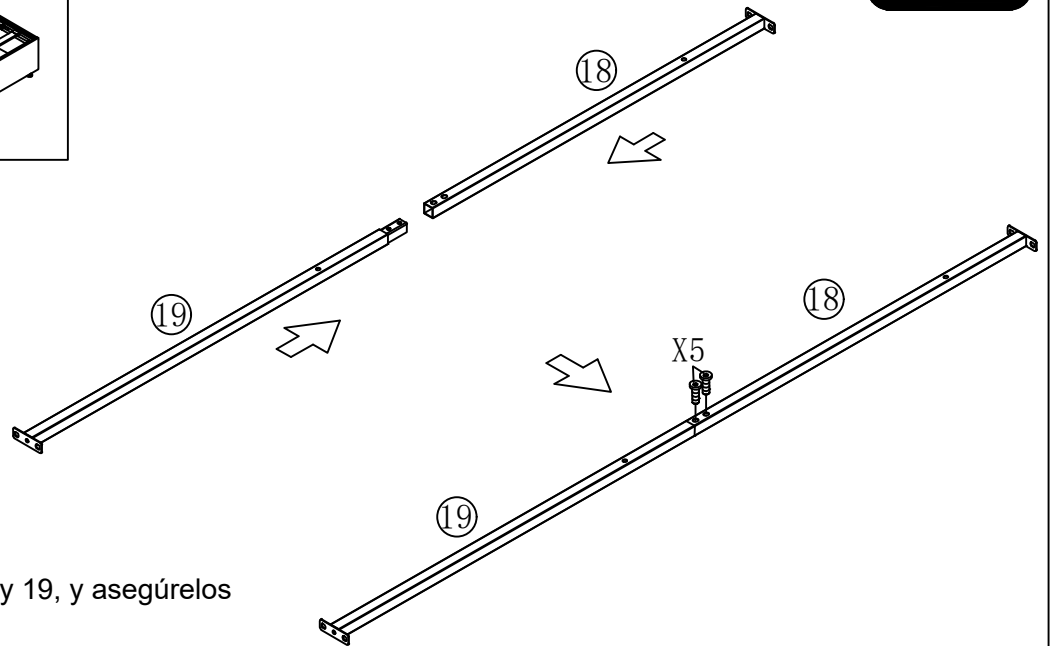
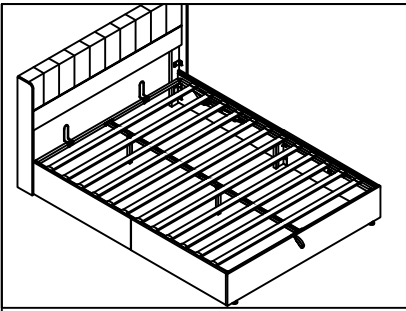
**Nota:**

- Asegúrese de que el panel 27 esté alineado correctamente antes de apretar.
- Alinee los tornillos X6 preinstalados con los agujeros designados.



## FRAME PARTS SECTION

### Paso 5



Conecte los paneles 18 y 19, y asegúrelos con tornillos X5.

**Nota:** Asegúrese de la correcta orientación de los paneles 18 y 19 (este lado es la parte trasera).

X5

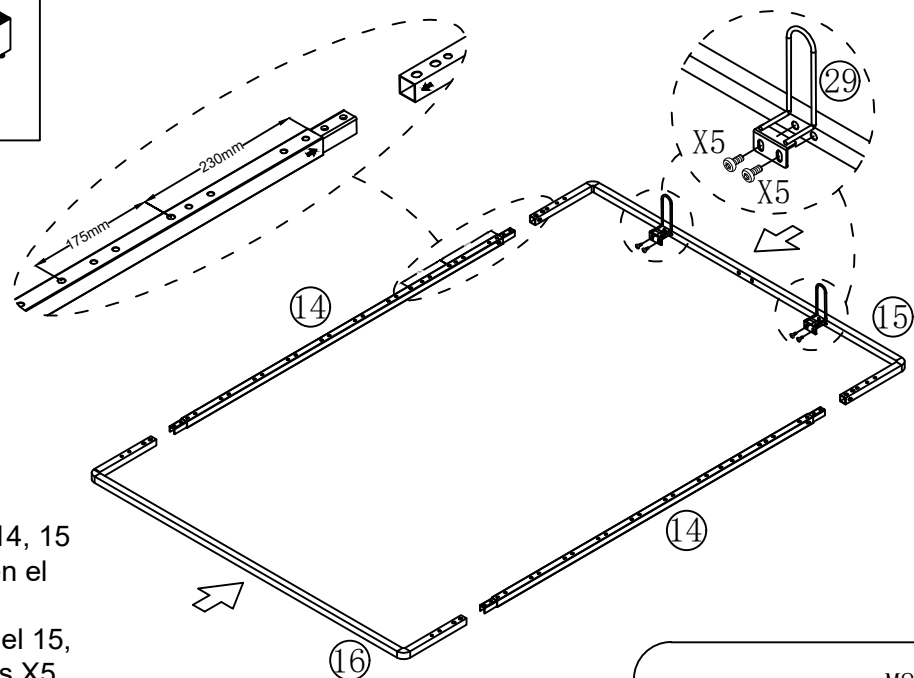
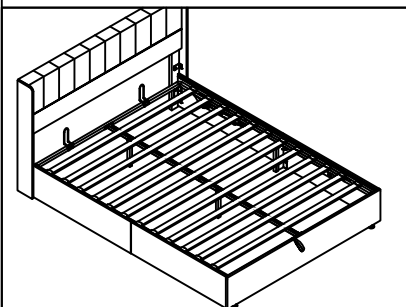


M8\*18mm

2PCS

## FRAME PARTS SECTION

### Paso 6



A. Coloque los paneles 14, 15 y 16 como se muestra en el diagrama.

B. Fije el panel 29 al panel 15, y asegúrelo con tornillos X5.

**Nota:** Alinee la dirección de las flechas en los paneles 14 y 15.

X5

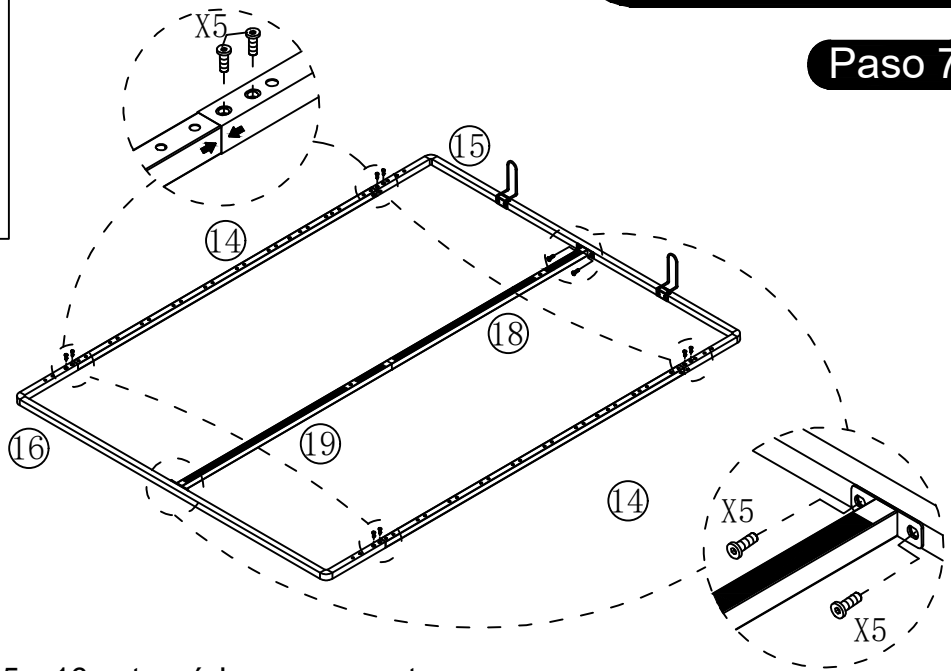
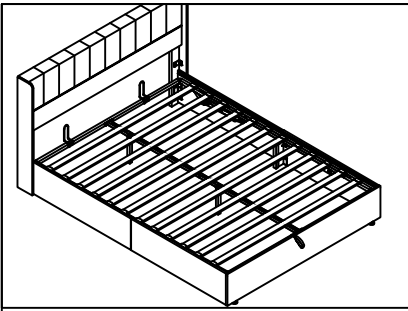


M8\*18mm

4PCS

FRAME PARTS SECTION

Paso 7



Conecte los paneles 14, 15 y 16 entre sí. Luego, conecte los paneles 18 y 19 a los paneles 15 y 16, y asegúrelos con tornillos X5.

**Nota: Asegúrese de la correcta orientación de los paneles 18 y 19.**

X5

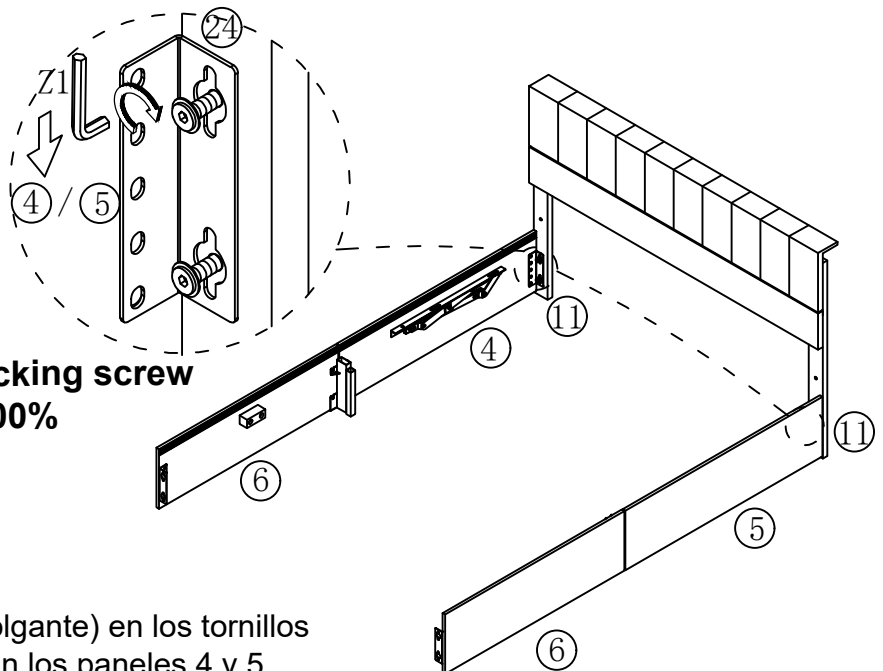
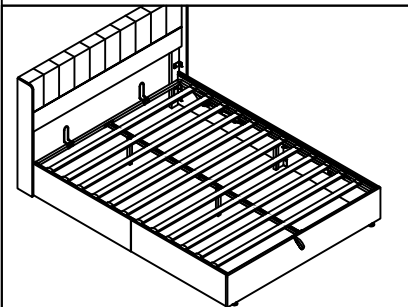


M8\*18mm

12PCS

FRAME PARTS SECTION

Paso 8

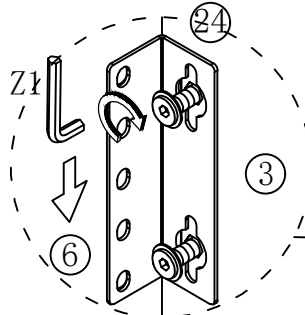
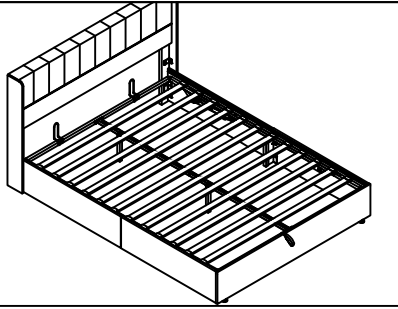


Pre-locking screw  
"X4"100%

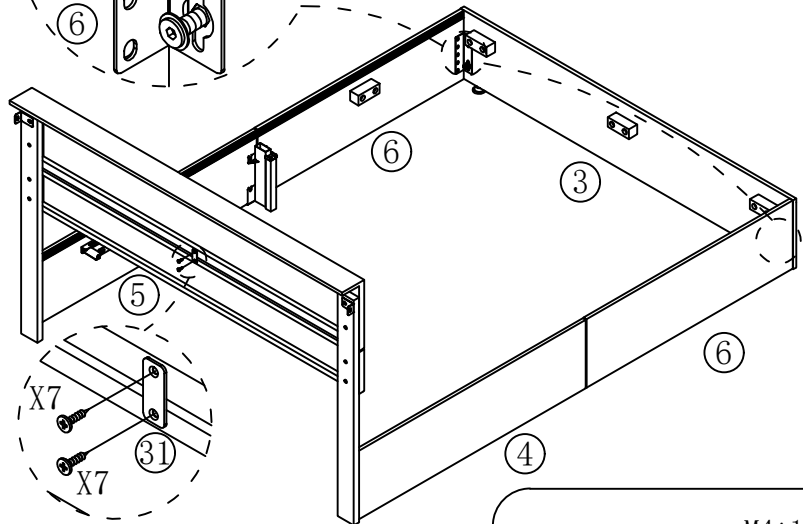
Cuelgue el panel 24 (soporte colgante) en los tornillos preinstalados en el panel 11 y en los paneles 4 y 5 instalados, luego apriete firmemente.

**FRAME PARTS SECTION**

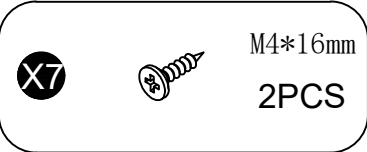
**Paso 9**



Pre-locking screw  
"X6"100%

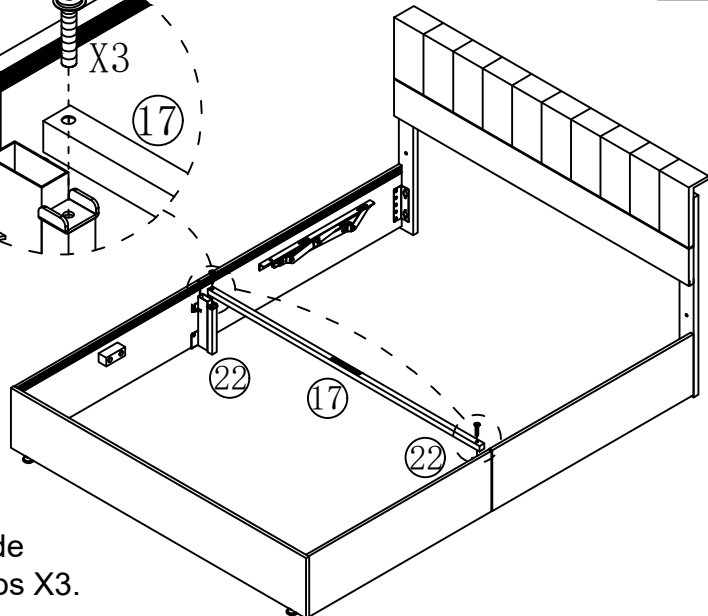
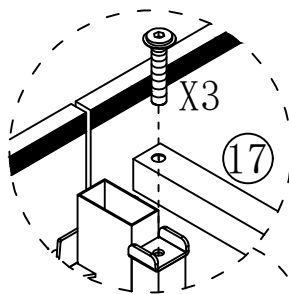
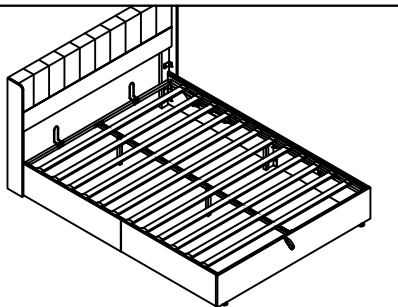


Cuelgue el panel 24 (soporte colgante) en los tornillos preinstalados en el panel 3 y en el panel 6 instalado, luego apriete firmemente.

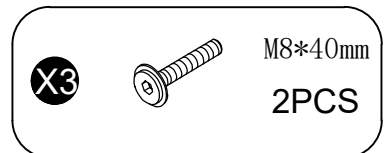


**FRAME PARTS SECTION**

**Paso 10**

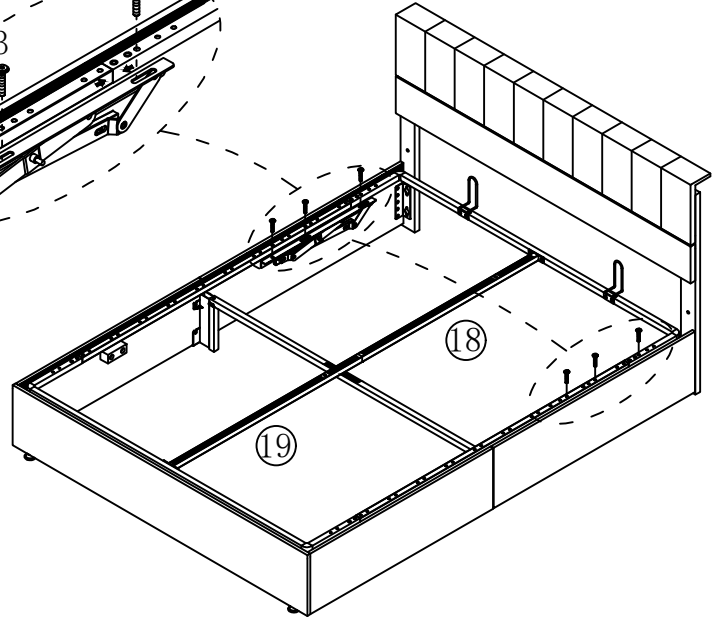
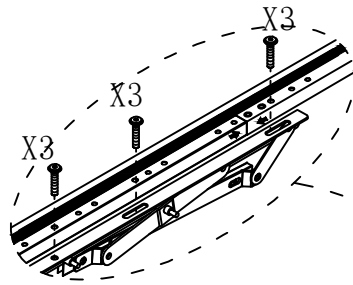
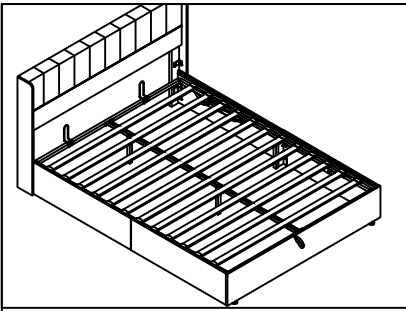


Conecte el panel 17 al panel 22 (pata de soporte central) y asegúrelo con tornillos X3.



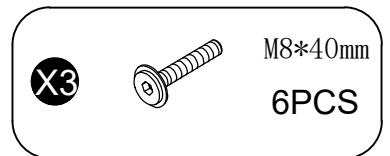
FRAME PARTS SECTION

Paso 11



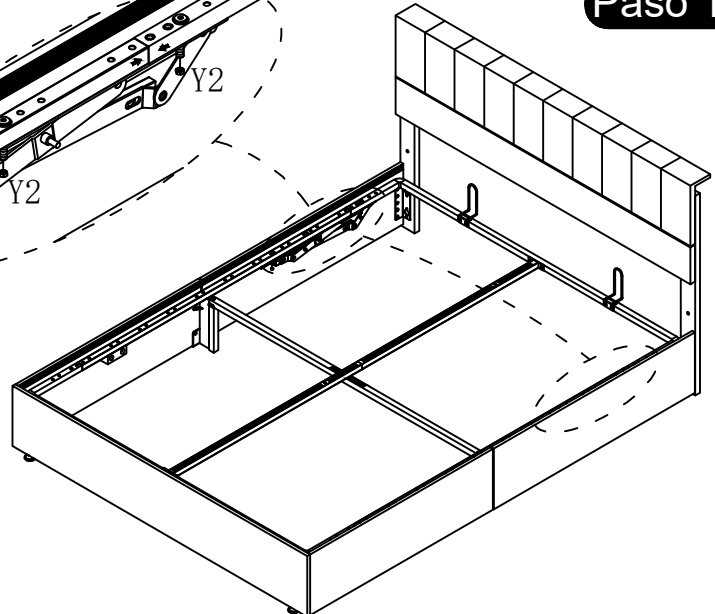
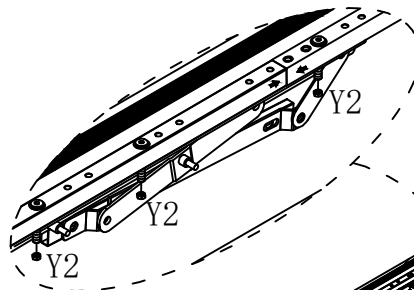
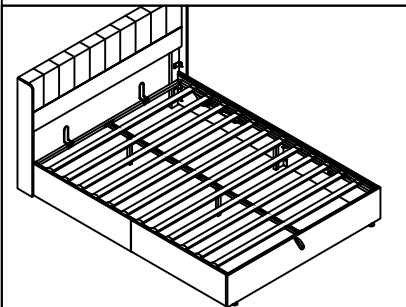
Use tornillos X3 para fijar los paneles 14, 15 y 16 a H1 y H2.

**Nota:** Alinee los agujeros de los paneles 14, 15 y 16 con los paneles 12 y 13.

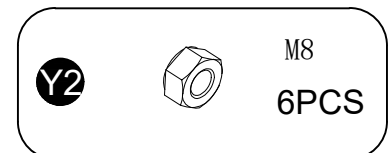


FRAME PARTS SECTION

Paso 12

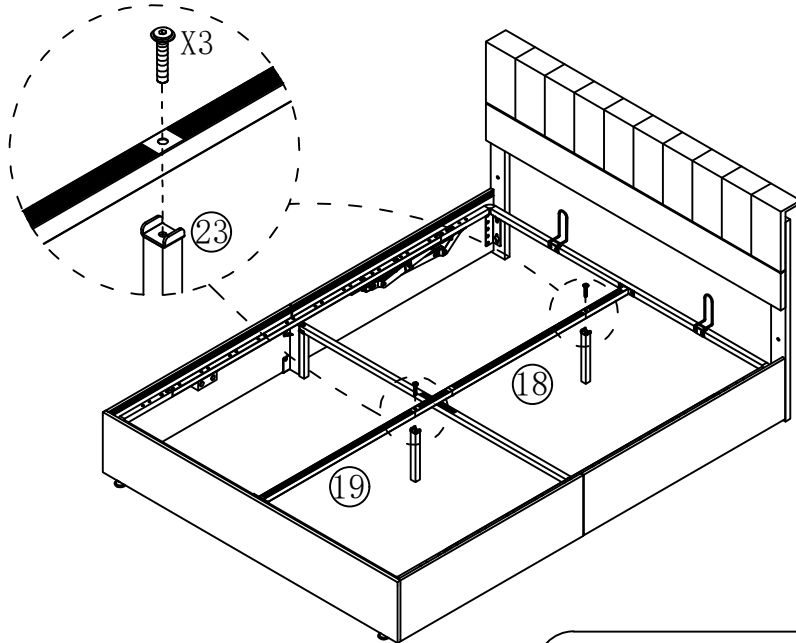
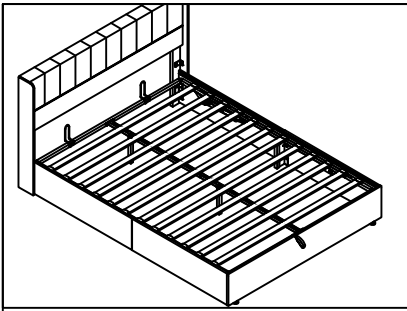


Apriete los tornillos X3 usando tuercas Y2.

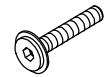


## FRAME PARTS SECTION

### Paso 13



X3



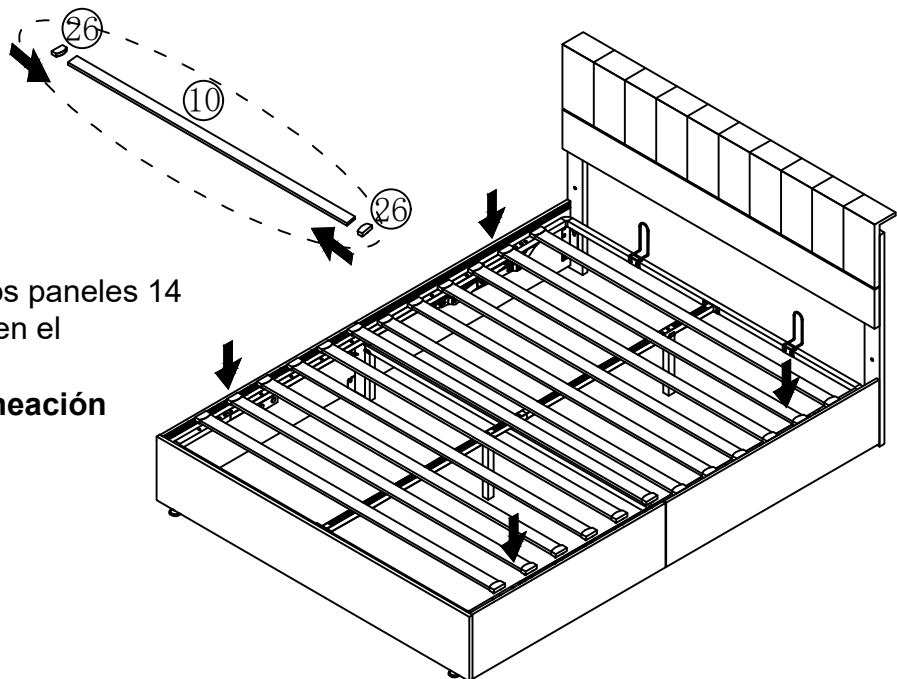
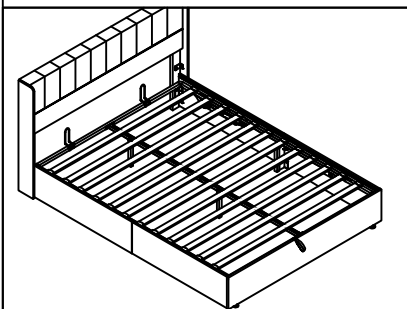
M8\*40mm

2PCS

Fije el panel 23 a los paneles 18 y 19, y asegúrelo con tornillos X3.

## FRAME PARTS SECTION

### Paso 14

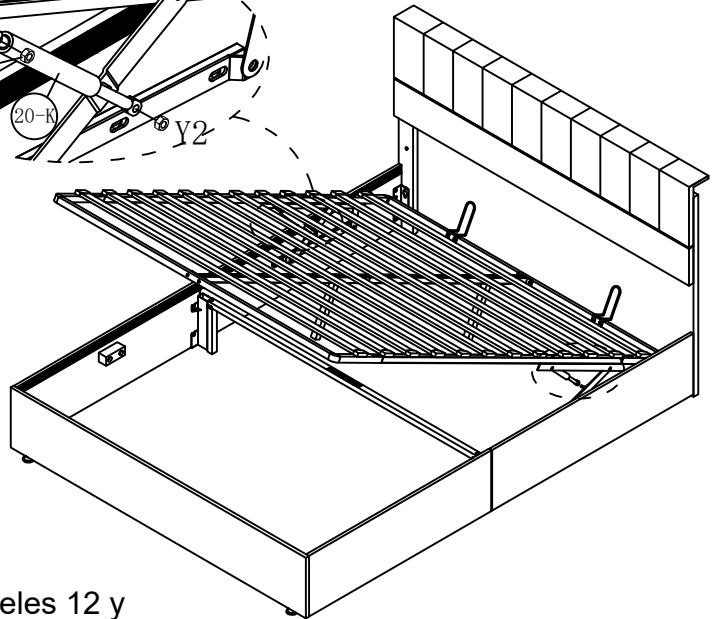
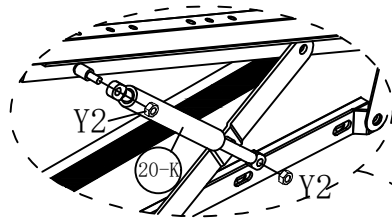
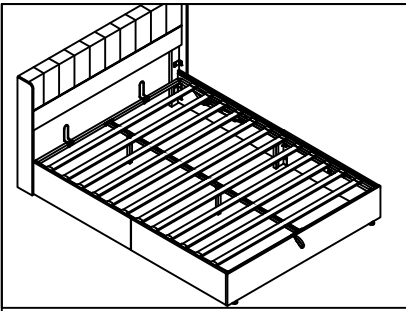


Fije los paneles 10 y 26 a los paneles 14, 15 y 16, como se muestra en el diagrama.

**Nota: Asegúrese de la alineación correcta de los agujeros.**

FRAME PARTS SECTION

Paso 15



Fije el panel 20 (barra hidráulica) a los paneles 12 y 13, y apriete usando tuercas Y2.

**Nota: El extremo más grande del panel 20 debe estar orientado hacia arriba.**

Y2

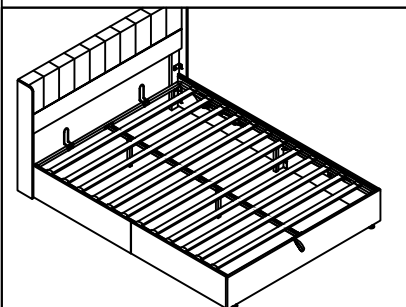


M8

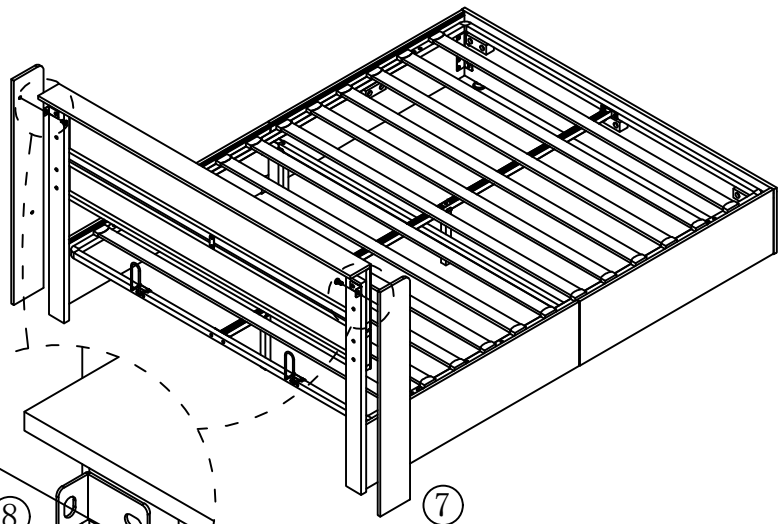
4PCS

FRAME PARTS SECTION

Paso 16



8



7

7 / 8

X6

Conecte el componente 25 preinstalado en el panel 1 a los paneles 7 y 8, y asegúrelo con tornillos X6.

No apriete completamente en esta etapa.

X6

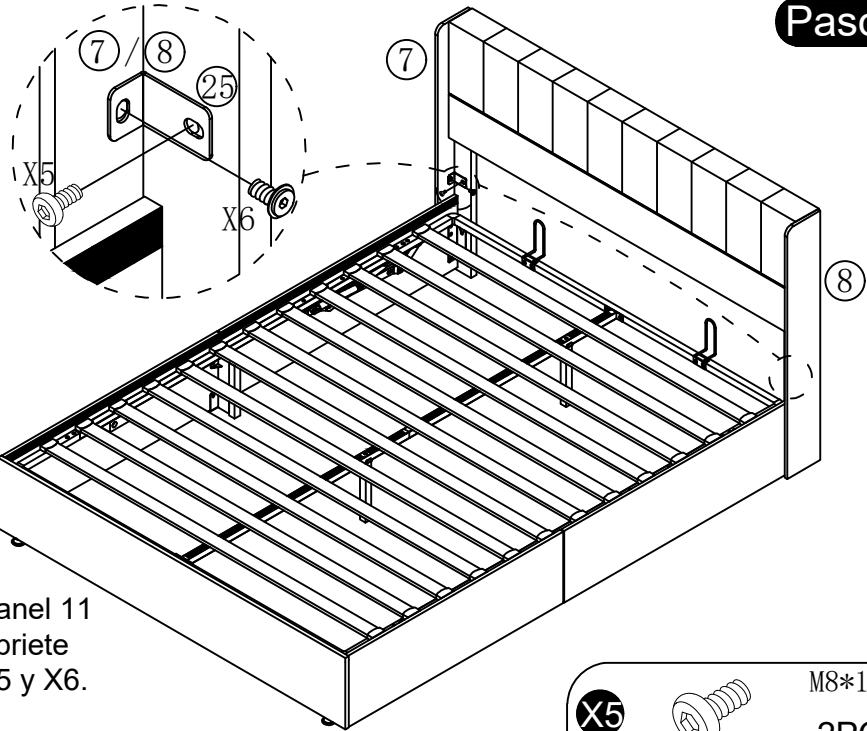
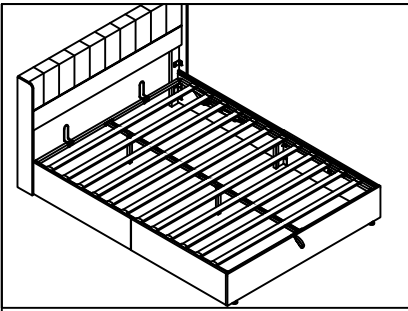


M8\*14mm

2PCS

**FRAME PARTS SECTION**

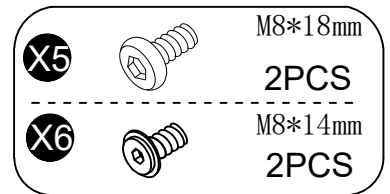
**Paso 17**



Conecte los paneles 7 y 8 al panel 11 usando el componente 25, y apriete completamente con tornillos X5 y X6.

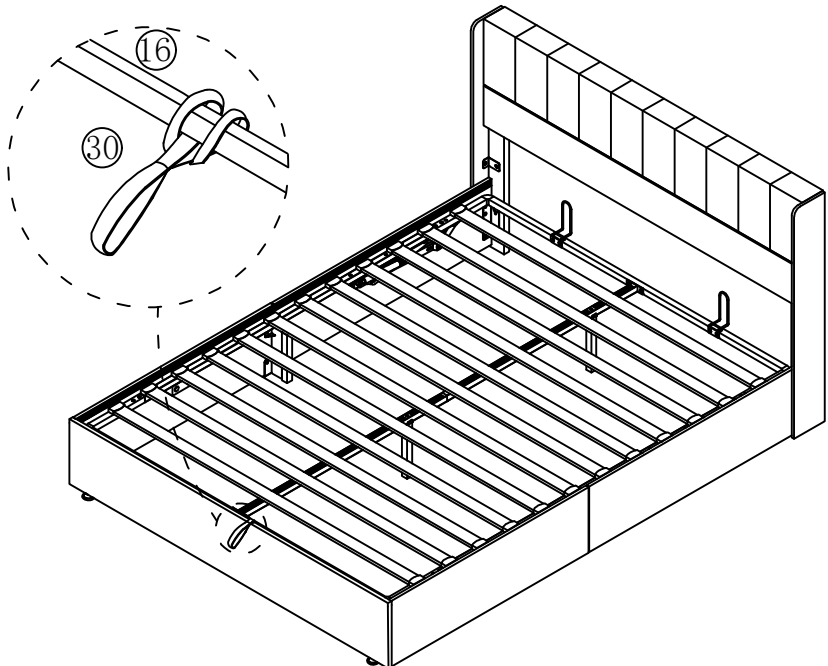
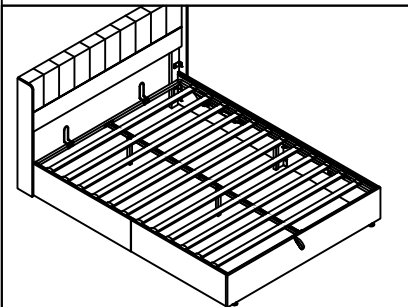
Nota:

- **Asegúrese de la alineación correcta de los agujeros.**
- **Apriete completamente todos los tornillos**



**FRAME PARTS SECTION**

**Paso 18**



Fije el panel 30 al panel 16, como se muestra en el diagrama.



## MANTENIMIENTO Y CUIDADO

Siga estas recomendaciones para preservar la durabilidad y apariencia de su mueble:

### 1.Prevencción de Plagas

- Mantenga el mueble alejado de áreas húmedas para evitar daños por insectos y deterioro de la madera.
- Utilice un deshumidificador o aire acondicionado en temporadas húmedas.

### 2.Protección contra la Luz Solar

- Evite la exposición directa al sol para prevenir deformaciones y decoloración.
- Use cortinas o películas con filtro UV si la exposición es inevitable.

### 3.Seguridad contra el Fuego

- Mantenga los muebles alejados de fuentes de calor y llamas abiertas.

### 4.Mantenimiento Periódico

- Aplique aceite o cera para muebles regularmente para evitar resequedad y grietas.

### 5.Limpieza Adecuada

- Quite el polvo con un paño suave o una aspiradora.
- Use un paño ligeramente húmedo para limpiar y seque de inmediato.

### 6.Control de Humedad

- Asegure una ventilación adecuada para evitar moho o hinchazón de la madera.

### 7.Evite Productos Químicos

- No utilice limpiadores agresivos, ácidos o disolventes fuertes.

### 8.Medidas de Protección

- Use posavasos, manteles y almohadillas de fieltro para evitar rayones y manchas.

### 9.Limitación de Exposición al Sol

- Coloque el mueble en áreas sombreadas para evitar resequedad y pérdida de color.

Nota: Un mantenimiento inadecuado puede anular la garantía. Para asistencia, contacte al servicio de atención al cliente.