

Cantilever Umbrella

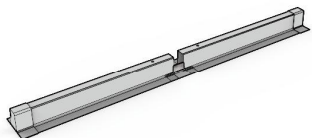
Assembly and Operation Manual



10'×10' Square

CHECK LIST

A × 1

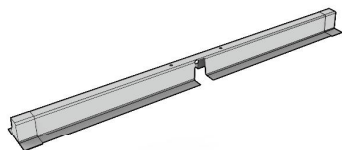


F × 4
(M8×14)



*black bolts

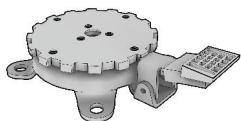
B × 1



G × 8
(Ø8)



C × 1



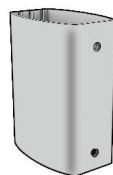
H × 4
(M8×20)



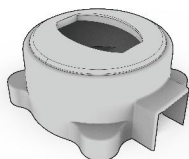
D × 1



I × 1



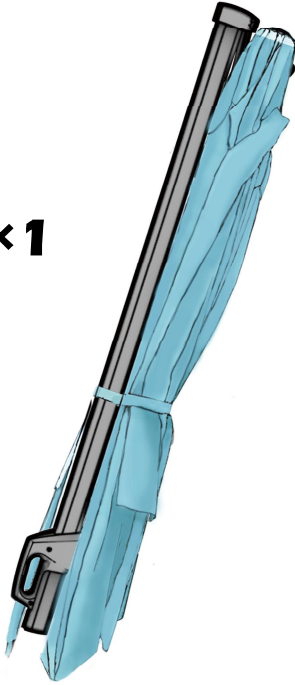
E × 1



J × 1
(M8×20)



K × 1



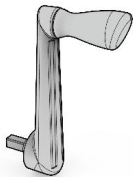
N × 1
(T6)



L × 1



M × 1

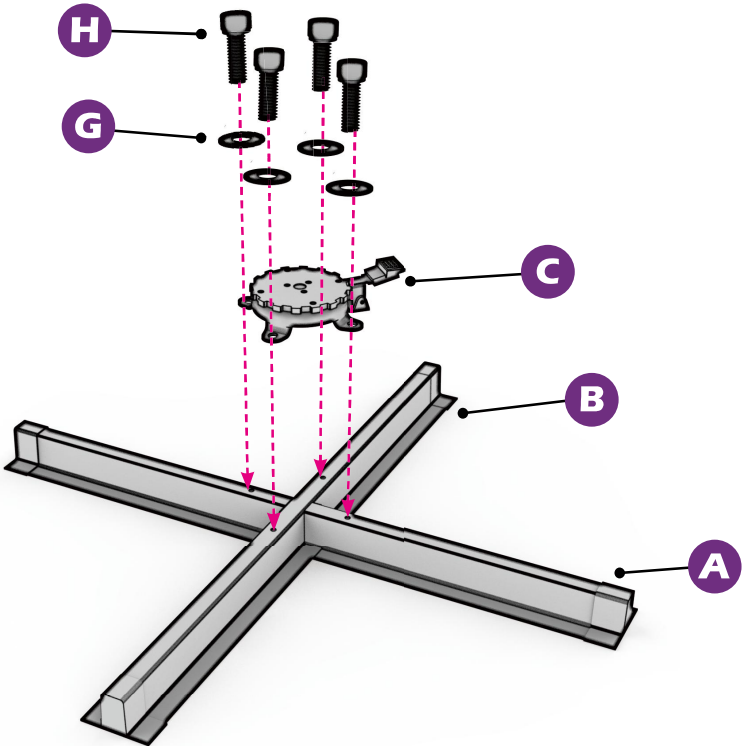


1

Base Tube Assembly

Option 1 Cross Base

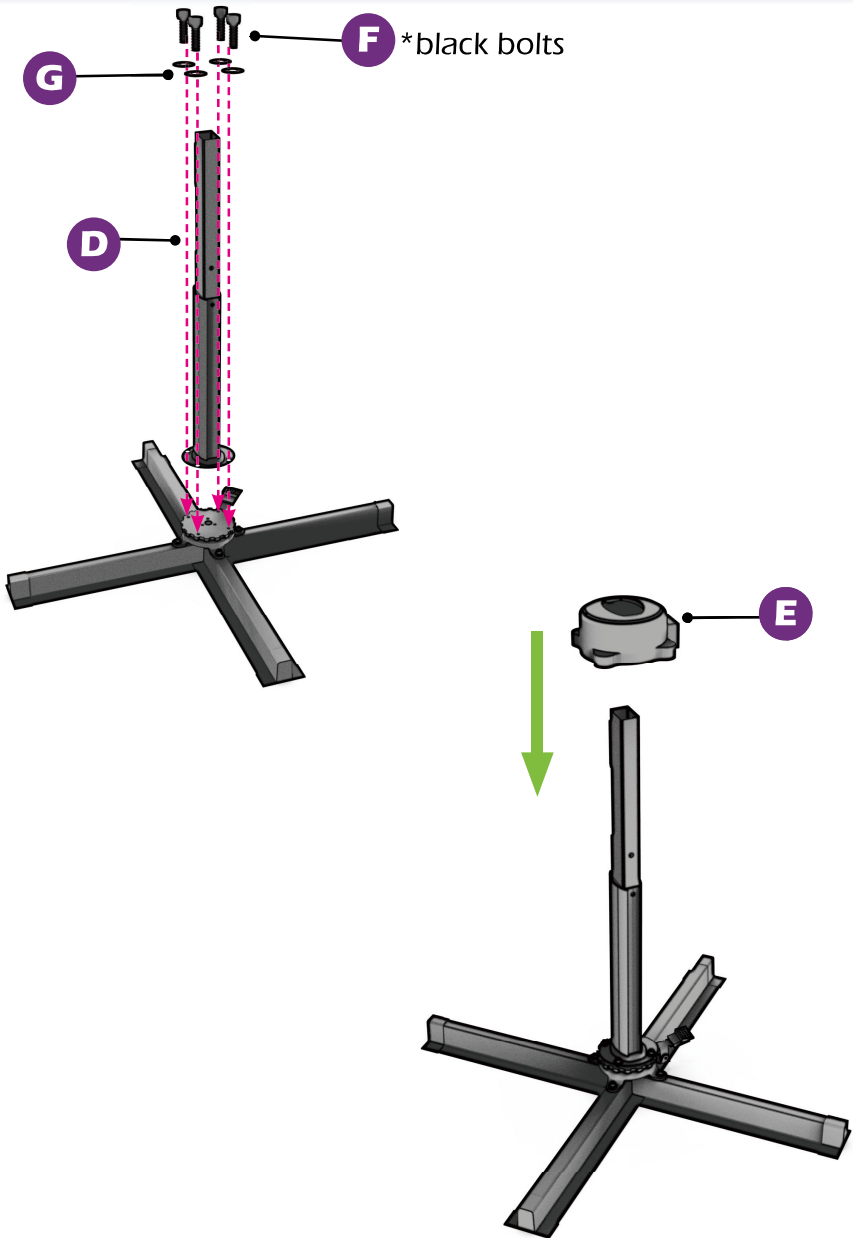
**Adding something heavy on
crossbase like water tank**



**Notice: Make sure you have
enough space to operate the
pedal before installation.**

Base Tube Assembly

1



1

Base Tube Assembly

Option 2
Inground Base
(Sold Separately)

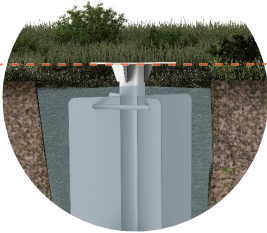


gently
put it down

filling the bottom of
the hole with gravel

28"

24"



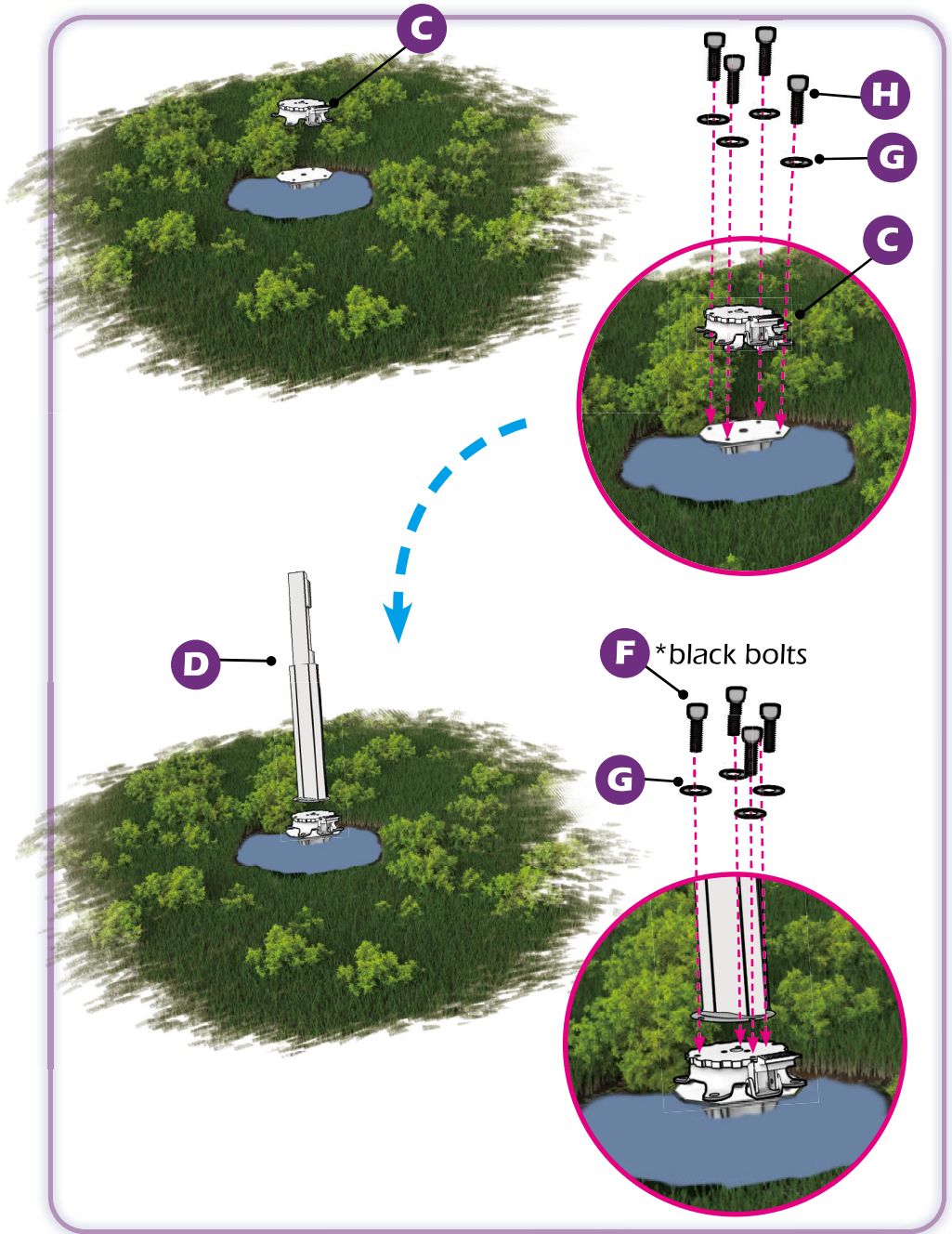
Horizontal

Concrete >700lbs



Base Tube Assembly

1

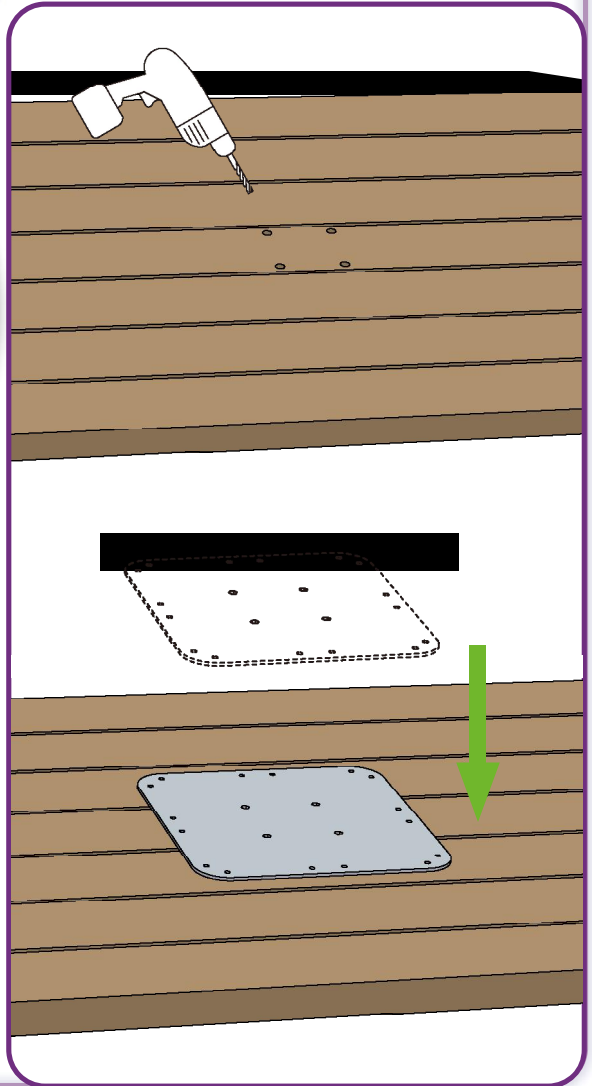
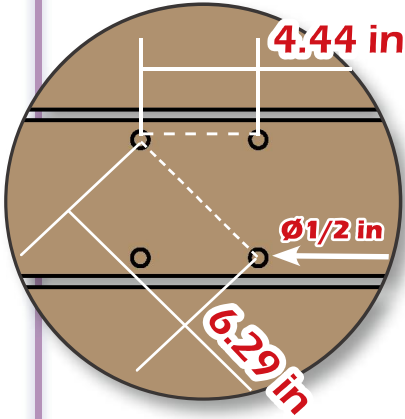


1

Base Tube Assembly

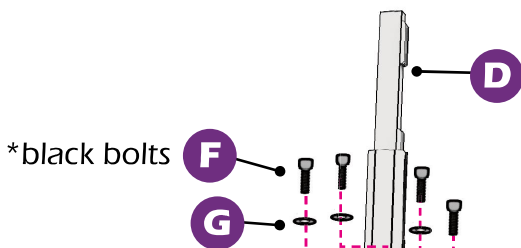
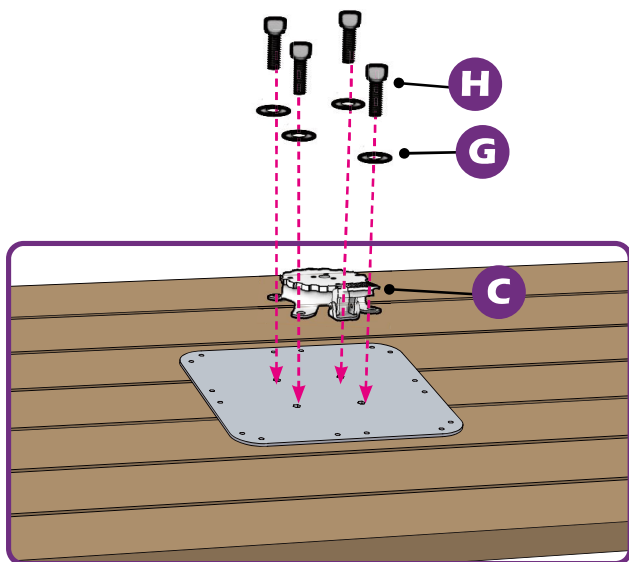
Option 3 Baseplate

(Sold Separately)

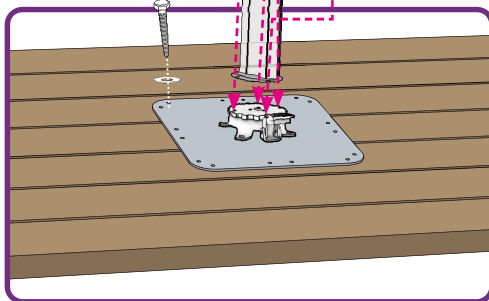


Base Tube Assembly

1



Use lag screws with washers to mount the umbrella (included in package).



1

Base Tube Assembly

Important

Prior to assembly it is important to decide on the location of the umbrella.

- Allow ample height to avoid damage to your umbrella during assembly and usage.
- Choose a location that is **level and sturdy**.
- Consider a location that will maximize the umbrella's rotating swivel function. Placing the umbrella between two entertaining areas is ideal.
- To avoid personal injury or damage to the umbrella, make sure the area around you is clear from any outdoor structure or furniture.
- Keep all flame and heat sources away from this umbrella.

STORAGE: Properly store umbrella when not in use. Close umbrella, tie string around canopy and cover umbrella with provided protective cover.

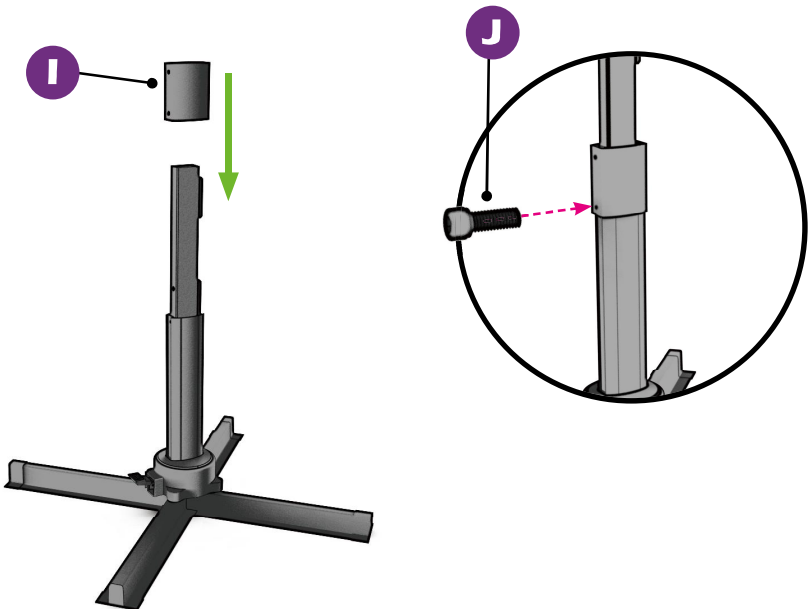
NOTE: DO NOT discard any packaging or box until assembly is complete.

CAUTION: Moving the umbrella fully assembled will increase the risk of damage to your umbrella and/or can cause serious injury. We recommend a two-person team for assembly and disassembly.

Two-persons recommended for team lift and to complete assembly.

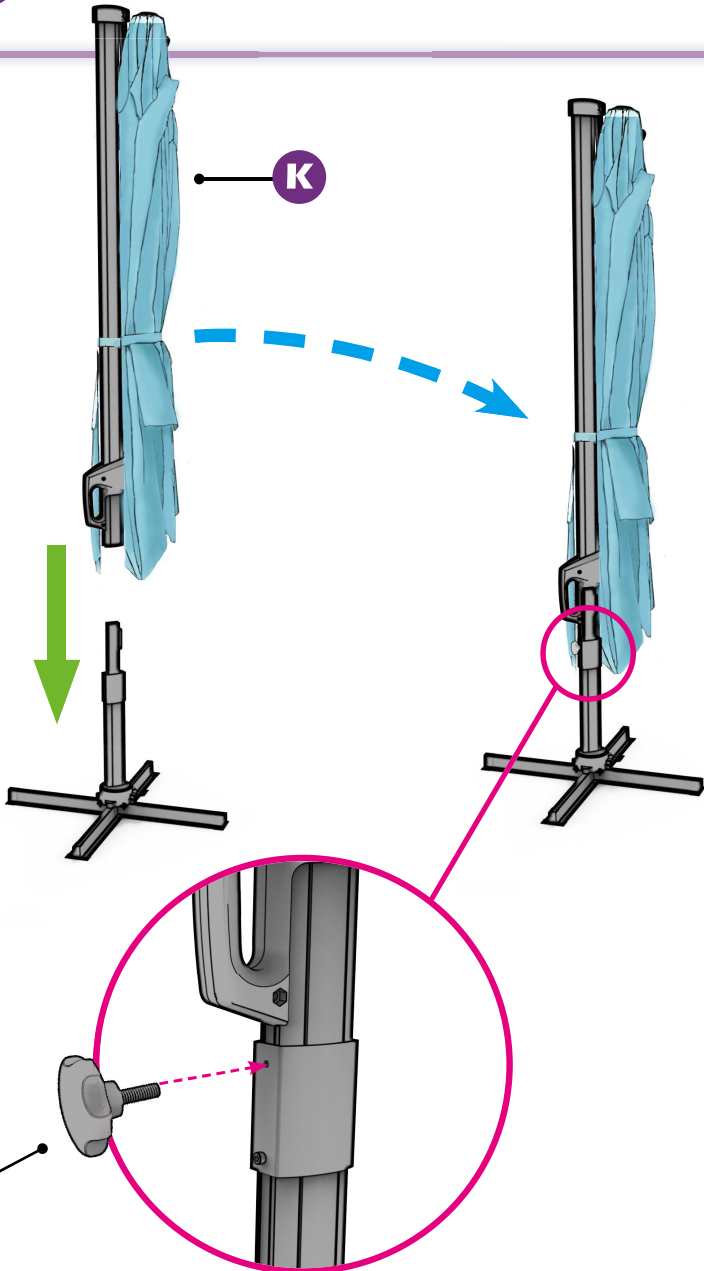
Insert the **main pole** onto the **base tube(D)** with the **cover plate(E)** installed.

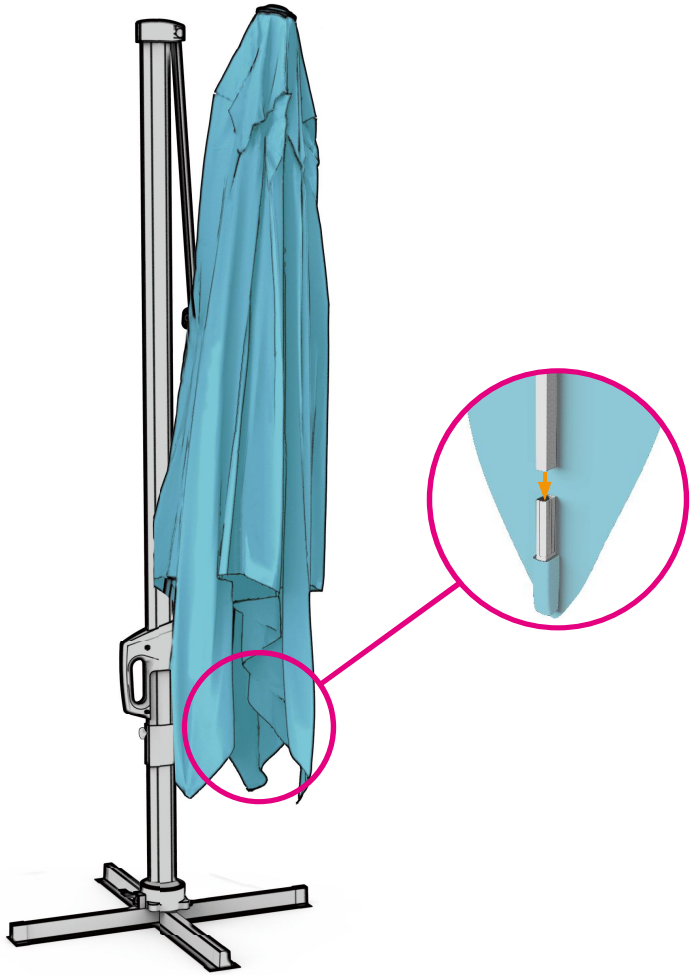
Please Remove all of foam material from the frame before opening umbrella.



2

Umbrella Assembly





3

Operation

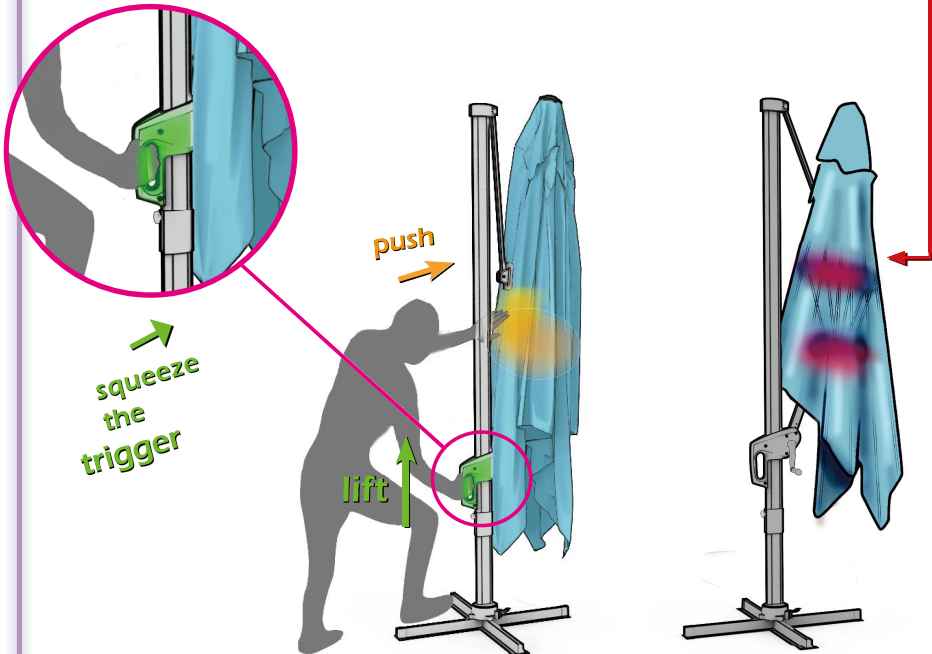
CAUTION: Stop turning the crank handle as soon as the umbrella cover is completely open and the sleeve on the umbrella pole has reached its maximum height.

IMPORTANT: PRIOR TO USING THE TILT FEATURE. To avoid personal injury or damage to the umbrella, make sure the area behind you is clear and free from any furniture or structure.

To Open Canopy

1. Slide the umbrella handle to the top of the pole by squeezing the trigger.
2. Insert the **hand crank(M)** into the small hole of the handle on the post.

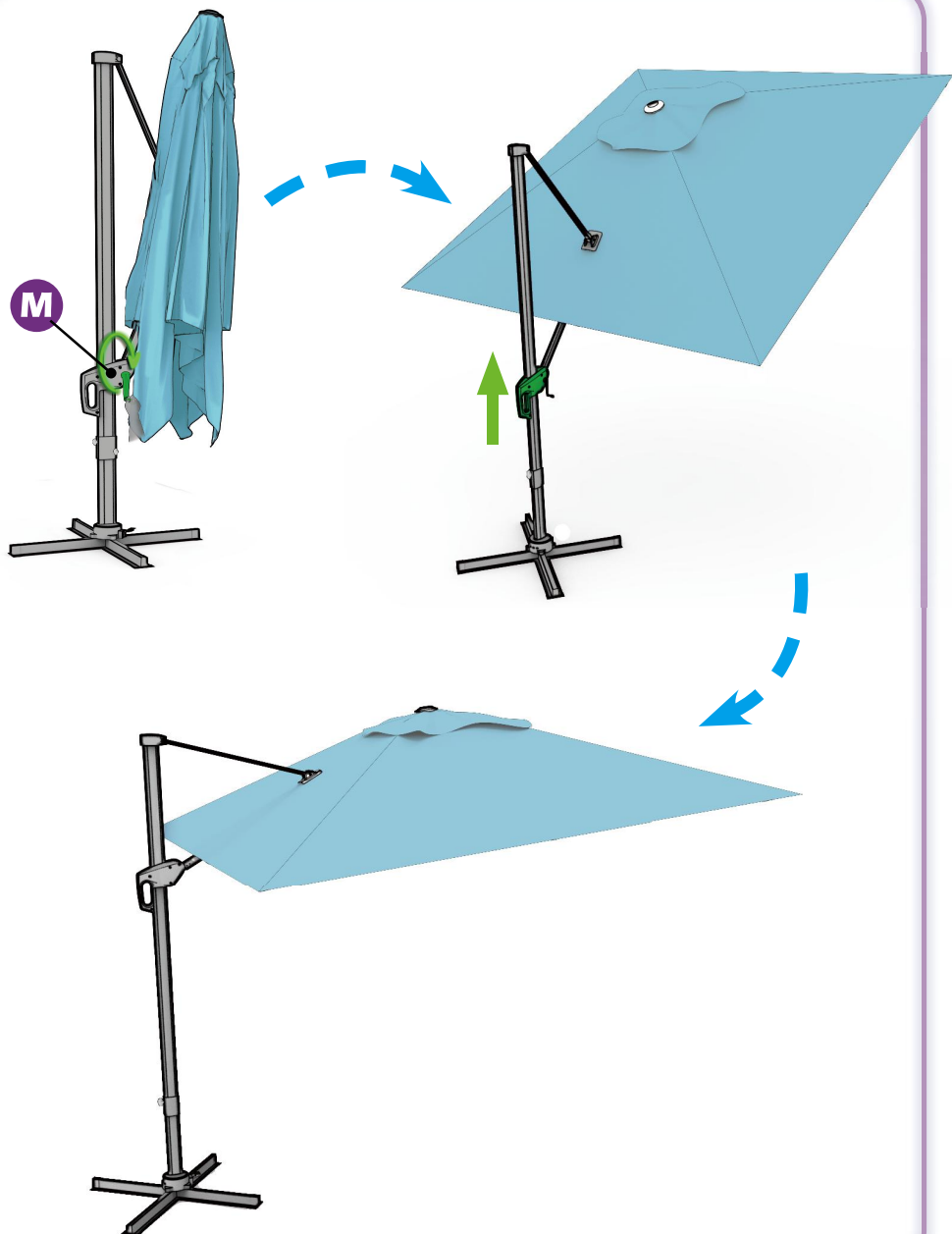
be sure to remove all the protective material inside



Note: be sure to remove all tape, form or cardboard from the umbrella before opening.

3

Operation

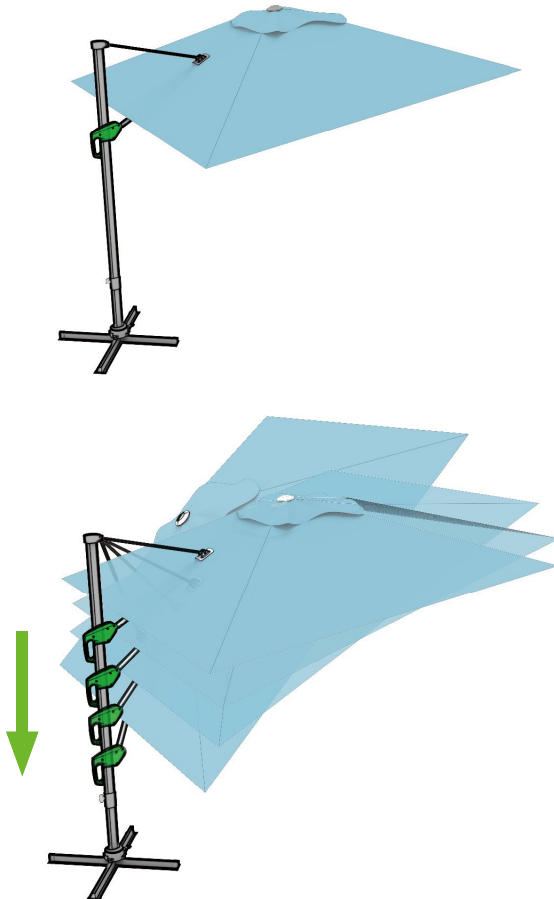


To Tilt Canopy

Press on the handle button and move the trigger handle up and down to adjust the angle of the umbrella canopy.

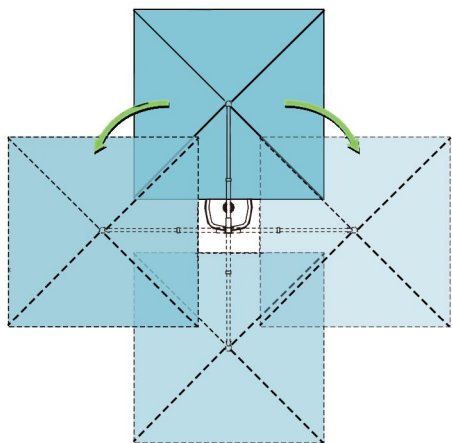
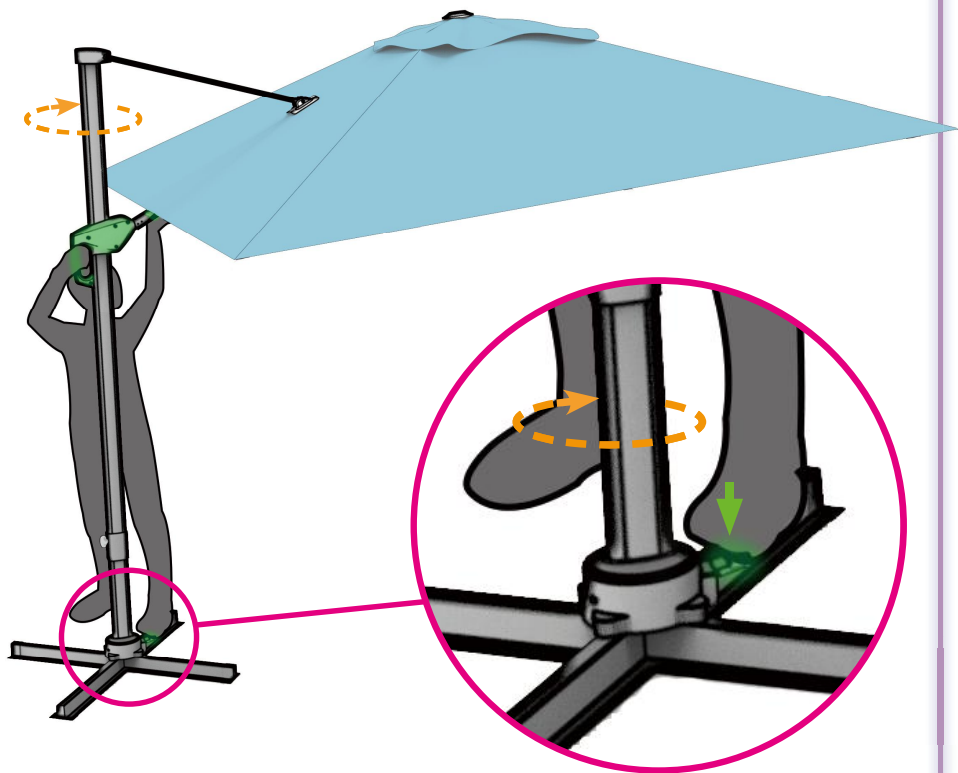
IMPORTANT: PRIOR TO USING THE TILT FEATURE.

To avoid personal injury or damage to the umbrella, make sure the area behind you is clear and free from any furniture or structure.



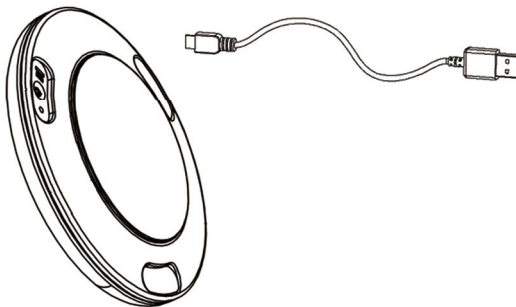
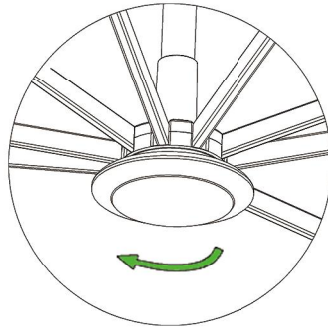
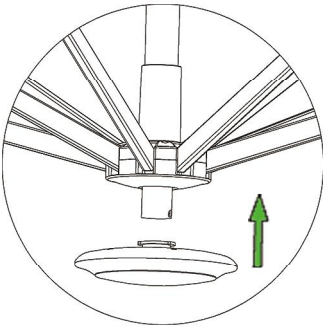
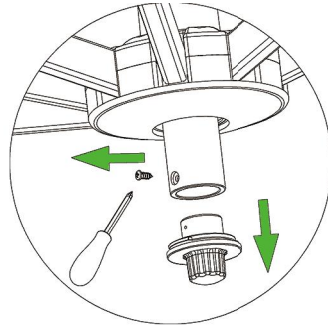
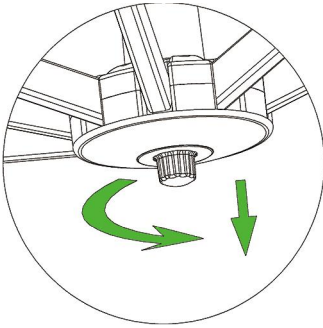
3

Operation



To Install Umbrella Light

(Sold Separately)



WARRANTY

Frame

Frames are warranted to be free from defects in materials and workmanship for a period of one year. Damage to frames or welds due to improper assembly or exposure to water and sub-freezing temperatures is not covered.

Fabric

Fabric is warranted for a period of three years (For sunbrella fabric, the warranty for 5 years). Fading or discoloration resulting from exposure to the elements, chemicals, or from spills is not covered.

Finish

The finish is warranted against peeling, cracking, or blistering for a period of one year, provided the unit has not been scratched or abraded. Scratches and chips resulting from abnormal wear and tear are not covered. Fading resulting from exposure to elements is not covered.

Note

All operation should be according to the instruction manual.

Exclusions

Failure caused by unreasonable or abusive use;
Failure caused by neglect of reasonable and necessary care;
Acts of nature (including but not limited to wind, hurricanes, tornadoes, and storms) are not covered by this warranty.

SAFETY PRECAUTIONS

Close the umbrella in windy conditions or when a storm approach.

Never allow the umbrella to flap in the wind; this could damage the canopy.

Properly store umbrella when not in use. Close umbrella, and cover umbrella with provided protective cover.

Do not leave open umbrella unattended. If damage occurs, this is not covered by the warranty.

When adjusting the umbrella, make sure that no person(s) or item(s) are close to the umbrella. This is important to prevent injury or material damage.

Care And Maintenance

When not in use, close and cover umbrella with a protective cover(sold separately).

If necessary, clean the fabric with lukewarm water.

Allow a wet canopy to dry slightly opened, but do not leave unattended.

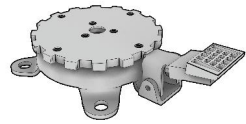
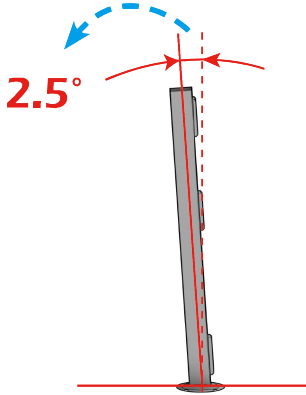
Wipe sliding marks on the aluminum poles with a damp cloth.

Winter Storage: Store In A Dry Place.

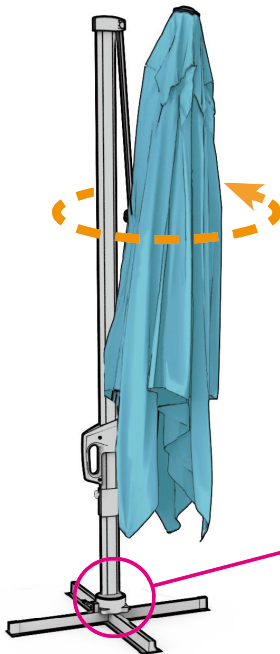
Attention

5

Umbrella base tube have 2.5° backward to the vertical for engineering purpose.



Part C won't be rotatable before the installation of umbrella.



If the umbrella is hard to be rotated, close and operate it like this may be helpful.

