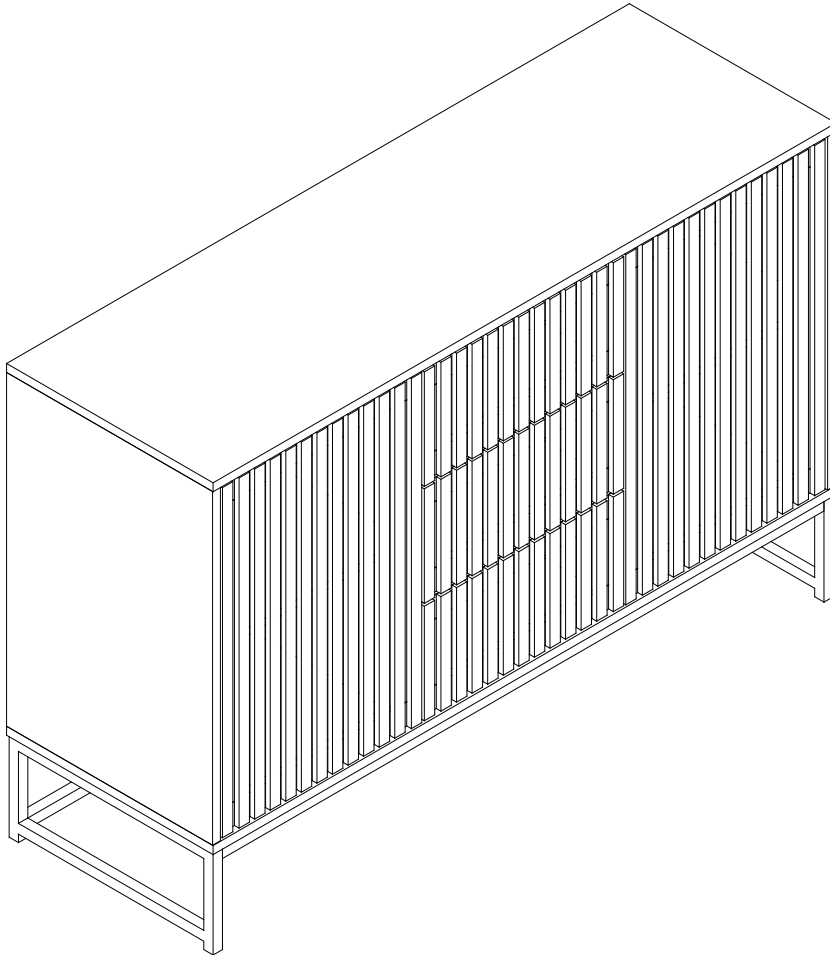


# Installation Instruction



Product name

---

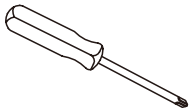
## 2 Door 3 Drawer Cabinet

Ver.1.0 20230801

# Assembling

## What you need

- Use the packaging carton as a working surface to prevent product damage during assembly
- Phillips head screwdriver



## Weight Limitation



**40** | **22**  
lbs table top | lbs per drawer



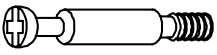
2 PERSONS

# What's included

Code	Description	Qty
A	Cam Bolt M6X35MM	28
B	Cam Lock 15X10MM	28
C	Screw M4X40MM	20
D	Screw M4X14MM	24
E	Screw M3.5X12MM	61
F	Screw M3X14MM	12
G	Screw M4X40MM	2
H	Screw M4X14MM	6
I	Wooden Dowel M6X30MM	24
J	Bolt M6X40MM	6
K	Bolt M6X30MM	10
L	Door Rebound Device	5
M	Door Rebound Device Holder	5
N	Metal Plate	5
O	Slide Sets	3
P	Hinge	4
Q	Nylon Strap	2
R	Anchor M6X30MM	2
S	Metal Support	8
T	Plastic Corner Support	12
U	Allen Key	1

# The Hardwares

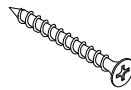
A



B



C



D



E



F



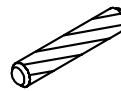
G



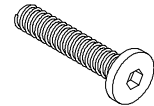
H



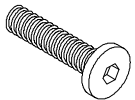
I



J



K



L



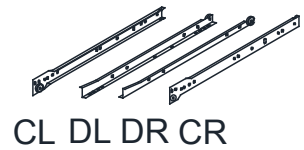
M



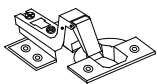
N



O



P



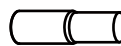
Q



R



S



T



U



## IMPORTANT:

1. Do not tighten bolts / screws completely until all bolts / screws are lined up and inserted into holes.
2. Do not over tighten screws and bolts to avoid stripping.
3. Please use hand tools to assemble this product. Do not use power tools.
4. Must need 2 people to assemble this product.

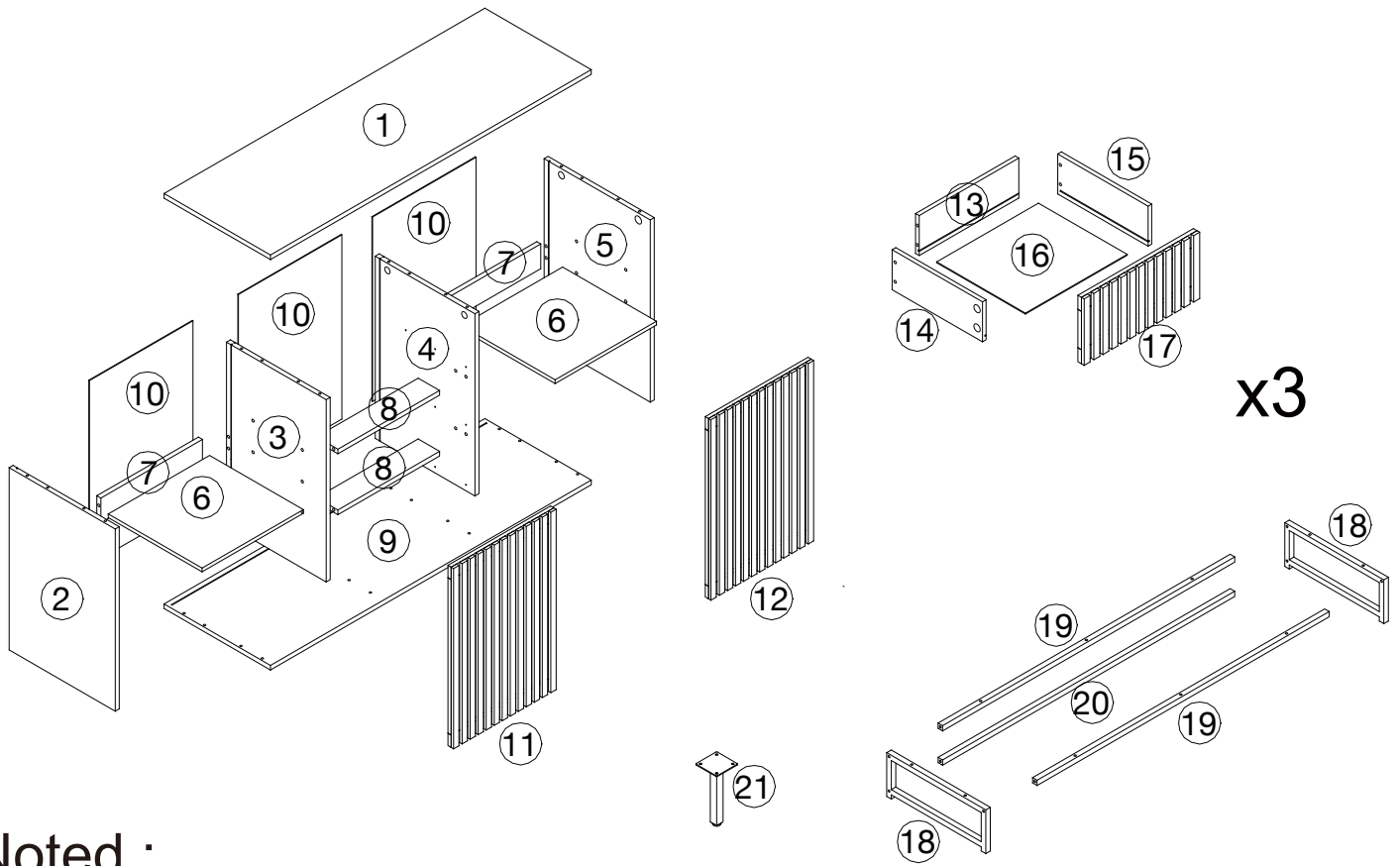


2 PERSONS

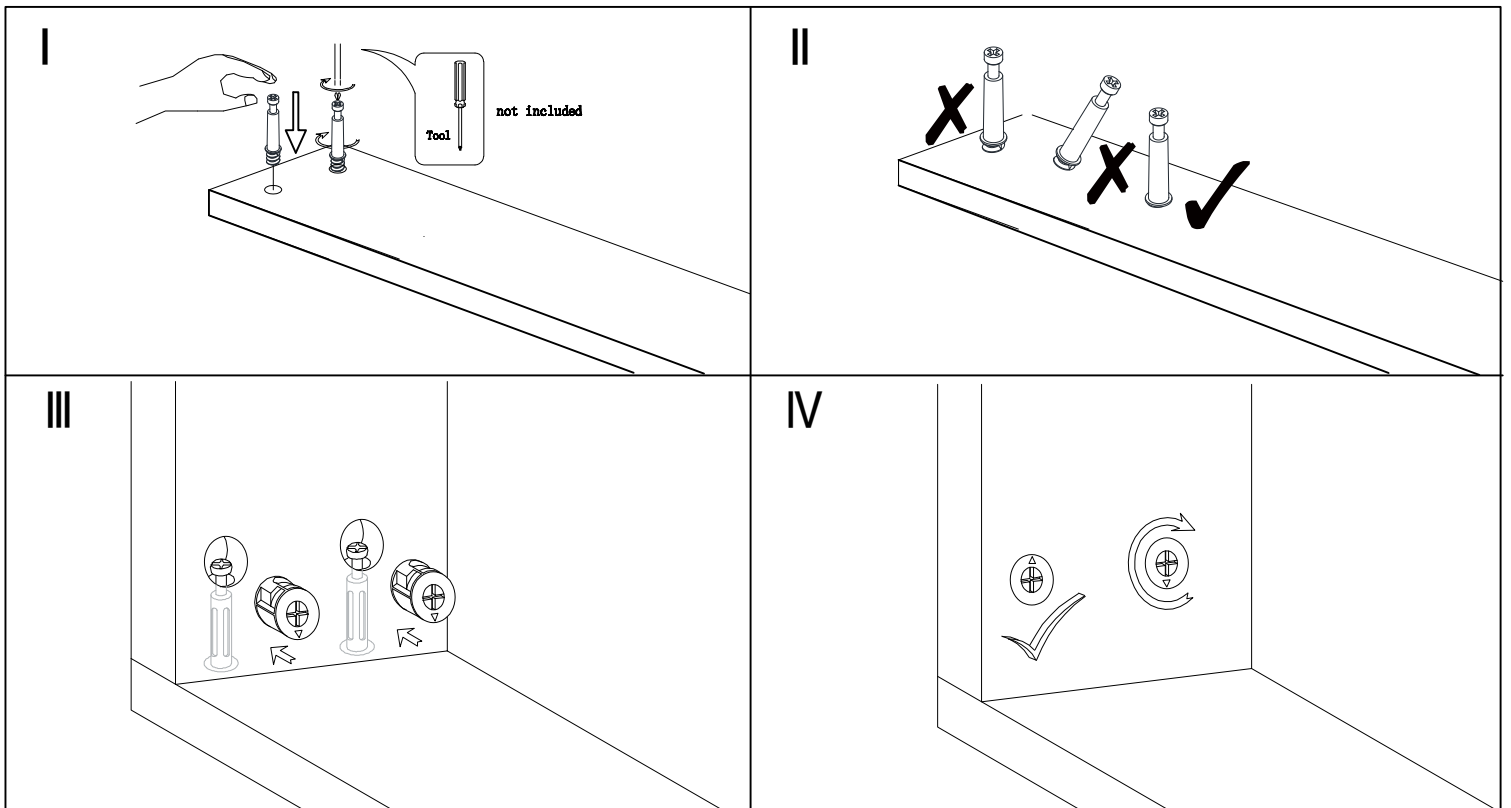
# Included Accessories

<b>Code</b>	<b>Description</b>	<b>Qty</b>
1	Cabinet Top	1
2	Left Side Panel	1
3	Middle Left Side Panel	1
4	Middle Right Side Panel	1
5	Right Side Panel	1
6	Shelf	2
7	Back Stretcher	2
8	Support Panel	2
9	Bottom Panel	1
10	Back Panel	3
11	Left Door	1
12	Right Door	1
13	Drawer Back Panel	3
14	Drawer Left Panel	3
15	Drawer Right Panel	3
16	Drawer Bottom Panel	3
17	Drawer Front Panel	3
18	Side Frame	2
19	Top Metal Stretcher	2
20	Bottom Metal Stretcher	1
21	Feet	1

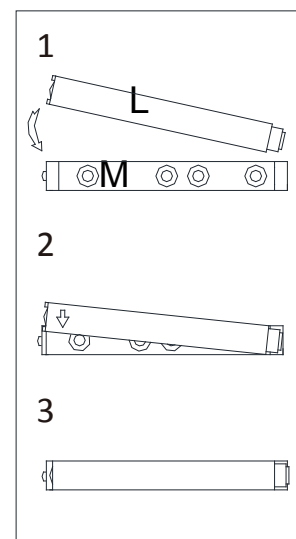
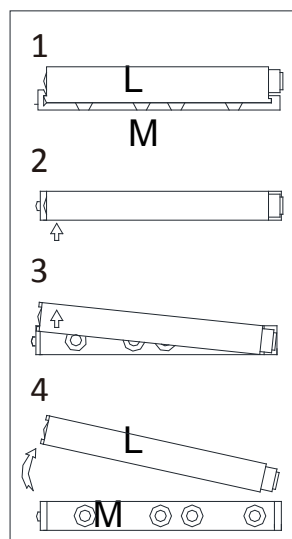
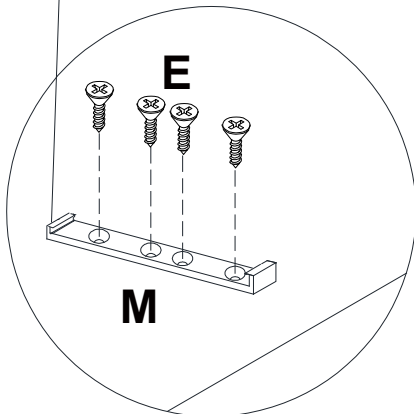
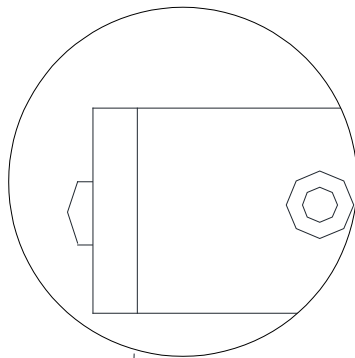
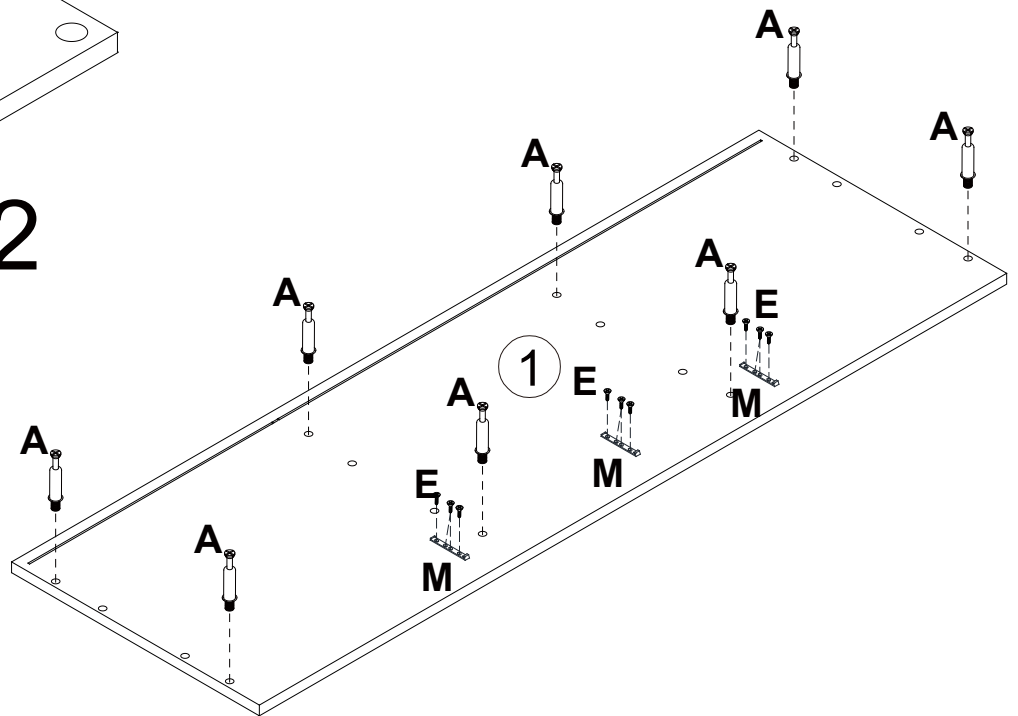
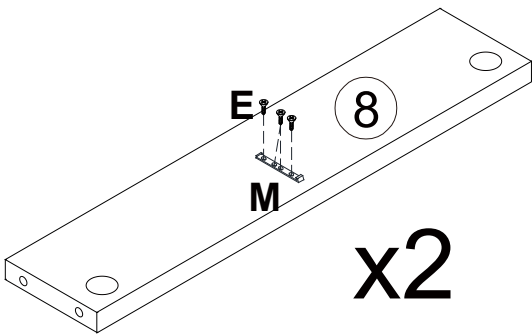
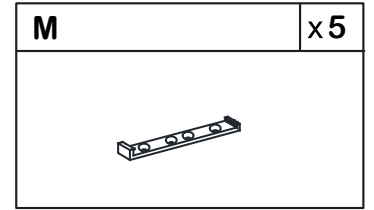
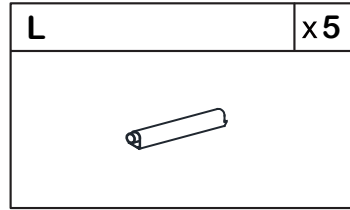
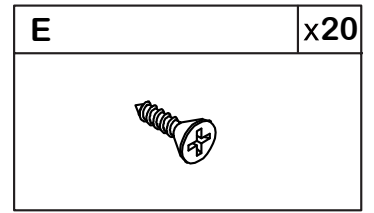
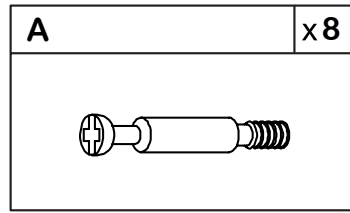
# The Accessories



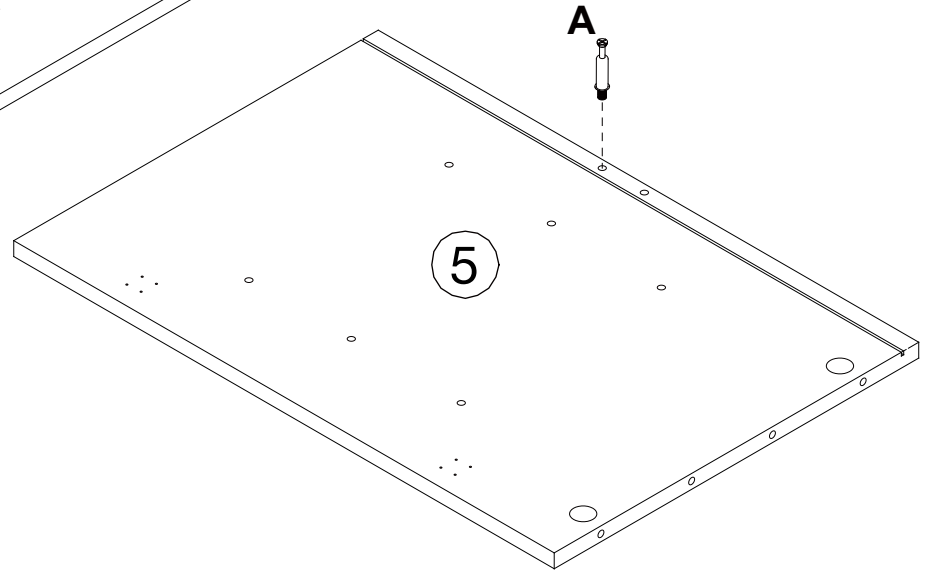
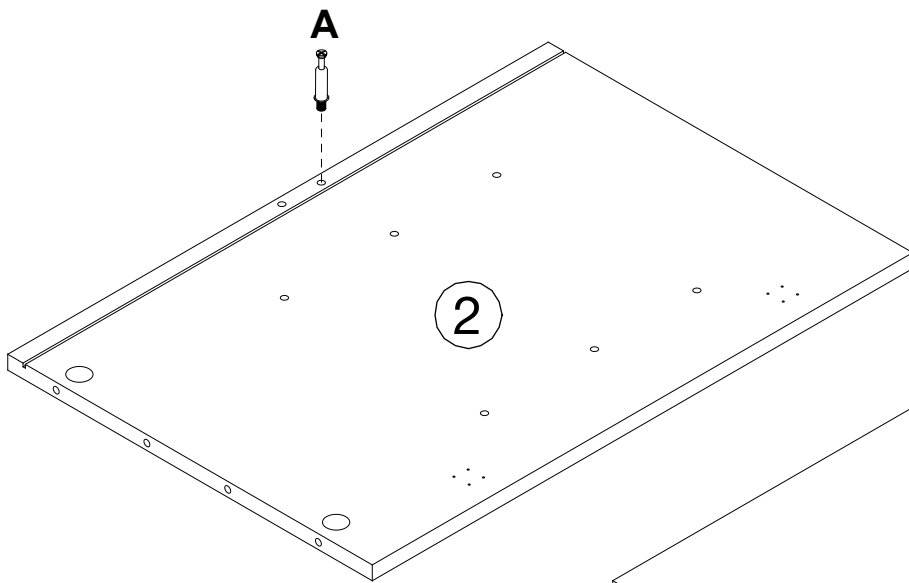
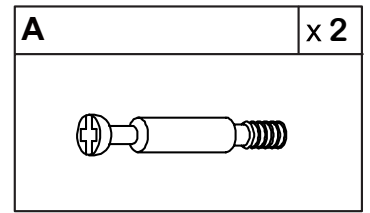
Noted :



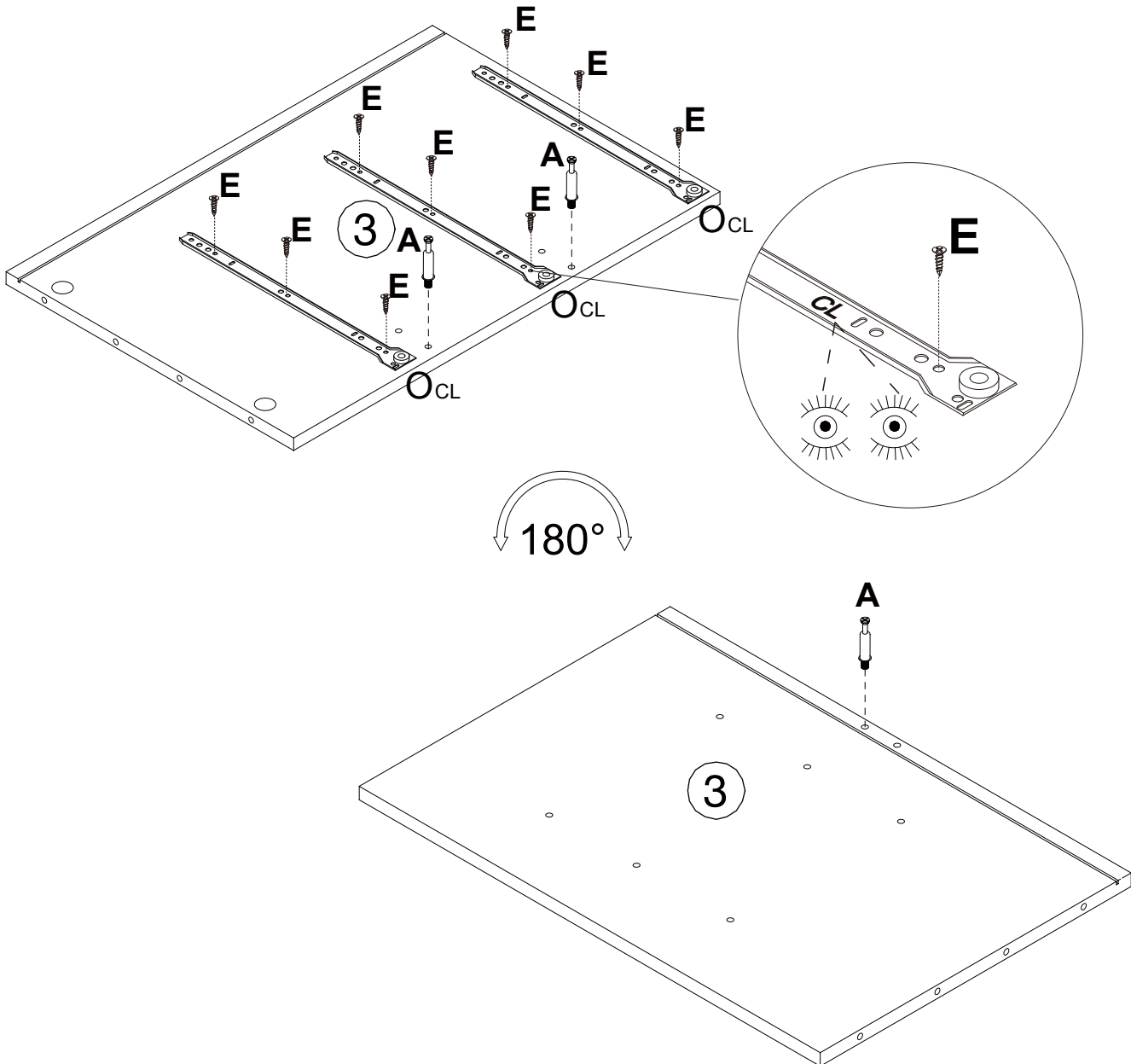
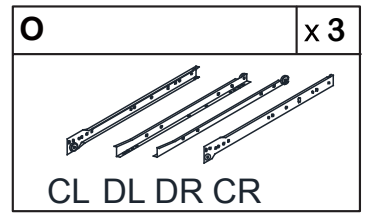
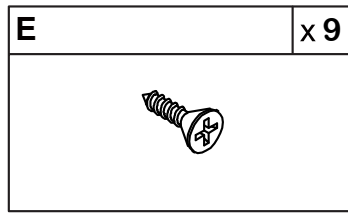
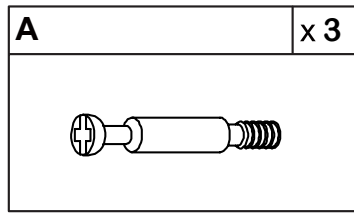
# Step 1



# Step 2

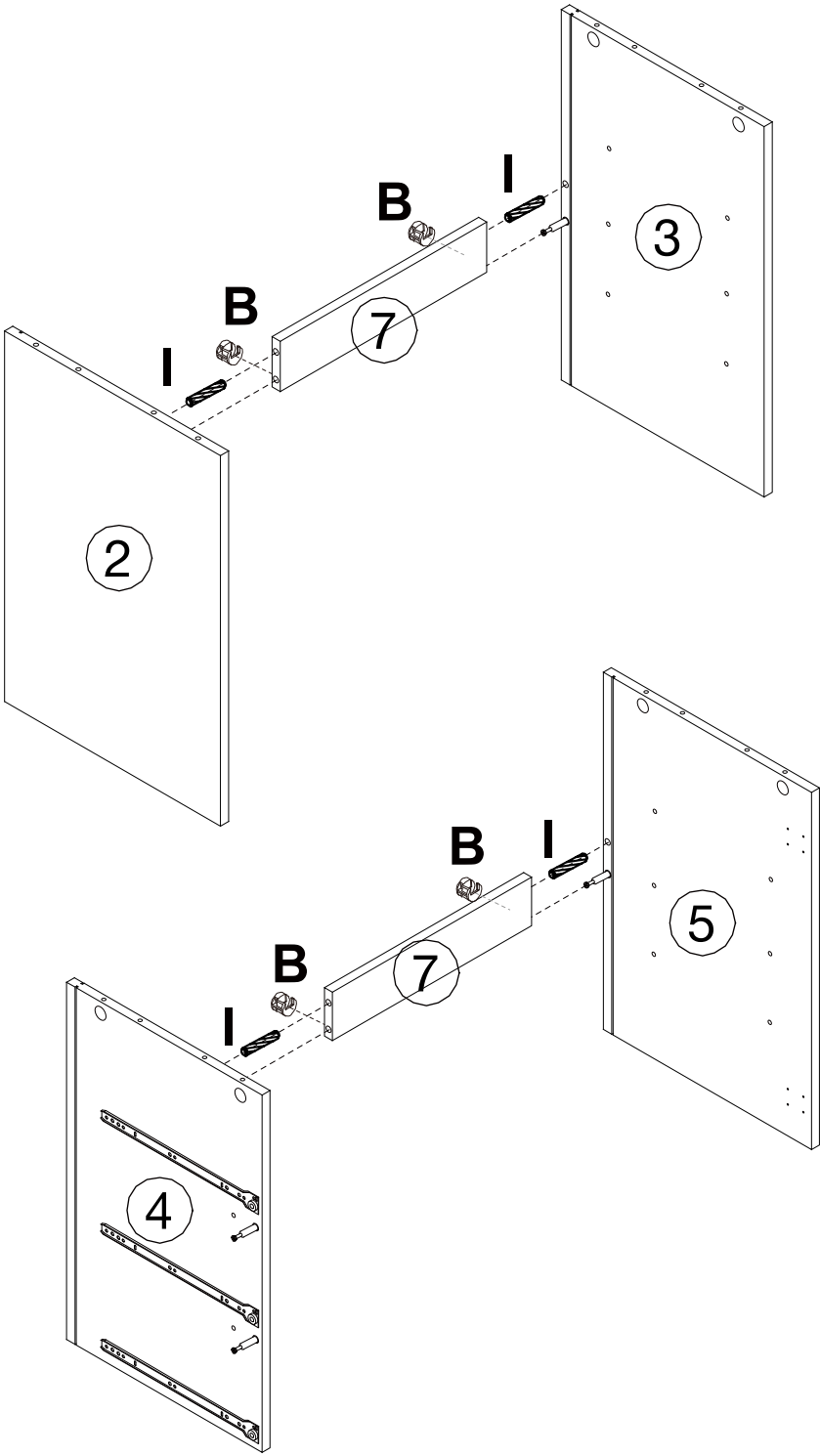
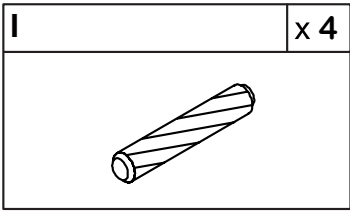
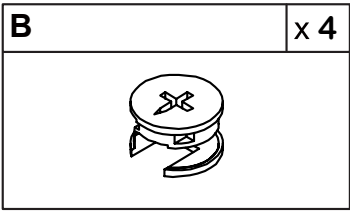


# Step 3

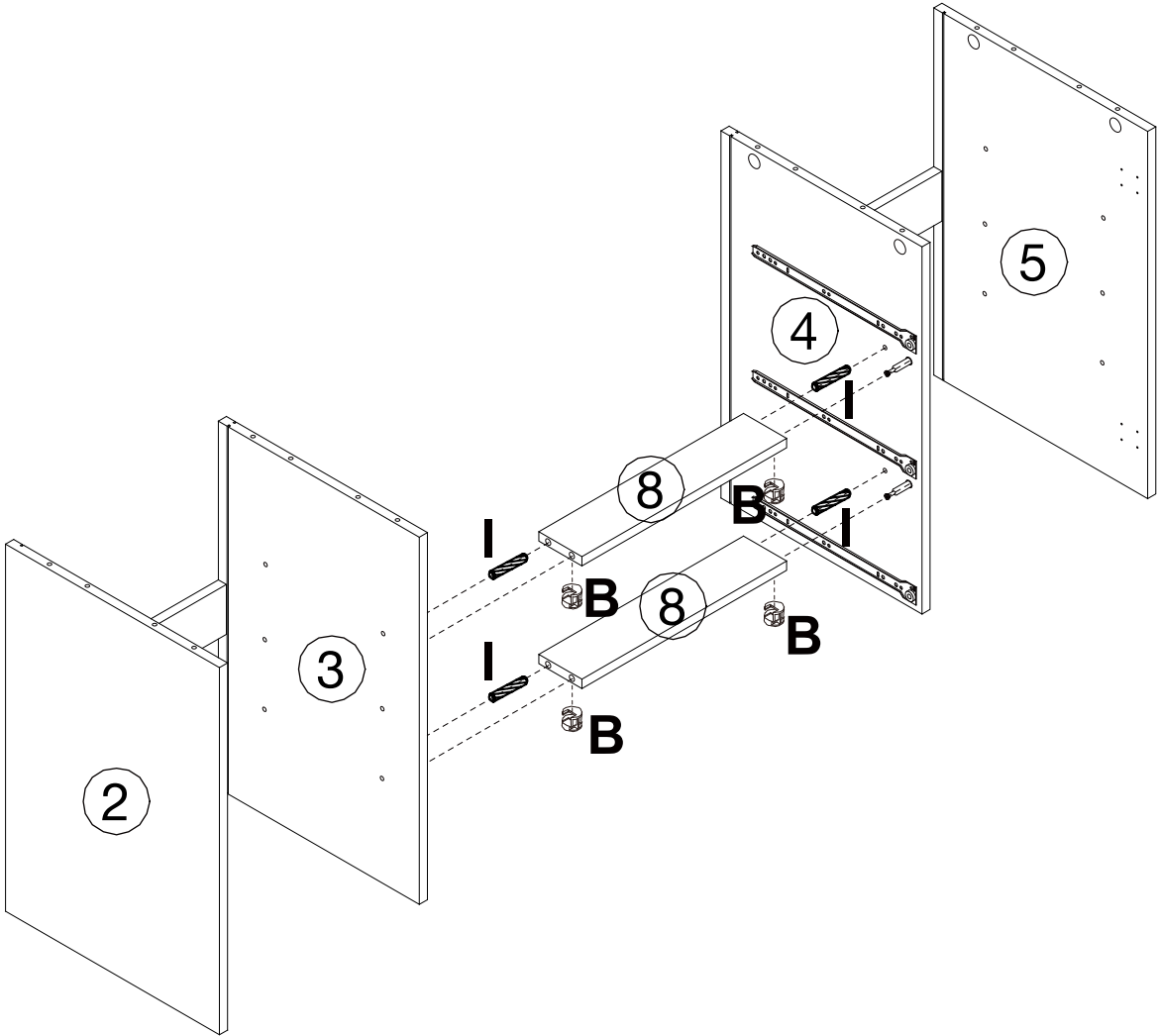
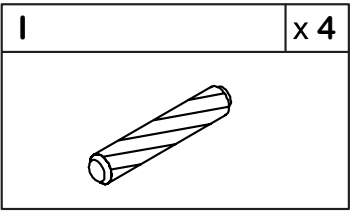
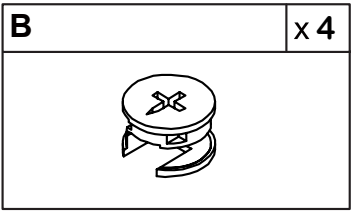




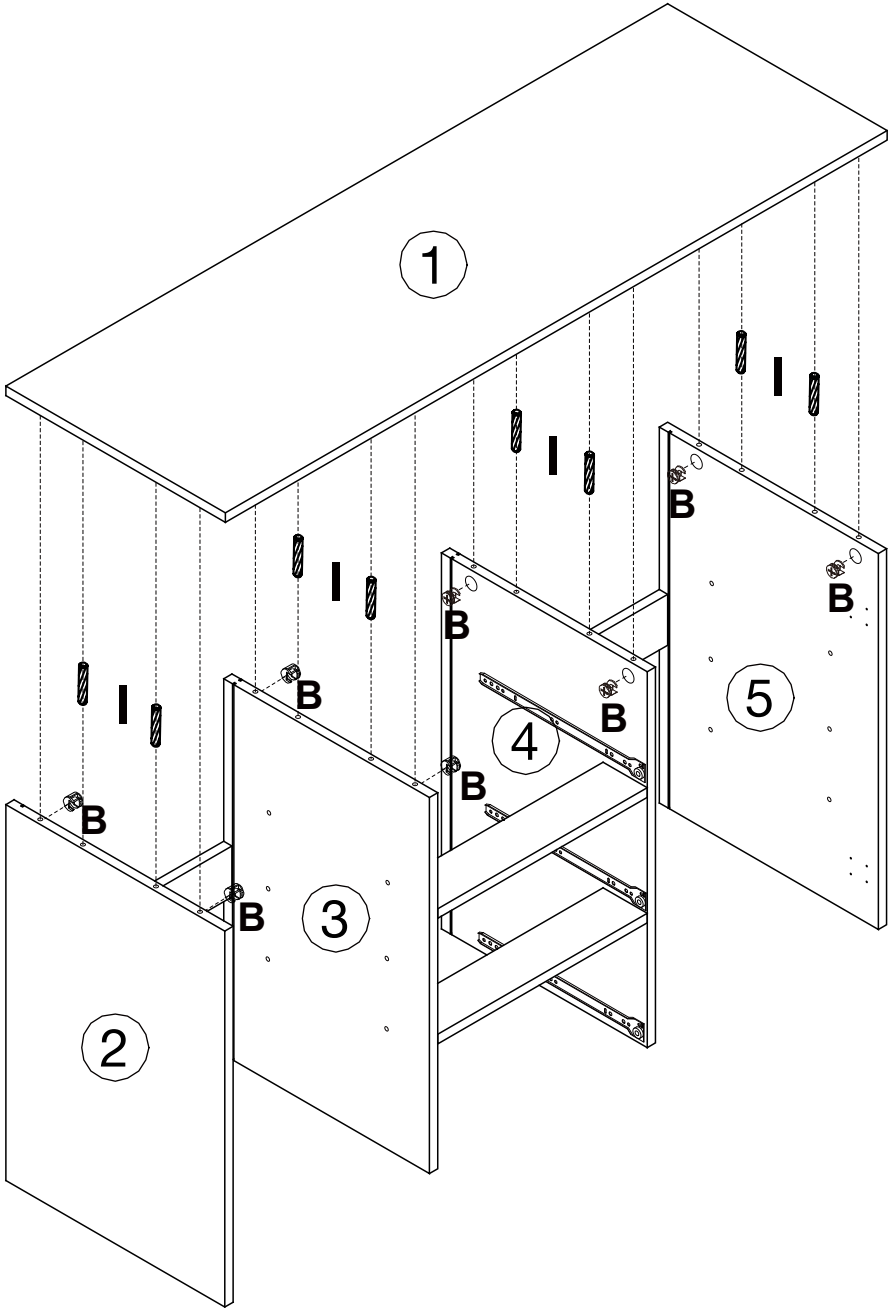
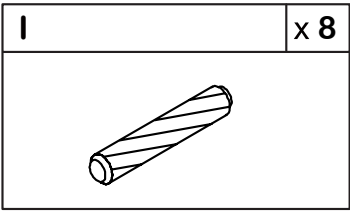
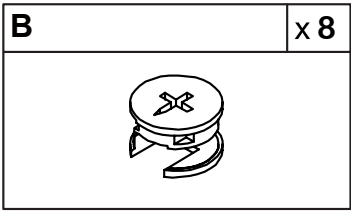
# Step 5



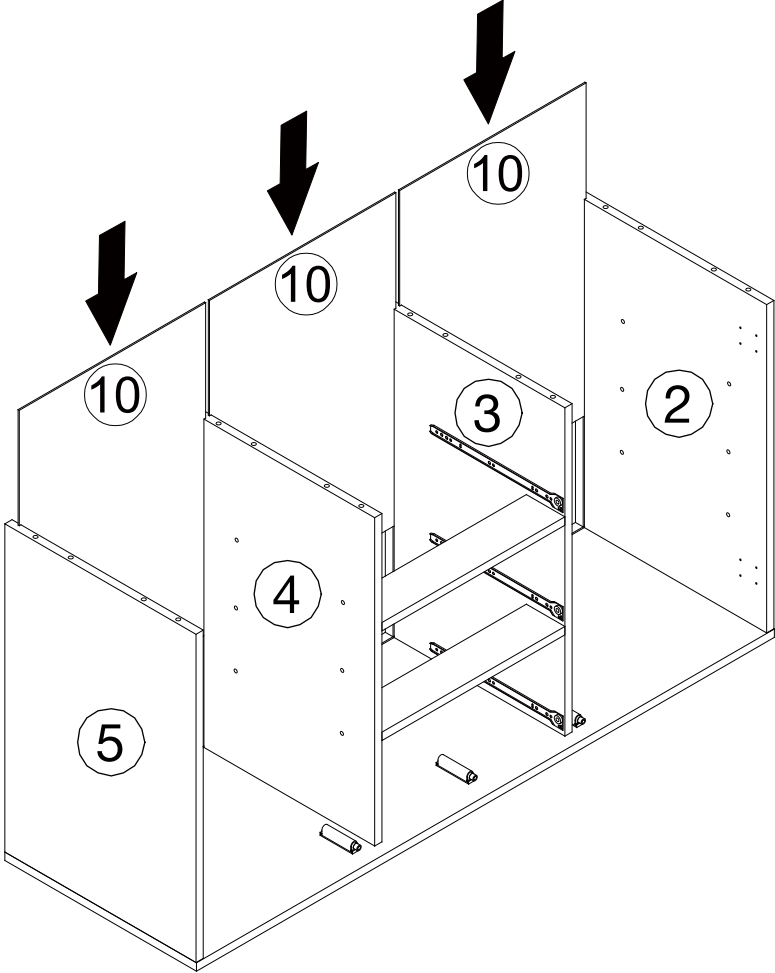
# Step 6



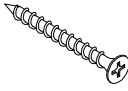
# Step 7

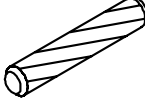


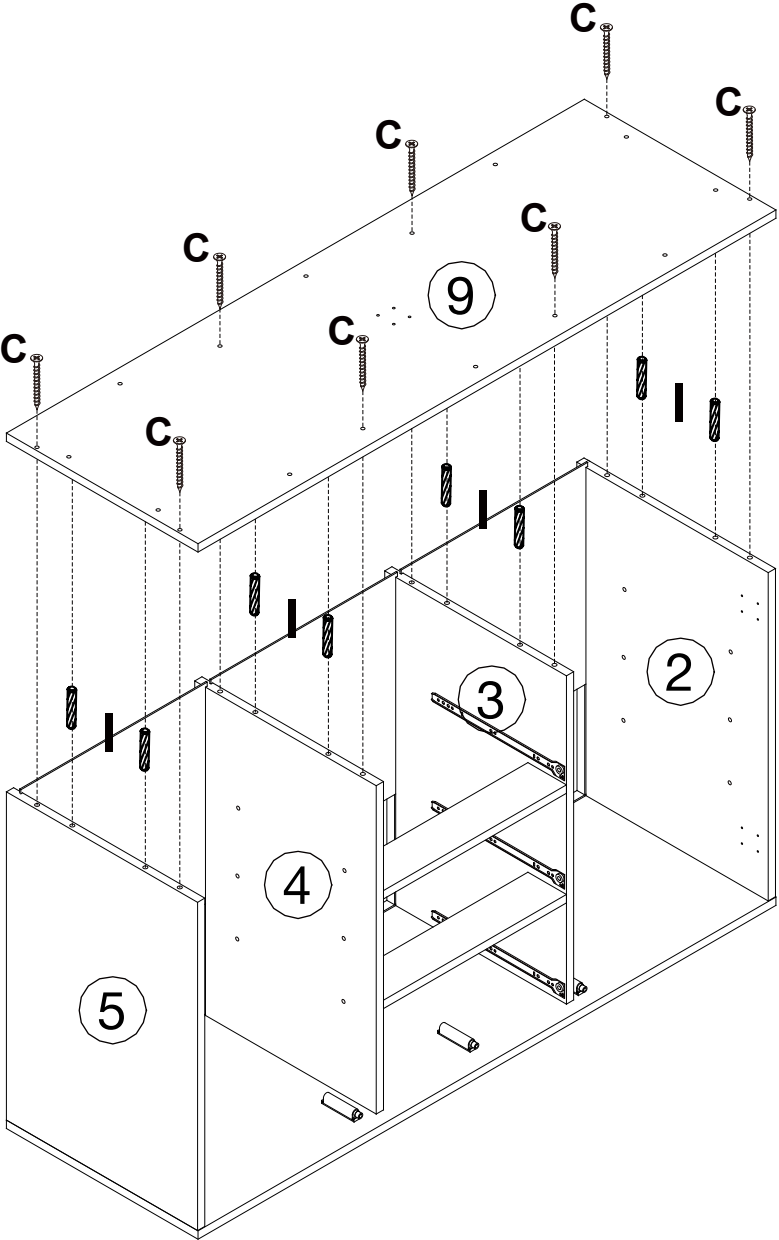
# Step 8



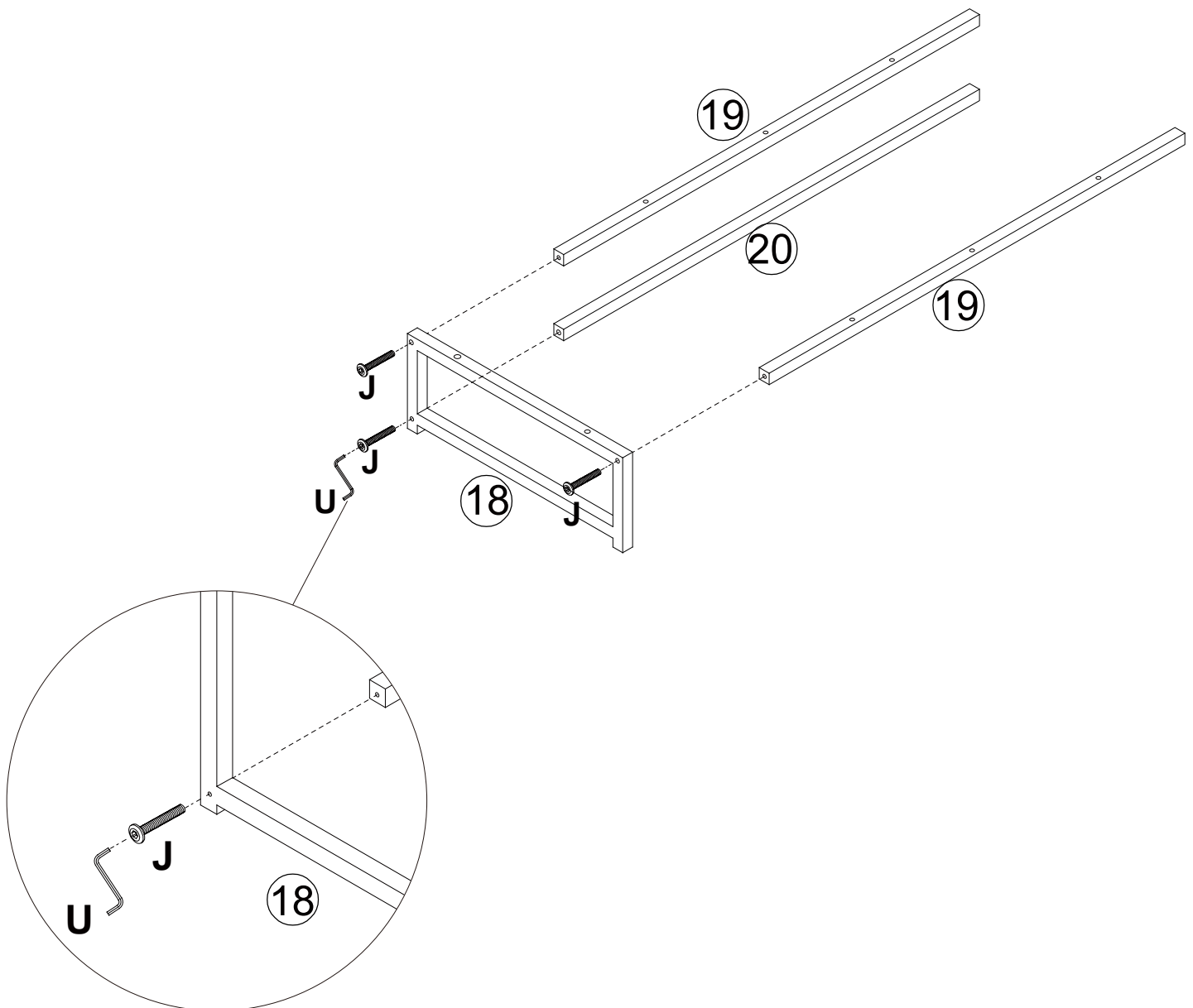
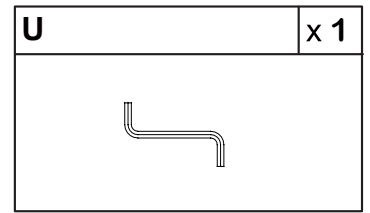
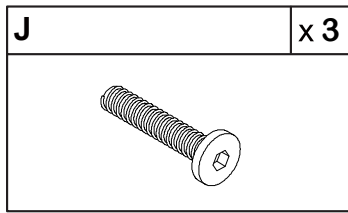
# Step 9

<b>C</b>	<b>x 8</b>
	

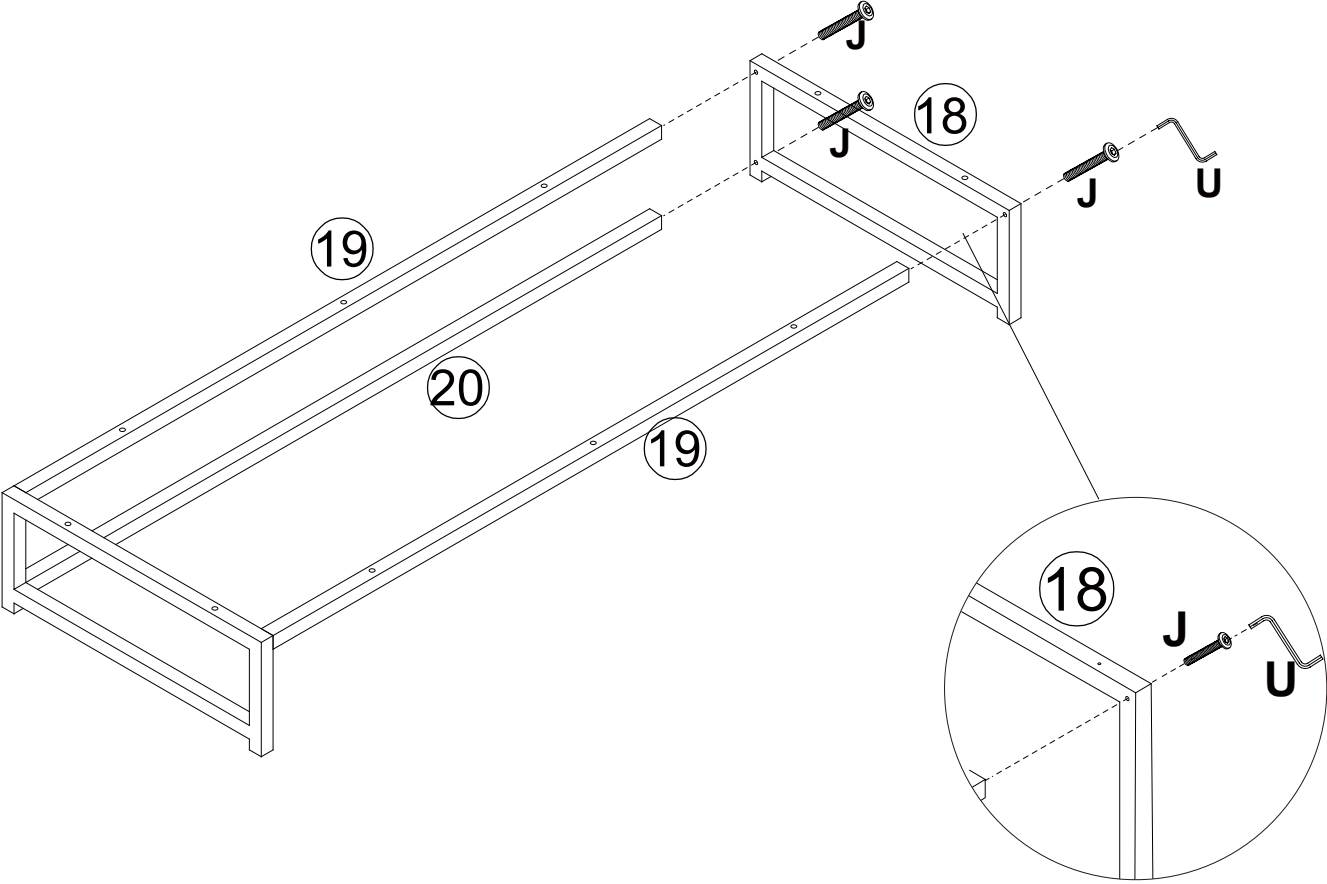
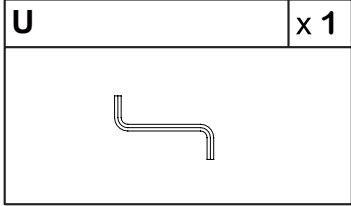
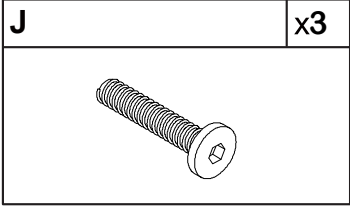
<b>I</b>	<b>x 8</b>
	



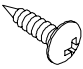
# Step 10

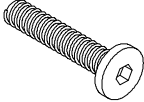



# Step 11

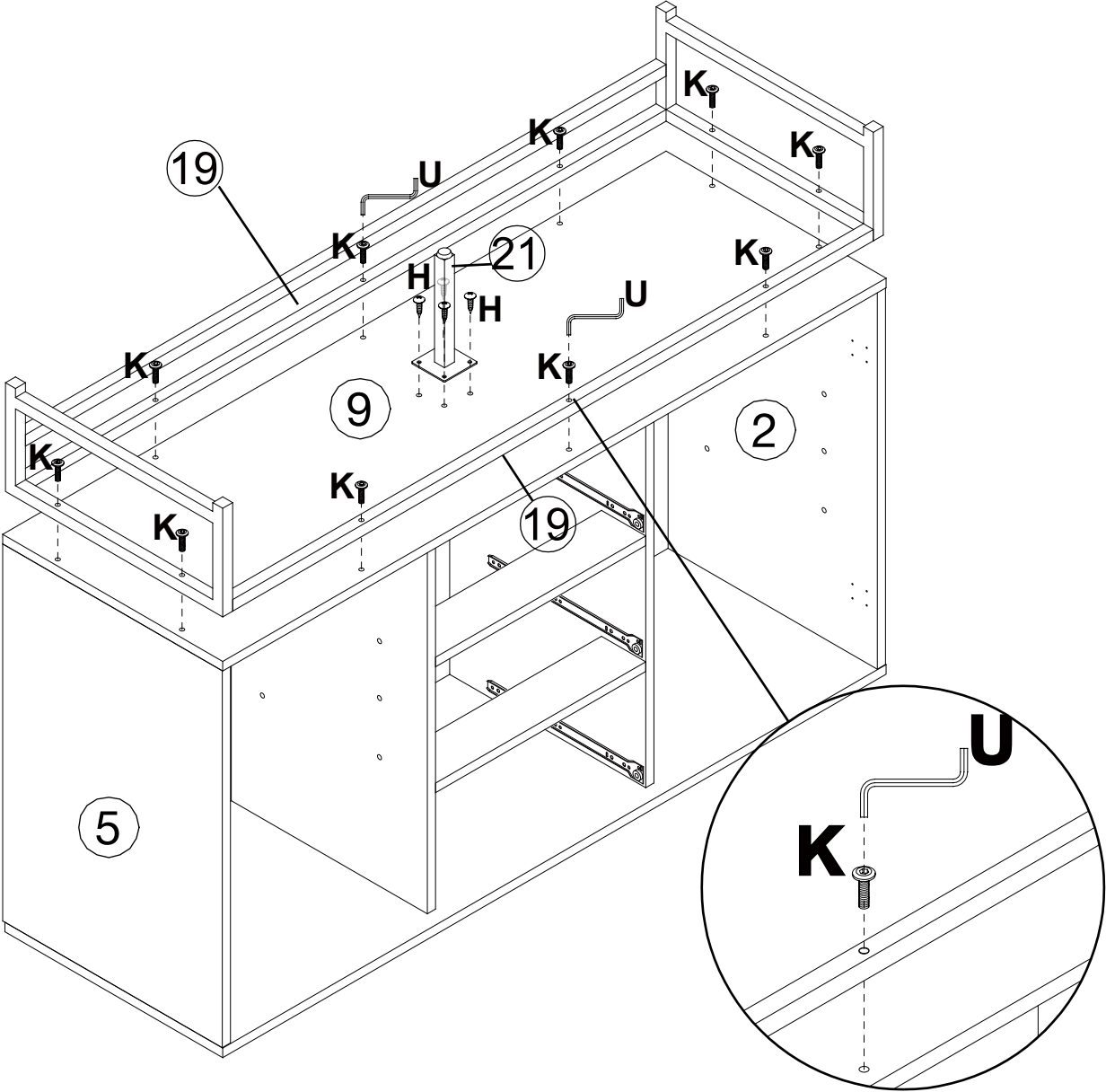


# Step 12


<b>H</b>	<b>x4</b>
	


<b>K</b>	<b>x10</b>
	

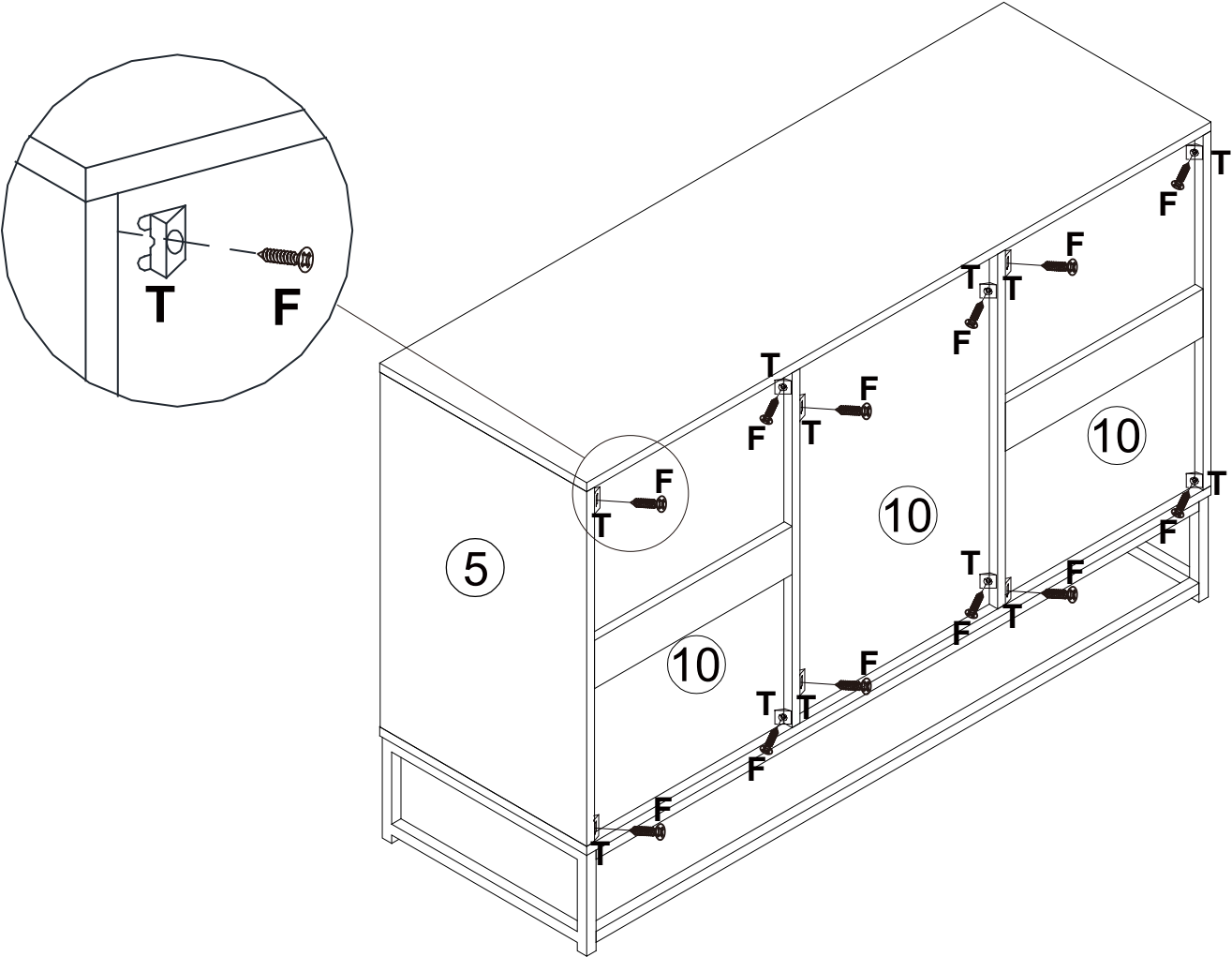
<b>U</b>	<b>x 1</b>
	




# Step 13


F	x12
	

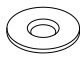
T	x12
	

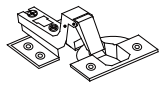


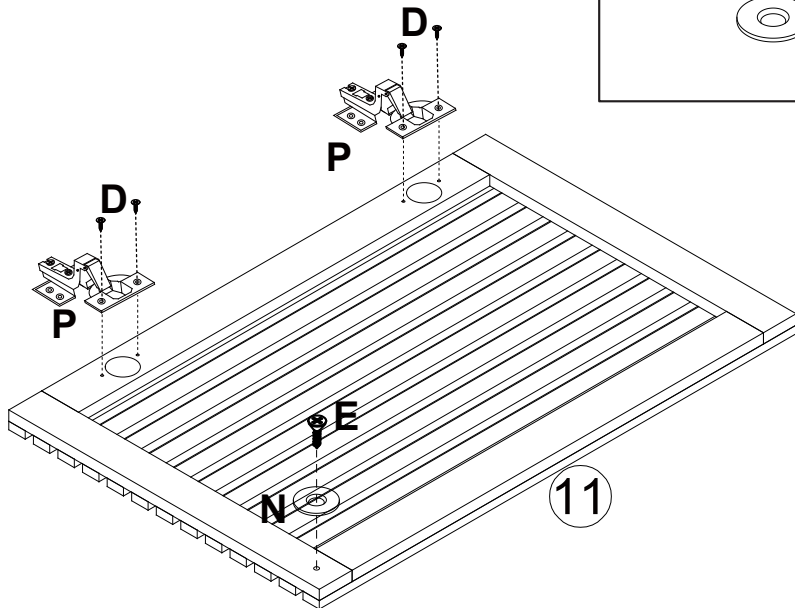
# Step 14

<b>D</b>	x8
	

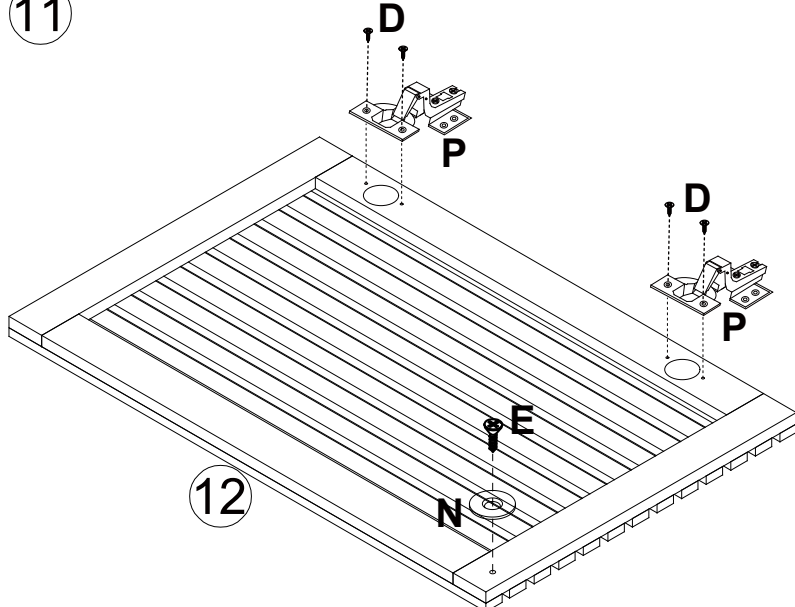
<b>E</b>	x2
	

<b>N</b>	x2
	

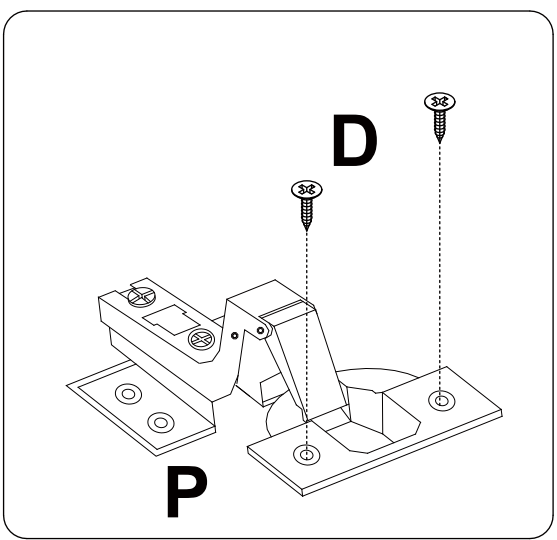
<b>P</b>	x4
	




11

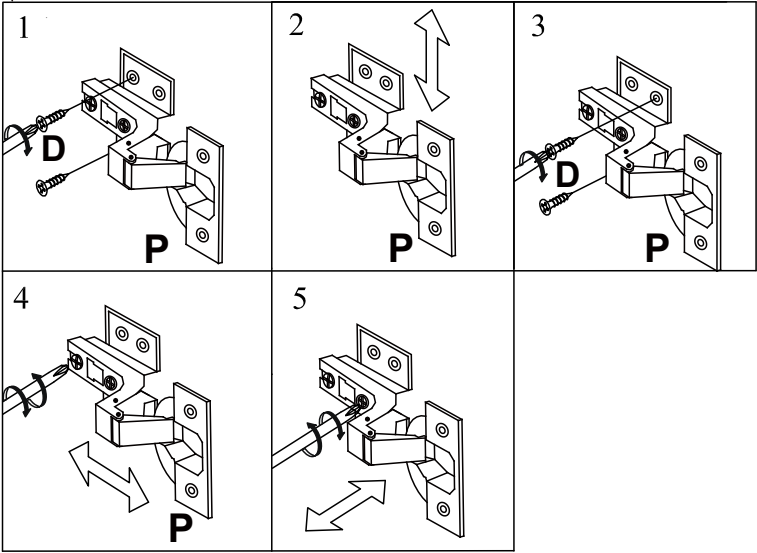
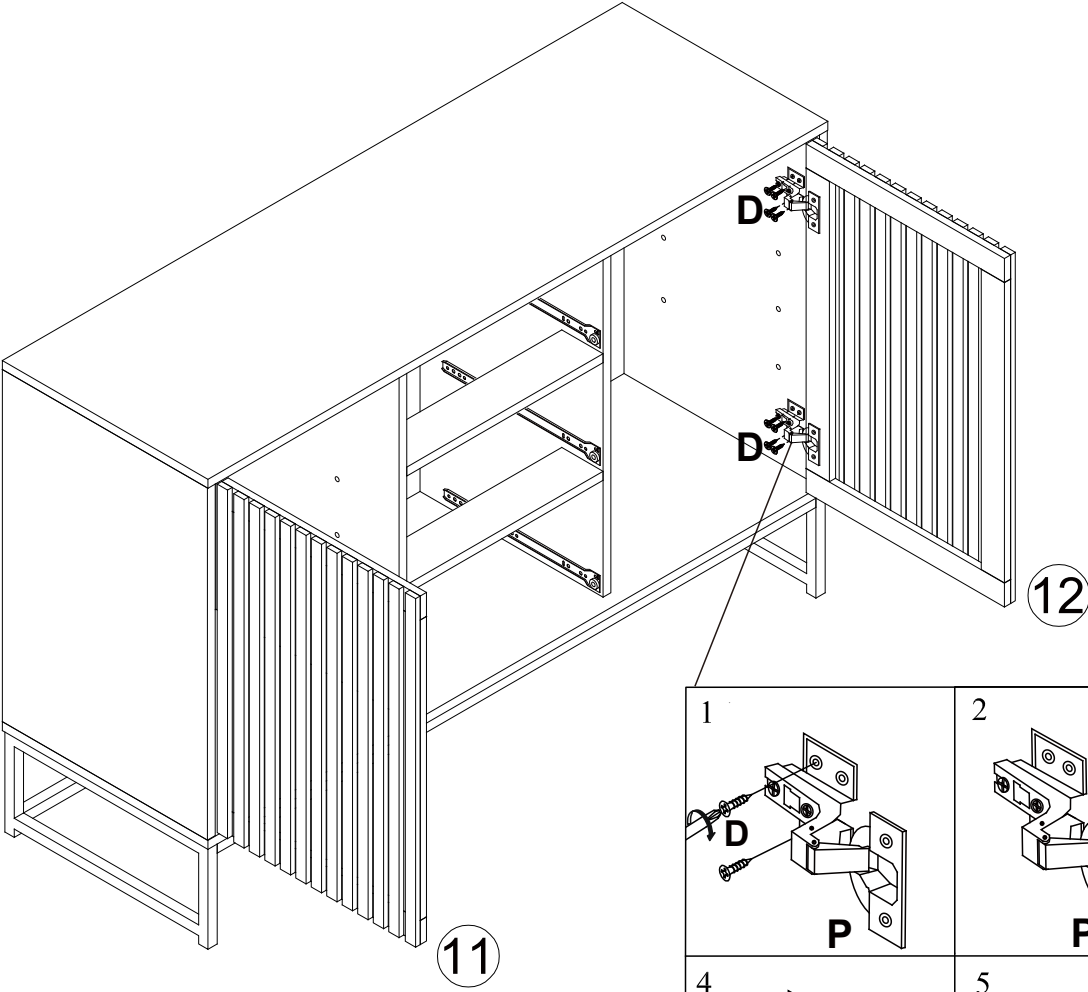


12

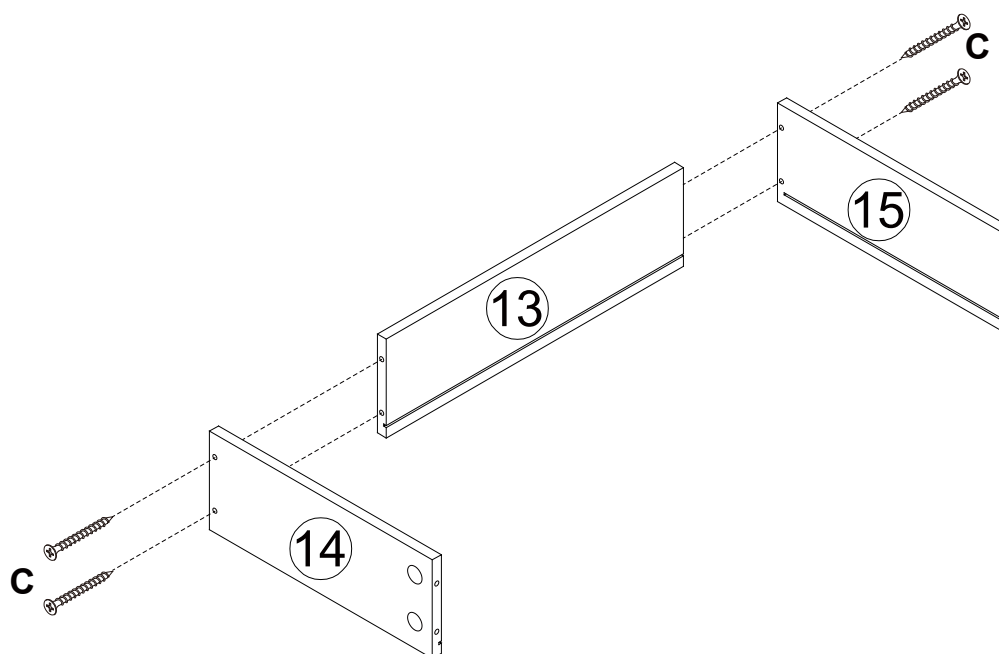
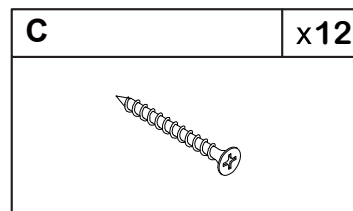


# Step 15

<b>D</b>	<b>x16</b>
	

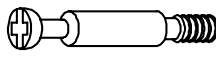





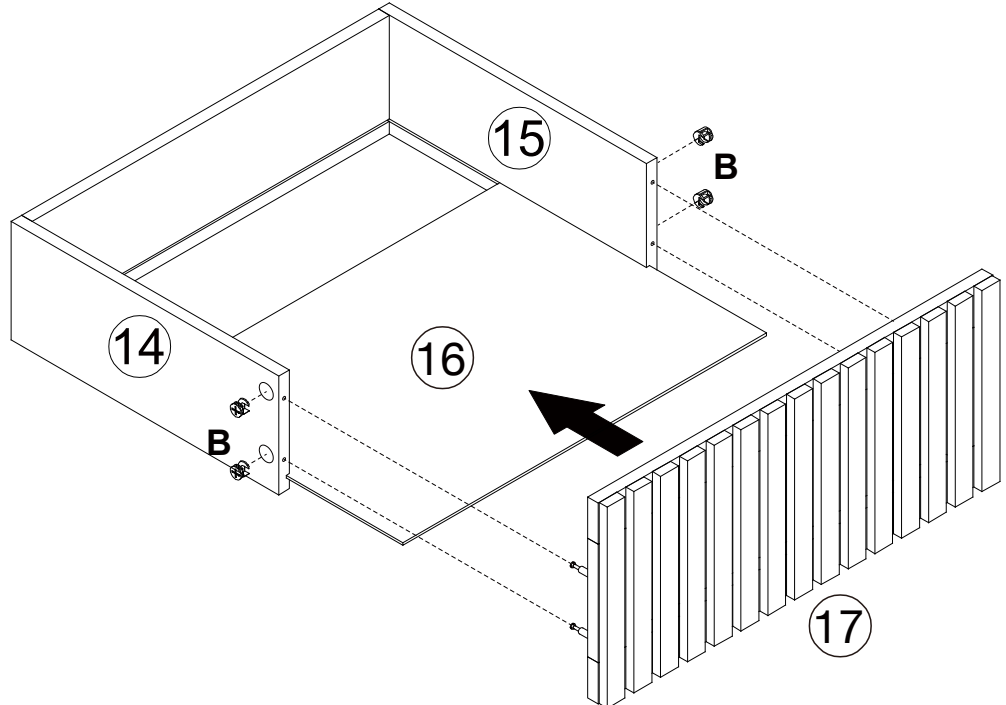
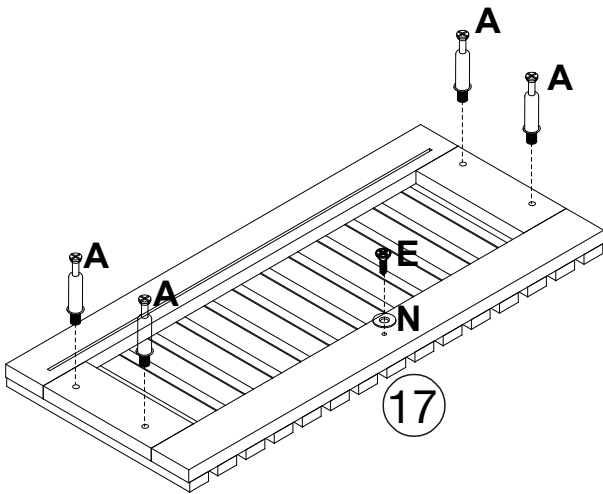
# Step 16



**x3**


# Step 17

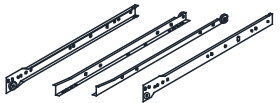
<b>A</b>	x12	<b>B</b>	x12
			
<b>E</b>	x 3	<b>N</b>	x 3
			

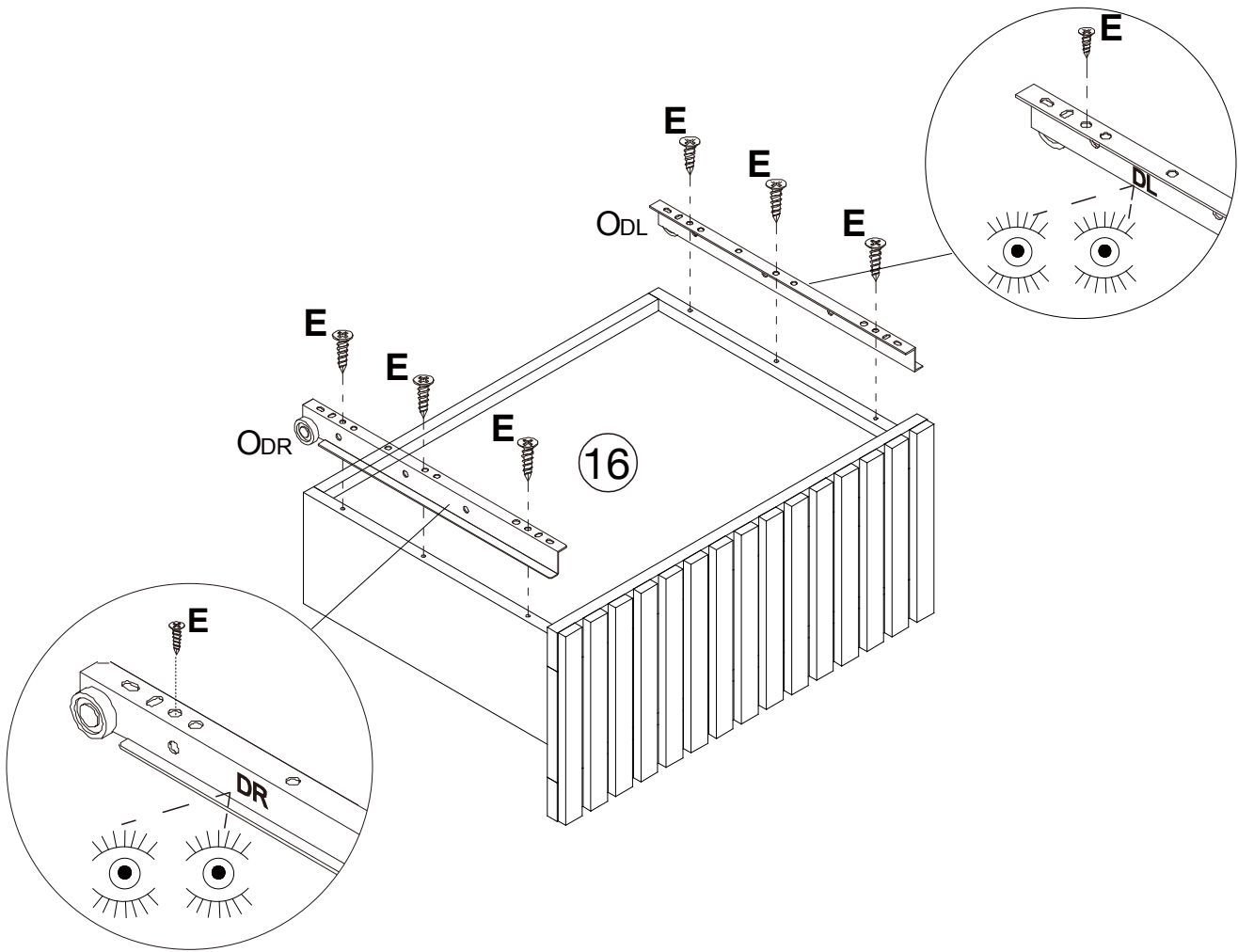


**x3**

# Step 18

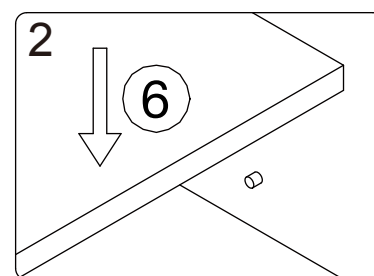
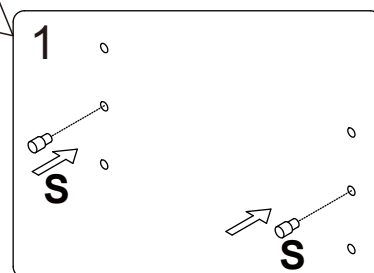
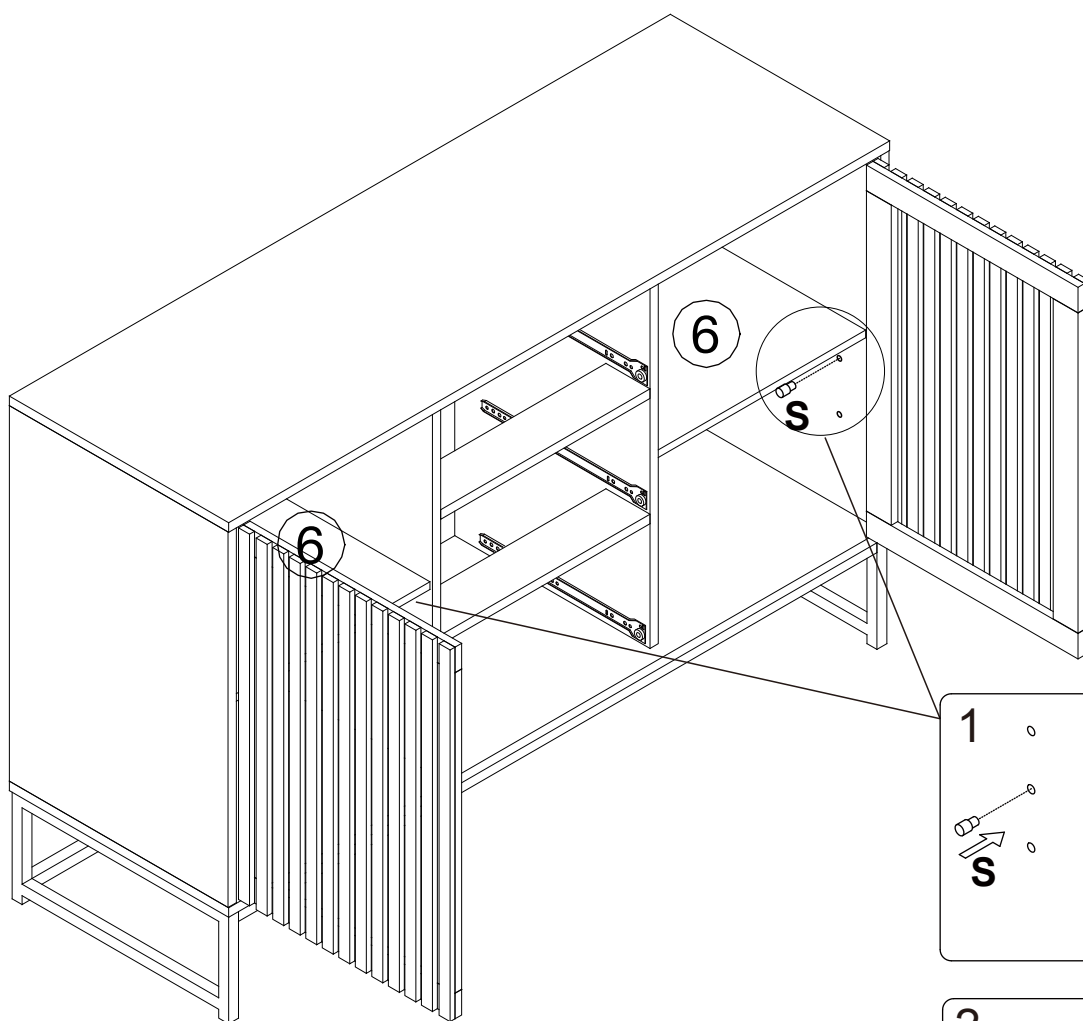
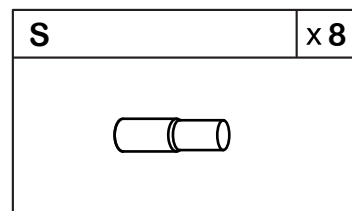
<b>E</b>	<b>x18</b>
	

<b>O</b>	<b>x 3</b>
	
CL DL DR CR	

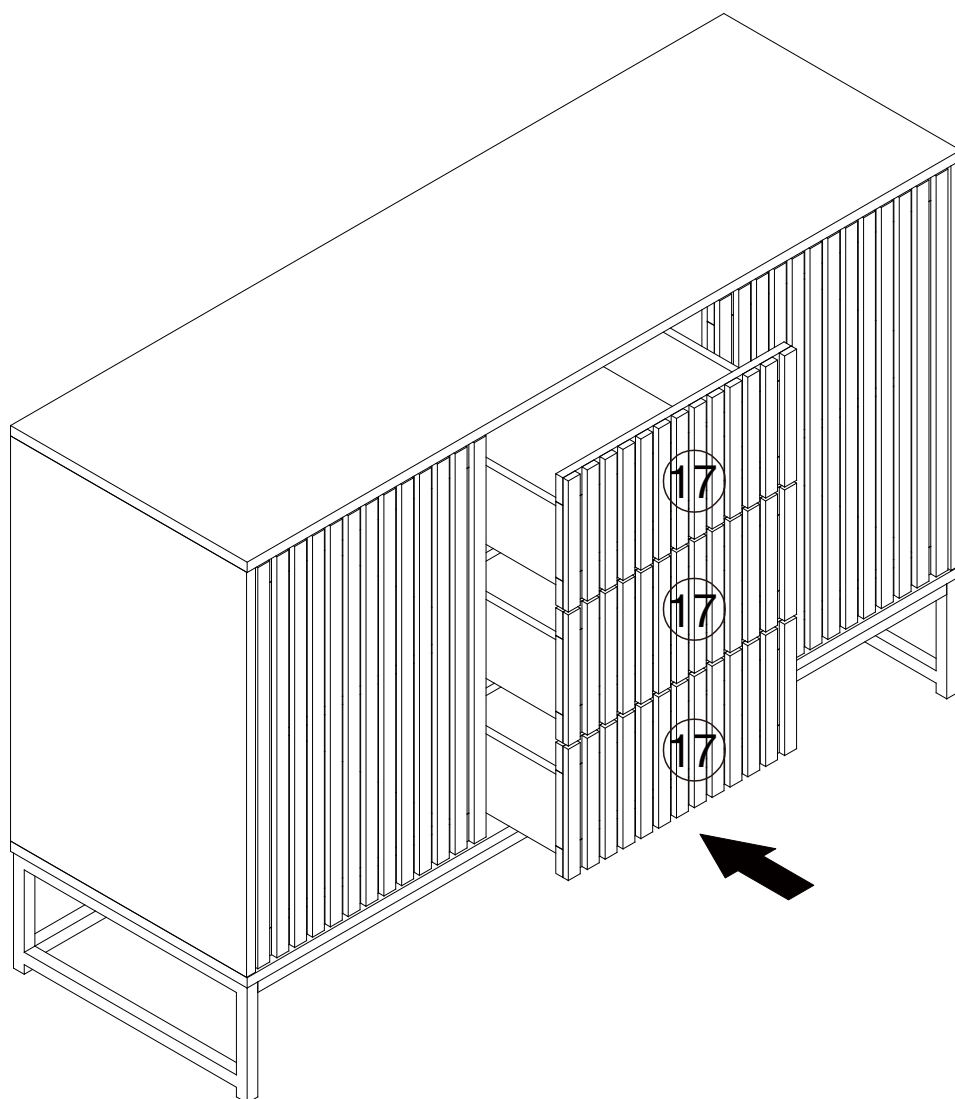


**x3**

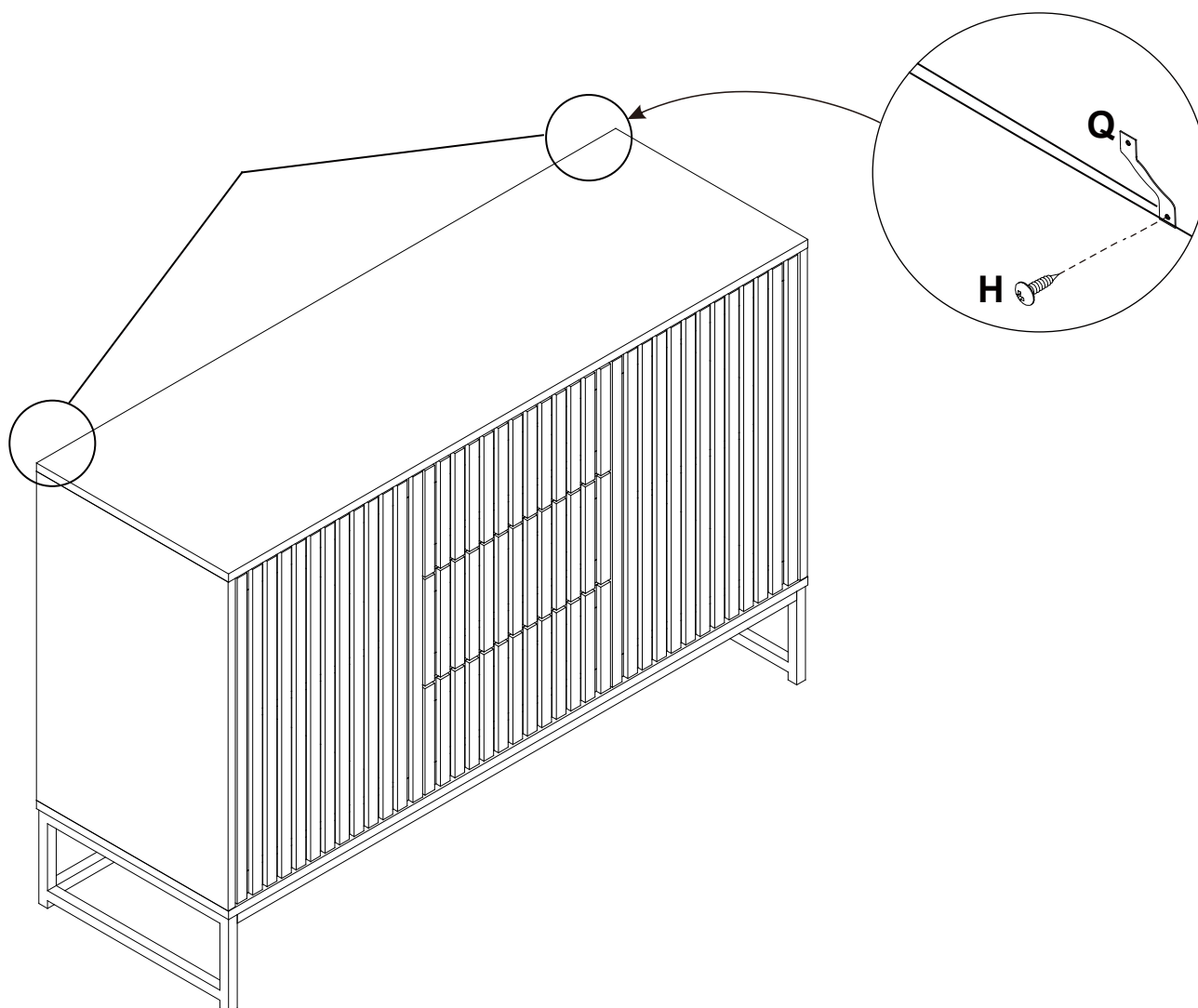
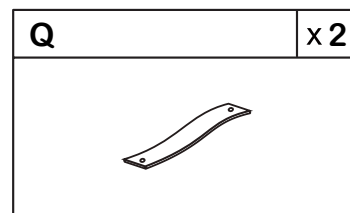
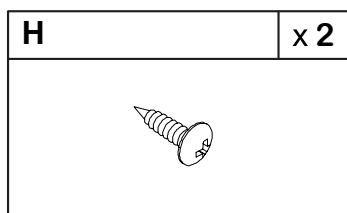
# Step 19



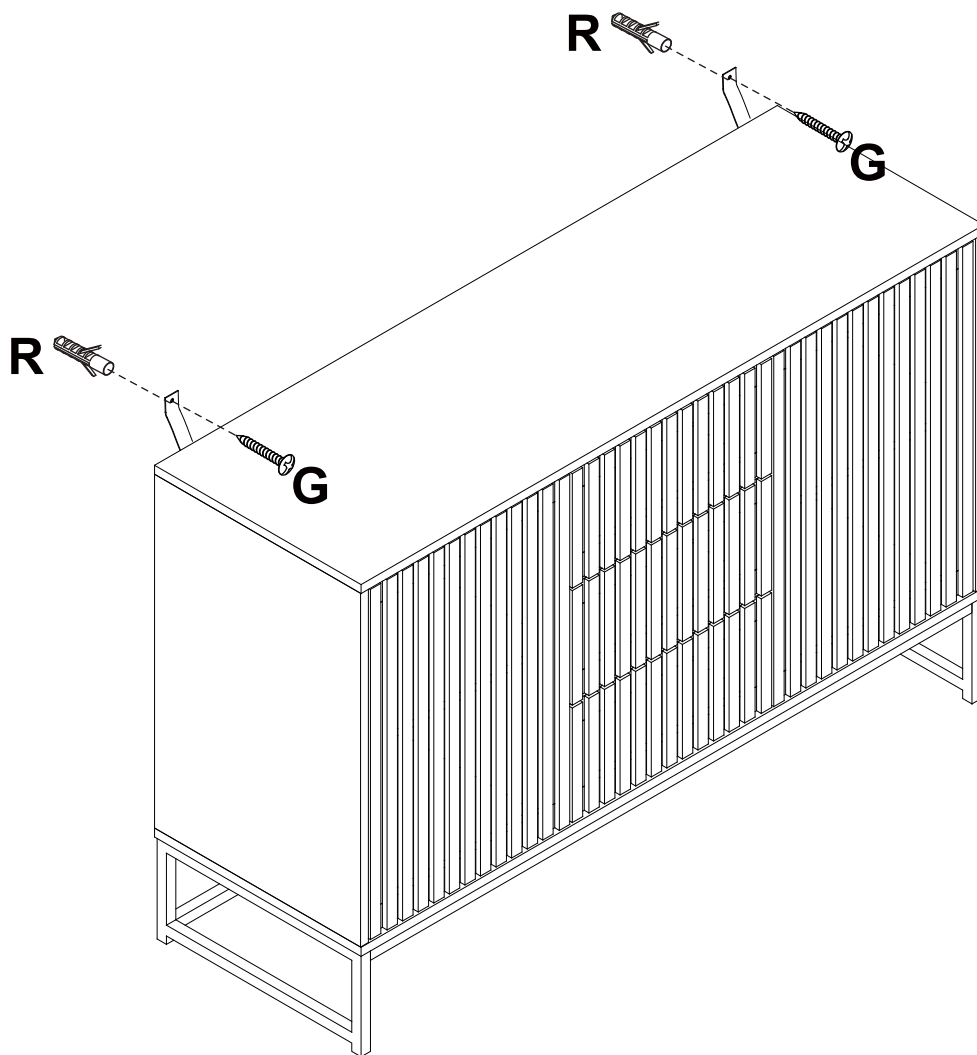
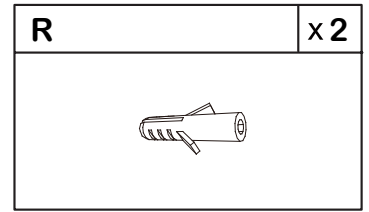
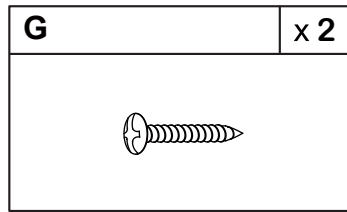
# Step 20



# Step 21



# Step 22



# Proper Use

- DO NOT** use for commercial purposes
- DO NOT** use as a step stool or stand on table
- DO NOT** put hot serving liquid directly on the table top
- DO NOT** leave spilled liquid on the table top
- DO NOT** use table if damaged
- DO NOT** exceed weight limit
- DO NOT** make temporary repairs
- DO NOT** use outdoor

Dear Customer:

Thank you for purchasing our product, we wish you satisfy our service, if you have any further questions or any quality issues, please show the belows number and don't hesitate to contact our Customer Service People :

**W688202309**