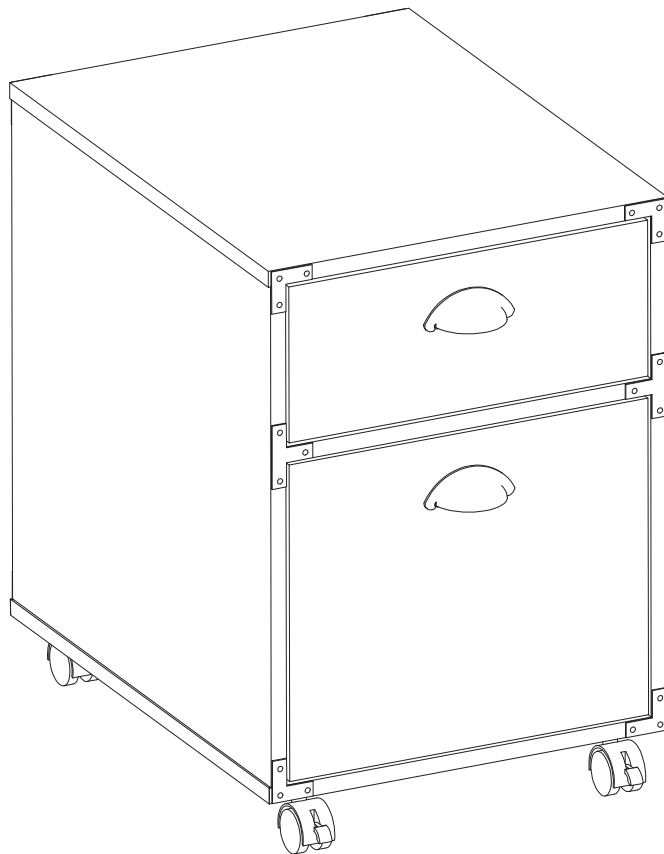


ASSEMBLY INSTRUCTIONS

Important Safety Instructions :

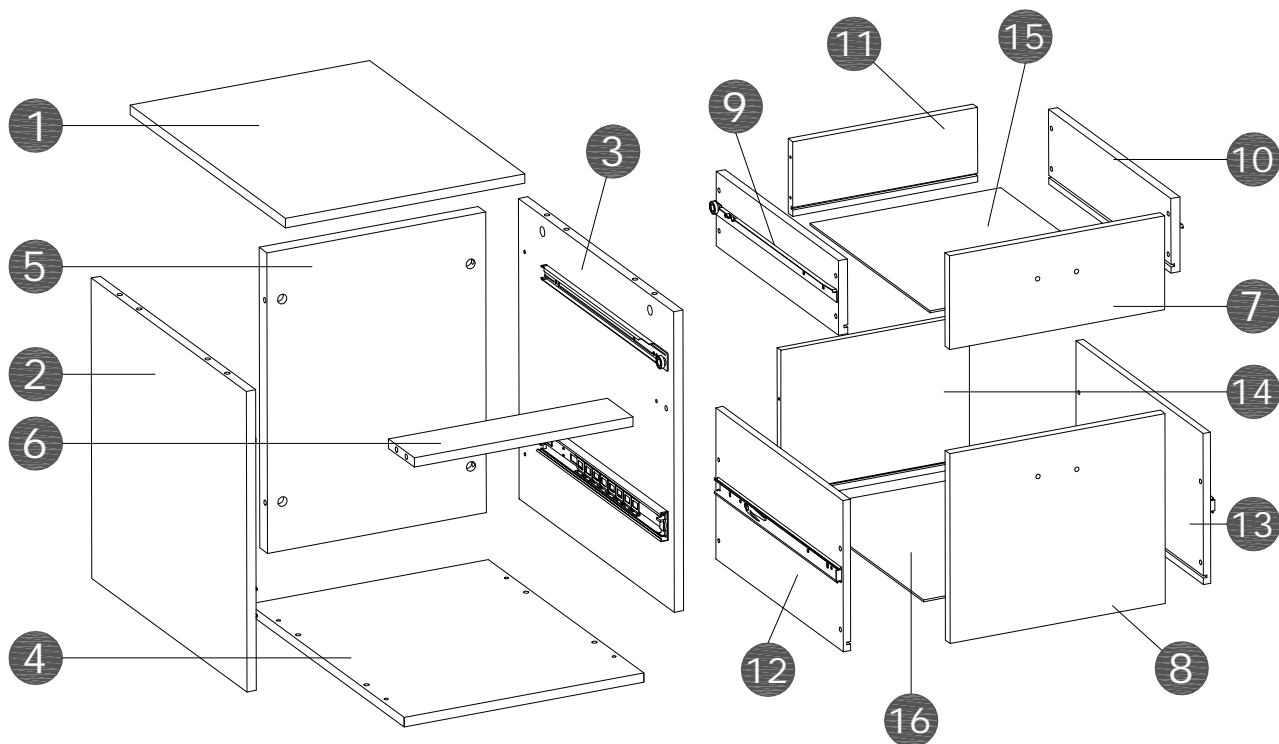
- Please read all instructions before beginning assembly
- Please make sure receive all the parcels to start
- For your safety and convenience, assembly by two people is recommended
- Use the parts and hardware lists to identify and separate each of the components included
- Save all packing materials until assembly is completed to avoid the accidental discarding of smaller parts or hardware



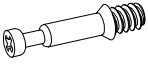


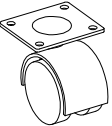


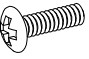
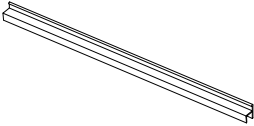
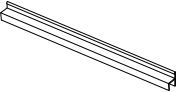
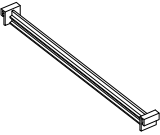
THANK YOU FOR PURCHASING

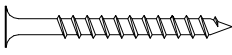
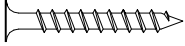
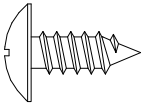
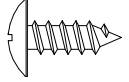

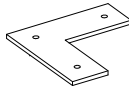
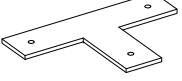
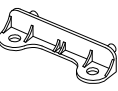
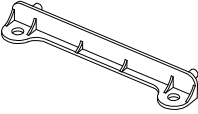
PARTS LIST

- | | | | | |
|------|------|------|------|------|
| ① X1 | ② X1 | ③ X1 | ④ X1 | ⑤ X1 |
| ⑥ X1 | ⑦ X1 | ⑧ X1 | ⑨ X1 | ⑩ X1 |
| ⑪ X1 | ⑫ X1 | ⑬ X1 | ⑭ X1 | ⑮ X1 |
| ⑯ X1 | | | | |



HARDWARE LIST

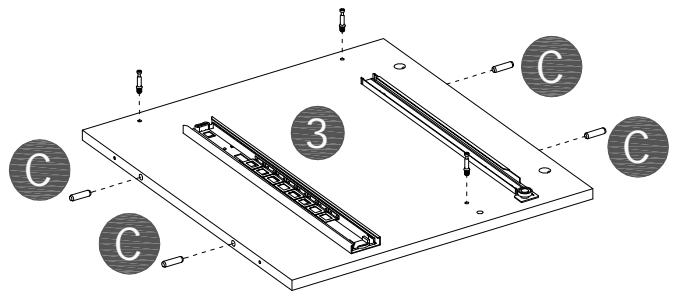
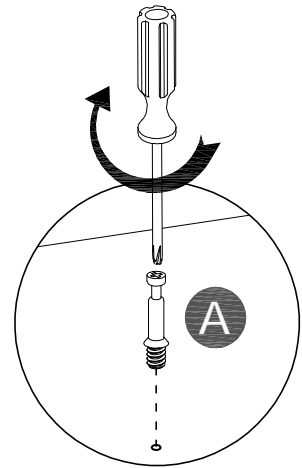
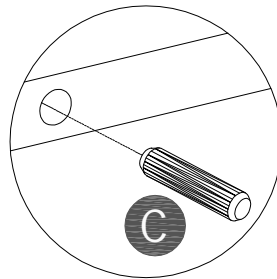
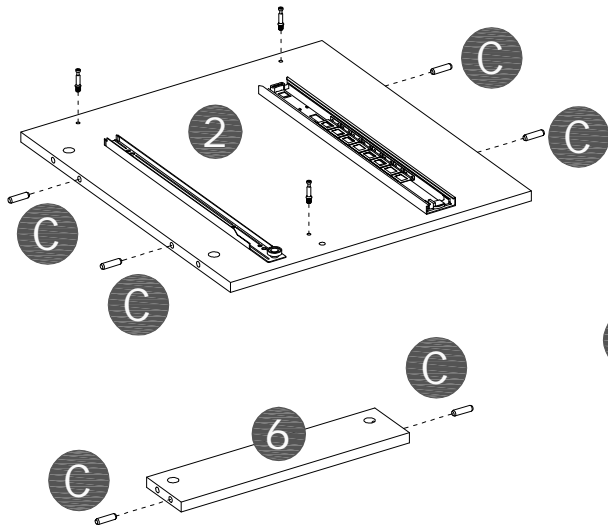
Name	Part	Qty.	Spare
A		10	1
B		10	1
C		10	1
D		2	
E		2	
F		2	
G		4	
H		2	
I		1	
J		1	

Name	Part	Qty.	Spare
K		4	
L		8	
M	 9/16" Screw	8	
N	 1/2" Screw	24	1
O		30	2
P		8	
Q		2	
R		2	
S		2	

STEP 1

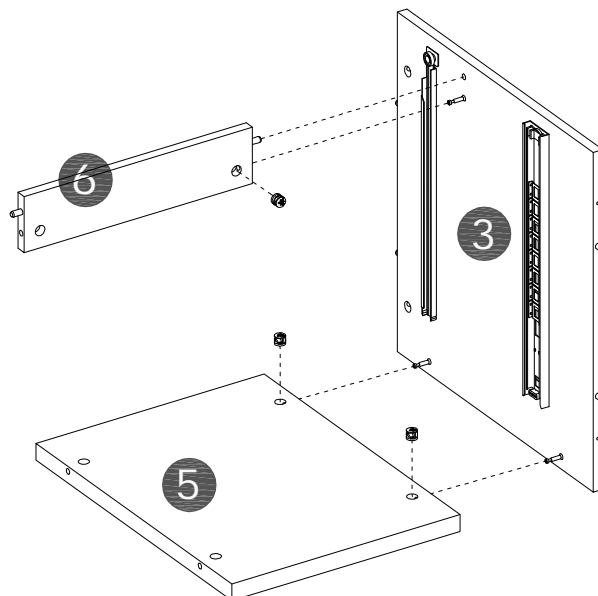
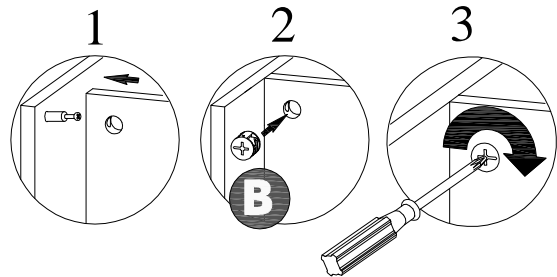
C x10pcs 

A x6pcs 



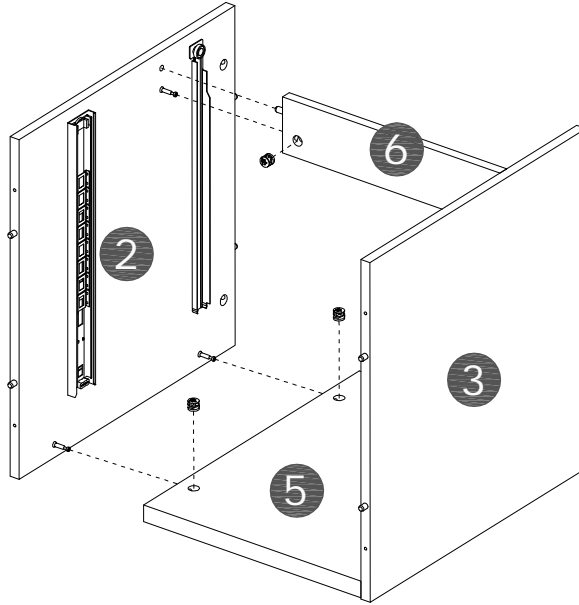
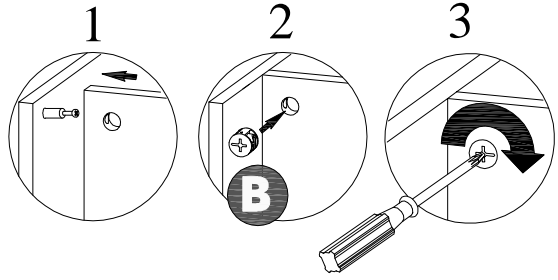
STEP 2

B x3pcs 



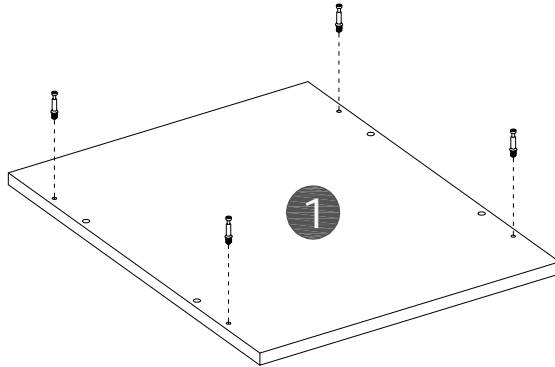
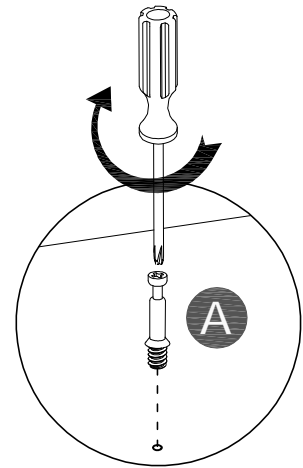
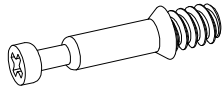
STEP 3

B x3pcs



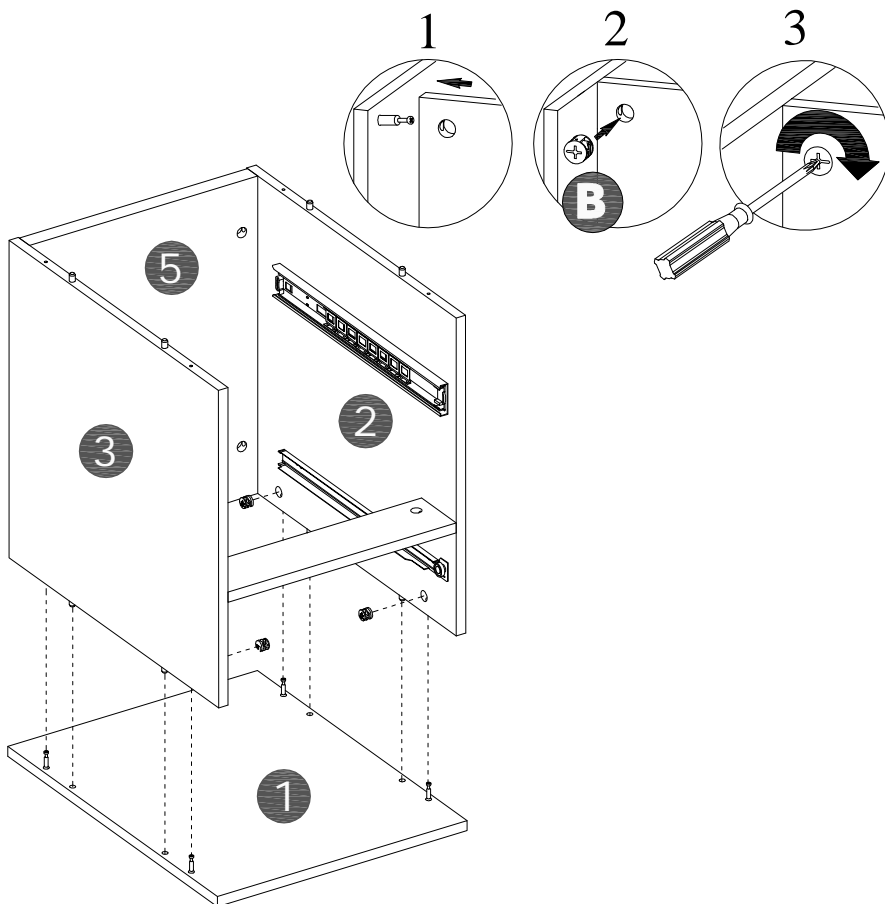
STEP 4

A x4pcs



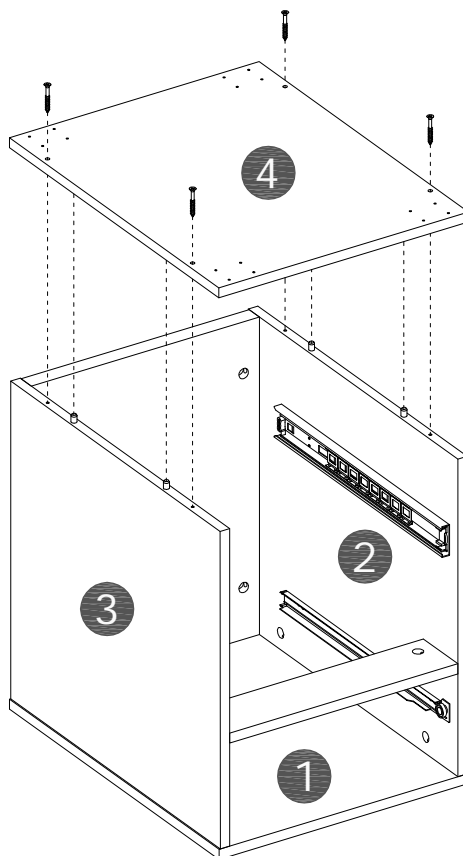
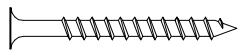
STEP 5

B x4pcs



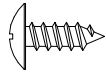
STEP 6

K x4pcs

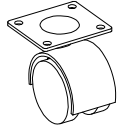


STEP 7

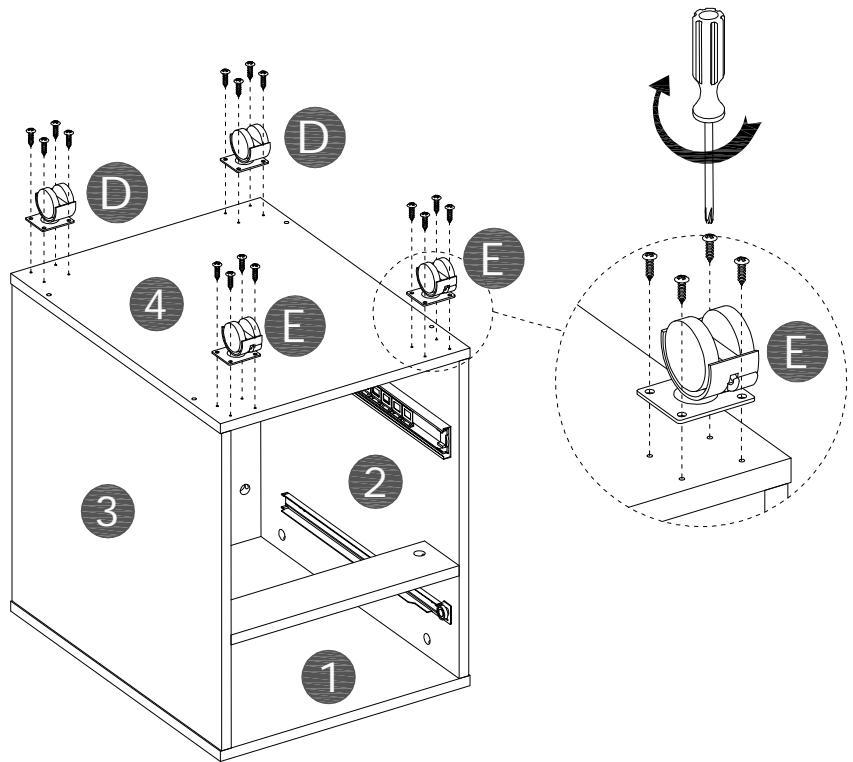
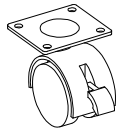
N x16pcs



D x2pcs

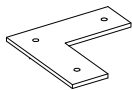


E x2pcs

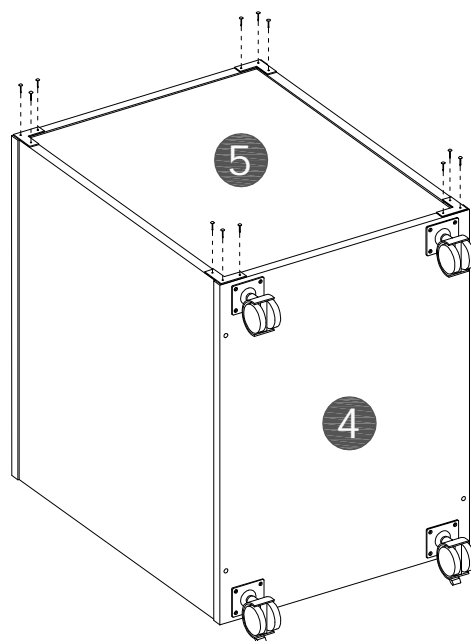


STEP 8

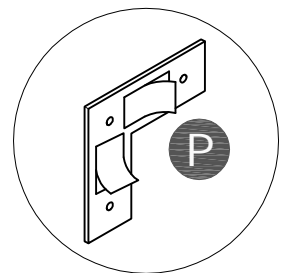
P x4pcs



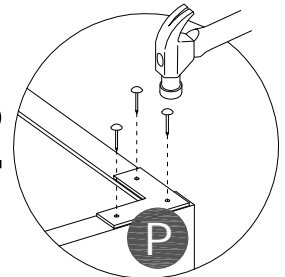
O x12pcs



1



2

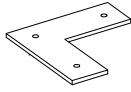


Peel off the adhesive sticker's protective paper and bond it onto the designated position before decure it with nails.

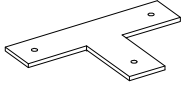
STEP 9

Peel off the adhesive sticker's protective paper and bond it onto the designated position before secure with nails.

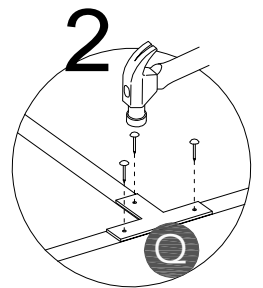
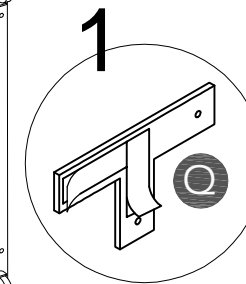
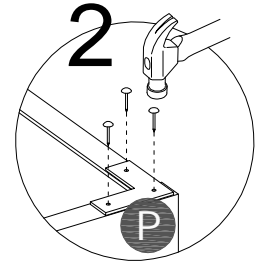
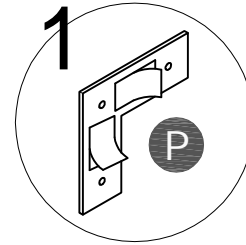
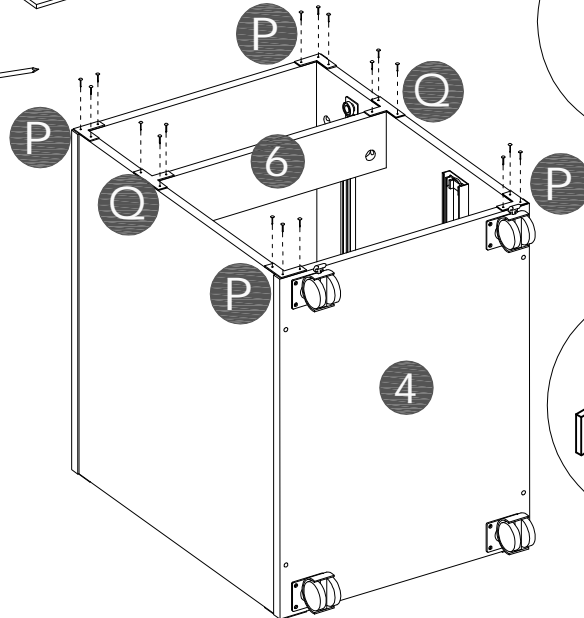
P x4pcs



Q x2pcs

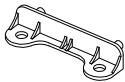


O x18pcs

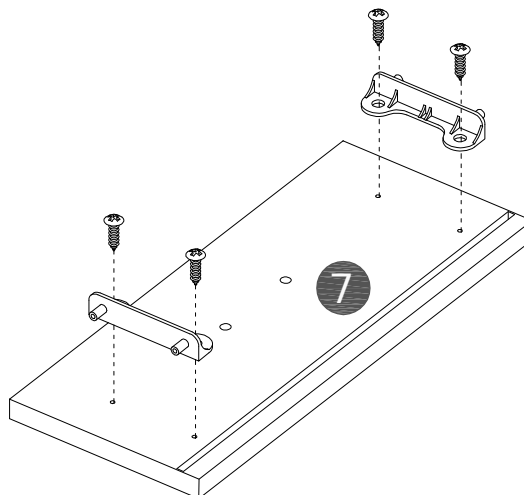
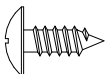


STEP 10

R x2pcs

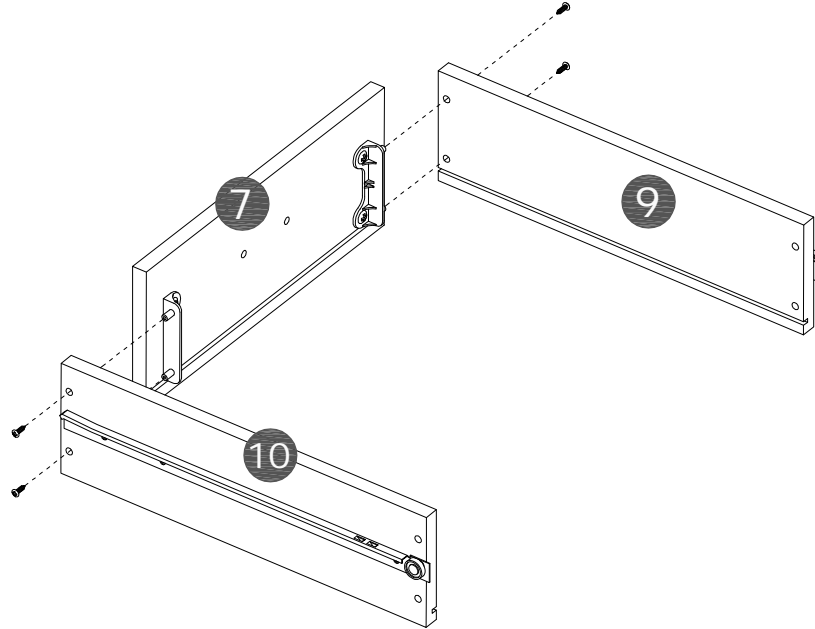
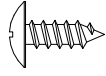


M x4pcs

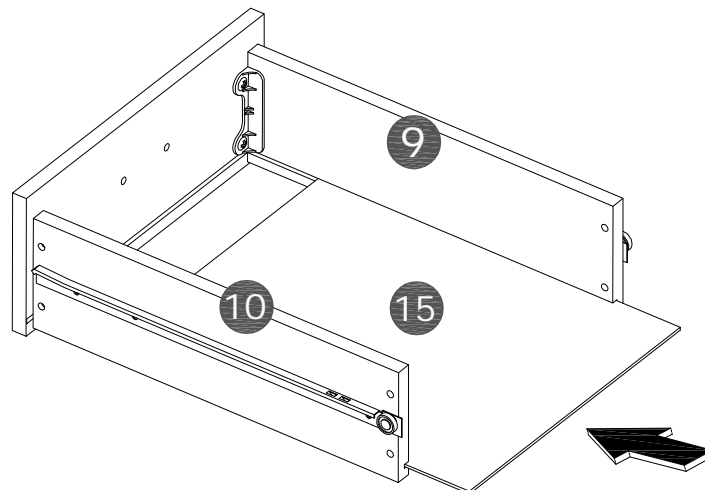


STEP 11

N x4pcs

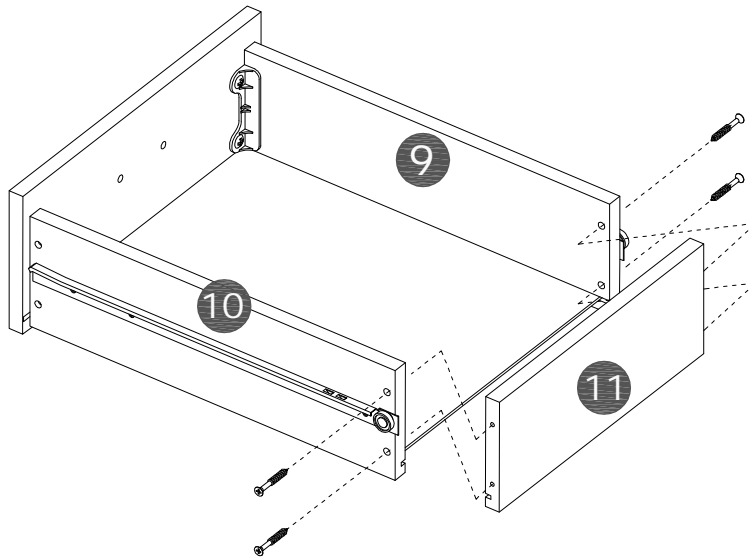


STEP 12



STEP 13

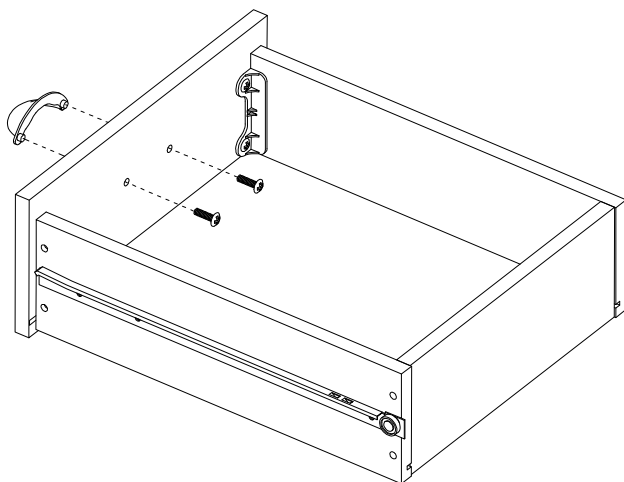
L x4pcs 



STEP 14

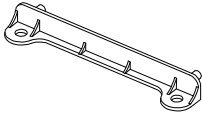
F x1pcs 

G x2pcs 

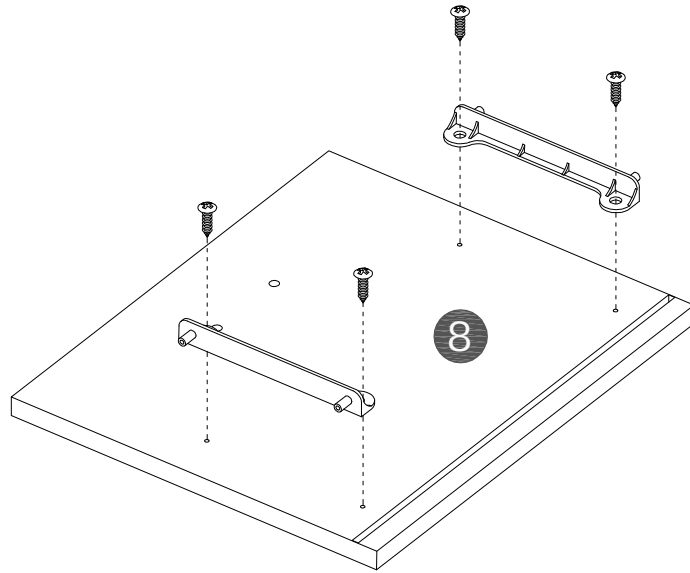
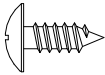


STEP 15

S x2pcs

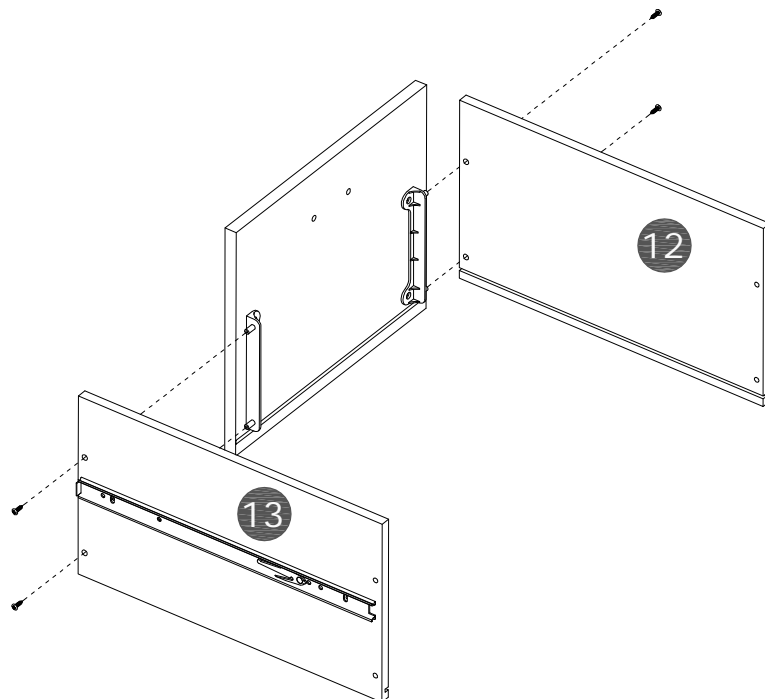
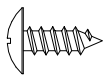


M x4pcs

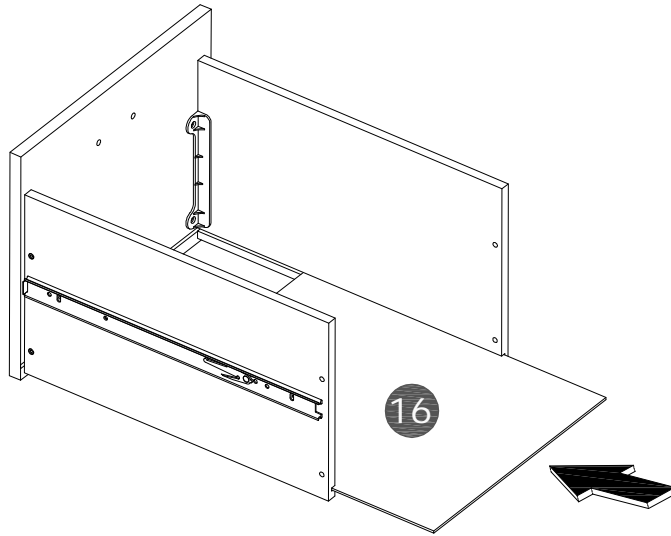


STEP 16

N x4pcs

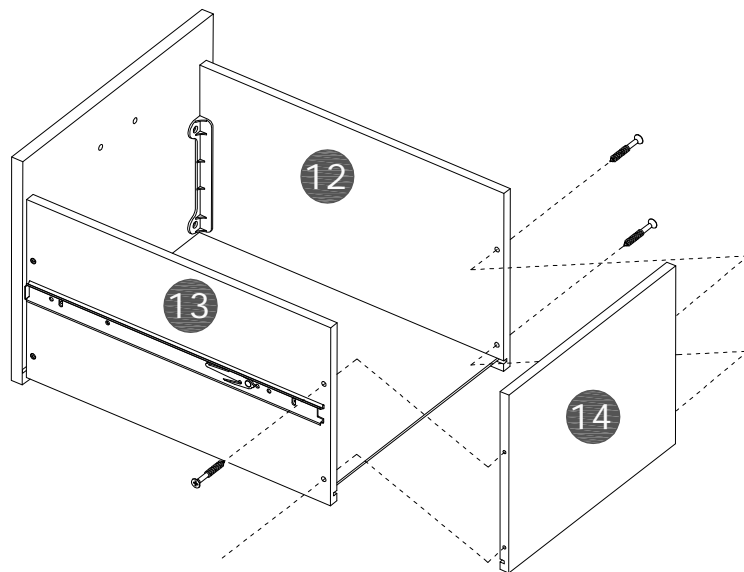


STEP 17



STEP 18

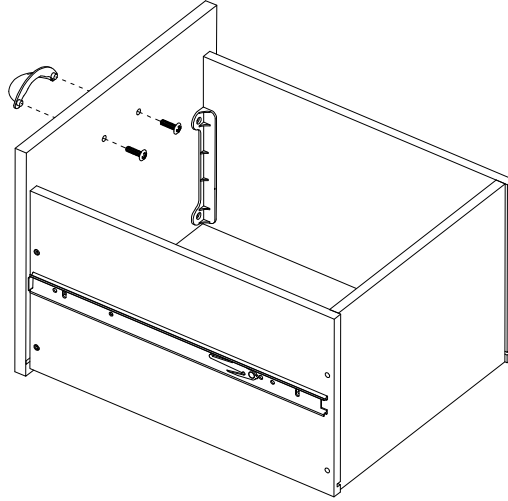
Ⓛ x4pcs 



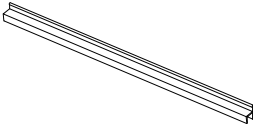
STEP 19

F x1pcs 

G x2pcs 

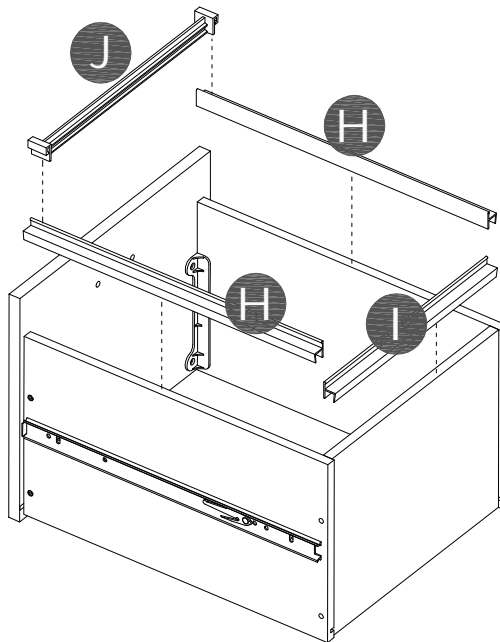


STEP 20

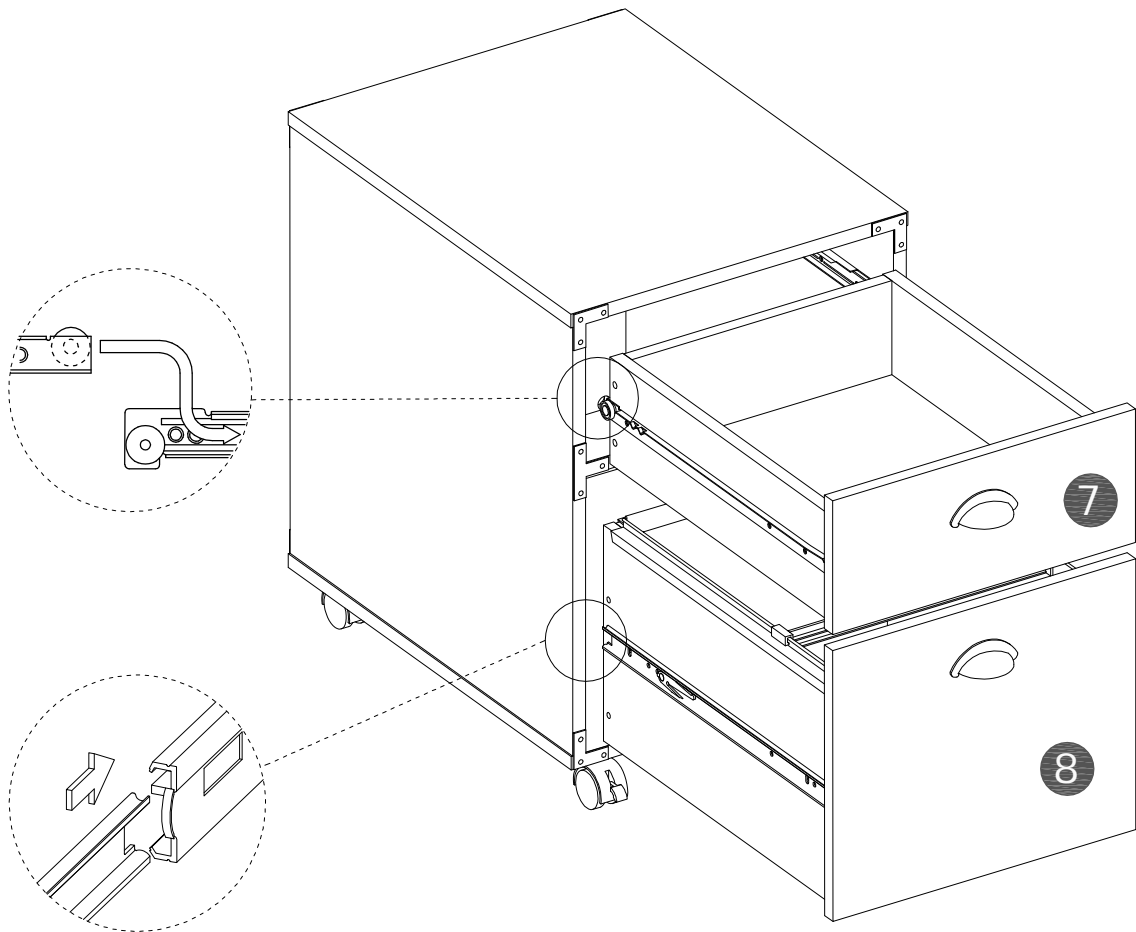
H x2pcs 

I x1pcs 

J x1pcs 



STEP 21



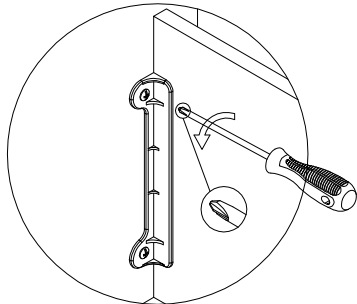
- Move unit to final location.
- Adjust drawer fronts as shown below.

Step1--Loosen screws on back of drawer front brackets as shown.

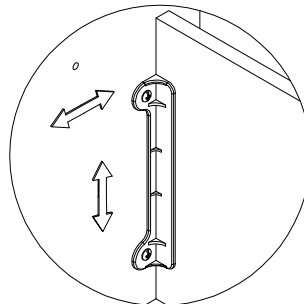
Step2--Position drawer front as required.

Step3--Tighten screws while holding drawer front in position.

STEP 1.



STEP 2.



STEP 3.

