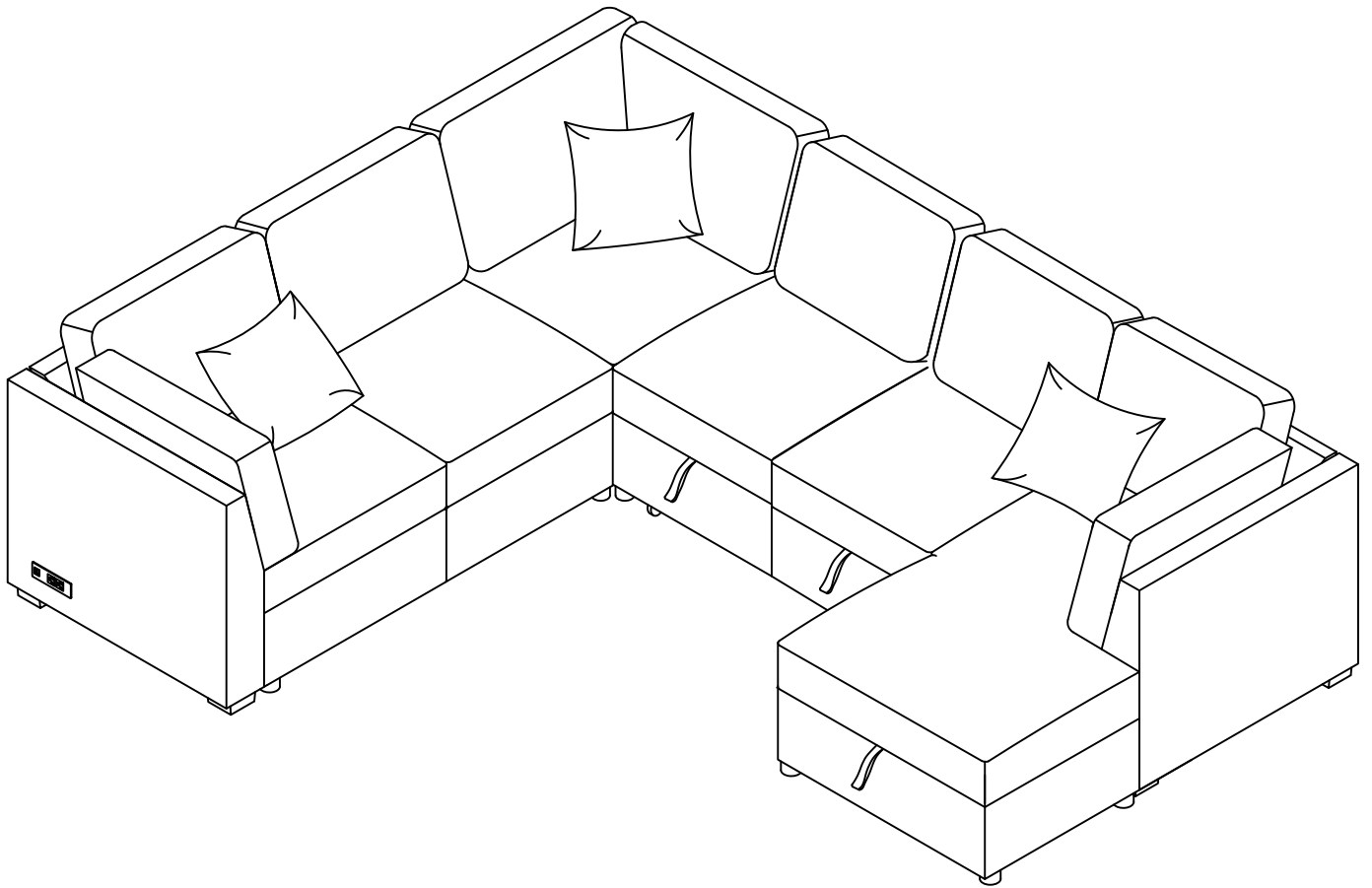












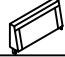


ASSEMBLY INSTRUCTION






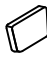


COMPONENT LIST

| NO. | DRAWING | QTY | DESCRIPTION |
|-----|---|-----|---------------|
| A |  | 1 | Loveseat Body |
| F |  | 2 | Back Cushion |
| O |  | 4 | Square Leg |
| P |  | 8 | Bolt |
| Q |  | 1 | Allen key |
| B |  | 4 | Round legs |






COMPONENT LIST

| NO. | DRAWING | QTY | DESCRIPTION |
|-----|--|-----|-----------------------|
| D |  | 1 | Loveseat Body |
| S |  | 2 | Small Cushion |
| F |  | 2 | Back Cushion |
| I |  | 1 | Short Corner Backrest |
| J |  | 1 | Long Corner Backrest |
| R |  | 1 | Pillows |
| B |  | 4 | Round legs |



COMPONENT LIST

| NO. | DRAWING | QTY | DESCRIPTION |
|-----|---|-----|---------------------------|
| H |  | 1 | Corner Frame |
| E |  | 1 | Chaise Backrest |
| F |  | 1 | Back Cushion |
| K |  | 1 | Long Corner Back Cushion |
| L |  | 1 | Short Corner Back Cushion |
| B |  | 4 | Round legs |

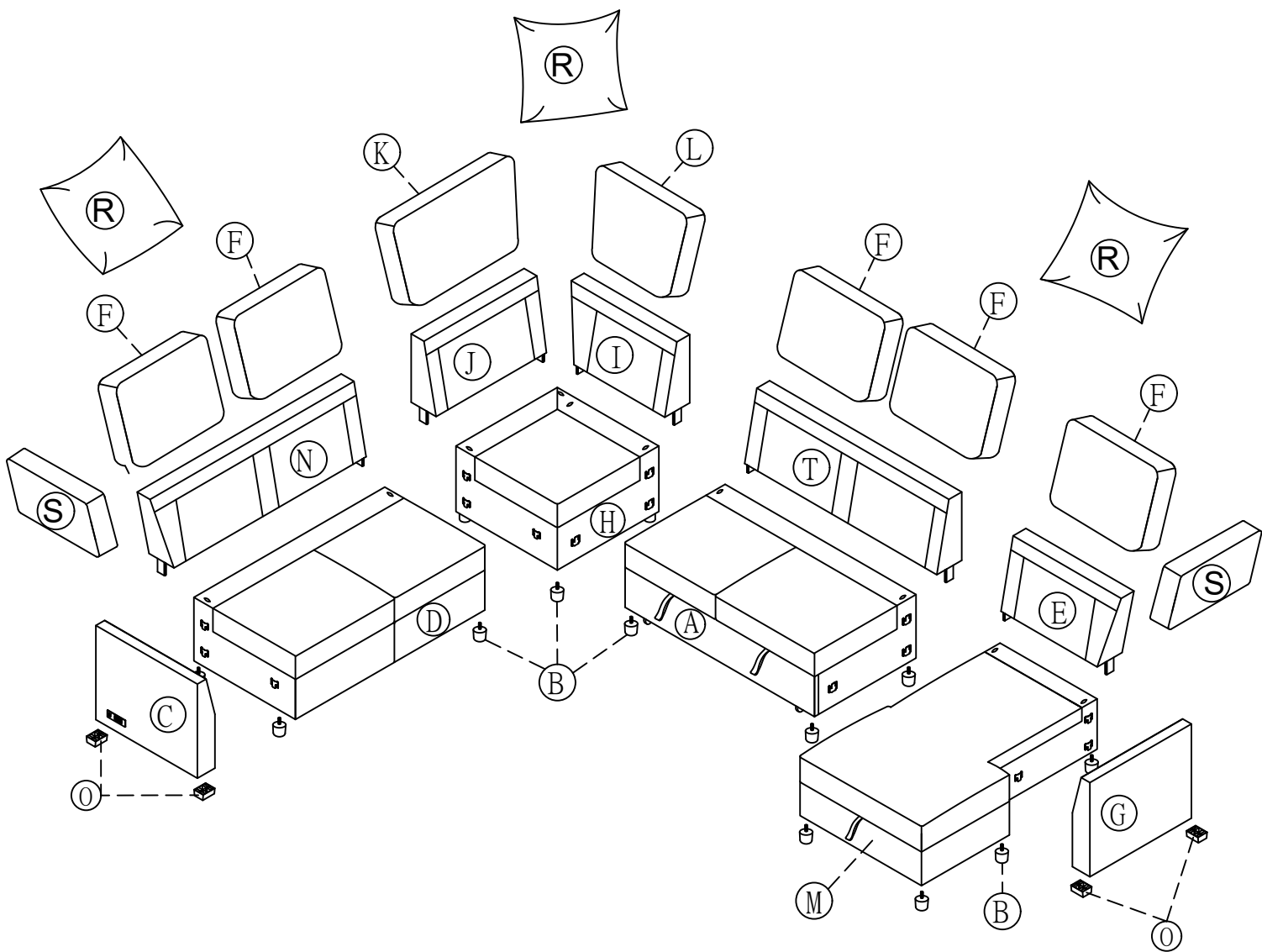
COMPONENT LIST

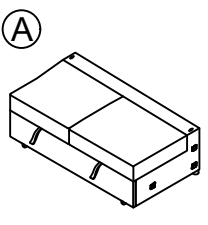
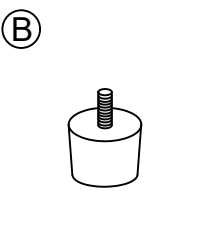
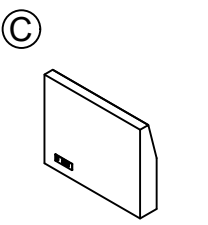
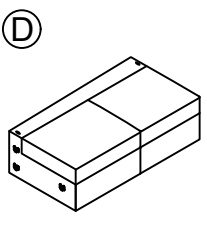
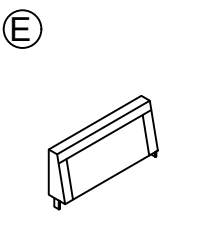
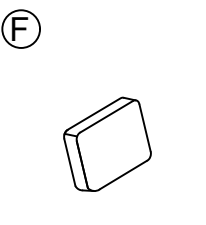
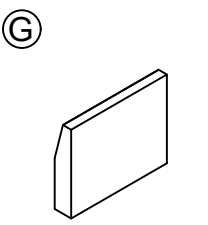
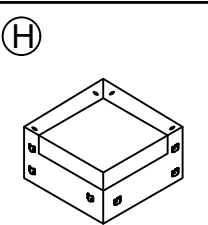
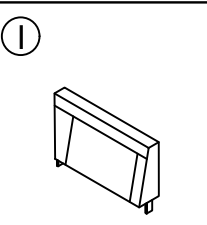
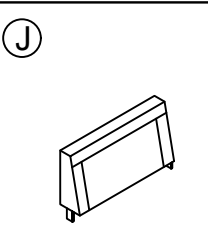
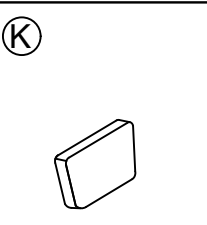
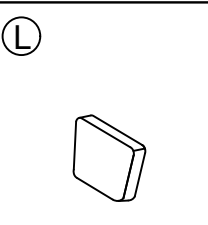
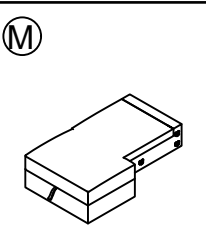
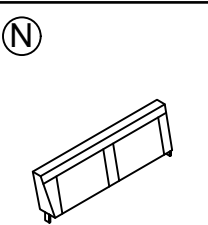
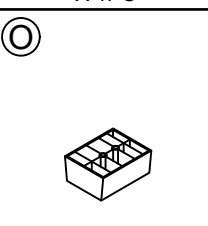
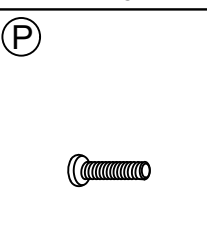
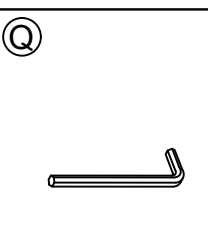
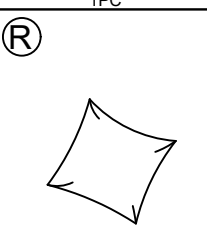
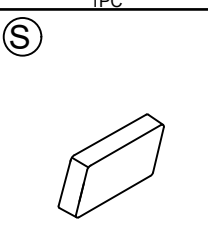
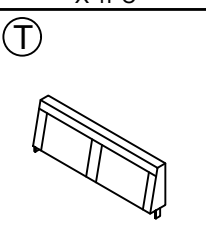
| NO. | DRAWING | QTY | DESCRIPTION |
|-----|---|-----|-------------------|
| M |  | 1 | Chaise Body |
| N |  | 1 | Loveseat Backrest |
| T |  | 1 | Loveseat Backrest |
| B |  | 5 | Round legs |
| R |  | 2 | Pillows |

COMPONENT LIST

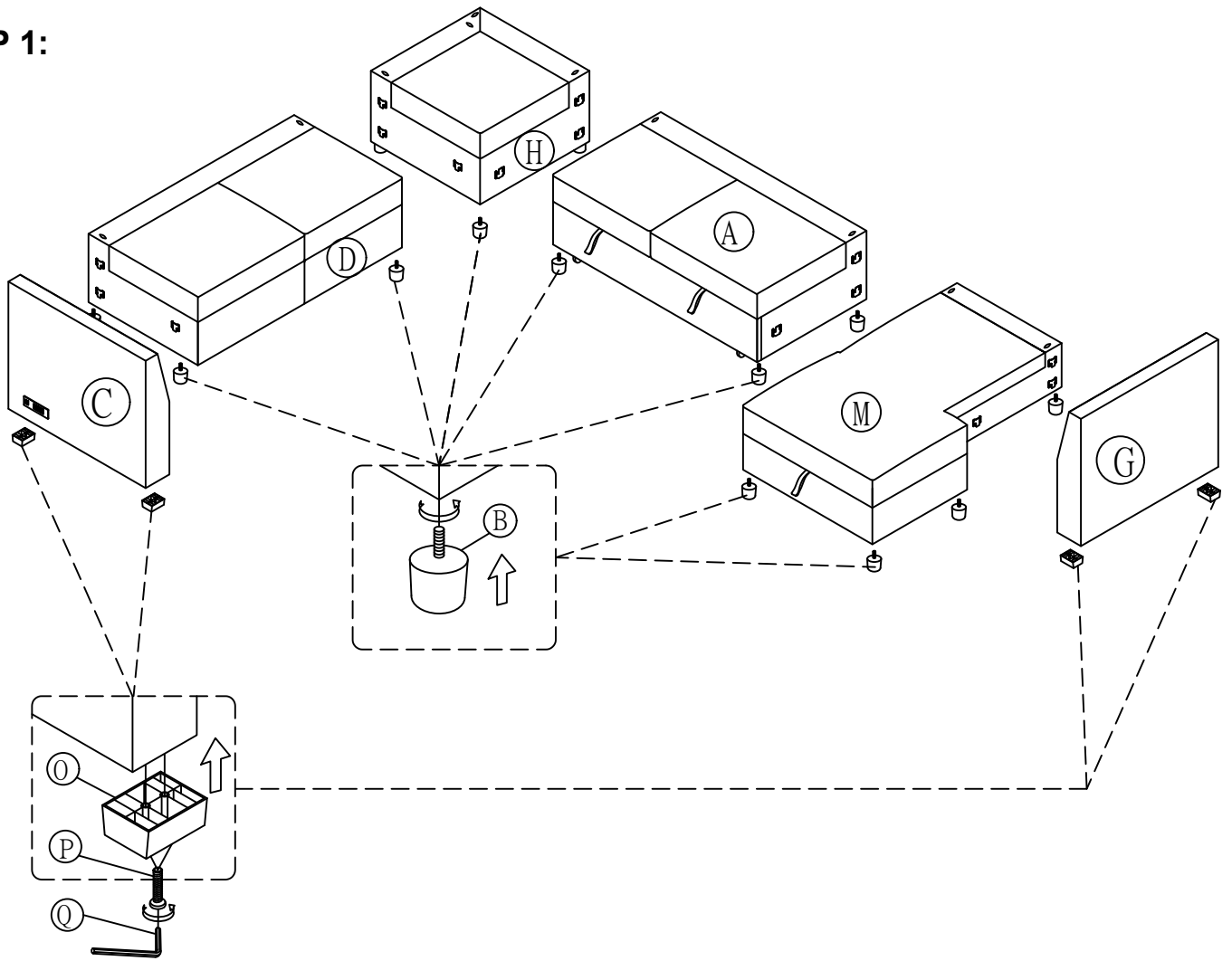
| NO. | DRAWING | QTY | DESCRIPTION |
|-----|---|-----|-------------|
| C |  | 1 | Left Arm |
| G |  | 1 | Right Arm |

PARTS LIST

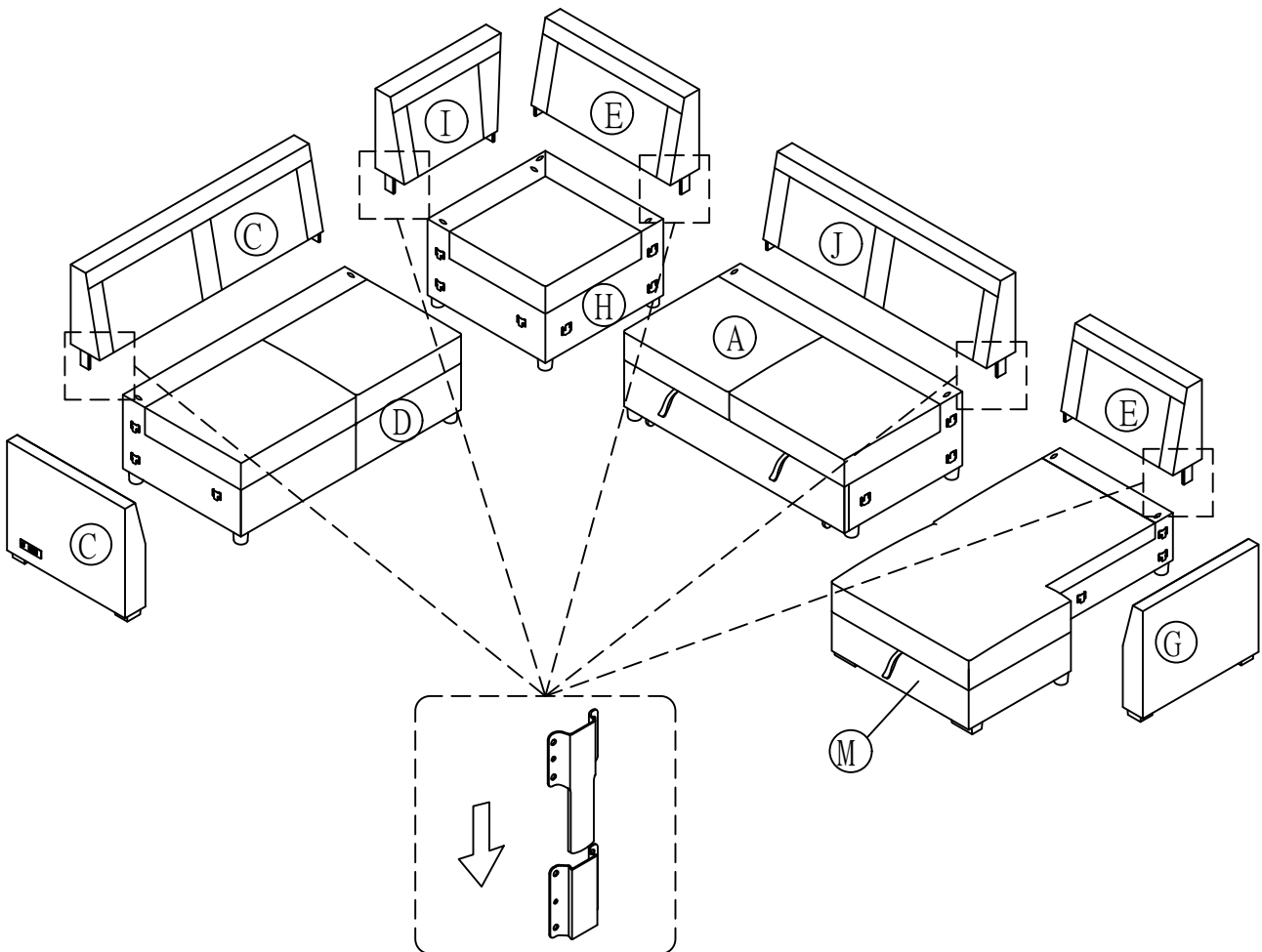


| | | | | | | |
|--|---|---|---|--|---|---|
|  |  |  |  |  |  |  |
| Loveseat Body X 1PC | Round legs X 17PCS | Left Arm X 1PC | Loveseat Body X 1PC | Chaise Backrest X 1PC | Back Cushion X 5PCS | Right Arm X 1PC |
|  |  |  |  |  |  |  |
| Corner Frame X 1PC | Short Corner Backrest X 1PC | Long Corner Backrest X 1PC | Long Corner Back Cushion X 1PC | Short Corner Back Cushion X 1PC | Chaise Body X 1PC | Loveseat Backrest X 1PC |
|  |  |  |  |  |  | |
| Square Leg X 2PCS | Bolt Ø5/16"x40MM X 4 PCS | Allen key X 1PC | Pillows x3pcs | Small Cushion x 2pcs | Loveseat Backrest x 1pc | |

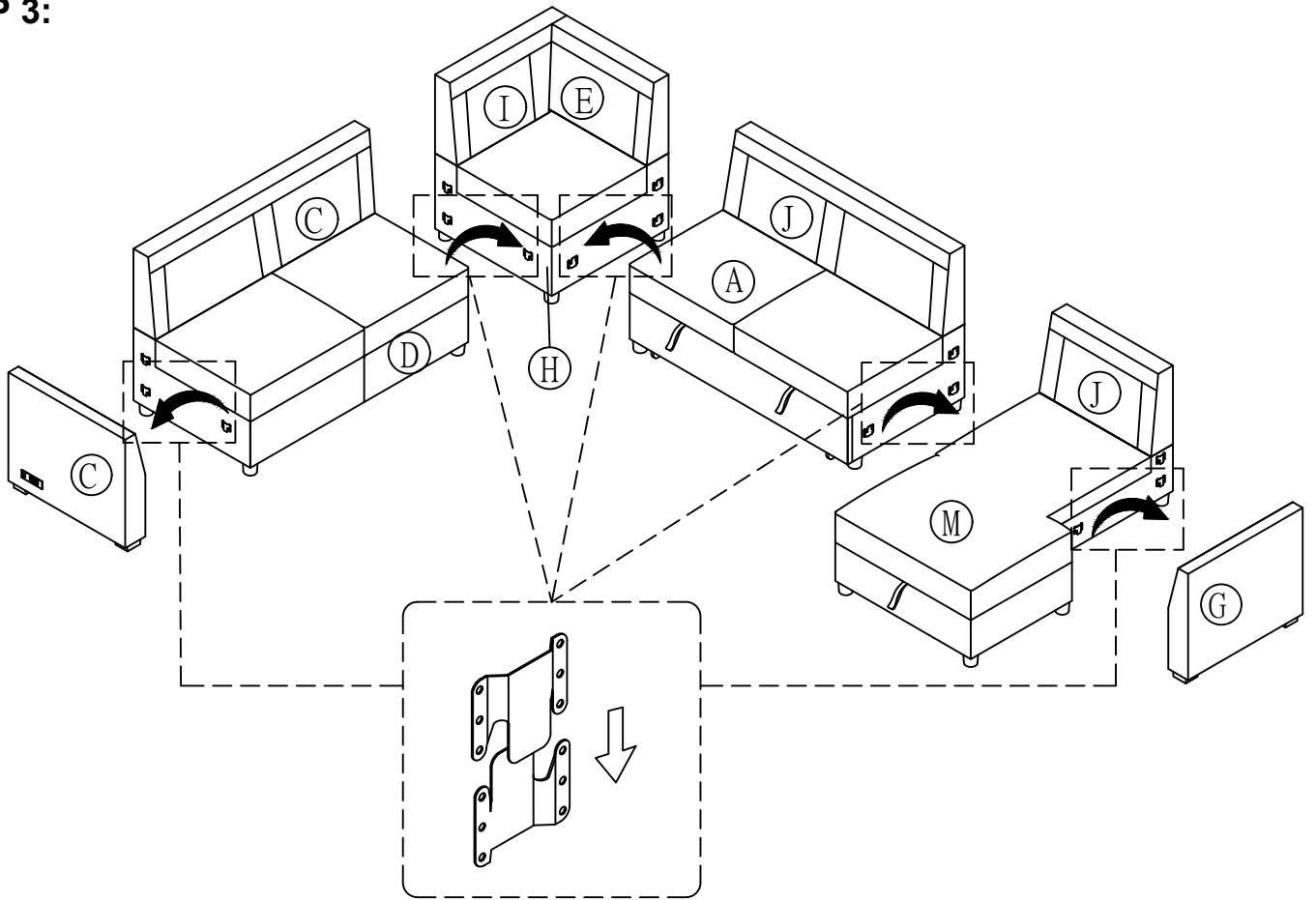
STEP 1:



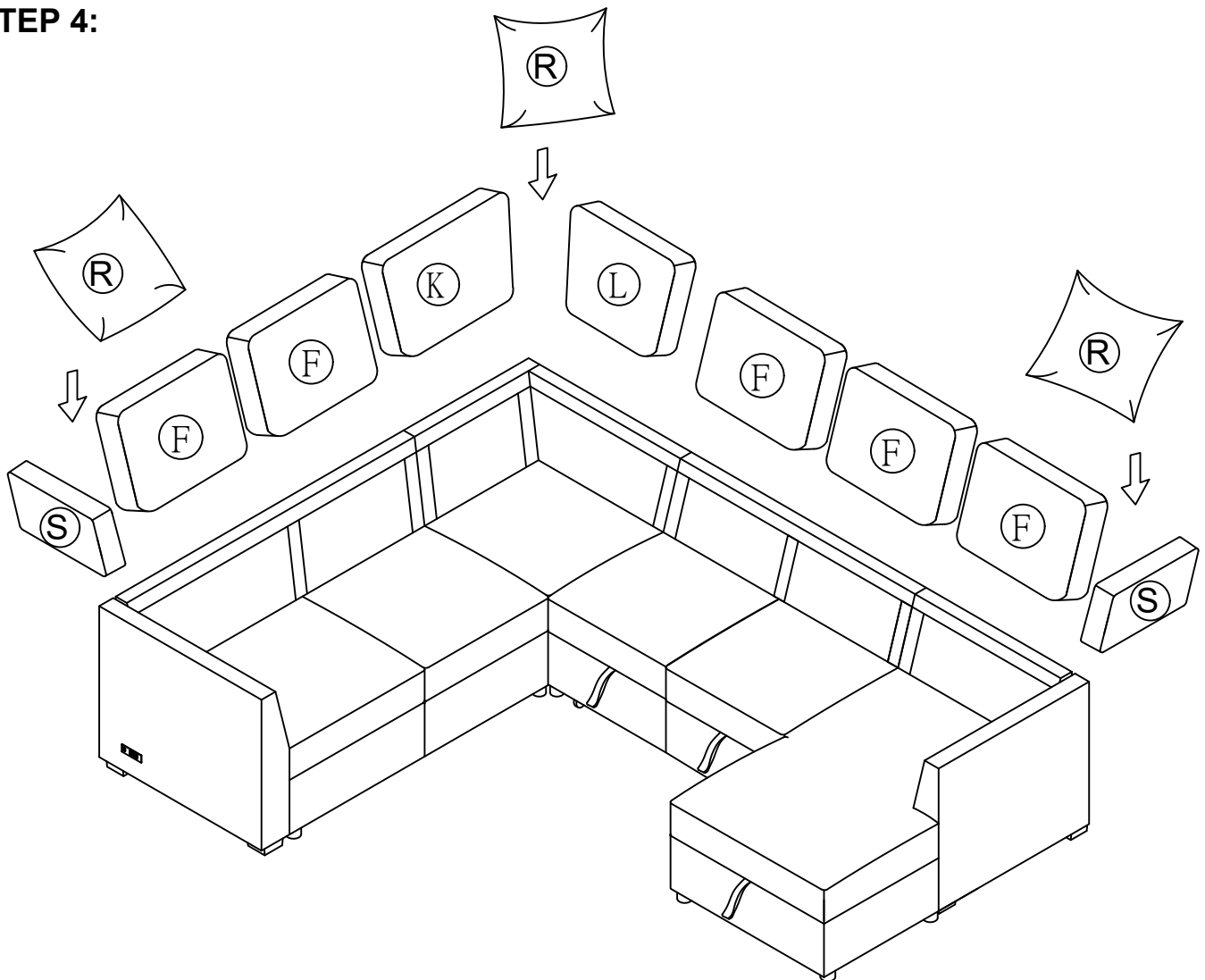
STEP 2:



STEP 3:



STEP 4:



Helpful Hints

- Sectional sofa can transform into a sleeper
- Move your new furniture carefully, with two people lifting and carrying the unit to its new location.
- Your furniture can be disassembled and reassembled to move.
- Clean the product with a soft damp cloth. DO NOT use harsh chemicals or abrasive cleaners.

COMPLETED

